



Aeon CLR® 5 Series

Ceiling Ambient Light Rejecting Ultra-Short Throw EDGE FREE® Fixed Frame Screen

USER'S GUIDE E Type - V1.0

Product Description:

The Aeon CLR® 5 Series is a fixed frame projection screen that uses Elite's EDGE FREE® technology. The EDGE FREE® design resembles a flat panel TV display. The Aeon CLR® 5 includes a micro-thin bezel trim to further enhance the frame appearance and format the picture. The CLR® 5 front projection material consists of a microstructure and multi-layer design to combat the washout effect typically experienced with conventional matte white surfaces. It was formulated to filter and absorb overhead light while directing table-top mounted ultra-short throw projection. It is best for family rooms, educational facilities, conference rooms or any applications in which incident light is a factor.

Maintenance and Care

Dust, dirt and scratches on the projection screen surface will affect the quality and performance of the projection image. Follow the instructions below to properly maintain the screen.

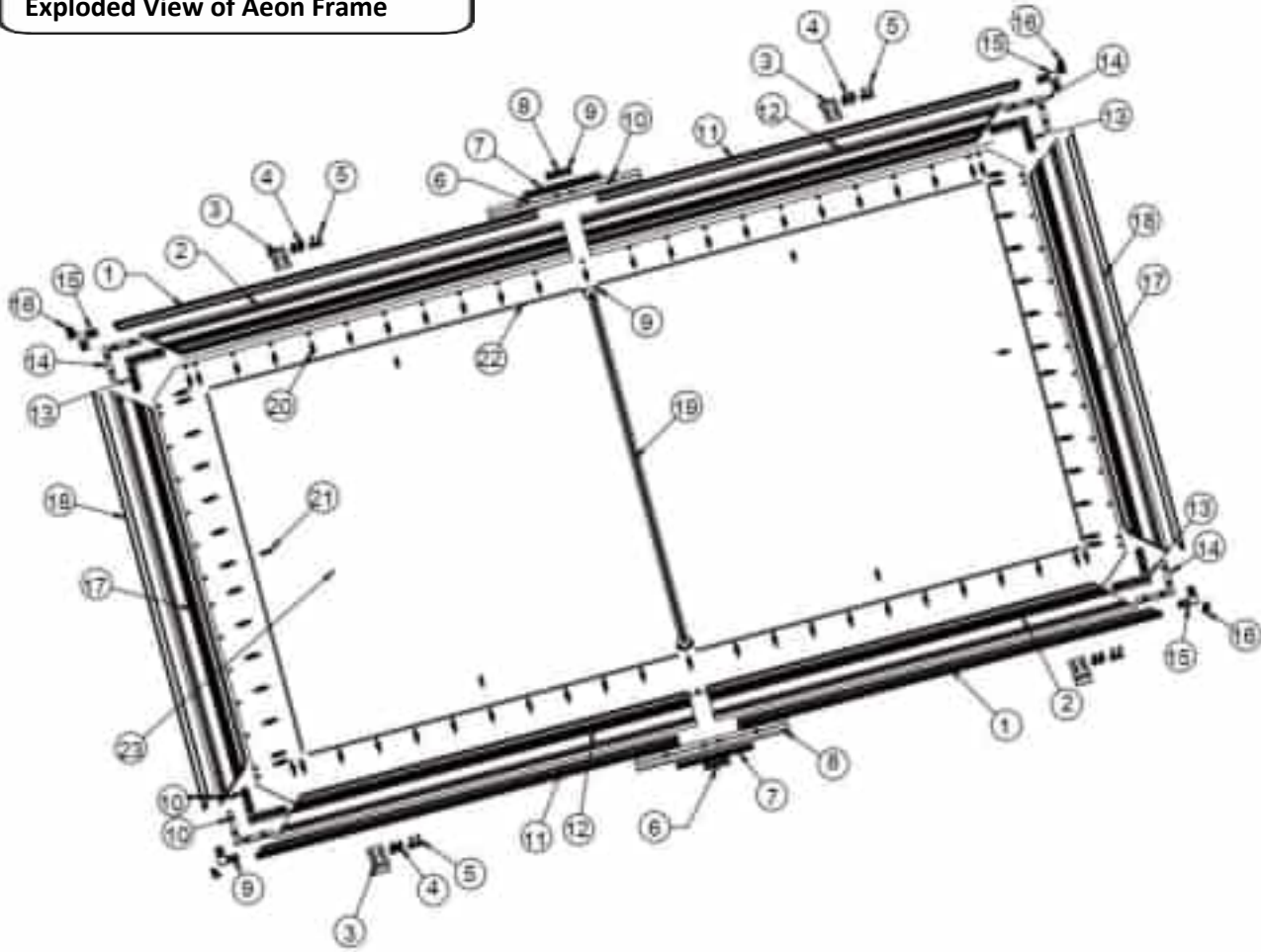
- 1) The screen surface has a horizontal linear structure. DO NOT wipe the screen up and down or in a circular motion. Wipe gently from left to right only.
- 2) Clean the dust on the screen surface with a soft brush or microfiber cloth. A rough/coarse towel or cloth may damage the screen's surface.
- 3) Use a dry dust cleaner blower to remove any dust from the screen material.
- 4) Gently wipe the screen with a lightly moistened white lint free cloth with water or with a neutral detergent (1mL/0.33 oz) mixed with water (1000 ml/33.8 oz).

Notes: *The following precautions should always be taken to avoid damaging the material, which is not covered under warranty.*

- Use a dry microfiber cloth or a soft bristle brush to remove dust from the screen's surface.
- When cleaning, use a damp microfiber cloth with warm water to remove any marks.
- Never rub or apply pressure when cleaning the surface.
- Never attempt to use any chemicals such as acetone, benzene, alcohol, organic solvents or abrasive cleaners to clean the screen surface.

- To avoid damaging the screen, avoid touching it directly with your fingers, pens/pencils or any other sharp or abrasive objects.
- To preserve material integrity and ensure long-term flatness of the screen, please refrain from installing it in locations exposed to direct sunlight or using it as a substitute for a window curtain. Heat will cause the material to expand, causing waves and ripples to develop. Extended exposure to solar radiation may lead to material degradation, which is not covered under the terms of our standard warranty.

Exploded View of Aeon Frame



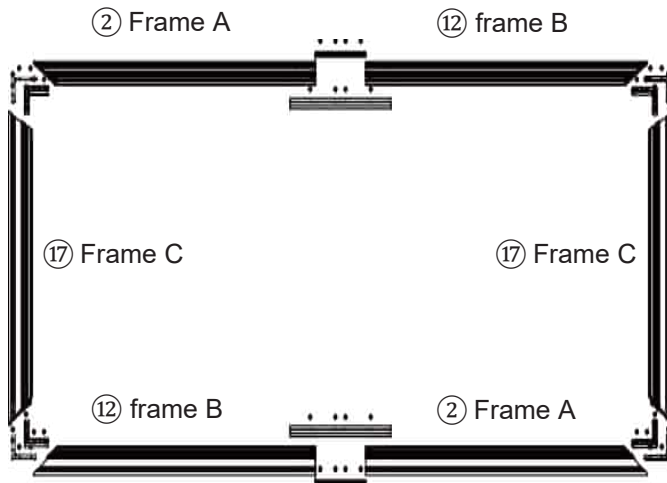
Make sure all parts are included before commencing frame assembly.

Hardware and Parts List

| | | | |
|------------------------|------------------------|------------------|-------------------|
| ① Edge Trim A | ⑦ Long Center Joints b | ⑬ Elbow Joints a | ⑲ Support bar |
| ② Frame A | ⑧ Short Center Joints | ⑭ Elbow Joints b | ⑳ Spring a |
| ③ Wall Bracket | ⑨ M4x4 Screws | ⑮ Elbow Joints C | ㉑ Spring b |
| ④ Anchor | ⑩ M5x6 Screws | ⑯ Corner Cover | ㉒ Fiberglass rod |
| ⑤ Wood Screws | ⑪ Edge Trim B | ⑰ Frame C | ㉓ Screen material |
| ⑥ Long Center Joints a | ⑫ Frame B | ⑱ Edge Trim C | |

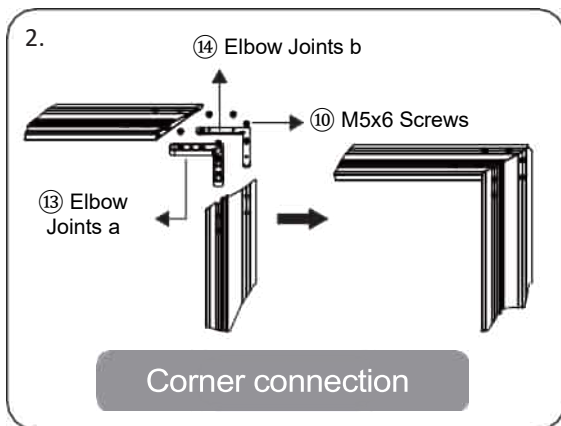
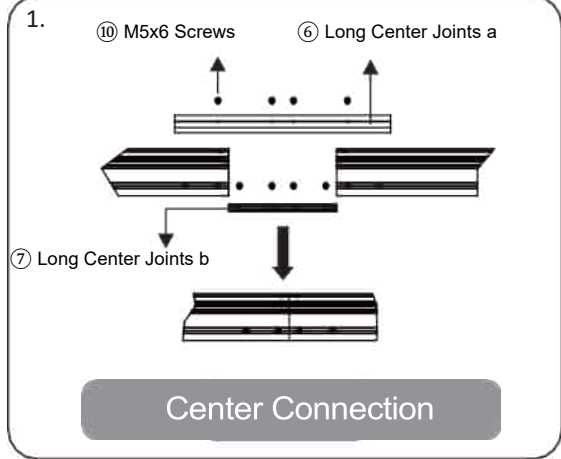
SCREEN INSTALLATION

1. Frame Assembly

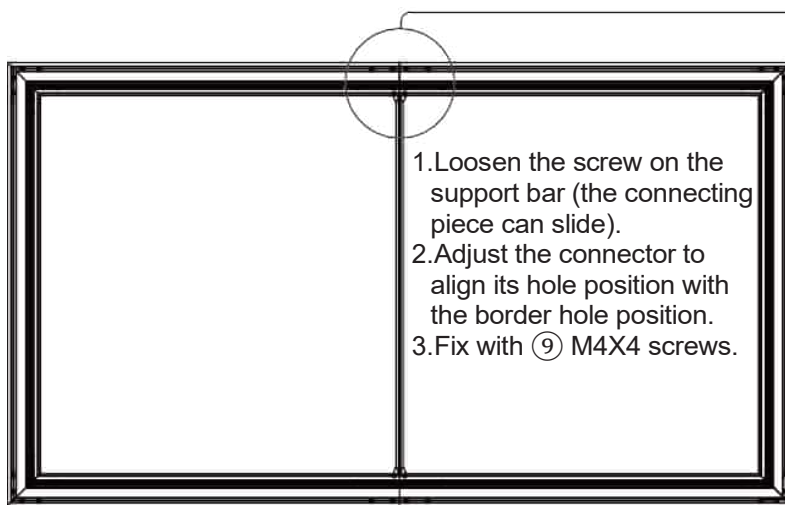


Step 1: Insert the long center joints (a) into each half horizontal frame (A/B) and secure with the screws. These will be the top/bottom frames.

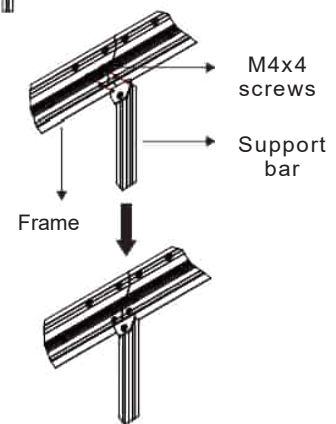
Step 2: Insert the elbow joints into frame (C) and insert the other end of the elbow joints to the top/bottom frames and secure with the screws.



2. Center Support Bar Installation



1. Loosen the screw on the support bar (the connecting piece can slide).
2. Adjust the connector to align its hole position with the border hole position.
3. Fix with 9 M4X4 screws.



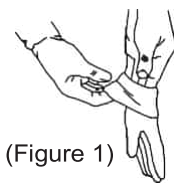
Note: the support bar is mounted in the upper and lower border splicing direction as shown on the right

3. Screen Material Installation

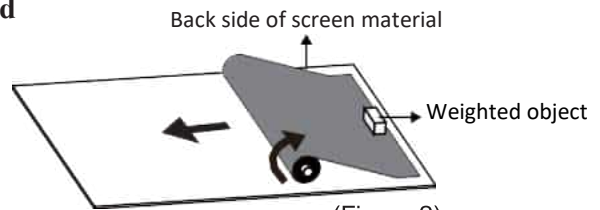
ATTENTION: Put the gloves on when handling the screen material to avoid touching it with your bare hands.

※ Unrolling the screen material Two people recommended

1. Put on the supplied pair of white gloves.
This is to avoid leaving oily handprints on the screen surface which are not removable.
2. Remove the screen material from the tube and place a small suitable weighted object at the end of the material.
3. Lay the material face down, two people carefully lift the rolled end and slowly rotate the material clockwise.
4. Insert the corresponding fiberglass rods on thru the sleeves on the edges of the material.

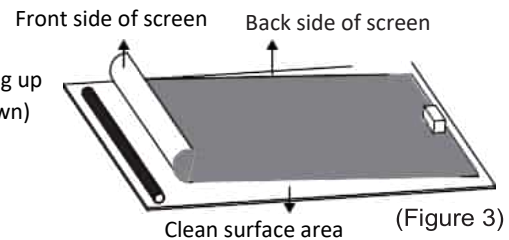


(Figure 1)

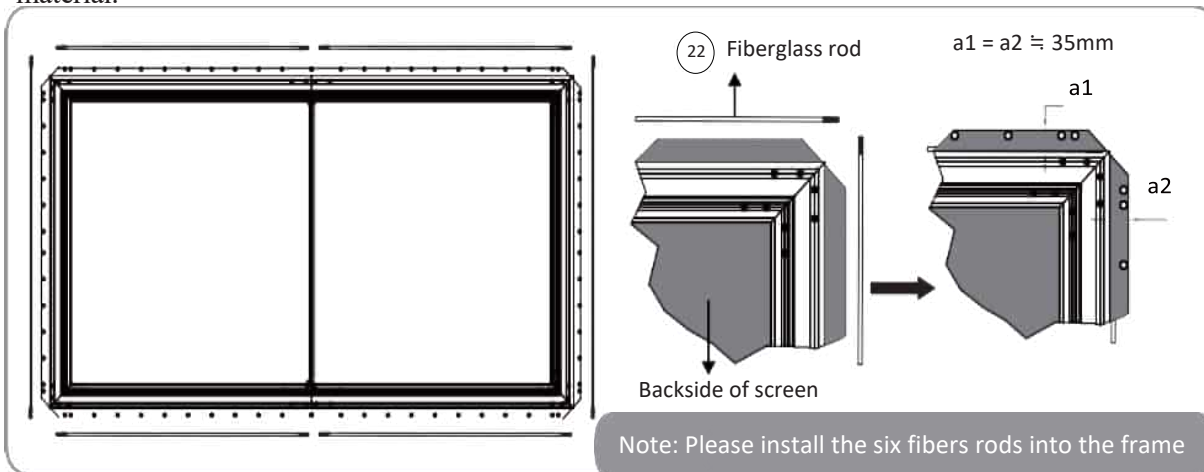


(Figure 2)

Note: Backside facing up (frontside facing down)

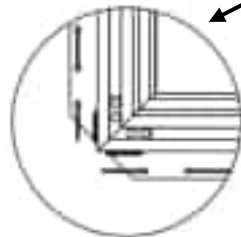
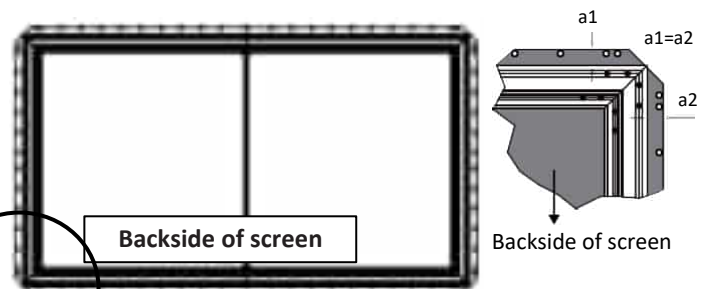


(Figure 3)



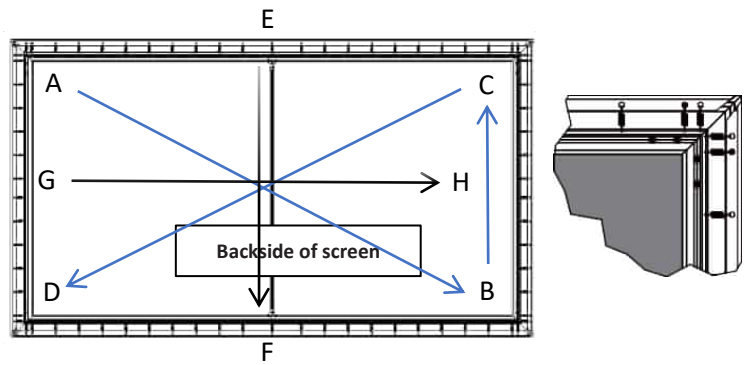
Note: Please install the six fibers rods into the frame

1. Carefully and gently place the assembled frame on top of the screen material.
DO NOT allow the angle edge of the frame to come in direct contact with the material to avoid puncturing it.
2. Adjust the distance between the edge of the frame and the material ($a1 = a2$) to 1.4"/35 mm



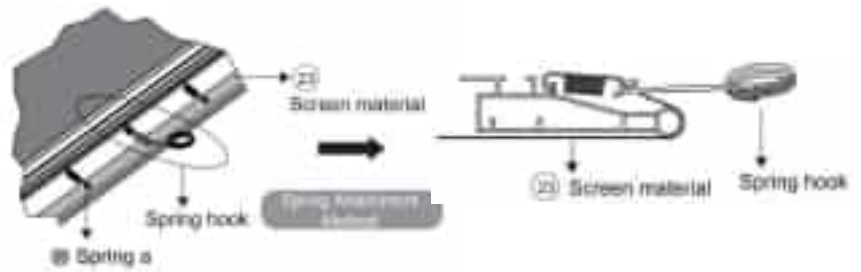
***Make sure the frame corners are positioned in the marked areas of the material.**

3. Begin by securing the four corners with the springs to the frame in A-B-C-D order as illustrated below, when "Person 1" is attaching the first 4 springs on corner "A" the other person should do exactly the same on corner "B" at the same time, and then the same on corners "C" and "D". Finally, attach 3 spring in each center point locations "E" and "F", both at the same time (2 people) and then the same on "G" and "H".

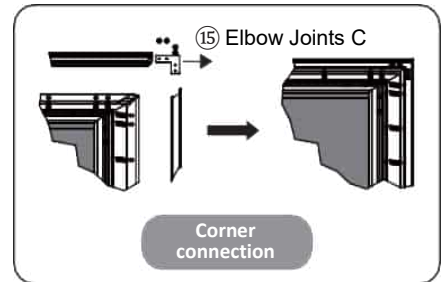
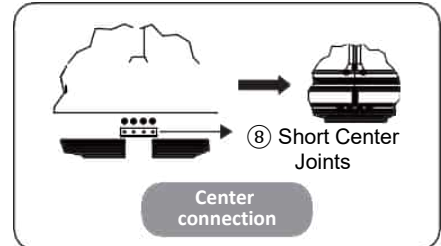
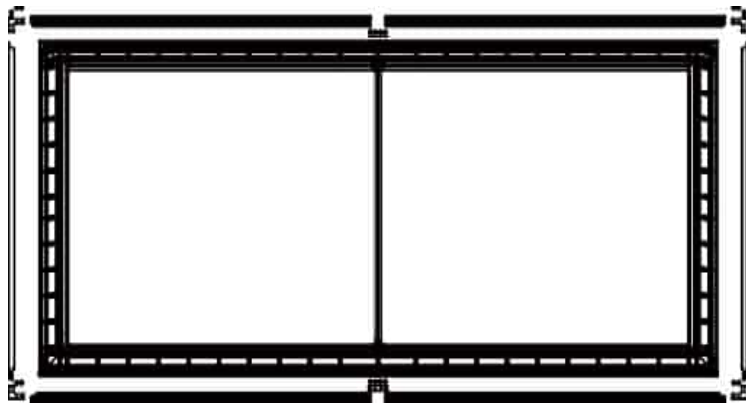


Spring Attachment Method

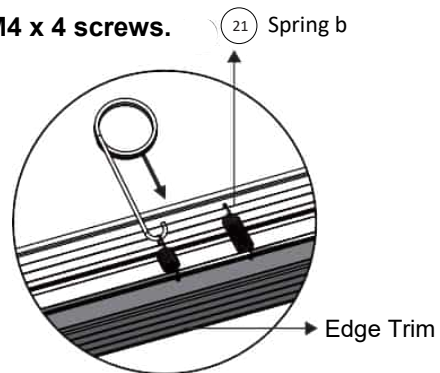
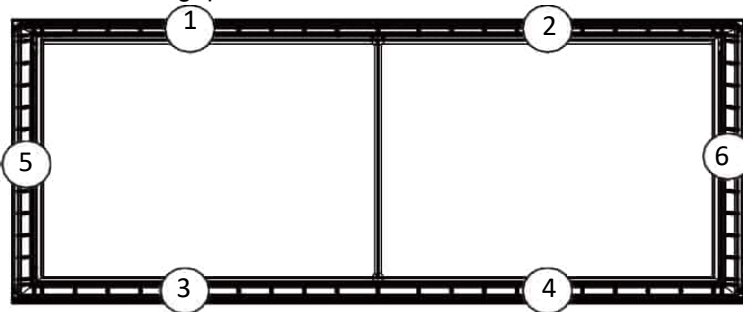
First hook one end of the spring in the frame slot, then hold the screen around the frame to pull, and finally use the spring hook to pull the spring hook in the screen hole.



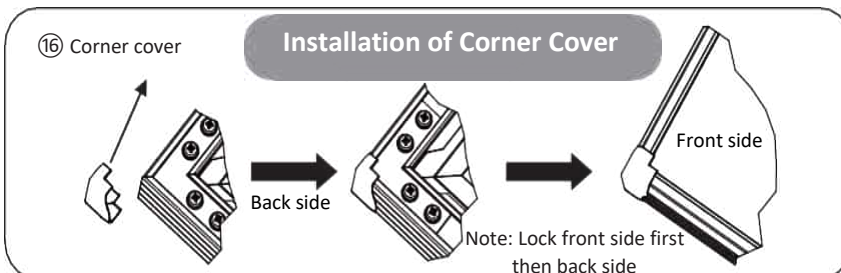
4. Bezel Trim Frame Assembly/Installation



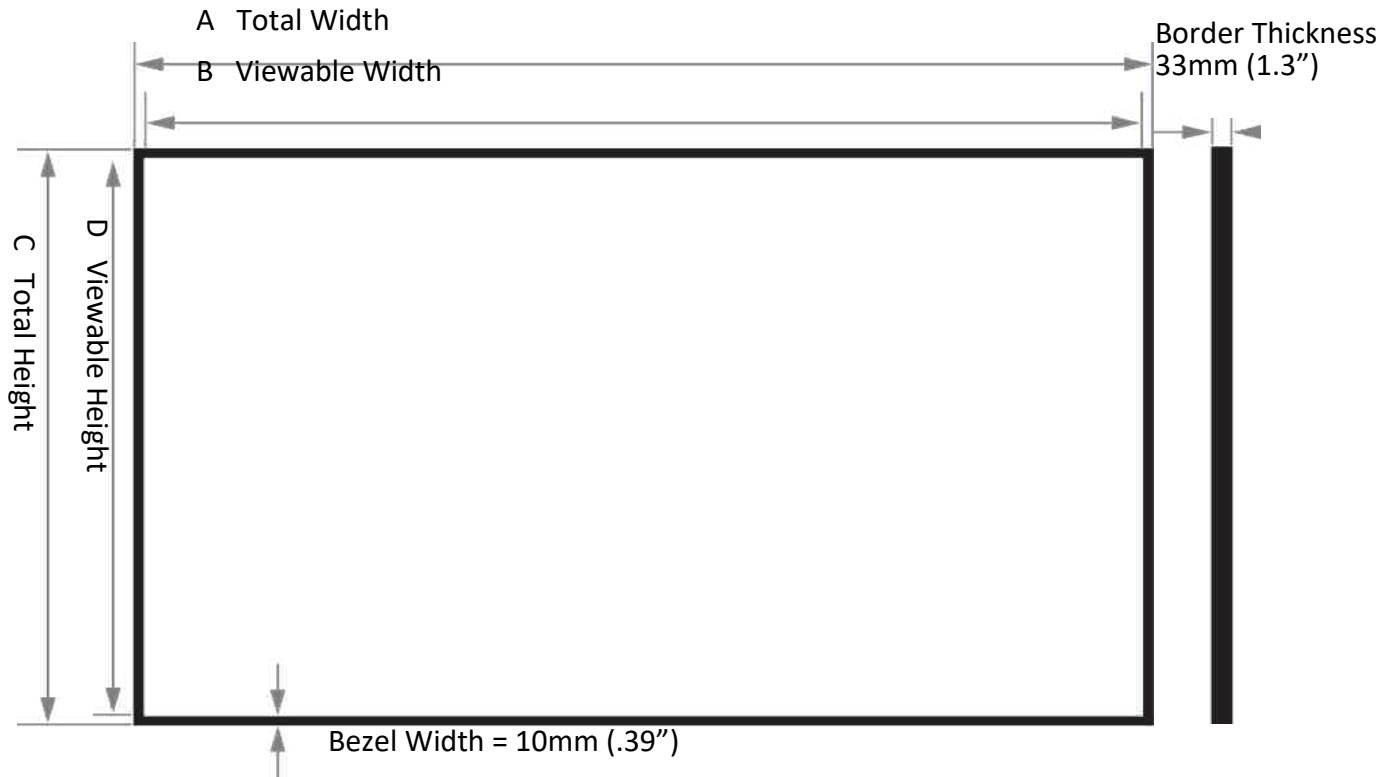
1. Connect **Edge**
Trims A&B to form the top/bottom trims with the **⑧ Short Center Joints**, and then insert them on the top/bottom frames.
2. Connect the **side edge trims C** with the top/bottom edge trim with **⑮ Elbow Joints C**.
3. Adjust the trim so that the top and bottom trim pieces are touching and show no gaps on the corners. Then fasten them with the **⑨ M4 x 4 screws**.



4. Attach a **⑳ spring b** on the middle of each edge trim (1-6) to the frame as shown in the illustration.
5. Install the **⑯ corner covers** on the four corners of the edge trim.



5. Product Dimensions



Note: The listed measurements are for general reference only.

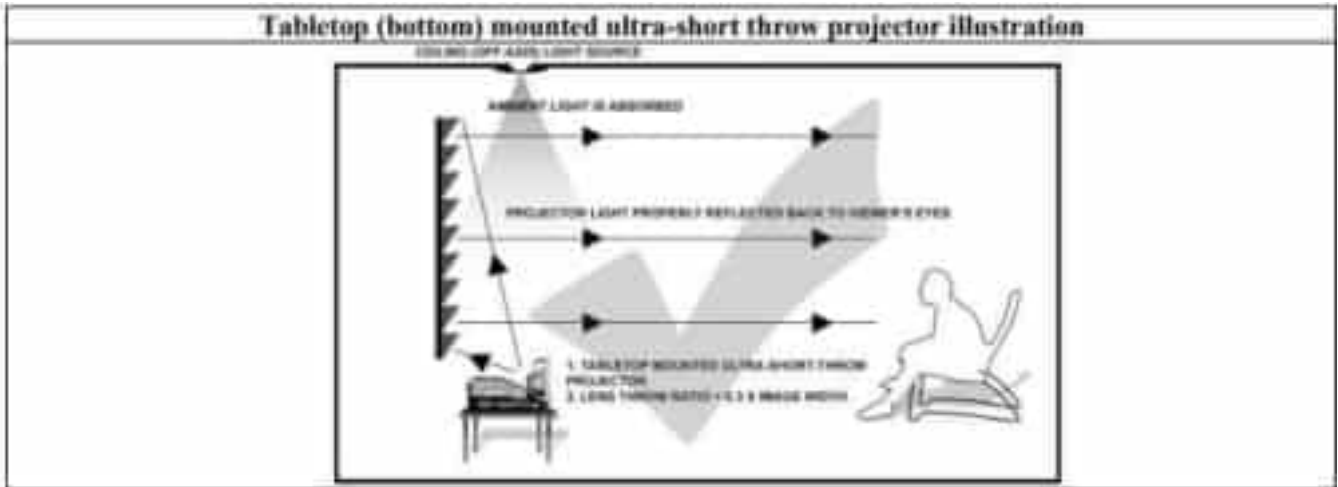
| Screen size | A | B | C | D |
|-------------|------------------|------------------|-----------------|-----------------|
| 100" | 87.9" / 2235 mm | 87.2" / 2215 mm | 49.8" / 1266 mm | 49.1" / 1246 mm |
| 110" | 96.7" / 2456 mm | 95.9" / 2436 mm | 54.7" / 1391 mm | 53.9" / 1371 mm |
| 125" | 109.7" / 2788 mm | 108.9" / 2768 mm | 62.1" / 1578 mm | 61.3" / 1558 mm |
| 135" | 118.5" / 3010 mm | 117.7" / 2990 mm | 67.0" / 1702 mm | 66.2" / 1682 mm |
| 138" | 121.1" / 3076 mm | 120.3" / 3056 mm | 68.5" / 1740 mm | 67.7" / 1720 mm |
| 150" | 131.5" / 3342 mm | 130.7" / 3322 mm | 74.3" / 1889 mm | 73.5" / 1869 mm |

*Tolerance may be $\pm 1''$

NOTICE TO INSTALLER

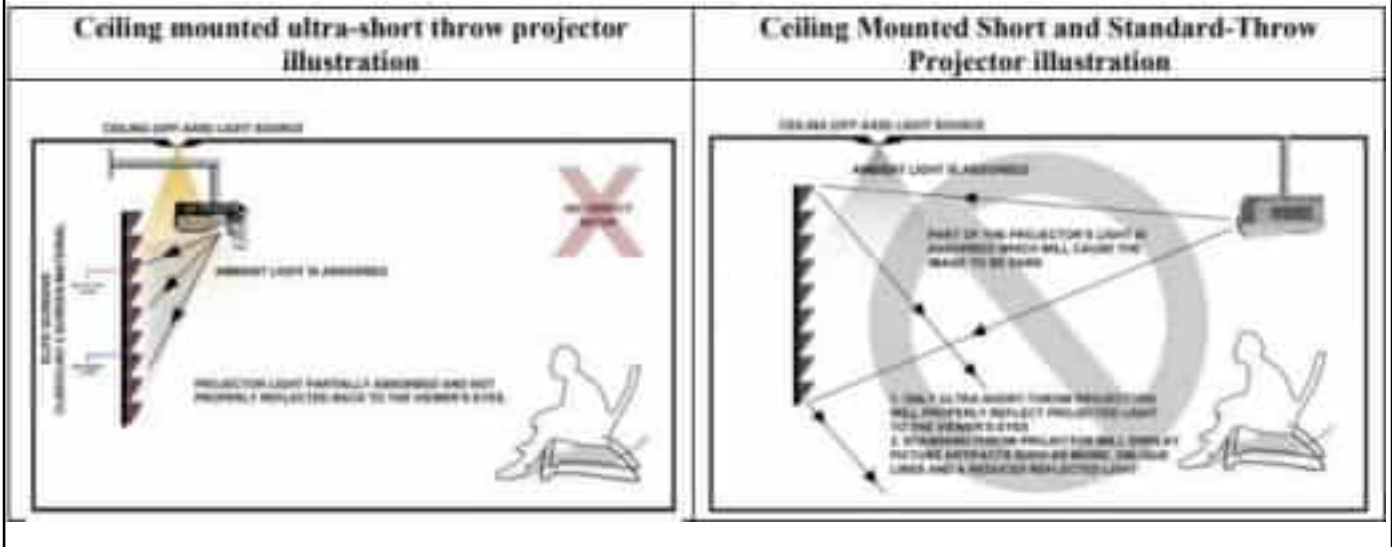
The CLR® 5 is exclusively for table-mounted ultra-short throw projectors.

PROPER PROJECTOR PLACEMENT



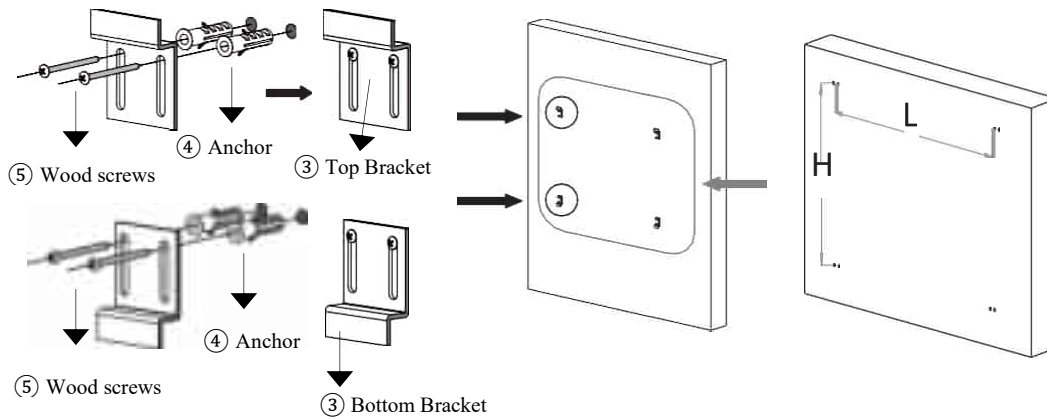
IMPROPER PROJECTOR PLACEMENT

Overhead placement or a standard projector will make the image very dark, on account of the screen's absorbent layer deflecting light that is not aligned with its reflective angle.



6. Wall installation

Drill a hole on the wall according to the distance on the chart below distance for your screen. Place the bracket on the holes and secure them using a Phillips screwdriver. If not installing into a structural wood stud, use a wall anchor, then screw in the M5x50 screws. Make sure the brackets are leveled.



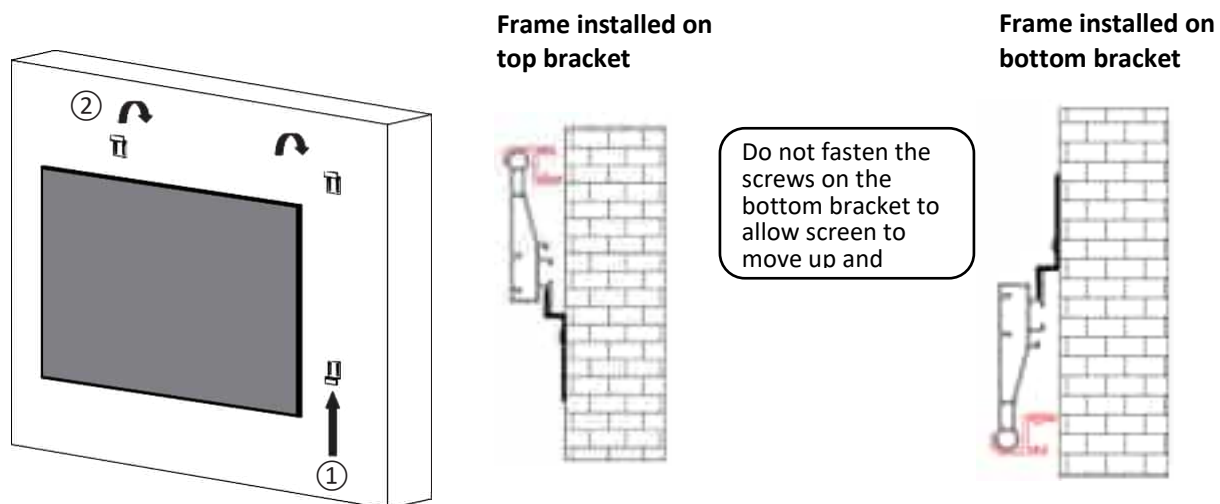
✘ For models not in the list, please calculate according to the algorithm

$H = \text{frame height} - 182\text{mm}$, $L = \text{frame width} - (1000\text{mm} \sim 600\text{mm})$.

| Screen size | 100" | 110" | 125" | 135" | 138" | 150" |
|------------------------------|--------------|--------------|--------------|--------------|--------------|--------------|
| L = Left/Right hole distance | 59.1" / 1500 | 70.9" / 1800 | 78.7" / 2000 | 78.7" / 2000 | 78.7" / 2000 | 98.4" / 2500 |
| H = Top/Bottom hole distance | 42.6" / 1083 | 47.5" / 1208 | 54.9" / 1395 | 19.8" / 1519 | 61.3" / 1558 | 67.2" / 1706 |

Hanging the screen:

- Two people hold the screen and align it first with the bottom bracket. The bracket lip must be inserted in the frame's channel per example below.
- Then pull up the screen on the top bracket and adjust the screen left to right as needed.



For an Elite Screens contact and technical support in your area, please visit www.elitescreens.com