

LCD Video Projector

Operating Instructions _____ **GB**

Mode d'emploi _____ **FR**

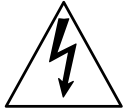
Manual de instrucciones _____ **ES**

VPL-VW10HT

WARNING

To prevent fire or shock hazard, do not expose the unit to rain or moisture.

To avoid electrical shock, do not open the cabinet. Refer servicing to qualified personnel only.



This symbol is intended to alert the user to the presence of uninsulated “dangerous voltage” within the product’s enclosure that may be of sufficient magnitude to constitute a risk of electric shock to persons.



This symbol is intended to alert the user to the presence of important operating and maintenance (servicing) instructions in the literature accompanying the appliance.

WARNING

This equipment has been tested and found to comply with the limits for a Class B digital device, pursuant to Part 15 of the FCC Rules. These limits are designed to provide reasonable protection against harmful interference in a residential installation. This equipment generates, uses, and can radiate radio frequency energy and, if not installed and used in accordance with the instructions, may cause harmful interference to radio communications. However, there is no guarantee that interference will not occur in a particular installation. If this equipment does cause harmful interference to radio or television reception which can be determined by turning the equipment off and on, the user is encouraged to try to correct the interference by one or more of the following measures:

- Reorient or relocate the receiving antenna.
- Increase the separation between the equipment and receiver.
- Connect the equipment into an outlet on a circuit different from that to which the receiver is connected.
- Consult the dealer or an experienced radio/TV technician for help.

You are cautioned that any changes or modifications not expressly approved in this manual could void your authority to operate this equipment.

For the customers in Europe

This product with the CE marking complies with both the EMC Directive (89/336/EEC) and the Low Voltage Directive (73/23/EEC) issued by the Commission of the European Community.

Compliance with these directives implies conformity to the following European standards:

- EN60950: Product Safety
- EN55103-1: Electromagnetic Interference (Emission)
- EN55103-2: Electromagnetic Susceptibility (Immunity)

This product is intended for use in the following Electromagnetic Environment(s):

E1 (residential), E2 (commercial and light industrial), E3 (urban outdoors) and E4 (controlled EMC environment, ex. TV studio).

For the customers in Canada

This Class B digital apparatus complies with Canadian ICES-003.

For the customers in the United Kingdom

WARNING

THIS APPARATUS MUST BE EARTHED

IMPORTANT

The wires in this mains lead are coloured in accordance with the following code:

Green-and-Yellow: Earth
Blue: Neutral
Brown: Live

As the colours of the wires in the mains lead of this apparatus may not correspond with the coloured markings identifying the terminals in your plug proceed as follows:

The wire which is coloured green-and-yellow must be connected to the terminal in the plug which is marked by the letter E or by the safety earth symbol \perp or coloured green or green-and-yellow.

The wire which is coloured blue must be connected to the terminal which is marked with the letter N or coloured black.

The wire which is coloured brown must be connected to the terminal which is marked with the letter L or coloured red.

Voor de klanten in Nederland



Bij dit product zijn batterijen geleverd.
Wanneer deze leeg zijn, moet u ze niet weggooien maar inleveren als KCA.

The socket-outlet should be installed near the equipment and be easily accessible.

Warning on power connection

Use the proper power cord for your local power supply.

	The United States, Canada		Continental Europe		UK, Ireland, Australia, New Zealand	Japan
Plug type	VM0233	290B	YP-12A	COX-07	— ¹⁾	VM1296
Female end	VM0089	386A	YC-13B	COX-02	VM0310B	VM10505
Cord type	SJT	SJT	H05VV-F	H05VV-F	N13237/CO-228	HVCTF
Rated Voltage & Current	10A/125V	10A/125V	10A/250V	10A/250V	10A/250V	13A/125V
Safety approval	UL/CSA	UL/CSA	VDE	VDE	VDE	DENTORI

1) Use the correct plug for your country.

Table of Contents

Overview

Precautions	7 (GB)
Features	8 (GB)
Location and Function of Controls	9 (GB)
Front/Left Side	9 (GB)
Rear/Right Side/Bottom	9 (GB)
Control panel	11 (GB)
Connector panel	12 (GB)
Remote Commander	13 (GB)

Setting up and projecting

Installing the Projector	14 (GB)
Connecting	15 (GB)
Connecting with a VCR/15k RGB/Component/ Progressive Component Equipment	15 (GB)
Connecting with a Computer	16 (GB)
Selecting the Menu Language	17 (GB)
Projecting	18 (GB)

Adjustments and settings using the menu

Using the MENU	21 (GB)
The PICTURE CTRL Menu	22 (GB)
The INPUT SETTING Menu	23 (GB)
The SET SETTING Menu	27 (GB)
The INSTALL SETTING Menu	27 (GB)

Installation

Installation Examples	29 (GB)
Floor Installation	29 (GB)
Ceiling Installation	30 (GB)
Notes for Installation	32 (GB)
Unsuitable Installation	32 (GB)
Unsuitable Conditions for Use	32 (GB)

Maintenance

Maintenance	34 (GB)
Replacing the Lamp	34 (GB)
Replacing the Air Filter	35 (GB)
Troubleshooting	36 (GB)

Other

Specifications	38 (GB)
Index	42 (GB)

Precautions

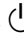
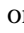
On safety

- Check that the operating voltage of your unit is identical with the voltage of your local power supply.
- Should any liquid or solid object fall into the cabinet, unplug the unit and have it checked by qualified personnel before operating it further.
- Unplug the unit from the wall outlet if it is not to be used for several days.
- To disconnect the cord, pull it out by the plug. Never pull the cord itself.
- The wall outlet should be near the unit and easily accessible.
- The unit is not disconnected to the AC power source (mains) as long as it is connected to the wall outlet, even if the unit itself has been turned off.
- Do not look into the lens while the lamp is on.
- Do not place your hand or objects near the ventilation holes — the air coming out is hot.
- Be careful not to catch your fingers by the adjuster when you lift up the projector. Do not push hard on the top of the projector with the adjuster out.

On illumination

- To obtain the best picture, the front of the screen should not be exposed to direct lighting or sunlight.
- Ceiling-mounted spot lighting is recommended. Use a cover over fluorescent lamps to avoid lowering the contrast ratio.
- Cover any windows that face the screen with opaque draperies.
- It is desirable to install the projector in a room where floor and walls are not of light-reflecting material. If the floor and walls are of reflecting material, it is recommended that the carpet and wall paper be changed to a dark color.

On preventing internal heat build-up

After you turn off the power with the  key on the Remote Commander or the  key on the control panel, do not disconnect the unit from the wall outlet while the cooling fan is still running.

Caution

The projector is equipped with ventilation holes (intake) on the bottom and ventilation holes (exhaust) on the front. Do not block or place anything near these holes, or internal heat build-up may occur, causing picture degradation or damage to the projector.

On cleaning

- To keep the cabinet looking new, periodically clean it with a soft cloth. Stubborn stains may be removed with a cloth lightly dampened with a mild detergent solution. Never use strong solvents, such as thinner, benzene, or abrasive cleansers, since these will damage the cabinet.
- Avoid touching the lens. To remove dust on the lens, use a soft dry cloth. Do not use a damp cloth, detergent solution, or thinner.
- Replace the air filter at regular intervals every 500 hours.

On repacking

Save the original shipping carton and packing material; they will come in handy if you ever have to ship your unit. For maximum protection, repack your unit as it was originally packed at the factory.

On LCD projector

The LCD projector is manufactured using high-precision technology. You may, however, see tiny black points and/or bright points (red, blue, or green) that continuously appear on the LCD projector. This is a normal result of the manufacturing process and does not indicate a malfunction.

Features

High brightness, high picture quality

- **New, wide LCD panel**

The new high-resolution wide LCD panel (1366 × 768 dots) provides higher uniformity, reduced ghosts and an improved contrast ratio.

- **High-brightness – 1000 ANSI lumens**

The LCD panel with its new 200W UHP lamp, optical unit and lens achieves a high brightness of 1000 ANSI lumens (16:9 projection), allowing for improved home viewing.

- **High-quality image**

In addition to the new wide LCD panel, a variety of functions are now available in the projector. These include DRC-MF (Digital Reality Creation Multifunction) (Sony's proprietary high-quality image technology); 3-D Gamma Correction, providing excellent uniformity; Cinema Black Mode, a mode that reduces the black level according to the input source/projection environment; and 3-D YC Separation/DNR (NTSC), a feature that reproduces a clear image without noise.

High-adaptability in the home environment

- **Reduced noise**

The exhaust opening at the front is connected to an internal fan and air duct. This means the distance from the fan to the exhaust opening is long, significantly reducing fan noise.

- **Flexible setup**

The projection lens has a short focus (90 inches with 2.9m (9.5 feet) (16:9)). The digital keystone correction function allows projection at a wide angle. The projector's white color goes with any color (ceilings, walls, etc.).

Wide Screen/DTV/High Definition Television

- **Wide Screen**

This projector utilizes a 16:9 aspect ratio LCD panel, allowing seven screen modes (ZOOM, FULL, SUBTITLE, WIDE ZOOM, etc.) using all panel pixels (1366 × 768).

It allows NORMAL THROUGH mode and FULL THROUGH mode as the through mode that reproduces a sharp image with one-to-one mapping.

- **DVD, DTV, High-Definition Television**

The projector's super-precise image exceeds 3.14 million pixels. It is also compatible with next-generation DTV (digital TV) and high-definition television signals. Combined with a tuner or a MUSE decoder (optional), you can enjoy DTV, high-definition television, high-definition LD, etc.

Video Memory

The projector has a video memory function. The user can store up to 6 settings (image quality, aspect, temperature color, DRC-MF, etc.) according to the input source. The user can directly recall any setting from the Remote Commander.

Multi scan compatibility

- **Scan converter built-in**

This projector has a built-in scan converter which converts the input signal within 1366 × 768 pixels.

- **Input signals**

The projector can accept the following video signals: Composite, S-video, Component, Progressive component, DTV (480i/p, 720p/1080i), HDTV, 15k RGB, VGA, SVGA, XGA and SXGA.

- **Compatible with six color systems**

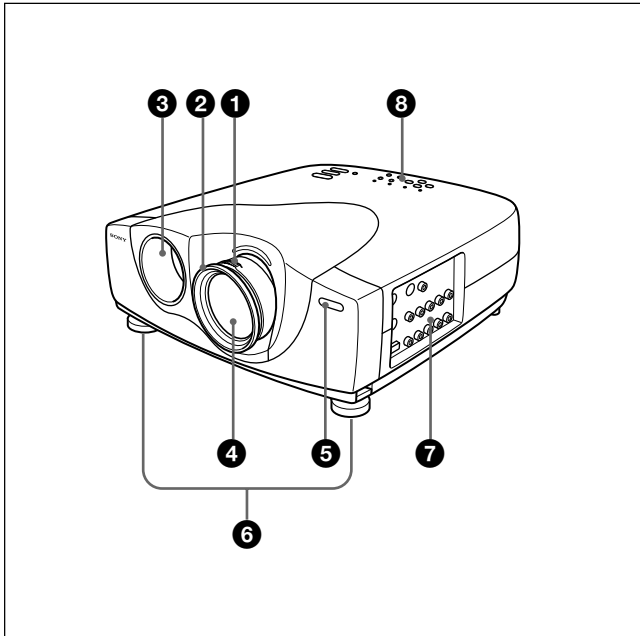
NTSC^{3.58}, PAL, SECAM, NTSC^{4.43}¹⁾, PAL-M or PAL-N color system can be selected automatically or manually.

-
- VGA, SVGA, XGA and SXGA are registered trademarks of the International Business Machines Corporation, U.S.A.
 - VESA is a registered trademark of the Video Electronics Standards Association.
 - IBM and PC/AT are a trademark and a registered trademark of the International Business Machines Corporation, U.S.A.
 - Macintosh is a registered trademark of Apple Computer, Inc.
 - NEC is a registered trademark of NEC Corporation.
 - PC-98 is a trademark of NEC Corporation.

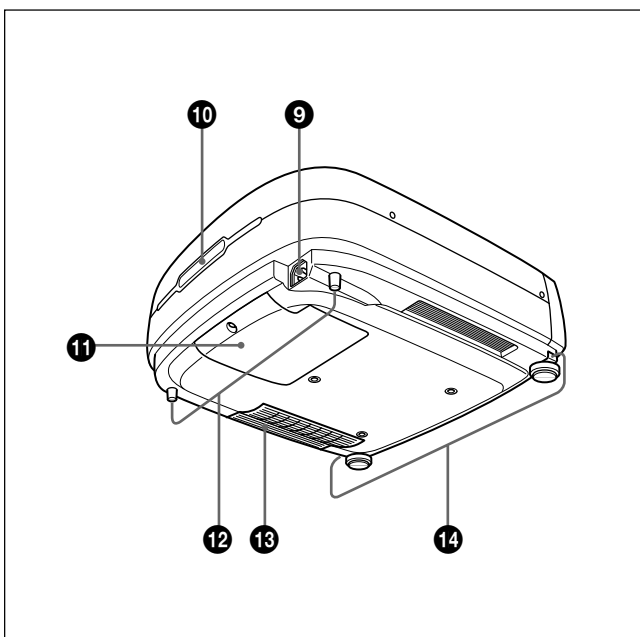
1) NTSC^{4.43} is the color system used when playing back a video recorded in the NTSC format on an NTSC^{4.43} system VCR.

Location and Function of Controls

Front/Left Side



Rear/Right Side/Bottom



1 Zoom ring
Adjusts the size of the picture.

2 Focus ring
Adjusts the picture focus.

3 Ventilation holes (exhaust)

4 Lens
Remove the lens cap before projection.

5 Front remote control detector (SIRCS receiver)

6 Adjusters
When a picture is projected on the out of the screen, adjust the picture using these adjusters.
For details on how to use the adjusters, see "How to use the adjuster" on page 10 (GB).

7 Connector panel
For details, see page 12 (GB).

8 Control panel
For details, see "Control panel" on page 11 (GB).

9 AC IN socket
Connects the supplied AC power cord.

10 Rear remote control detector (SIRCS receiver)

11 Lamp cover

12 Rear adjusters

13 Ventilation holes (intake)/air filter

About ventilation holes

Notes

- Do not place anything near the ventilation holes as it may cause internal heat build-up. Do not put your hand near the ventilation holes, or you may be burned.
- **Replace the air filter every 500 hours** to ensure optimal performance. This air filter cannot be cleaned.

For details, see "Replacing the Air Filter" on page 35 (GB).

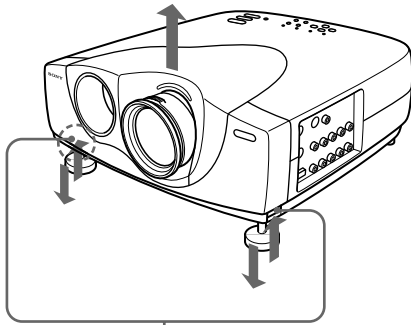
14 Adjuster buttons

How to use the adjuster

To adjust the height

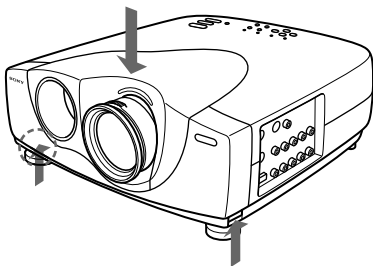
Adjust the height of the projector as follows:

- 1 Lift the projector and press the adjuster buttons. The adjusters will extend from the projector.

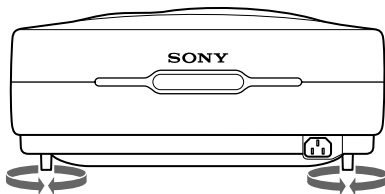


Adjuster buttons

- 2 While pressing the buttons, lower the projector. Then, release the buttons. The adjuster will be locked, then the height of the projector will be fixed.
For fine adjustment, turn the adjusters to the right and the left.



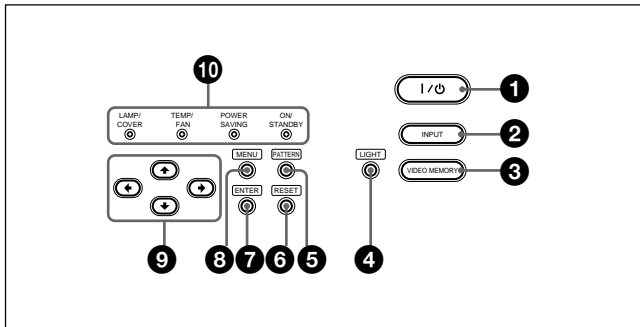
- 3 If necessary, turn the rear adjusters to the right and the left to adjust the height of the projector.



Notes

- Be careful not to let the projector down on your fingers.
- Do not push hard on the top of the projector with the adjusters out.

Control panel



1 I / ⏻ (on / standby) key

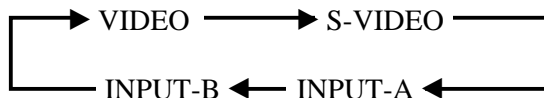
Turns the projector on and off when the projector is in the standby mode. The ON/STANDBY indicator lights in green when the power is turned on.

When turning off the power, press the I / ⏻ key twice following the message on the screen, or press and hold the key for about one second.

For details on steps for turning off the power, see "To turn off the power" on page 20 (GB).

2 INPUT key

Selects the input signal. Each time you press the key, the input signal switches as follows:



3 VIDEO MEMORY key

You can adjust the image in advance and store the setting in the VIDEO MEMORY 1 to 6. You can recall the setting by pressing this key. Pressing this key selects memory number 1 through 6, and then starts again with 1. You can easily set, change and view the image in a suitable setting.

For more details on how to set the video memory, see the VIDEO MEMORY of the INPUT SETTING menu on page 25 (GB).

4 LIGHT key

If you press this key while the power is on, the keys on the control panel will be displayed in orange. Press this key again to turn off the light.

The light will turn off automatically if no keys are operated for 30 seconds.

5 PATTERN key

Displays the test pattern on the screen for focus adjustment. Press again to clear the test pattern.

6 RESET key

Resets the value of an item back to its factory preset value. This key functions when the menu or a setting item is displayed on the screen.

7 ENTER key

Enters the settings of items in the menu system.

8 MENU key

Displays the on-screen menu. Press again to clear the menu.

9 Arrow keys (↑/↓/←/→)

Used to select the menu or to make various adjustments.

10 Indicators

LAMP/COVER: Lights up or flashes under the following conditions:

- Lights up when the lamp has reached the end of its life or the lamp does not turn on as a result of high lamp temperature.
- Flashes when the lamp cover or air filter is not secured firmly.

TEMP (Temperature)/FAN: Lights up or flashes under the following conditions:

- Lights up when temperature inside the projector becomes unusually high.
- Flashes when the fan is broken.

POWER SAVING: Lights up when the projector is in the power saving mode. When POWER SAVING in the SET SETTING menu is set to ON, the projector goes into the power saving mode if no signal is input or no keys are operated for 10 minutes. Although the lamp goes out, the cooling fan keeps running. In the power saving mode, no key functions for the first 40 seconds. The power saving mode is canceled when a signal is input or any key is pressed.

ON/STANDBY: Lights up or flashes under the following conditions:

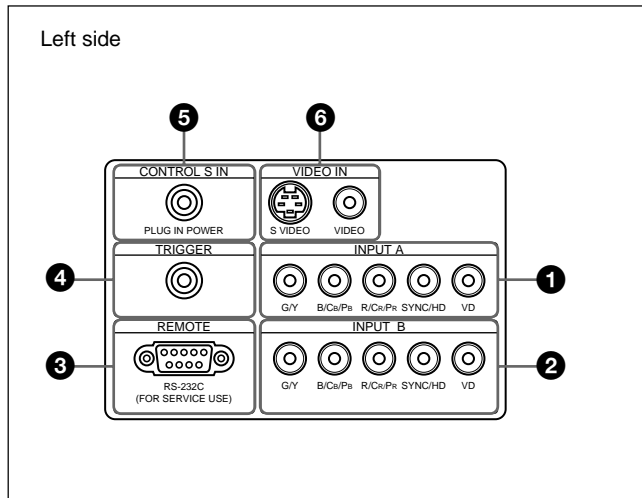
- Lights in red when the AC power cord is plugged into the wall outlet. Once in the standby mode, you can turn on the projector with the I / ⏻ key.
- Lights in green when the power is turned on.
- Flashes in green while the cooling fan runs after turning off the power with the I / ⏻ key. The fan runs for about 120 seconds after turning off the power.

The ON/STANDBY indicator flashes quickly for the first 40 seconds.

During this time, you cannot turn the power back on with the I / ⏻ key.

For details on the LAMP/COVER and the TEMP/FAN indicators, see page 37 (GB).

Connector panel



① INPUT A connectors

G/Y, B/Cb/Pb, R/Cr/Pr, SYNC/HD, VD connectors (phono type):

Connect to the RGB output of the equipment.

According to the connected equipment, computer, component (Y/Cb/Cr), HDTV or DTV (DTV GBR, DTV YPbPr) signal is selected.

② INPUT B connectors

G/Y, B/Cb/Pb, R/Cr/Pr, SYNC/HD, VD connectors (phono type):

Connect to the RGB output of the equipment.

According to the connected equipment, computer, component (Y/Cb/Cr), HDTV or DTV (DTV GBR, DTV YPbPr) signal is selected.

③ RS-232C connector (D-sub 9-pin, female)

This is a service connector.

④ TRIGGER connector (minijack)

Outputs the ON or OFF condition of the unit to the external equipment.

When the unit is turned off, 0 V is output and when the unit is turned on, 12 V is output. However, as power is not output, you cannot use the connector as a power source.

⑤ CONTROL S IN/PLUG IN POWER (DC 5V output) jack

Connects to the control S out jacks of the Sony equipment. Connects to the CONTROL S OUT jack on the supplied Remote Commander when using it as a wired Remote Commander. In this case, you do not need to install the batteries in the Remote Commander, since power is supplied from this jack.

If this connector is used, the Remote Commander key lamp is not turned on.

⑥ VIDEO IN jacks

Connect to external video equipment such as a VCR.

S VIDEO (mini DIN 4-pin): Connects to the S video output (Y/C video output) of video equipment.

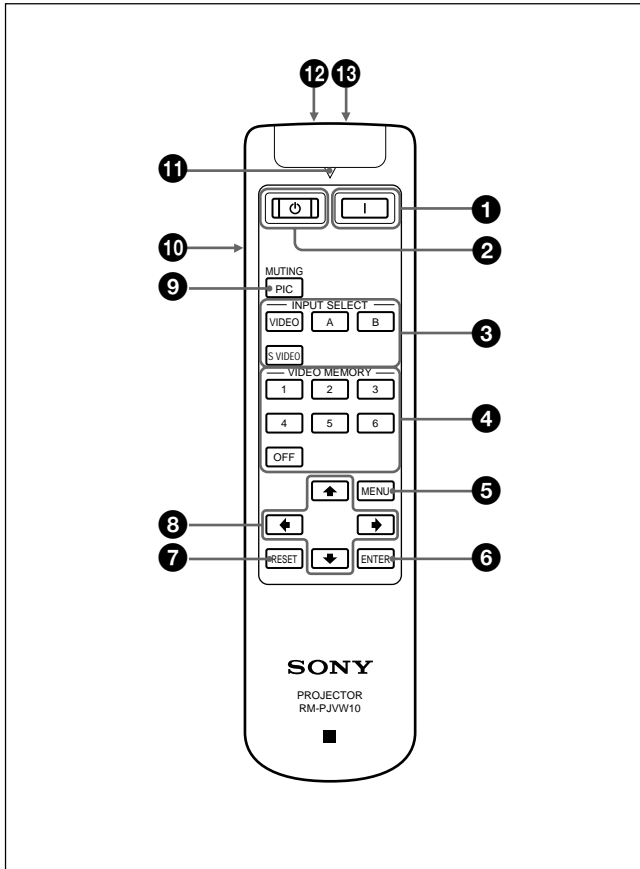
VIDEO (phono type): Connects to the composite video output of video equipment.

Remote Commander

The keys which have the same names as on the control panel function identically.

You can control a connected computer using the Remote Commander.

For details, see "Connecting with a Computer" on page 16 (GB).



1 I (ON) key

Press this key to turn on the projector. (It is assumed that the projector is in the Stand-by state.)

2 Power (OFF) key

Press this key to turn off the power immediately.

3 INPUT SELECT keys

Select the input signal.

VIDEO: Selects the signal of equipment connected to the projector's VIDEO connector.

S VIDEO: Selects the signal of equipment connected to the projector's S VIDEO connector.

A: Selects the video signal of equipment connected to the INPUT A connectors.

B: Selects the video signal of equipment connected to the INPUT B connectors.

4 VIDEO MEMORY keys

You can store an image setting to one of the VIDEO MEMORY keys (1 – 6), and you can directly recall the setting by pressing the appropriate key.

For more details on how to set the video memory, see the VIDEO MEMORY of the INPUT SETTING menu on page 25 (GB).

5 MENU key

6 ENTER key

7 RESET key

8 Arrow keys (↑/↓/←/→)

9 MUTING PIC key

Cuts off the picture. Press again to restore the picture.

10 LIGHT switch

Pressing this switch turns on the key light on the Remote Commander. Pressing this switch again turns off the key light. If no keys are operated, the lights will automatically turn off in 30 seconds.

Install the two batteries in the Remote Commander when you use the key light.

11 Transmission indicator

Lights up when you press a key on the Remote Commander.

12 CONTROL S OUT jack (stereo minijack)

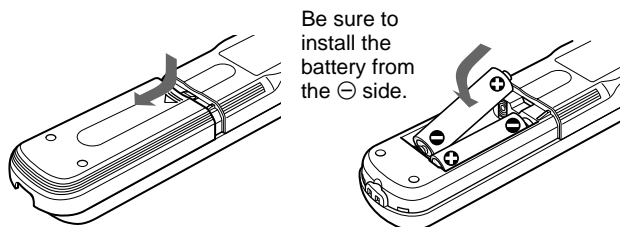
Connects to the CONTROL S IN jack on the projector with the connecting cable (not supplied) when using the Remote Commander as a wired one. In this case, you do not need to install the batteries since the power is supplied via the CONTROL S IN jack on the projector.

If the batteries are not installed, the Remote Commander key light is not turned on.

13 Infrared transmitter

Battery installation

- 1 Push and slide to open the lid, then install the two size AA (R6) batteries (supplied) with the correct polarity.



Be sure to install the battery from the ⊖ side.

- 2 Replace the lid.

Notes on batteries

- Make sure that the battery orientation is correct when inserting batteries.
- Do not mix an old battery with a new one, or different types of batteries.
- If you will not use the Remote Commander for a long time, remove the batteries to avoid damage from battery leakage. If batteries have leaked, remove them, wipe the battery compartment dry and replace the batteries with new ones.

Notes on Remote Commander operation

- Make sure that there is nothing to obstruct the infrared beam between the Remote Commander and the remote control detector on the projector.
- The operation range is limited. The shorter the distance between the Remote Commander and the projector is, the wider the angle within which the commander can control the projector.
- To turn on the key light when using as a wired Remote Commander, install the batteries.

Note

When the Remote Commander causes malfunction, consult with qualified Sony personnel. We change the Remote Commander as new one according to the guarantee.

Installing the Projector

This section describes the installation arrangements for installing the projector.

The distance between the lens and the screen varies depending on the size of the screen. Use the following table as a guide.

Unit: m (feet)

16:9 screen size (inches)	40	60	80	100	120	150	200	300
Minimum Distance	1.3 (4.1)	1.9 (6.3)	2.6 (8.5)	3.3 (10.7)	3.9 (12.9)	4.9 (16.2)	6.6 (21.7)	9.9 (32.6)
Maximum Distance	1.5 (4.8)	2.2 (7.4)	3.0 (9.8)	3.8 (12.4)	4.6 (14.9)	5.7 (18.7)	7.6 (25.0)	11.5 (37.7)

4:3 screen size (inches)	40	60	80	100	120	150	200	300
Minimum Distance	1.6 (5.1)	2.4 (7.8)	3.2 (10.5)	4.0 (13.2)	4.8 (15.9)	6.1 (19.9)	8.1 (26.6)	12.2 (40.0)
Maximum Distance	1.8 (6.0)	2.8 (9.1)	3.7 (12.3)	4.7 (15.4)	5.6 (18.3)	7.0 (23.0)	9.4 (30.8)	14.1 (46.2)

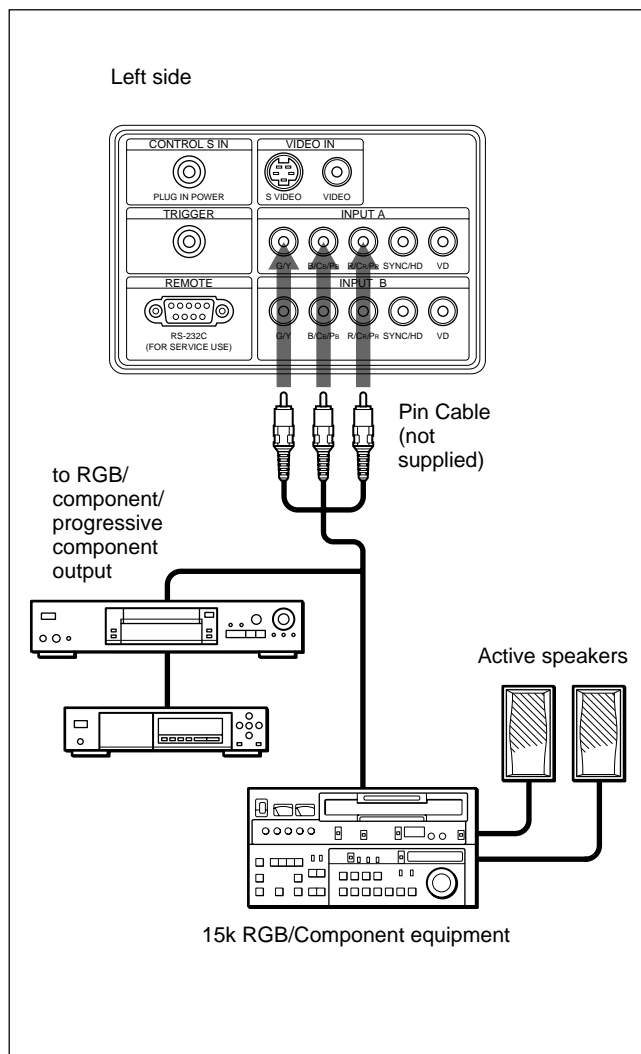
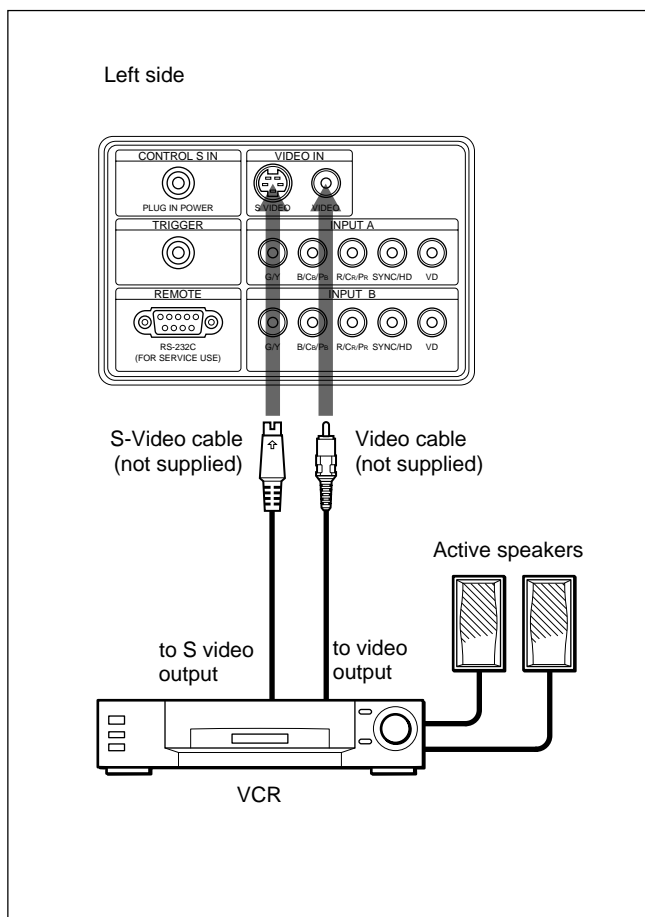
Connecting

When making connections, be sure to:

- turn off all equipment before making any connections.
- use the proper cables for each connection.
- insert the plugs of the cables properly; plugs that are not fully inserted often generate noise. When pulling out a cable, be sure to pull it out by the plug, not the cable itself.

Connecting with a VCR/15k RGB/Component/Progressive Component Equipment

This section describes how to connect the projector with a VCR, external active speakers, and 15k RGB/component/progressive component equipment. Also refer to the instruction manuals of the equipment to be connected.



Notes

- Set the aspect ratio using ASPECT in the INPUT SETTING menu according to the input signal.
- To connect a 15k RGB/component/progressive component equipment, select the COMPUTER/COMPONENT/DTV YPbPr/DTV GBR in the INPUT-A or INPUT-B in the SET SETTING menu according to the input signal.
For details on setting, see page 27 (GB).
- Use the composite sync signal when you input the external sync signal from 15k RGB/component equipment.

- You can connect a high definition equipment. The connection method is the same as above.

Connecting to an HDTV 1035/60i

Set the input setting to “DTV YPbPr/DTV GBR.” Use the composite sync signal when you input the external sync signal.

Connecting with a Computer

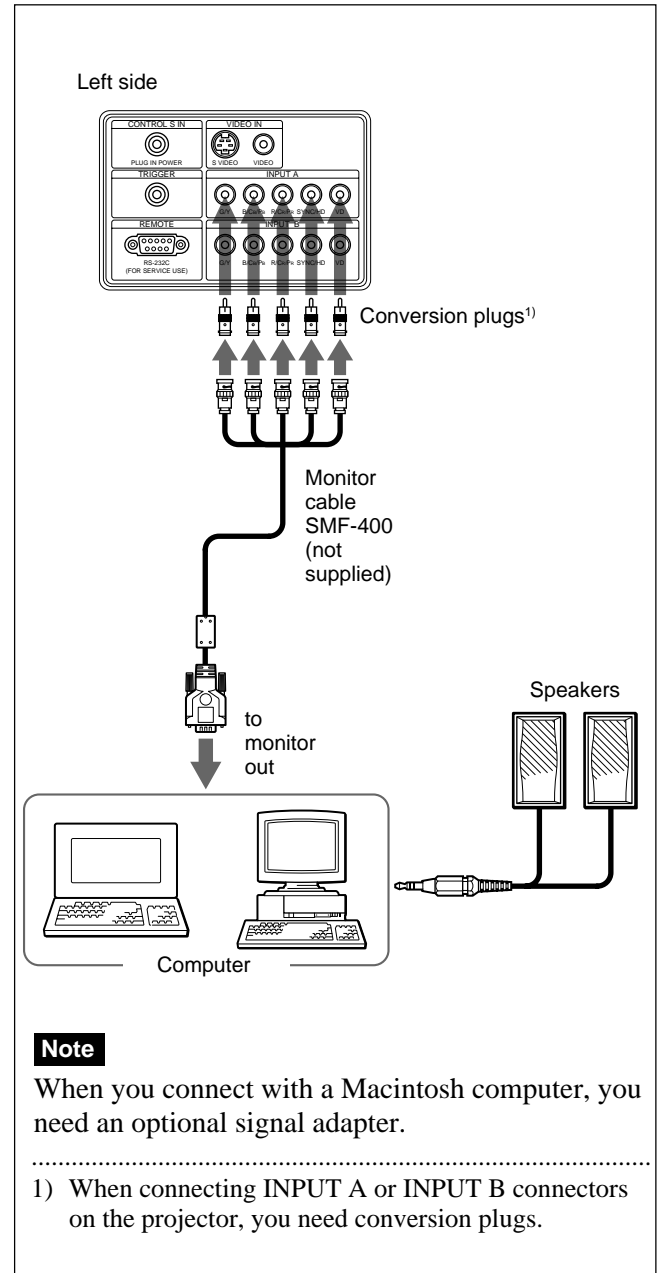
This section describes how to connect the projector to a computer.

Select the "COMPUTER" in the INPUT-A or INPUT-B of the SET SETTING menu.

Notes

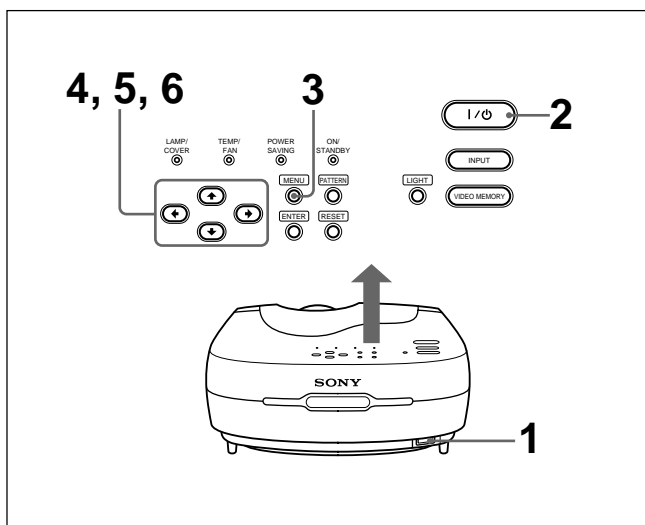
- This unit accepts the VGA, SVGA, XGA or SXGA signals. However, we recommend you to set the output signal of your computer to the XGA.
 - If you set your computer, such as a notebook type IBM PC/AT compatible, to output the signal to both the display of your computer and the external monitor, the picture of the external monitor may not appear properly. In such cases, set the output mode of your computer to output the signal only to the external monitor.
- For details, refer to the operating instructions supplied with your computer.*
- Connect all the connecting cables to the INPUT A connector when you input a signal from the INPUT A connector.
- Connect all the connecting cables to the INPUT B connector when you input a signal from the INPUT B connector as well.

When connecting with a computer



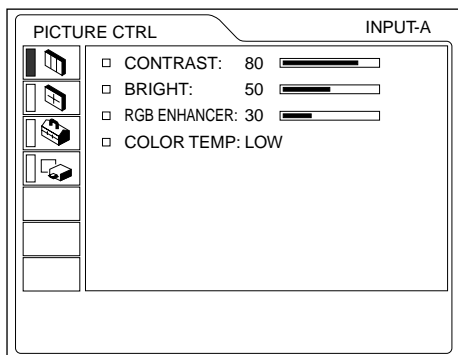
Selecting the Menu Language

You can select the language for displaying in the menu and other on screen display. The factory setting is ENGLISH.



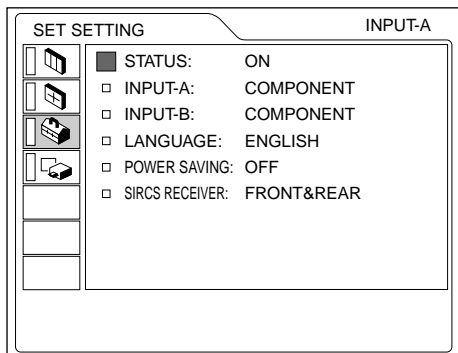
- 1 Plug the AC power cord into the wall outlet.
- 2 Press the I / ⏻ key to turn on the power.
- 3 Press the MENU key.

The menu display appears.

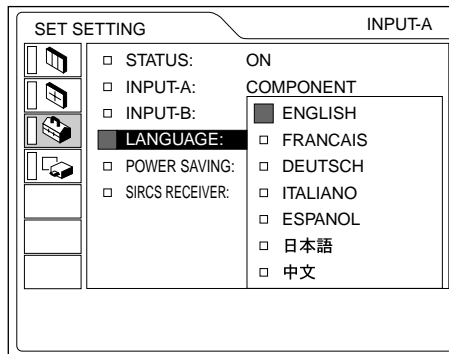


- 4 Select the icon of SET SETTING Menu, the third one, by using the ↑ or ↓ key, then press the → or ENTER key.

The SET SETTING Menu appears.



- 5 Select LANGUAGE with the ↑ or ↓ key, then press the → or ENTER key.



- 6 Select the language desired with the ↑ or ↓ key, then press the ← or ENTER key.

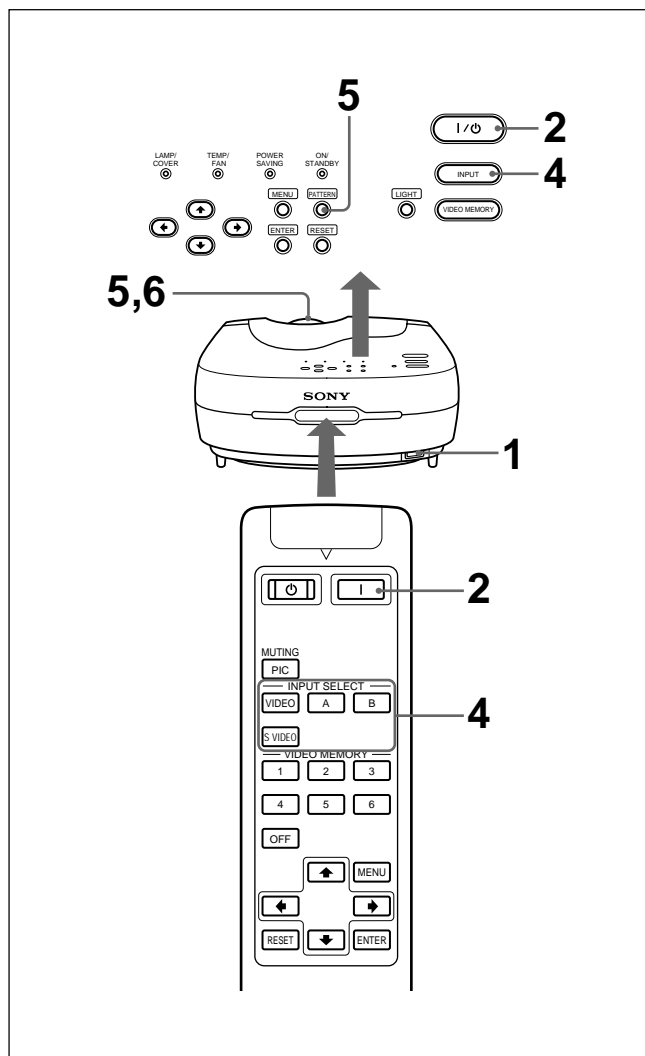
The menu changes into the selected language .

To clear the menu display

Press the MENU key.

The menu display disappears automatically if no key is pressed for one minute.

Projecting



- 1** After all equipment is completely connected, plug the AC power cord into the wall outlet.
The ON/STANDBY indicator lights in red and the projector goes into the standby mode.
- 2** Press the I / ⏻ key on the control panel or the I key on the Remote Commander.
The ON/STANDBY indicator lights in green.
- 3** Turn on equipment connected to the projector.

- 4** Press the INPUT key to select the input source.

INPUT-A: Selects video signal input from the INPUT A connector, such as component equipment.

INPUT-B: Selects video signal input from the INPUT B connector, such as component equipment.

VIDEO: Selects video signal input from the VIDEO (VIDEO IN) jack.

S-VIDEO: Selects video signal input from the S VIDEO (VIDEO IN) jack.

- 5** Press the PATTERN key on the control panel to display the test pattern, and turn the focus ring to adjust the focus.
Press the PATTERN key again to clear the test pattern.

- 6** Turn the zoom ring to adjust the size of the picture.

Note

Looking into the lens when projecting may cause injury to your eyes.

To	Press
Cut off the picture	the MUTING PIC key on the remote commander. To restore the picture, press the MUTING PIC key again.

To correct the trapezoid

When the projecting image is a trapezoid, change the projector's position/height by moving the adjuster.
 For details on "How to use the adjuster", see page 10 (GB).

If the image is still a trapezoid, correct it in DIGIT KEYSTONE in the INSTALL SETTING menu.

When the base edge is longer than the upper edge as shown in the figure below:



Set the value to negative.

When the upper edge is longer than the base edge as shown in the figure below:



Set the value to positive.

Note

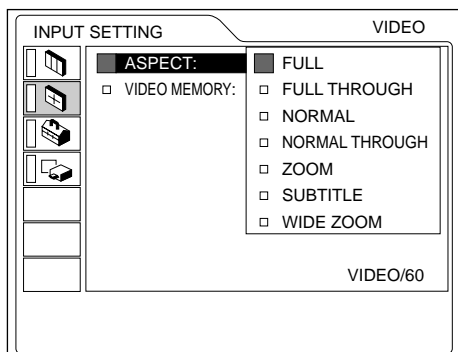
If "ZOOM", "FULL" or "NORMAL" have been selected in the ASPECT of the INPUT SETTING menu, you can change the trapezoid.

For details on "DIGIT KEYSTONE", see page 28 (GB).

Changing the aspect

You can change the aspect according to the video signal. For details on the menu screen operation, see "Using the Menu" on page 21 (GB).

- 1 Press the MENU key to display the menu.
- 2 Press the **↑** or **↓** key to select INPUT SETTING menu, then press the **→** or ENTER key.
- 3 Press the **↑** or **↓** key to select ASPECT, then press the **→** or ENTER key.



4 Make setting or adjustment on an item.

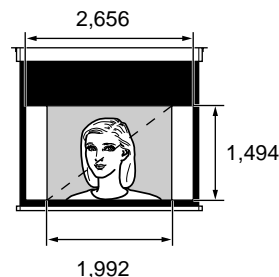
For details on setting individual items, see page 24 (GB).

The picture size for the screen size

Refer to the following for selecting the aspect.

When the 4:3 picture is displayed on the 16:9 screen

Example: The 120 inch screen is used.

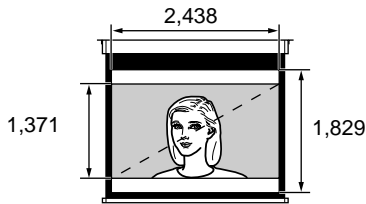


The 98 inch picture is displayed

	16:9 screen	4:3 picture	
Size (Inch)	Unit (mm)	Unit (mm)	Size (Inch)
90			73
110			90
120			98

When the 16 : 9 picture is displayed on the 4 : 3 screen

Example: The 120 inch screen is used.



The 110 inch picture is displayed.

	4:3 screen	16:9 picture	
Size (Inch)	Unit (mm)	Unit (mm)	Size (Inch)
80			73
100			91
120			110

Notes on changing the aspect

This projector provides you with the various choices of aspects. When changing the aspect, check the following:

- Select an aspect taking into account that one which changes the aspect ratio of the original picture will provide a different look from that of the original image.
- Also note that if the projector is used for profit or for public viewing, modifying the original picture by switching aspects may constitute an infringement of the rights of authors or producers which are legally protected by laws.

To turn off the power

To turn off the power from the control panel

- 1 Press the I / ⏻ key on the control panel.
“Power OFF?” appears on the screen.

Note

The message will disappear if you press any key except the I / ⏻ key, or if you do not press any key for five seconds.

- 2 Press the I / ⏻ key.

The ON/STANDBY indicator flashes in green and the fan continues to run for about 120 seconds to reduce the internal heat. Also, the ON/STANDBY indicator flashes quickly for the first 40 seconds. During this time, you will not be able to turn the power back on with the I / ⏻ key.

- 3 Unplug the AC power cord from the wall outlet after the fan stops running and the ON/STANDBY indicator lights in red.

When you cannot confirm the on-screen message

When you cannot confirm the on-screen message in a certain condition, you can turn off the power by holding the I / ⏻ key for about one second.

To turn off the power from the Remote Commander

- 1 Press the ⏻ key on the Remote Commander.
- 2 Unplug the AC power cord from the wall outlet after the fan stops running and the ON/STANDBY indicator lights in red.

Note

Do not unplug the AC power cord while the fan is still running; otherwise, the fan will stop although the internal heat is still high, leading to breakdown of the projector.

About the air filter replacing

Replace the air filter every 500 hours to ensure optimal performance. This air filter cannot be cleaned.

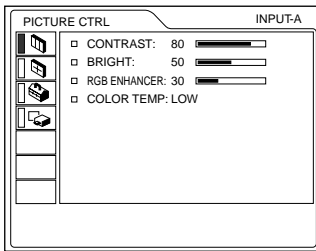
Using the MENU

The projector is equipped with an on-screen menu for making various adjustments and settings.

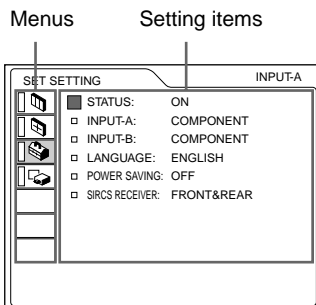
You can select the language for displaying in the menu.

For details on the selecting the language used in the menu, see page 17 (GB).

- 1 Press the MENU key.
The menu display appears.
The menu presently selected is shown as a yellow button.



- 2 Use the **↑** or **↓** key to select a menu, then press the **→** or ENTER key.
The selected menu appears.



- 3 Select an item.
Use the **↑** or **↓** key to select the item, then press the **→** or ENTER key.

- 4 Adjust an item.
 - When changing the adjustment level:
To increase the number, press the **↑** or **→** key.
To decrease the number, press the **↓** or **←** key.
Press the ENTER key to restore the original screen.
 - When changing the setting:
Press the **↑** or **↓** key to change the setting.
Press the **←** or ENTER key to restore the original screen.

For details on setting individual items, see the relevant menu pages.

To clear the menu display

Press the MENU key.

The menu display disappears automatically if no key is pressed for one minute.

To reset items that have been adjusted

Press the RESET key.

“Complete!” appears on the screen and the settings appearing on the screen will be reset to their factory preset values.

Items which can be reset are:

- “CONTRAST”, “BRIGHT”, “COLOR”, “HUE”, “SHARP” and “RGB ENHANCER” in the PICTURE CTRL menu.
- “DOT PHASE”, “SIZE H” and “SHIFT” in the INPUT SETTING menu.

About the memory of the settings

The settings are automatically stored in the projector memory.

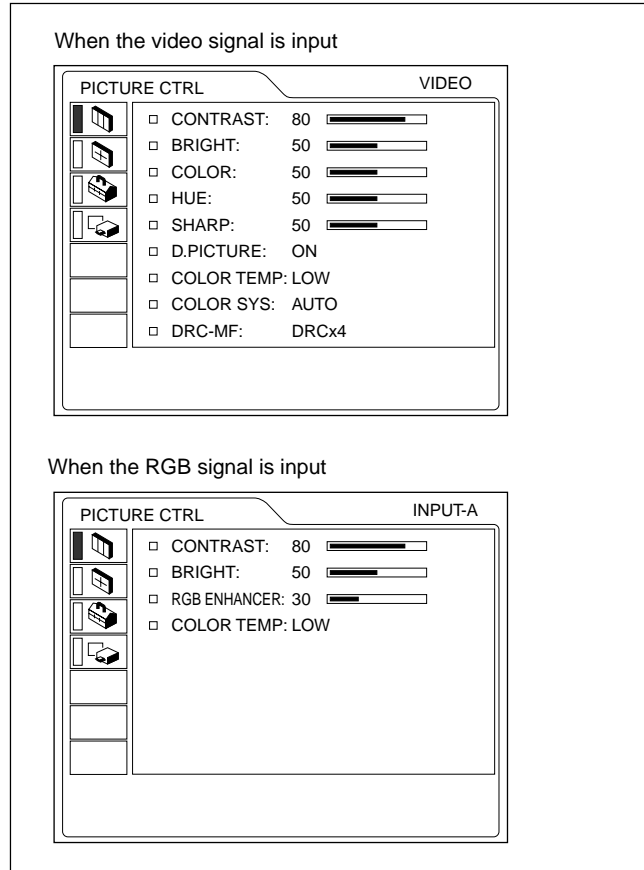
When no signal is input

When there is no input signal, “NO INPUT—Cannot adjust this item.” appears on the screen, and each item cannot be adjusted.

The PICTURE CTRL Menu

The PICTURE CTRL (control) menu is used for adjusting the picture.

Unadjustable items depending on the input signal are not displayed in the menu.



CONTRAST

Adjusts the picture contrast.

The higher the setting, the greater the contrast.

The lower the setting, the lower the contrast.

BRIGHT

Adjusts the picture brightness.

The higher the setting, the brighter the picture.

The lower the setting, the darker the picture.

COLOR

Adjusts color intensity.

The higher the setting, the greater the intensity.

The lower the setting, the lower the intensity.

HUE

Adjusts color tones.

The higher the setting, the picture becomes greenish.

The lower the setting, the picture becomes purplish.

SHARP

Adjusts the picture sharpness.

The higher the setting, the sharper the picture.

The lower the setting, the softer the picture.

RGB ENHANCER

Adjusts the picture sharpness when the computer signals are input.

The higher the setting, the sharper the picture.

The lower the setting, the softer the picture.

D. (Dynamic) PICTURE

Emphasizes the black color.

ON: Emphasizes the black color to produce a bolder “dynamic” picture.

OFF: Reproduces the dark portions of the picture accurately, in accordance with the source signal.

COLOR TEMP

Adjusts the color temperature.

HIGH: Makes the white color bluish.

LOW: Makes the white color reddish.

COLOR SYS (System)

Selects the color system of the input signal.

AUTO: Automatically selects one of the following signals: NTSC_{3.58}, PAL, SECAM, NTSC_{4.43}.

PAL-M/N: Automatically selects one of the following signals: PAL-M/PAL-N, NTSC_{3.58}.

Normally, set to AUTO.

If the picture is distorted or colorless, select the color system according to the input signal.

DRC-MF

Smooths out a large size video image.

DRC × 4: Doubles the number of the video signal scanning lines and the number of horizontal pixels, resulting in quadrupled image quality.

DRC PROGRESSIVE: Displays a clear line or characters without line flickering.

Input signals and adjustable/setting items

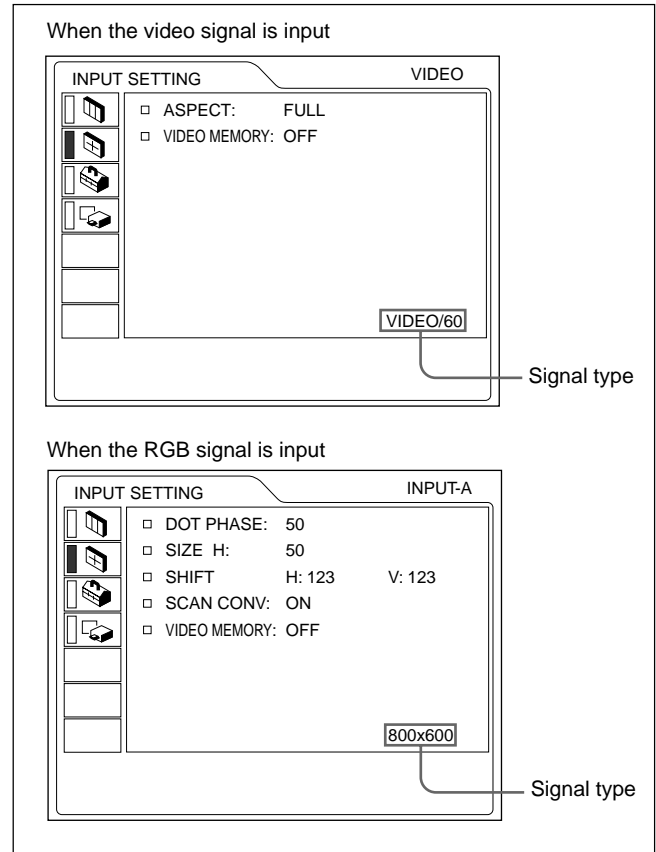
Item	Input signal				
	Video or S video (Y/C)	Component/15k RGB	Progressive Component/HDTV/DTV	RGB ¹⁾	B&W
CONTRAST	●	●	●	●	●
BRIGHT	●	●	●	●	●
COLOR	●	●	●	–	–
HUE	● (NTSC3.58/ 4.43 only)	●	●	–	–
SHARP	●	●	●	–	●
RGB ENHANCER	–	–	–	●	–
D. PICTURE	●	●	–	–	●
COLOR TEMP	●	●	●	●	●
COLOR SYS	●	–	–	–	●
DRC-MF	●	●	–	–	●

● : Adjustable/can be set
 – : Not adjustable/can not be set

The INPUT SETTING Menu

The INPUT SETTING menu is used to adjust the input signal.

Unadjustable items depending on the input signal are not displayed in the menu.



DOT PHASE

Adjusts the phase of the LCD dots and the computer signal input from the INPUT A/B connector. Adjust the picture to where it looks clearest.

SIZE H

Adjusts the horizontal size of the picture input from the INPUT A/B connector. The higher the setting, the larger the horizontal size of the picture. The lower the setting, the smaller the horizontal size of the picture. Adjust the setting according to the dots of the input signal. For details on the suitable value for the preset signals, see page 26 (GB).

1) The RGB signals of a computer

SHIFT

Adjusts the position of the picture input from the INPUT A/B connectors.

H adjusts the horizontal position of the picture.

V adjusts the vertical position of the picture.

As the setting for H increases, the picture moves to the right, and as the setting decreases, the picture moves to the left.

As the setting for V increases, the picture moves up, and as the setting decreases, the picture moves down.

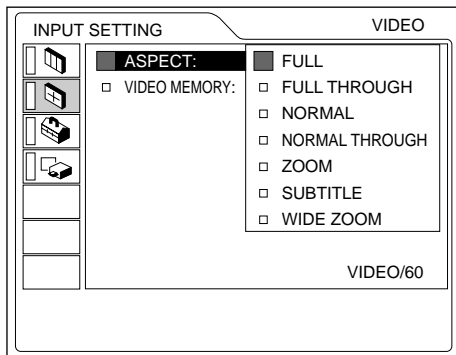
Use the ← or the → key to adjust the horizontal position and the ↑ and ↓ key for the vertical position.

ASPECT

Sets the following aspect setting:

4:3 NORMAL, NORMAL THROUGH

16:9 FULL, FULL THROUGH, ZOOM, SUBTITLE, WIDE ZOOM.



FULL: The 16:9 squeezed image is displayed with the correct aspect. The 4:3 image is enlarged horizontally.



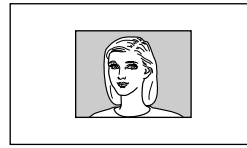
FULL THROUGH: One-to-one mapping is done on a squeezed 16:9 image. The image is displayed at the center of the screen.



NORMAL: The picture with normal ratio 4:3 is displayed.



NORMAL THROUGH: One-to-one mapping is done on the picture with a normal ratio of 4:3. The picture is displayed at the center of the screen.



ZOOM: The picture with normal ratio 4:3 is enlarged vertically and horizontally (with same ratio) to the screen size. This mode is ideal for capturing the full-screen drama of wide-format movies.



SUBTITLE: The subtitle area is compressed. This mode leaves the subtitles on the lower part of the screen.



WIDE ZOOM: The picture with normal ratio 4:3 is enlarged and the upper and lower portions of the picture are compressed. This is ideal for general programs, such as news or variety shows.



Note

You cannot change the image mode while the projector is projecting a high definition image or DTV signal.

The adjustable/unadjustable items depending on the aspect setting

Items	V SCROLL	TITLE AREA	DIGIT KEYSTONE
FULL	—	—	●
FULL THROUGH	—	—	—
NORMAL	—	—	●
NORMAL THROUGH	—	—	—
ZOOM	●	—	●
SUBTITLE	●	●	—
WIDE ZOOM	—	—	—

● : Adjustable — : Unadjustable

SCAN CONV (Scan converter)

Converts the signal to display the picture according to the screen size.

- ON:** Enlarges the picture according to the screen aspect. The picture will lose some clarity.
- OFF:** Displays the picture while matching one pixel of input picture element to that of the LCD. The picture will be clear but the picture size will be smaller.

Note

When the XGA or SXGA signal is input, this item will not be displayed.

V SCROLL

Adjusts the vertical position of the picture.
Adjustable range is 0 to +7.

As the setting increases, the picture moves up, and as the setting decreases, the picture moves down. To resume the normal position, press the RESET key.

TITLE AREA

Adjusts the subtitle area.
Adjustable range is 0 to +7.
As the setting increases, the subtitle area becomes wide, and as the setting decreases, the subtitle area becomes narrow.
To resume the normal area, press the RESET key.

Note

Although the adjustable range displayed is 0 to +7, the actual range may be limited depending on the V SCROLL setting.

VIDEO MEMORY

Displays the selected video memory number. There are 6 memory settings. If you select OFF, the image is displayed according to the settings stored in each channel memory.

How to set the VIDEO MEMORY

Using the Remote Commander

- 1** Press the desired number (1 – 6) of the VIDEO MEMORY keys.
The selected memory number is displayed in the menu.
- 2** From an appropriate menu, select an item to be adjusted and adjust the setting using the **↑**, **↓**, **←** or **→** keys.
- 3** Press the **←** or ENTER key.
The adjusted item (setting) is stored in the selected memory number. The screen returns to the previous screen.

Using the Control Panel

- 1** Select a VIDEO MEMORY number (1 – 6) by pressing the VIDEO MEMORY key.
(You can also set the VIDEO MEMORY with the menu operation.)
- 2** From an appropriate menu, select an item to be adjusted and adjust the setting using the **↑**, **↓**, **←** or **→** keys.
- 3** Press the **←** or ENTER key.
The adjusted item (setting) is stored in the selected memory number. The screen returns to the previous screen.

Input signals and adjustable/setting items

Item	Input signal				
	Video or S video (Y/C)	15k RGB/ Progressive Component	HDTV/ DTV	RGB ¹⁾	B&W
DOT PHASE	–	–	●	●	–
SIZE H	–	●	●	●	–
SHIFT	–	●	●	●	–
ASPECT	●	●	–	–	●
SCAN CONV	–	–	–	● (lower than SVGA only)	–
V SCROLL	○	○	–	–	○
TITLE AREA	○	○	–	–	○
VIDEO MEMORY	●	●	●	●	●

- : Adjustable/can be set
- : Not adjustable/can not be set
- : Aspect ratio dependent item

About the preset memory

This projector has 43 kinds of preset data for input signals (the preset memory). When the preset signal is input, this projector automatically detects the signal type. When the signal is registered to the preset memory, a suitable picture is displayed on the screen according to the signal type. The type of input signal is displayed in the INPUT SETTING menu. You can adjust the preset data through the INPUT SETTING menu.

This projector also has 20 kinds of user memories for each INPUT-A/B. You can register a new type of signal that is not preset. When an unpreset signal is input for the first time, the setting via INPUT-A/B adjusted in the INPUT SETTING menu is stored. When more than 20 user memories are registered for each INPUT-A/B, the newest memory is automatically stored over the oldest one.

1) The RGB signals of a computer

Preset signals

Memory No.	Preset signal	fH (kHz)	fV (Hz)	Sync	SIZE H	
1	Video 60 Hz	15.734	59.940	H-neg V-neg	1572	
2	Video 50 Hz	15.625	50.000	H-neg V-neg	1864	
3	15k RGB/Component 60 Hz	15.734	59.940	SonG	1572	
4	15k RGB/Component 50 Hz	15.625	50.000	SonG	1864	
5	HDTV	33.750	60.000	SonG	2200	
6	640 × 350	VGA mode 1	31.469	70.086	H-pos V-neg	800
7		VGA VESA 85 Hz	37.861	85.080	H-pos V-neg	832
8	640 × 400	PC-9801 Normal	24.823	56.416	H-neg V-neg	848
9		VGA mode 2	31.469	70.086	H-neg V-pos	800
10		VGA VESA 85 Hz	37.861	85.080	H-neg V-pos	832
11	640 × 480	VGA mode 3	31.469	59.940	H-neg V-neg	800
12		Macintosh 13"	35.000	66.667	SonG	864
13		VGA VESA 72 Hz	37.861	72.809	H-neg V-neg	832
14		VGA VESA 75 Hz	37.500	75.000	H-neg V-neg	840
15		VGA VESA 85 Hz	43.269	85.008	H-neg V-neg	832
16	800 × 600	SVGA VESA 56 Hz	35.156	56.250	H-pos V-pos	1024
17		SVGA VESA 60 Hz	37.879	60.317	H-pos V-pos	1056
18		SVGA VESA 72 Hz	48.077	72.188	H-pos V-pos	1040
19		SVGA VESA 75 Hz	46.875	75.000	H-pos V-pos	1056
20		SVGA VESA 85 Hz	53.674	85.061	H-pos V-pos	1048
21	832 × 624	Macintosh 16"	49.724	74.550	H-neg V-neg	1152
22	1024 × 768	XGA VESA 43 Hz	35.524	43.479	H-pos V-pos	1264
23		XGA VESA 60 Hz	48.363	60.004	H-neg V-neg	1344
24		XGA VESA 70 Hz	56.476	69.955	H-neg V-neg	1328
25		XGA VESA 75 Hz	60.023	75.029	H-pos V-pos	1312
26		XGA VESA 85 Hz	68.677	84.997	H-pos V-pos	1376
27	1152 × 864	SXGA VESA 70 Hz	63.995	70.019	H-pos V-pos	1472
28		SXGA VESA 75 Hz	67.500	75.000	H-pos V-pos	1600
29		SXGA VESA 85 Hz	77.487	85.057	H-pos V-pos	1568
30	1152 × 900	Sunmicro LO	61.795	65.960	H-neg V-neg	1504
31		Sunmicro HI	71.713	76.047	C-neg	1472
32	1280 × 960	SXGA VESA 60 Hz	60.000	60.000	H-pos V-pos	1800
33		SXGA VESA 75 Hz	75.000	75.000	H-pos V-pos	1728
34	1280 × 1024	SXGA VESA 43 Hz	46.433	43.436	H-pos V-pos	1696
35		SGI-5	53.316	50.062	SonG	1680
36		SXGA VESA 60 Hz	63.974	60.013	H-pos V-pos	1696
37		SXGA VESA 75 Hz	79.976	75.025	H-pos V-pos	1688

43	480/60p	480/60p (Progressive component)	31.470	60.000	SonG	774
44	575/50p	575/50p (Progressive component)	31.250	50.000	SonG	920
45	1080/50i	1080/50i	28.130	50.000		2640
47	720/60p	720/60p	45.000	60.000		1650
48	720/50p	720/50p	37.500	50.000		1980
49	1080/48i	1080/48i	27.000	48.000		2750

After the data has been recalled from the preset memory about the following signals, you can use these preset data by adjusting SIZE H. Make fine adjustment by adjusting SHIFT.

Signal	Memory No.	SIZE H
Super Mac-2	23	1312
SGI-1	23	1320
Macintosh 19"	25	1328
Macintosh 21"	28	1456
Sony News	36	1708
PC-9821 1280 × 1024	36	1600
WS Sunmicro	37	1664

Note

A part of the screen is displayed in black depending on the aspect ratio of the input signal.

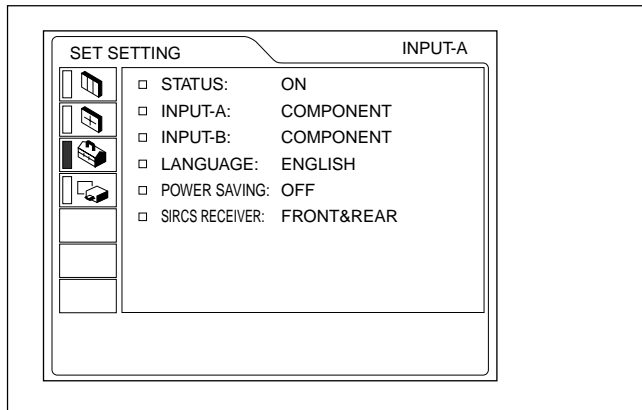
The adjustable items in the VIDEO MEMORY

Items which can set in the VIDEO MEMORY are:

- “CONTRAST”, “BRIGHT”, “COLOR”, “HUE”, “SHARP”, “RGB ENHANCER”, “D.PICTURE”, “COLOR TEMP”, “COLOR SYS” and “DRC-MF” in the PICTURE CTRL menu.
- “ASPECT”, “SCAN CONV”, “V SCROLL” and “TITLE AREA” in the INPUT SETTING menu.

The SET SETTING Menu

The SET SETTING menu is used for changing the settings of the projector.



STATUS (on-screen display)

Sets up the on-screen display.

ON: Shows all of the on-screen displays.

OFF: Turns off the on-screen displays except for the menus, a message when turning off the power, and warning messages.

INPUT-A

Selects the computer, component, DTV YPbPr or DTV GBR signal input from the INPUT A connectors.

Note

If the setting is not correct, “Please check INPUT-A setting.” appears on the screen and the color of the picture becomes strange or the picture is not displayed.

INPUT-B

Selects the computer, component, DTV YPbPr or DTV GBR signal input from the INPUT B connectors.

Notes

- If the setting is not correct, “Please check INPUT-B setting.” appears on the screen and the color of the picture becomes strange or the picture is not displayed.
- Set the progressive component signal, e.g. DVD, to “COMPONENT”; 15k RGB signal, e.g. game machines, to “COMPUTER”.

LANGUAGE

Selects the language used in the menu and on-screen displays.

Available languages are: English, French, German, Italian, Spanish, Japanese and Chinese.

POWER SAVING

When set to ON, the projector goes into the power saving mode if no signal is input for 10 minutes.

The power saving mode is canceled when a signal is input or any key is pressed.

SIRCS RECEIVER

Selects the remote control detectors (SIRCS receiver) on the front and rear of the projector.

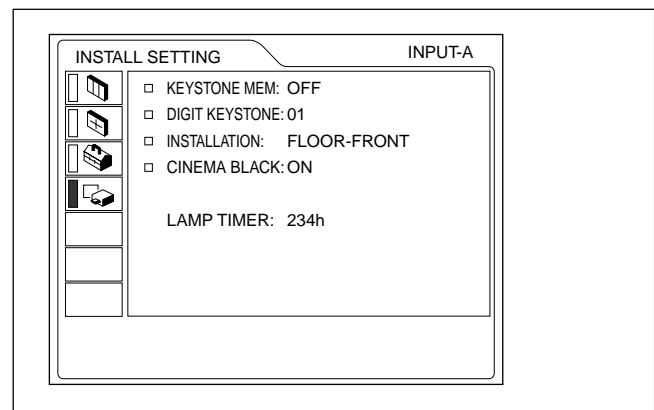
FRONT & REAR: Activates both the front and rear detectors.

FRONT: Activates the front detector only.

REAR: Activates the rear detector only.

The INSTALL SETTING Menu

The INSTALL SETTING menu is used for changing the settings of the projector.



KEYSTONE MEM

ON: DIGIT KEYSTONE setting is stored.

The data is retrieved when the projector power is turned on. The setting will remain the same every time.

OFF: DIGIT KEYSTONE is reset to 0 when the power is turned on the next time.

DIGIT KEYSTONE

Corrects the trapezoid caused by the projection angle. If the base edge is longer, set a negative value; if the upper edge is longer, set a positive value to square the image.

Note

If “ZOOM”, “FULL” or “NORMAL” have been selected in the ASPECT of the INPUT SETTING, you can change the trapezoid.

INSTALLATION

Sets to reverse the picture horizontally or vertically.

FLOOR-FRONT: The picture is not reversed.

CEILING-FRONT: The picture is reversed horizontally and vertically.

FLOOR-REAR: The picture is reversed horizontally.

CEILING-REAR: The picture is reversed vertically.

Note

In case of using a mirror, be careful of installation since the picture may be reversed.

CINEMA BLACK

Switches the lamp wattage during projection.

OFF: Normal wattage.

ON: Enhances the black by reducing the lamp wattage.

If the CINEMA BLACK is set to ON, the next time the power is turned on, the lamp will use the OFF setting for the first minute, and then go to ON. It will take 2 - 3 seconds to change the wattage.

LAMP TIMER

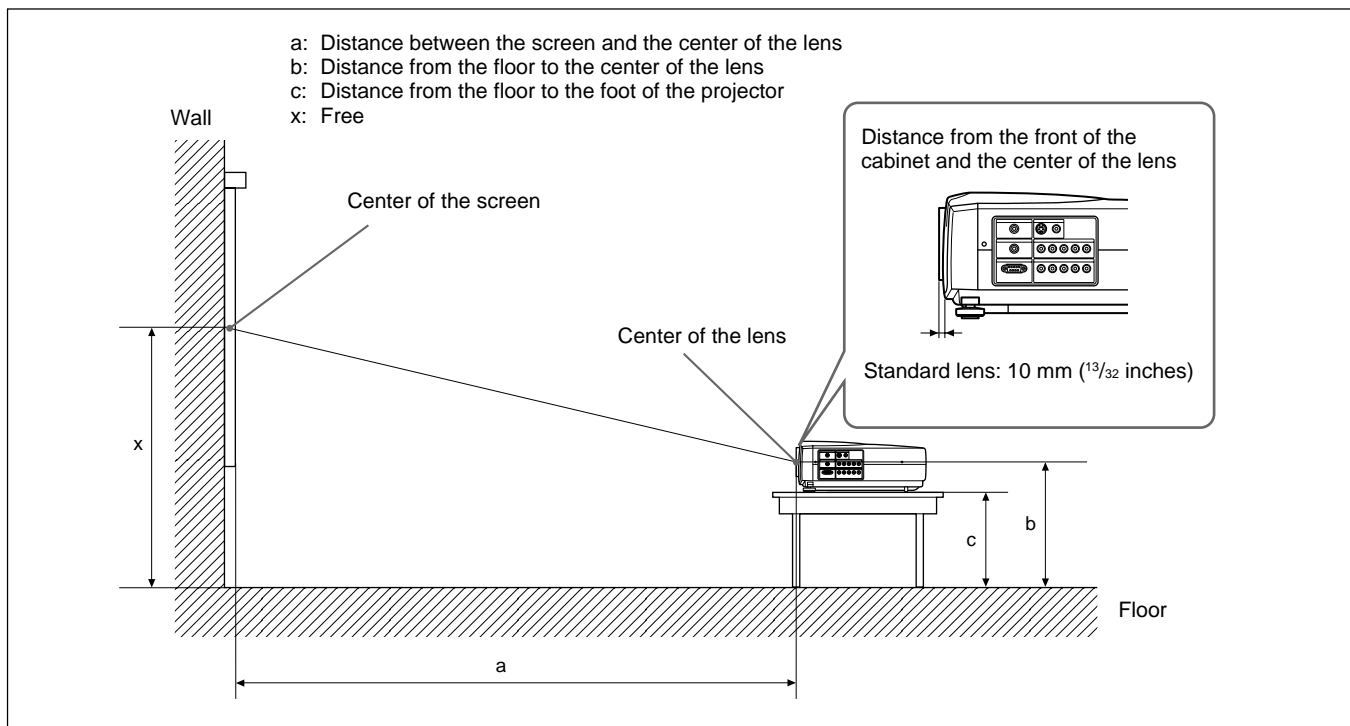
Indicates how long the lamp has been turned on.

Note

This only displays the time. You cannot alter the display.

Installation Examples

Floor Installation



Unit: mm (inches)

16:9 Screen size (inches)		40	60	80	100	120	150	180	200	250	300
a	Minimum	1260 (49 5/8)	1930 (76)	2600 (102 3/8)	3270 (128 7/8)	3930 (154 3/4)	4940 (194 5/8)	5940 (234)	6610 (260 3/8)	8270 (325 3/4)	9940 (391 1/2)
	Maximum	1470 (58)	2240 (88 1/4)	3010 (118 5/32)	3780 (148 7/8)	4550 (179 1/4)	5710 (224 7/8)	6860 (270 1/8)	7630 (300 1/2)	9560 (376 1/2)	11480 (452 1/8)
b		x-249 (9 7/8)	x-374 (14 3/4)	x-498 (19 5/8)	x-623 (24 5/8)	x-747 (29 1/2)	x-934 (36 7/8)	x-1121 (44 1/8)	x-1245 (49 1/8)	x-1556 (61 3/8)	x-1868 (73 5/8)
c		x-349 (13 3/4)	x-473 (18 5/8)	x-598 (23 5/8)	x-722 (28 1/2)	x-847 (33 3/8)	x-1033 (40 3/4)	x-1220 (48 1/8)	x-1345 (53)	x-1656 (65 1/4)	x-1967 (77 1/2)

To calculate the installation measurement (unit: mm)

SS: screen size diagonal (inches)

$$a \text{ (minimum)} = \{(SS \times 44.22/1.3573) - 70.76208\} \times 1.025$$

$$b = x - (SS/1.3573 \times 8.45)$$

$$a \text{ (maximum)} = \{(SS \times 53.599173/1.3573) - 70.17171\} \times 0.975$$

$$c = x - (SS/1.3573 \times 8.45 + 99.5)$$

Unit: mm (inches)

4:3 Screen size (inches)		40	60	80	100	120	150	180	200	250	300
a	Minimum	1560 (61 1/2)	2380 (93 3/4)	3200 (126)	4020 (158 5/8)	4830 (190 1/4)	6060 (238 5/8)	7290 (287 1/8)	8100 (319)	10150 (399 3/4)	12190 (480)
	Maximum	1820 (71 3/4)	2760 (108 3/4)	3700 (145 3/4)	4650 (183 1/8)	5590 (220 1/8)	7000 (275 5/8)	8420 (331 5/8)	9360 (368 5/8)	11720 (461 1/2)	14070 (554 1/8)
b		x-305 (12)	x-457 (18 1/8)	x-610 (24 1/8)	x-762 (30 1/8)	x-915 (36 1/8)	x-1143 (45 1/8)	x-1372 (54 1/8)	x-1524 (60 1/8)	x-1905 (75 1/8)	x-2287 (90 1/8)
c		x-404 (16)	x-557 (22)	x-709 (28)	x-862 (34)	x-1014 (40)	x-1243 (49)	x-1471 (58)	x-1624 (64)	x-2005 (78 31/32)	x-2386 (94)

To calculate the installation measurement (unit: mm)

SS: screen size diagonal (inches)

$$a \text{ (minimum)} = \{(SS \times 44.22/1.1087) - 70.76208\} \times 1.025$$

$$b = x - (SS/1.1087 \times 8.45)$$

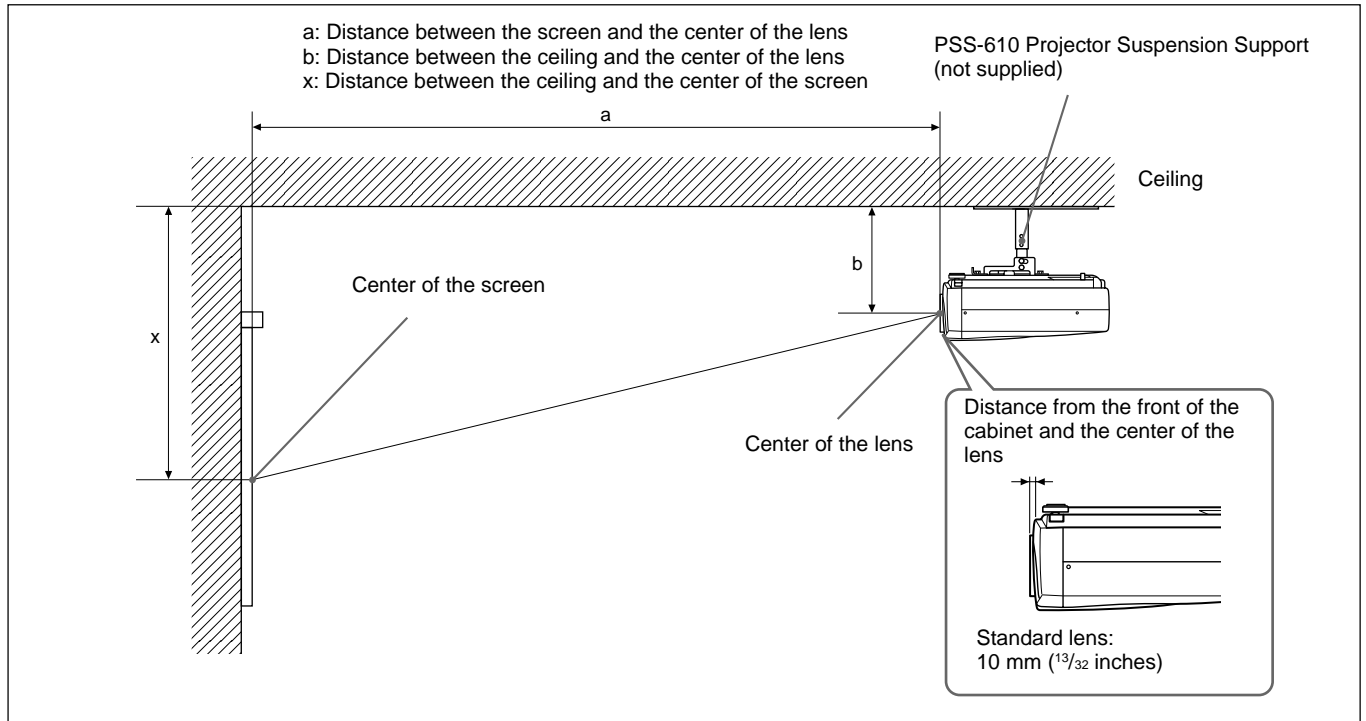
$$a \text{ (maximum)} = \{(SS \times 53.597384/1.1087) - 70.27214\} \times 0.975$$

$$c = x - (SS/1.1087 \times 8.45 + 99.5)$$

Ceiling Installation

When installing the projector on the ceiling, use the PSS-610 Projector Suspension Support.

For ceiling installation, consult with qualified Sony personnel.



Unit: mm (inches)

16:9 Screen size (inches)		80	100	120	150	180	200	250	300
a	Minimum	2600 (102 ³ / ₈)	3270 (128 ⁷ / ₈)	3930 (154 ³ / ₄)	4940 (194 ⁵ / ₈)	5940 (234)	6610 (260 ³ / ₈)	8270 (325 ³ / ₄)	9940 (391 ¹ / ₂)
	Maximum	3010 (118 ⁵ / ₃₂)	3780 (148 ⁷ / ₈)	4550 (179 ¹ / ₄)	5710 (224 ⁷ / ₈)	6860 (270 ¹ / ₈)	7630 (300 ¹ / ₂)	9560 (376 ¹ / ₂)	11480 (452 ¹ / ₈)
x		b+498 (19 ⁵ / ₈)	b+623 (24 ⁵ / ₈)	b+747 (29 ¹ / ₂)	b+934 (36 ⁷ / ₈)	b+1121 (44 ¹ / ₈)	b+1245 (49 ¹ / ₈)	b+1556 (61 ³ / ₈)	b+1868 (73 ⁵ / ₈)
b		247/272/297/347/372/397 mm (9 ³ / ₄ /10 ³ / ₄ /11 ³ / ₄ /13 ³ / ₄ /14 ³ / ₄ /15 ³ / ₄ inches) adjustable when using PSS-610							

To calculate the installation measurement (unit: mm)

SS: screen size diagonal (inches)

$$a \text{ (minimum)} = \{(SS \times 44.22/1.3573) - 70.76208\} \times 1.025$$

$$a \text{ (maximum)} = \{(SS \times 53.599173/1.3573) - 70.17171\} \times 0.975$$

$$x = b + (SS/1.3573 \times 8.45)$$

Unit: mm (inches)

4:3 Screen size (inches)		80	100	120	150	180	200	250	300
a	Minimum	3200 (126)	4020 (158 ⁵ / ₁₆)	4830 (190 ¹ / ₄)	6060 (238 ⁵ / ₈)	7290 (287 ¹ / ₈)	8100 (319)	10150 (399 ³ / ₄)	12190 (480)
	Maximum	3700 (145 ³ / ₄)	4650 (183 ¹ / ₈)	5590 (220 ¹ / ₈)	7000 (275 ⁵ / ₈)	8420 (331 ⁵ / ₈)	9360 (368 ⁵ / ₈)	11720 (461 ¹ / ₂)	14070 (554 ¹ / ₈)
x		b+610 (24 ¹ / ₈)	b+762 (30 ¹ / ₈)	b+915 (36 ¹ / ₈)	b+1143 (45 ¹ / ₈)	b+1372 (54 ¹ / ₈)	b+1524 (60 ¹ / ₈)	b+1905 (75 ¹ / ₈)	b+2287 (90 ¹ / ₈)
b		247/272/297/347/372/397 mm (9 ³ / ₄ /10 ³ / ₄ /11 ³ / ₄ /13 ³ / ₄ /14 ³ / ₄ /15 ³ / ₄ inches) adjustable when using PSS-610							

To calculate the installation measurement (unit: mm)

SS: screen size diagonal (inches)

$$a \text{ (minimum)} = \{(SS \times 44.22/1.1087) - 70.76208\} \times 1.025$$

$$a \text{ (maximum)} = \{(SS \times 53.597384/1.1087) - 70.27214\} \times 0.975$$

$$x = b + (SS/1.1087 \times 8.45)$$

Attaching the projector suspension support PSS-610

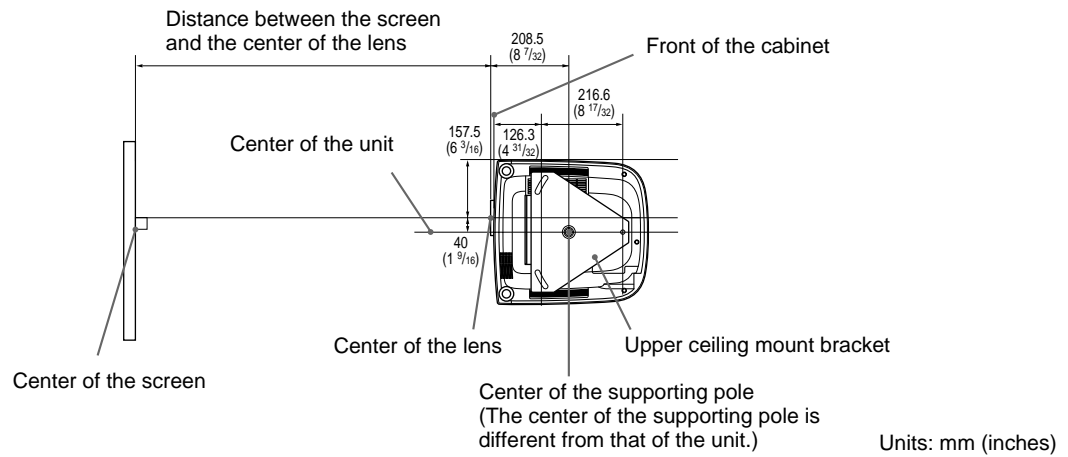
When installing the projector on the ceiling, use the PSS-610 Projector Suspension Support. For more details on the ceiling installation, refer to the

Installation manual for Dealers of the PSS-610. The installation measurements are shown below when you install the projector on the ceiling.

Installation Diagram

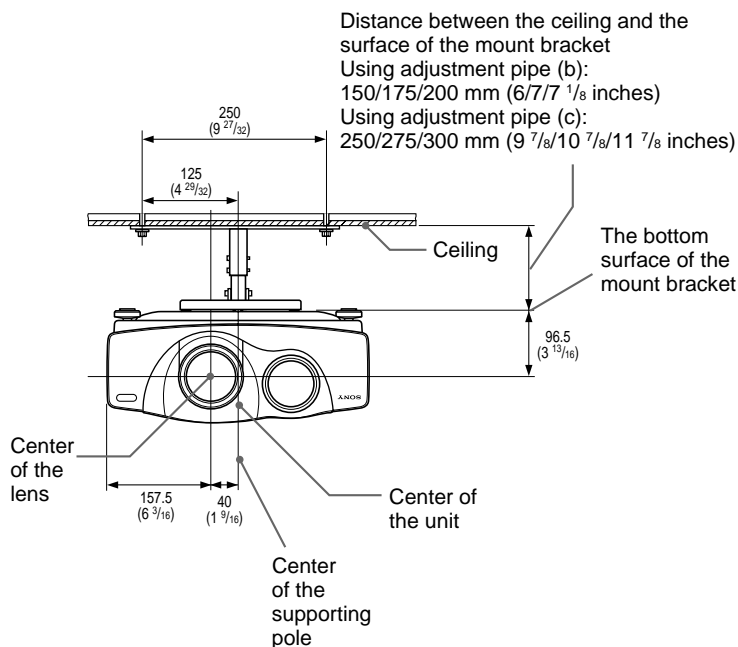
Top view

Align the center of the lens with the center of the screen.

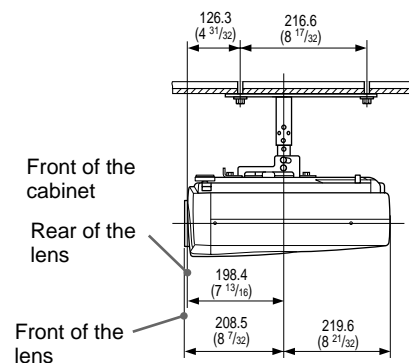


Front view

The lens is offset 40 mm (1 9/16 inch) to the right from the center of the supporting pole. When mounting, take care to align the center of the lens with the center of the screen; not the center of the supporting pole.



Side view

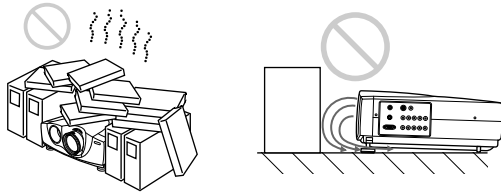


Notes for Installation

Unsuitable Installation

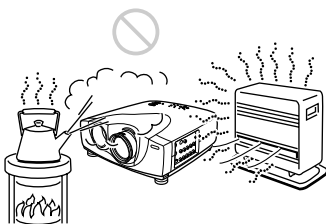
Do not install the projector in the following situations. These installations may cause malfunction or damage to the projector.

Poorly ventilated



- Allow adequate air circulation to prevent internal heat build-up. Do not place the unit on surfaces (rugs, blankets, etc.) or near materials (curtains, draperies) that may block the ventilation holes. When the internal heat builds up due to the block-up, the temperature sensor will function with the message “High Temp.! Lamp off in 1 min.” The power will be turned off automatically after one minute.
- Leave space of more than 30 cm (11 7/8 inches) around the unit.
- Be careful that the ventilation holes may inhale tininess such as a piece of paper.
- If you put something in front of the front ventilation holes, the exhaust may be inhaled into the projector through the ventilation holes at the bottom, causing the internal temperature to rise, which activates the protection circuit. Install the projector so that the exhaust is not blocked.

Highly heated and humid



- Avoid installing the unit in a location where the temperature or humidity is very high, or temperature is very low.
- To avoid moisture condensation, do not install the unit in a location where the temperature may rise rapidly.

Very dusty

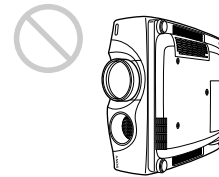


Avoid installing the unit in a location where there is a lot of dust; otherwise, the air filter will be obstructed. The dust blocking the air through the filter may cause raising the internal heat of the projector. Replace it with a new one periodically.

Unsuitable Conditions for Use

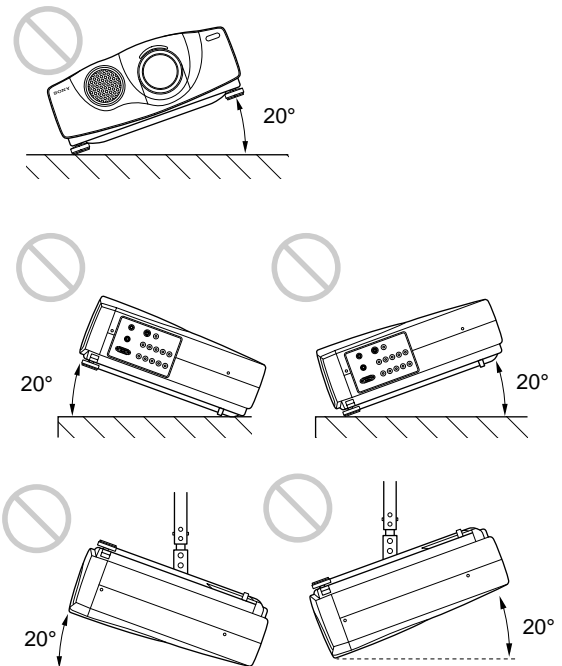
Do not do any of the following.

Topping of the unit



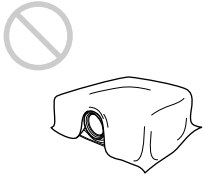
Avoid using as the unit topples over on its side. It may cause malfunction.

Tilting front/rear and right/left

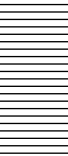


Avoid using as the unit tilts more than 20 degrees. Do not install the unit other than on the floor or ceiling. These installation may cause malfunction.

Blocking the ventilation holes



Avoid using something to cover over the ventilation holes; otherwise, the internal heat may build up.



Maintenance

Notes

- If the lamp breaks, consult with qualified Sony personnel.
- Pull out the lamp unit by holding the handle. If you touch the lamp unit, you may be burned or injured.
- When removing the lamp unit, make sure it remains horizontal, then pull straight up. Do not tilt the lamp unit. If you pull out the lamp unit while tilted and if the lamp breaks, the pieces may scatter, causing injury.

Replacing the Lamp

When the lamp becomes darker, replace the lamp promptly with a new LMP-P200 Projector Lamp (not supplied).

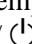
It is recommended to replace the lamp with a new one after about 1000 hours for the OFF setting, or about 2000 hours for the ON setting in the CINEMA BLACK.

When it is time to change the lamp, a message which says, "Please replace the LAMP." will be displayed.

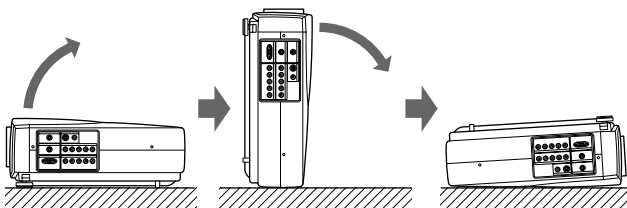
When replacing the lamp after using the projector

Turn off the projector, then unplug the power cord. Wait for at least an hour for the lamp to cool.

Note

The lamp becomes a high temperature after turning off the projector with the I /  key. If you touch the lamp, you may scald your finger. When you replace the lamp, wait for at least an hour for the lamp to cool.

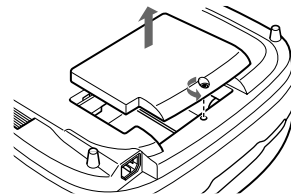
- 1 Place a protective sheet (cloth) beneath the projector.
Hold the projector and turn the projector toward the back as shown below.



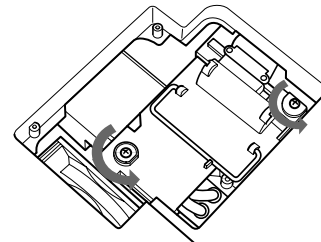
Note

When replacing the lamp, be sure the unit is on a flat and stable surface.

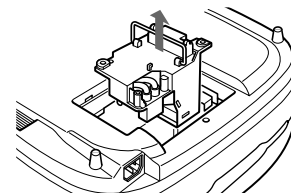
- 2 Open the lamp cover by loosening one screw with the Philips screwdriver (supplied with the LMP-P200 Projector Lamp).



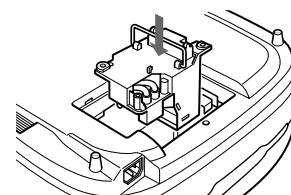
- 3 Loosen two screws on the lamp unit with the Philips screwdriver.



- 4 While holding the handle and keeping the lamp unit horizontal, pull straight up.



- 5 Insert the new lamp all the way in until it is securely in place. Tighten the screws. Fold down the handle.



Notes

- Be careful not to touch the glass surface of the lamp.
- The power will not turn on if the lamp is not secured properly.

- 6 Close the lamp cover and tighten the screw.
- 7 Turn the projector back over.
- 8 Connect the power cord and turn the projector to the standby mode.
- 9 Press the following keys on the control panel in the following order for less than in five seconds each: RESET, ←, →, ENTER.

Notes

- Do not put your hands into the lamp replacement spot, or not fall any liquid or object into it to avoid electrical shock or fire.
- Be sure to use the LMP-P200 Projector Lamp for replacement. If you use lamps other than LMP-P200, the projector may cause a malfunction.
- Be sure to turn off the projector and unplug the power cord before replacing the lamp.

Disposal of used projector lamp

As the materials used in this lamp are similar to those of a fluorescent lamp, you should dispose of a used projector lamp in the same way as a fluorescent lamp.

Replacing the Air Filter

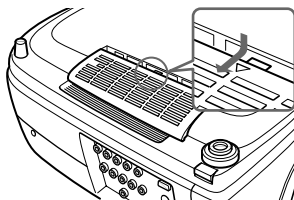
The air filter should be replaced with a new one every 500 hours.

To replace the air filter, follow the steps below:

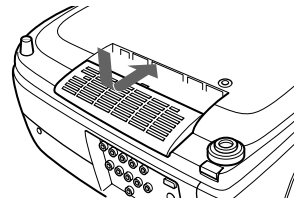
Note

If you do not replace the air filter regularly, the filter may start to clog with dust after about 500 hours of use. If this happens and the internal temperature of the unit rises, the heat protection function may prevent the use of the projector for a short time. This filter cannot be cleaned; please replace it on a regular basis.

- 1 Turn off the power and unplug the power cord.
- 2 While pressing the triangle mark on the air filter, slide and remove the air filter (at the bottom of the projector).



- 3 Attach the new air filter aligning with the guides on the projector. Slide the air filter until it clicks.



Notes

- Be sure to attach the air filter firmly; the power will not be turned on if it is not closed securely.
- Replace the air filter as needed. Calculate the hours of use from the “LAMP TIMER” (see page 28 (GB)), and use the criteria given below to decide when to replace the air filter.
 - 15 hours use per week: About 8 months
 - 30 hours use per week: About 4 months
 - 60 hours use per week: About 2 months

Troubleshooting

If the projector appears to be operating erratically, try to diagnose and correct the problem, using the following guide. If the problem still persists, consult with qualified Sony personnel.

Power

Symptom	Cause	Remedy
The power is not turned on.	The power has been turned off and on with the I / ⏻ key at a short interval.	Wait for about 120 seconds before turning on the power (see page 20 (GB)).
	The lamp cover is detached.	Close the lamp cover securely (see page 34 (GB)).
	The air filter is detached.	Close the air filter securely (see page 35(GB)).

Image

Symptom	Cause	Remedy
No picture.	Cable is disconnected or not connected properly.	Check that the proper connections have been made (see pages 15 (GB) and 16 (GB)).
	Invalid input setting.	Set the INPUT-A/B setting according to the input signal.
	Input selection is incorrect.	Select the input source correctly using the INPUT key (see page 18 (GB)).
	Picture is cut off.	Press the MUTING PIC key to release the muting function (see page 18 (GB)).
	The computer output signals are not set to output from an external monitor.	Set the computer signal to output to external monitor (see page 16 (GB)).
	The computer signal is set to output to both the LCD of the computer and external monitor.	Set the computer signal to output only to external monitor (see page 16 (GB)).
The picture is noisy.	If you input computer signals, some noise will appear in the background on certain screens depending on the number of dots in the input signals and LCD pixels.	Change the desktop pattern on the connected computer.
On-screen display does not appear.	STATUS in the SET SETTING menu has been set to OFF.	Set STATUS in the SET SETTING menu to ON (see page 27 (GB)).

Remote Commander

Symptom	Cause	Remedy
The Remote Commander does not work.	The Remote Commander batteries are dead.	Replace with new batteries (see page 14 (GB)).
	The remote control cable is not connected to the CONTROL S IN connector (projector) or CONTROL S OUT (Remote Commander).	Connect the remote control cable to both the projector and Remote Commander, or disconnect the cable. (see page 13 (GB)).
	The front/rear remote control detector is near the fluorescent lamp.	Change the setting of SIRCS RECEIVER in the SET SETTING menu (see page 27 (GB)).
	The Remote Commander is used as wired without batteries.	Install batteries (see page 14 (GB)).

Others

Symptom	Cause	Remedy
The LAMP/COVER indicator flashes.	The lamp cover or the air filter is detached.	Attach the lamp cover or the air filter securely (see pages 34 (GB) and 35 (GB)).
The LAMP/COVER indicator lights up.	The lamp has reached the end of its life.	Replace the lamp (see page 34 (GB)).
	The lamp becomes a high temperature.	Wait for 120 seconds to cool down the lamp and turn on the power again (see page 20 (GB)).
The TEMP/FAN indicator flashes.	The fan is broken.	Consult with qualified Sony personnel.
The TEMP/FAN indicator lights up.	The internal temperature is unusually high.	Check to see if nothing is blocking the ventilation holes. Check to see if the air filter has been used over 500 hours.
Both LAMP/COVER and TEMP/FAN indicators light up.	The electric system failed.	Consult with qualified Sony personnel.

Warning messages

Use the list below to check the meaning of the messages displayed on the screen.

Message	Meaning	Remedy
High temp.! Lamp off in 1 min.	Internal temperature is too high.	Turn off the power. Check to see if nothing is blocking the ventilation holes. Check to see if the air filter has been used over 500 hours.
Frequency is out of range!	This input signal cannot be projected as the frequency is out of the acceptable range of the projector.	Input a signal that is within the range of the frequency.
	The resolution setting of the output signal of a computer is too high.	Set the setting of output to the XGA (see page 16 (GB)).
Please check INPUT-A setting.	You have input RGB signal from the computer when INPUT-A in the SET SETTING menu is set to COMPONENT, DTV YPbPr or DTV GBR.	Set INPUT-A correctly (see page 27 (GB)).
Please check INPUT-B setting.	You have input RGB signal from the computer when INPUT-B in the SET SETTING menu is set to COMPONENT, DTV YPbPr or DTV GBR.	Set INPUT-B correctly (see page 27 (GB)).
Please replace the LAMP.	It is time to replace the lamp.	Please replace the lamp.

Caution messages

Use the list below to check the meaning of the messages displayed on the screen.

Message	Meaning	Remedy
NO INPUT	No input signal	Check connections (see page 15 (GB) and 16 (GB)).
Not applicable!	You have pressed the wrong key.	Press the appropriate key.

Specifications

Optical characteristics

Projection system	3 LCD panels, 1 lens, projection system
LCD panel	1.35-inch p-Si TFT LCD panel 3,147,264 pixels (1,049,088 pixels × 3)
Lens	Approx. 1.2 times zoom lens f 44.6 to 53.6 mm/F 2.2 to 2.5
Lamp	200 W UHP
Projection picture size	Range: 40 to 300 inches (diagonal measure)
Light output	ANSI lumen ¹⁾ 1000 lm
Throwing distance	<16:9> 40-inch: 1260 to 1470 mm (49 ⁵ / ₈ to 58 inches) 60-inch: 1930 to 2240 mm (76 to 88 ¹ / ₄ inches) 80-inch: 2600 to 3010 mm (102 ³ / ₈ to 118 ⁵ / ₈ inches) 100-inch: 3270 to 3780 mm (128 ⁷ / ₈ to 148 ⁷ / ₈ inches) 120-inch: 3930 to 4550 mm (154 ³ / ₄ to 179 ¹ / ₄ inches) 150-inch: 4940 to 5710 mm (194 ⁵ / ₈ to 224 ⁷ / ₈ inches) 180-inch: 5940 to 6860 mm (234 to 270 ¹ / ₈ inches) 200-inch: 6610 to 7630 mm (260 ³ / ₈ to 300 ¹ / ₂ inches) 250-inch: 8270 to 9560 mm (325 ³ / ₄ to 376 ¹ / ₂ inches) 300-inch: 9940 to 11480 mm (391 ¹ / ₂ to 452 ¹ / ₈ inches) <4:3> 40-inch: 1560 to 1820 mm (61 ¹ / ₂ to 71 ³ / ₄ inches) 60-inch: 2380 to 2760 mm (93 ³ / ₄ to 108 ³ / ₄ inches) 80-inch: 3200 to 3700 mm (126 to 145 ³ / ₄ inches) 100-inch: 4020 to 4650 mm (158 ⁵ / ₁₆ to 183 ¹ / ₈ inches) 120-inch: 4830 to 5590 mm (190 ¹ / ₄ to 220 ¹ / ₈ inches) 150-inch: 6060 to 7000 mm (238 ⁵ / ₈ to 275 ⁵ / ₈ inches) 180-inch: 7290 to 8420 mm (287 ¹ / ₈ to 331 ⁵ / ₈ inches)

200-inch:	8100 to 9360 mm (319 to 368 ⁵ / ₈ inches)
250-inch:	10150 to 11720 mm (399 ³ / ₄ to 461 ¹ / ₂ inches)
300-inch:	12190 to 14070 mm (480 to 554 ¹ / ₈ inches)

Electrical characteristics

Color system	NTSC _{3.58} /PAL/SECAM/NTSC _{4.43} / PAL-M/PAL-N system, switched automatically/manually
Resolution	750 horizontal TV lines (Video input) 1366 × 768 pixels (RGB input)
Acceptable computer signals	fH: 15 to 80 kHz fV: 50 to 85 Hz

Input/Output

VIDEO IN	VIDEO: RCA type Composite video: 1 Vp-p ±2 dB sync negative (75 ohms terminated) S VIDEO: Y/C mini DIN 4-pin type (female) Y (luminance): 1 Vp-p ±2 dB sync negative (75 ohms terminated) C (chrominance): burst 0.286 Vp-p ±2 dB (NTSC) (75 ohms terminated), burst 0.3 Vp-p ±2 dB (PAL) (75 ohms terminated)
INPUT A/B	Component/Progressive component/HDTV/RGB: RCA type (female) G: 0.7 Vp-p ±2 dB (75 ohms terminated) G with sync/Y: 1 Vp-p ±2 dB sync negative (75 ohms terminated) B/CB/PB: 0.7 Vp-p ±2 dB R/CR/PR: 0.7 Vp-p ±2 dB (75 ohms terminated) SYNC/HD: Composite sync input: 1-5 Vp-p high impedance, positive/ negative Horizontal sync input: 1-5 Vp-p high impedance, positive/ negative

1) ANSI lumen is a measuring method of American National Standard IT 7.228.

	VD:
	Vertical sync input: 1-5 V _{p-p} high impedance, positive/ negative
REMOTE CONTROL S IN/PLUG IN POWER	RS-232C: D-sub 9-pin (female)
	Stereo minijack 5V _{p-p} , plug in power, DC5V
TRIGGER	Power on: DC 12V 4.7k ohm output impedance Power off: 0 V
Safety regulations:	UL, cUL (CSA), FCC Class B, IC Class B, EN60 950, CE, C-Tick

General

Dimensions	395 × 168 × 427 mm (13 ³ / ₈ × 5 ⁵ / ₈ × 13 ¹ / ₄ inches) (w/h/d)
Mass	Approx. 8 kg (17 lb 10 oz)
Power requirements	AC 100 to 240 V, 50/60 Hz
Power consumption	Max. 300 W (Standby mode: 6 W)
Peak inrush current	(1) Power ON, current probe method: 58.0A (240V) (2) Hot switching inrush current, measured in accordance with European standard EN55103-1: 24.3A (230V)
Operating temperature	0°C to 40°C (32°F to 104°F)
Operating humidity	35% to 85% (no condensation)
Storage temperature	-20°C to 60°C (-4°F to 140°F)
Storage humidity	10% to 90%
Supplied accessories	Remote Commander RM-PJVW10 (1) Size AA (R6) batteries (2) Lens Cap (1) AC power cord (1) Air filter (for replacement) (1) Operating Instructions (1)

Design and specifications are subject to change
without notice.

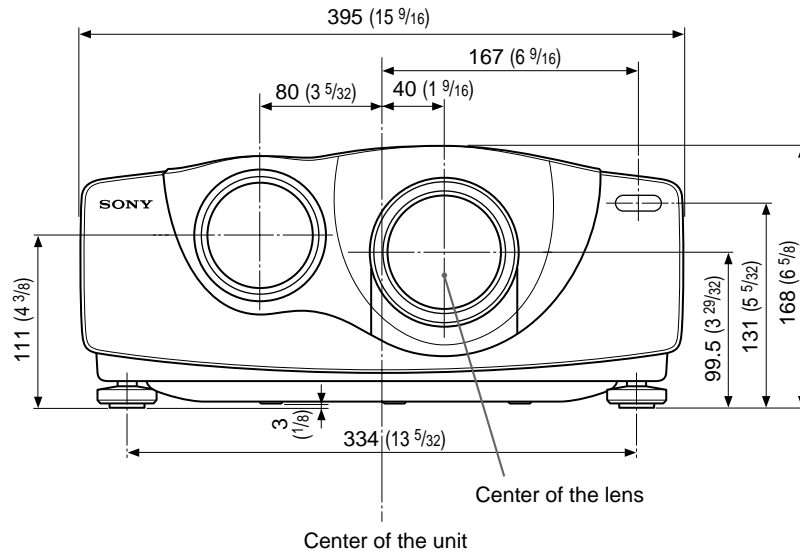
Optional accessories

Projector Lamp LMP-P200 (for replacement)
Projector Suspension Support PSS-610

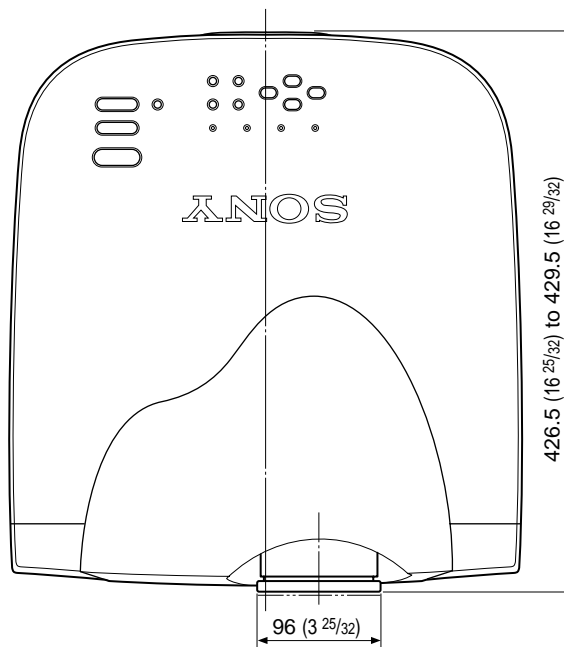
*Some of the items may not be available in some areas. For
details, please consult your nearest Sony office.*

Dimensions

Front

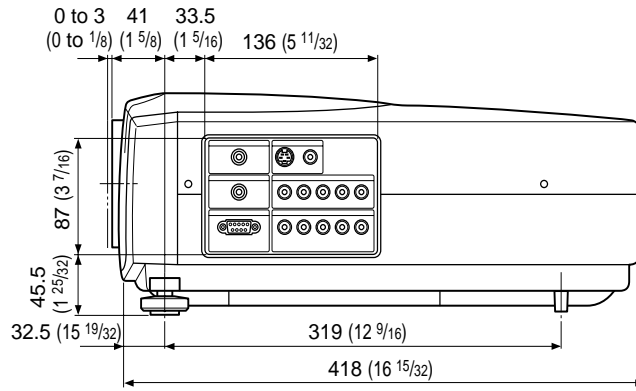


Top

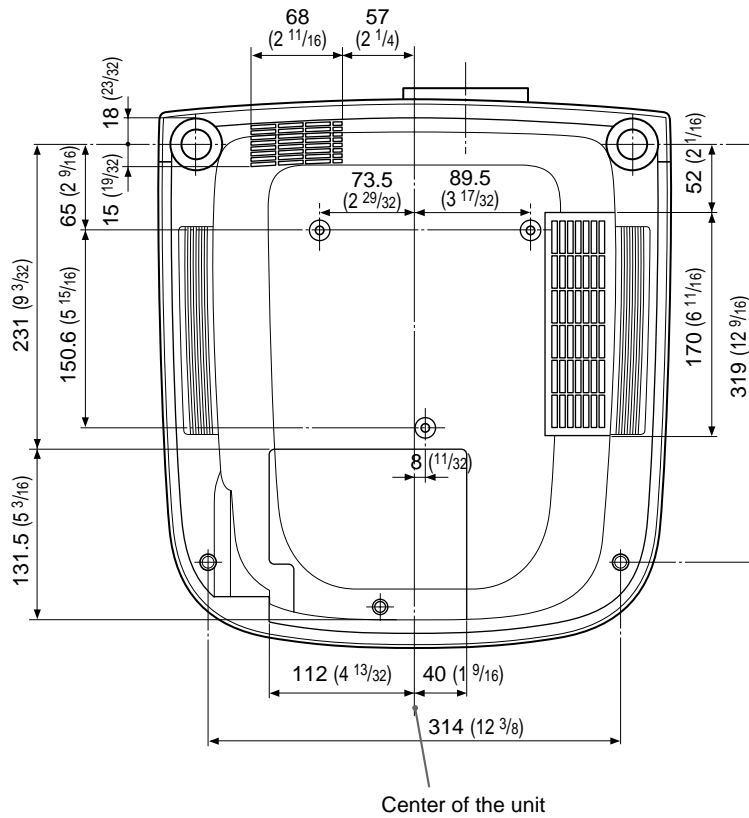


Unit: mm (inches)

Side



Bottom



Unit: mm (inches)

Index

A

Adjuster 10 (GB), 22 (GB)
 Adjusting
 memory of the settings 21 (GB)
 the picture 21 (GB), 22 (GB)
 the picture size/shift 23 (GB), 24 (GB)
 Adjusting the size of the picture 18 (GB)
 Air filter 35 (GB)
 ASPECT 24 (GB)

B

Battery
 installation 14 (GB)
 notes 14 (GB)
 BRIGHT 22 (GB)

C

CINEMA BLACK 28 (GB)
 COLOR 22 (GB)
 COLOR SYS (System) 22 (GB)
 COLOR TEMP 22 (GB)
 Condensation 32 (GB)
 Connections
 component equipment 15 (GB)
 computer 16 (GB)
 VCR 15 (GB)
 CONTRAST 22 (GB)
 Cut off the picture 18 (GB)

D, E, F, G

DIGIT KEYSTONE 28 (GB)
 Dimensions 40 (GB)
 D. (Dynamic) PICTURE 22 (GB)
 DOT PHASE 23 (GB)
 DRC-MF 22 (GB)

H

HUE 22 (GB)

I, J, K

INPUT-A 27 (GB)
 INPUT-B 27 (GB)
 INPUT SETTING menu 23 (GB)
 INSTALL SETTING menu 27 (GB)
 INSTALLATION 28 (GB)
 Installation examples 29 (GB)
 on a ceiling 30 (GB)
 on a floor 29 (GB)
 KEYSTONE MEM 27 (GB)

L

Lamp replacement 34 (GB)
 LAMP TIMER 28 (GB)
 LANGUAGE 27 (GB)
 Location and function of controls
 connector panel 12 (GB)
 control panel 11 (GB)
 front/left side 9 (GB)
 rear/right side/bottom 9 (GB)
 Remote Commander 13 (GB)

M, N

Menu
 clearing the menu display 17 (GB)
 INPUT SETTING menu 23 (GB)
 INSTALL SETTING menu 27 (GB)
 PICTURE CTRL menu 22 (GB)
 SET SETTING menu 27 (GB)
 using the menu 21 (GB)

Messages

 cautions 37 (GB)
 warnings 37 (GB)
 Notes for Installation 32 (GB)
 Unsuitable Conditions for Use 32 (GB)
 Unsuitable Installation 32 (GB)

O

Optional accessories 39 (GB)

P, Q

PICTURE CTRL menu 22 (GB)
 Power
 turn off 20 (GB)
 turn on 18 (GB)
 POWER SAVING 11 (GB), 27 (GB)
 Precautions 7 (GB)
 Projecting 18 (GB)
 PSS-610 Projector Suspension
 Support 30 (GB)

R

Remote Commander
 battery installation 14 (GB)
 location and function of
 controls 13 (GB)
 Remote control detector
 front 9 (GB)
 rear 9 (GB)
 Reset
 resettable items 21 (GB)
 resetting the item 21 (GB)
 RGB ENHANCER 22 (GB)
 RS-232C connector 12 (GB)

S

SCAN CONV
 (Scan converter) 25 (GB)
 Screen size
 14 (GB), 29 (GB), 30 (GB), 38 (GB)
 SET SETTING menu 27 (GB)
 SHARP 22 (GB)
 SHIFT 24 (GB)
 SIRCS RECEIVER 9 (GB), 27 (GB)
 SIZE H 23 (GB)
 Specifications 38 (GB)
 STATUS (on-screen display) 27 (GB)
 Supplied accessories 39 (GB)

T, U

TITLE AREA 25 (GB)
 Troubleshooting 36 (GB)

V, W, X, Y, Z

Ventilation holes
 exhaust 9 (GB)
 intake 10 (GB)
 VIDEO MEMORY 25 (GB)
 V SCROLL 25 (GB)

AVERTISSEMENT

Pour éviter tout risque d'incendie ou d'électrocution, ne pas exposer cet appareil à la pluie ou à l'humidité.

Pour prévenir tout risque d'électrocution, ne pas ouvrir le boîtier. Confier l'entretien de cet appareil exclusivement à un personnel qualifié.

Pour les utilisateurs au Canada

Cet appareil numérique de la classe B est conforme à la norme NMB-003 du Canada.

La prise doit être près de l'appareil et facile d'accès.

Pour les clients européens

Ce produit portant la marque CE est conforme à la fois à la Directive sur la compatibilité électromagnétique (EMC) (89/336/CEE) et à la Directive sur les basses tensions (73/23/CEE) émises par la Commission de la Communauté européenne.

La conformité à ces directives implique la conformité aux normes européennes suivantes:

- EN60950: Sécurité des produits
- EN55103-1: Interférences électromagnétiques (émission)
- EN55103-2: Sensibilité électromagnétique (immunité)

Ce produit est prévu pour être utilisé dans les environnements électromagnétiques suivants:

E1 (résidentiel), E2 (commercial et industrie légère), E3 (urbain extérieur) et E4 (environnement EMC contrôlé ex. studio de télévision).

Avertissement sur la connexion électrique

Utilisez un cordon d'alimentation approprié à votre tension secteur locale.

	Etats-Unis, Canada		Europe continentale		Royaume-Uni, Irlande, Australie, Nouvelle-Zélande	Japon
Type de fiche	VM0233	290B	YP-12A	COX-07	— ¹⁾	VM1296
Extrémité femelle	VM0089	386A	YC-13B	COX-02	VM0310B	VM10505
Type de cordon	SJT	SJT	H05VV-F	H05VV-F	N13237/CO-228	HVCTF
Tension et courant nominal	10A/125V	10A/125V	10A/250V	10A/250V	10A/250V	13A/125V
Agréation de sécurité	UL/CSA	UL/CSA	VDE	VDE	VDE	DENTORI

1) Utilisez la fiche correcte pour votre pays.

Table des matières

Présentation

Précautions	5 (FR)
Caractéristiques	6 (FR)
Emplacement et fonction des commandes	7 (FR)
Avant/Côté gauche	7 (FR)
Arrière/Côté droit/Dessous	7 (FR)
Panneau de commande	9 (FR)
Panneau des connecteurs	10 (FR)
Télécommande	11 (FR)

Installation et projection

Installation du projecteur	12 (FR)
Raccordement	13 (FR)
Raccordement à un magnétoscope /système à signal RVB 15k/à composantes progressif	13 (FR)
Raccordement à un ordinateur	14 (FR)
Sélection de la langue d'affichage des menus	15 (FR)
Projection	16 (FR)

Ajustements et réglages à l'aide du menu

Utilisation du MENU	19 (FR)
Le menu CTRL IMAGE	20 (FR)
Le menu REGL ENTREE	21 (FR)
Le menu REGLAGE	25 (FR)
Le menu REGL. INSTAL.	26 (FR)

Installation

Exemples d'installation	27 (FR)
Installation au sol	27 (FR)
Installation au plafond	28 (FR)
Remarques concernant l'installation	30 (FR)
Installation déconseillée	30 (FR)
Conditions d'utilisation déconseillées	30 (FR)

Entretien

Entretien	32 (FR)
Remplacement de la lampe	32 (FR)
Remplacement du filtre à air	33 (FR)
Dépannage	34 (FR)

Divers

Spécifications	36 (FR)
Index	40 (FR)

Précautions



Sécurité

- Vérifiez si la tension de service de votre appareil est identique à la tension secteur locale.
- Si des liquides ou des solides venaient à pénétrer dans le châssis, débranchez l'appareil et faites-le vérifier par le personnel qualifié avant de le remettre en service.
- Débranchez l'appareil de la prise murale si vous prévoyez de ne pas l'utiliser pendant plusieurs jours.
- Pour débrancher le câble, saisissez-le par la fiche. Ne tirez jamais sur le câble proprement dit.
- La prise d'alimentation doit se trouver à proximité de l'appareil et être aisément accessible.
- L'appareil n'est pas déconnecté de la source d'alimentation (secteur) aussi longtemps qu'il reste branché sur la prise murale, même si l'appareil proprement dit a été mis hors tension.
- Ne regardez pas vers l'objectif lorsque la lampe est allumée.
- Ne placez pas la main ou d'autres objets à proximité des orifices de ventilation — l'air expulsé est brûlant.
- Veillez à ne pas vous coincer les doigts dans le support réglable lorsque vous soulevez le projecteur. Ne poussez pas trop fort sur le dessus du projecteur lorsque le support réglable est abaissé.

Eclairage

- Pour obtenir la meilleure qualité d'image possible, l'avant de l'écran ne doit pas être directement exposé à la source d'éclairage ni au rayonnement solaire.
- Nous préconisons un éclairage au moyen de spots fixés au plafond. Placez un écran sur les lampes fluorescentes de façon à éviter une altération du niveau de contraste.
- Occultez les fenêtres qui font face à l'écran au moyen de draperies opaques.
- Il est préférable d'installer le projecteur dans une pièce où le sol et les murs ne sont pas revêtus d'un matériau réfléchissant la lumière. Si le sol et les murs réfléchissent la lumière, nous vous conseillons de remplacer le revêtement du sol et des murs par une couleur sombre.

Prévention de la surchauffe interne

Après avoir mis l'appareil hors tension au moyen de la touche  de la télécommande ou la touche I /  du panneau de commande, ne débranchez pas l'appareil de la prise secteur tant que le ventilateur de refroidissement continue à tourner.

Attention

Le projecteur est équipé d'orifices de ventilation (prise d'air) au bas et d'orifices de ventilation (sortie d'air) à l'avant. N'obstruez pas ces orifices et ne placez rien à proximité, car vous risqueriez de provoquer une surchauffe interne pouvant entraîner une altération de l'image ou des dommages au projecteur.

Entretien

- Pour conserver au châssis l'éclat du neuf, nettoyez-le régulièrement à l'aide d'un chiffon doux. Les taches tenaces s'éliminent en frottant avec un chiffon doux légèrement imprégné d'une solution détergente neutre. N'utilisez en aucun cas des solvants puissants tels que du diluant ou de la benzine ni de nettoyeurs abrasifs qui risqueraient d'altérer le fini du châssis.
- Ne touchez pas l'objectif. Pour éliminer la poussière de l'objectif, utilisez un chiffon doux et sec. N'utilisez pas de chiffon humide, de solution détergente ni de diluant.
- Remplacez le filtre à air à intervalles réguliers, c'est-à-dire toutes les 500 heures.

Remballage

Conservez le carton d'emballage et les matériaux de conditionnement d'origine, car ils constituent une protection idéale en vue du transport de l'appareil. Pour une protection maximale, remballer votre appareil comme il a été emballé à l'origine en usine.

Sur le projecteur LCD

Le projecteur LCD est fabriqué selon une technologie de haute précision. Il se peut cependant que de petits points noirs et/ou des points lumineux (rouge, bleu ou vert) apparaissent continuellement sur le projecteur LCD. Il s'agit d'un résultat normal du processus de fabrication qui n'indique pas un dysfonctionnement.

Caractéristiques

Luminosité élevée, haute qualité d'image

• Nouveau panneau LCD élargi

Le nouveau panneau LCD élargi à haute résolution (1366 × 768 points) assure une uniformité accrue, une réduction des images fantômes et un contraste optimisé.

• Luminosité élevée – 1000 lumens ANSI

Le panneau LCD avec ses nouveaux modèles de lampe UHP de 200W, d'unité optique et d'objectif assure une luminosité élevée de 1000 lumens ANSI (projection 16:9e), ce qui permet une visualisation à domicile optimisée.

• Image de haute qualité

En plus du nouveau panneau LCD élargi, diverses fonctions sont désormais disponibles sur le projecteur. Il s'agit entre autres des fonctions DRC-MF (Digital Reality Creation Multifunction) (technologie d'image de haute qualité propre à Sony); 3-D Gamma Correction, offrant une excellente uniformité; Cinema Black Mode, un mode permettant de réduire le niveau de noir en fonction de la source d'entrée/environnement de projection; et 3-D YC Separation/DNR (NTSC), une fonction qui reproduit une image claire sans parasites.

Haut degré d'adaptabilité dans l'environnement domestique

• Réduction des parasites

La sortie d'air frontale est reliée à un ventilateur et à un conduit d'air internes. Cela signifie que la distance entre le ventilateur et la sortie d'air est longue, ce qui réduit considérablement les bruits du ventilateur.

• Configuration flexible

L'objectif de projection est doté d'une courte focale (90 pouces avec 2,9 m (9,5 pieds) (16:9)). La fonction de correction de trapèze permet la projection en mode de grand angle. La couleur blanche du projecteur est coordonnée à toutes les couleurs de murs, plafonds, etc.

Ecran large /DTV/Télévision à haute définition

• Ecran large

Ce projecteur utilise un panneau LCD de rapport d'écran de 16:9, ce qui autorise sept modes d'écran (ZOOM, PLEIN, SOUS-TITRE, ZOOM LARGE,

etc.) à l'aide de tous les pixels du panneau (1366 × 768). Il autorise le mode DIRECT NORMAL et le DIRECT PLEIN comme mode direct qui reproduit une image nette avec le mappage un/un.

• DVD, DTV, télévision à haute définition

L'image super-précise du projecteur dépasse 3,14 millions de pixels. Elle est également compatible avec les signaux télévisés DTV (télévision numérique) et de télévision à haute définition de la nouvelle génération. En combinaison avec un syntoniseur ou un décodeur MUSE (en option), vous pouvez exploiter la télévision DTV, la télévision à haute définition, des LD à haute définition, etc.

Mémoire vidéo

Le projecteur est doté d'une fonction de mémoire vidéo. L'utilisateur peut mémoriser 6 réglages (qualité de l'image, format, température des couleurs, DRC-MF, etc.) en fonction de la source d'entrée. L'utilisateur peut directement rappeler l'un des réglages à l'aide de la télécommande.

Compatibilité multi-balayage

• Convertisseur de balayage intégré

Ce projecteur est doté d'un convertisseur de balayage intégré qui convertit les signaux d'entrée en 1366 × 768 pixels.

• Signaux d'entrée

Le projecteur peut accepter les signaux vidéo suivants : Composite, S-vidéo, à composantes, à composantes progressif, DTV (480i/p, 720p/1080i), HDTV, RVB 15k, VGA, SVGA, XGA et SXGA.

• Compatible avec six systèmes couleur

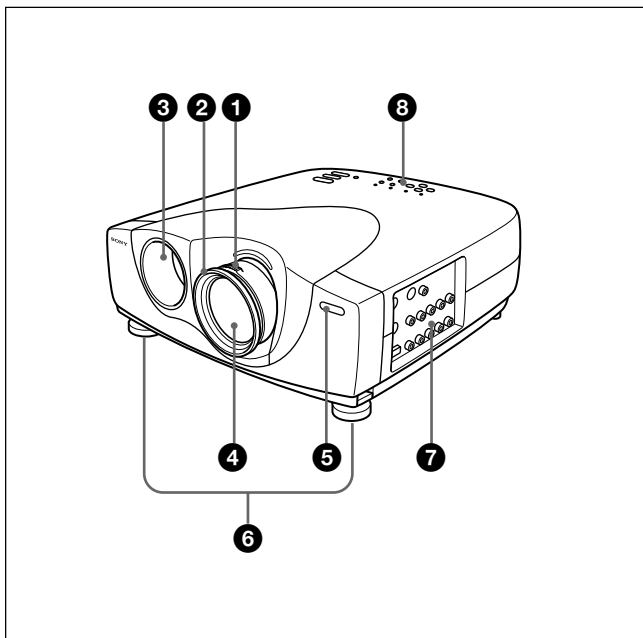
Les systèmes couleur NTSC^{3.58}, PAL, SECAM, NTSC^{4.43¹⁾}, PAL-M et PAL-N peuvent être sélectionnés automatiquement ou manuellement.

-
- VGA, SVGA, XGA et SXGA sont des marques commerciales déposées d'International Business Machines Corporation, U.S.A.
 - VESA est une marque commerciale déposée de Video Electronics Standard Association.
 - IBM et PC/AT sont une marque de commerce et une marque de commerce déposée par International Business Machines Corporation aux Etats-Unis.
 - Macintosh est une marque commerciale déposée par Apple Computer, Inc.
 - NEC est une marque de commerce déposée de NEC Corporation.
 - PC-98 est une marque de commerce déposée de NEC Corporation.

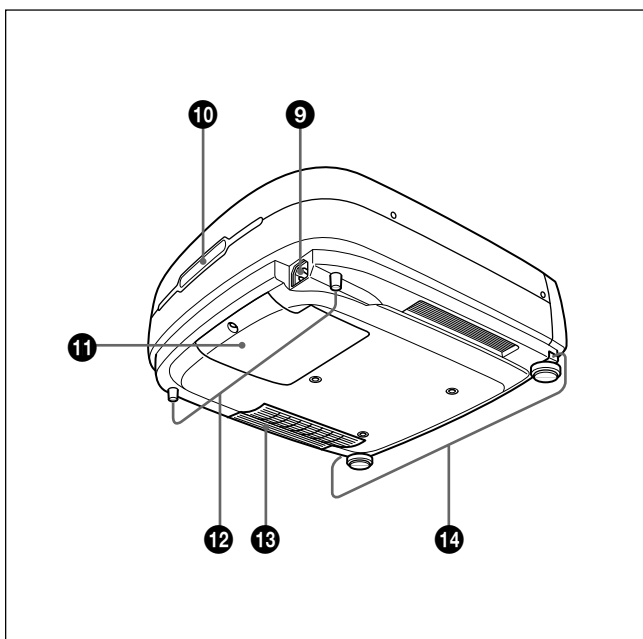
1) NTSC^{4.43} est le système couleur utilisé pour la lecture d'une source vidéo enregistrée en NSTC sur un magnétoscope NTSC^{4.43}.

Emplacement et fonction des commandes

Avant/Côté gauche



Arrière/Côté droit/Dessous



❶ Bague de zoom

Réglage de la taille de l'image.

❷ Bague de mise au point

Réglage de la mise au point de l'image.

❸ Orifices de ventilation (sortie d'air)

❹ Objectif

Retirez le bouchon de l'objectif avant la projection.

❺ Capteur de télécommande frontal (récepteur SIRCS)

❻ Supports réglables

Lorsqu'une image est projetée en dehors de l'écran, ajustez l'image à l'aide de ces supports réglables.
Pour plus de détails sur l'utilisation du support réglable, voir "Utilisation des supports réglables" à la page 8 (FR).

❼ Panneau des connecteurs

Pour plus de détails, voir page 10 (FR).

❽ Panneau de commande

Pour plus de détails, voir "Panneau de commande" à la page 9 (FR).

❾ Prise AC IN

Branchez-y le câble d'alimentation fourni.

❿ Capteur de télécommande arrière (récepteur SIRCS)

⓫ Couvercle de la lampe

⓬ Supports réglables arrière

⓭ Orifices de ventilation (prise d'air)/du filtre à air

A propos des orifices de ventilation

Remarques

- Ne placez rien à proximité des orifices de ventilation sous peine de provoquer une surchauffe interne. Ne placez pas vos mains sur les orifices de ventilation, vous risquez de vous brûler.
- **Remplacez le filtre à air toutes les 500 heures** pour garantir des performances optimales. Ce filtre à air ne peut pas être nettoyé.

Pour plus de détails, voir "Remplacement du filtre à air" à la page 33 (FR).

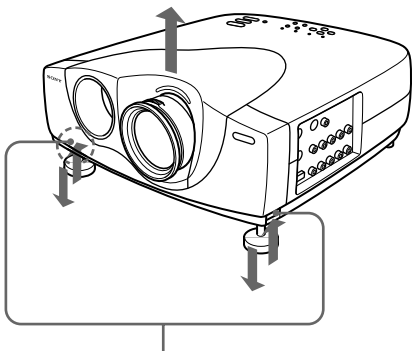
⓮ Boutons des molettes de réglage

Utilisation des supports réglables

Pour régler la hauteur

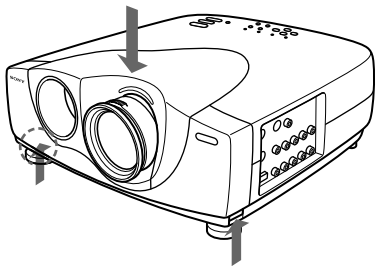
Réglez la hauteur du projecteur en procédant comme suit:

- 1 Soulevez le projecteur et appuyez sur les boutons des molettes de réglage. Les molettes de réglage ressortent du projecteur.

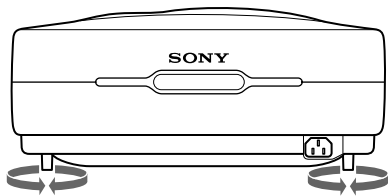


Boutons des molettes de réglage

- 2 Tout en appuyant sur les boutons, abaissez le projecteur. Relâchez ensuite les boutons. Le dispositif de réglage sera bloqué, puis la hauteur du projecteur sera fixée. Pour un réglage plus précis, tournez les molettes de réglage vers la gauche ou la droite.



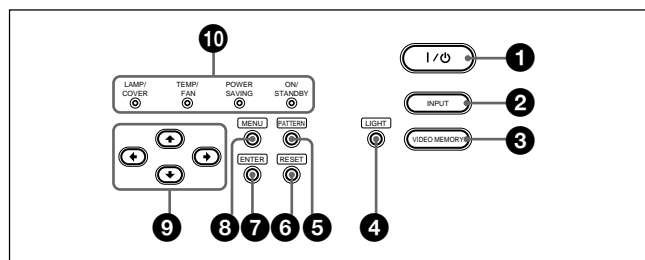
- 3 Si nécessaire, tournez les molettes de réglage arrière vers la gauche ou vers la droite pour régler la hauteur du projecteur.



Remarques

- Veillez à ne pas laisser retomber le projecteur sur vos doigts.
- Ne poussez pas trop fort sur le dessus du projecteur lorsque les molettes de réglage sont abaissées.

Panneau de commande



1 Touche I / ⏻ (marche / veille)

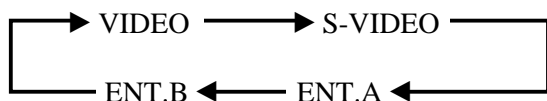
Met le projecteur sous et hors tension lorsqu'il se trouve en mode de veille. L'indicateur ON/STANDBY s'allume en vert lorsque le projecteur est mis sous tension.

Pour mettre le projecteur hors tension, appuyez deux fois sur la touche I / ⏻ suivant le message à l'écran ou maintenez la touche enfoncée pendant environ une seconde.

Pour plus de détails sur la procédure de mise hors tension, voir "Pour mettre le projecteur hors tension" à la page 18 (FR).

2 Touche INPUT

Sélectionne le signal d'entrée. Chaque fois que vous appuyez sur cette touche, le signal d'entrée est commuté de la façon suivante:



3 Touche VIDEO MEMORY

Vous pouvez ajuster l'image au préalable et enregistrer le réglage sous MEMOIRE VIDEO 1 à 6. Vous pouvez ensuite rappeler le réglage en appuyant sur cette touche. Une pression sur cette touche sélectionne le numéro de mémoire 1 à 6, puis recommence à 1. Vous pouvez facilement régler, modifier et visualiser l'image suivant un réglage approprié.

Pour plus de détails sur la façon de régler la mémoire vidéo, reportez-vous à MEMOIRE VIDEO du menu REGLAGE ENTREE à la page 23 (FR).

4 Touche LIGHT

Si vous appuyez sur cette touche alors que le projecteur est sous tension, les touches du panneau de commande s'affichent en orange.

Appuyez de nouveau sur cette touche pour désactiver l'éclairage.

La lumière s'éteindra automatiquement si aucune touche n'est enfoncée pendant 30 secondes.

5 Touche PATTERN

Affiche le modèle de test à l'écran pour le réglage de la mise au point. Appuyez de nouveau pour supprimer le modèle de test.

6 Touche RESET

Restaure la valeur de réglage par défaut d'un paramètre. Cette touche est opérante lorsque le menu ou un paramètre de réglage est affiché à l'écran.

7 Touche ENTER

Confirme le réglage des paramètres dans le menu système.

8 Touche MENU

Affiche le menu. Appuyez de nouveau sur cette touche pour faire disparaître le menu.

9 Touches fléchées (↑/↓/←/→)

Servent à sélectionner le menu ou à effectuer différents réglages.

10 Indicateurs

LAMP/COVER: S'allume ou clignote dans les conditions suivantes:

- S'allume lorsque la lampe a atteint la fin de sa durée de vie utile ou la lampe ne s'allume pas à cause d'une température élevée de la lampe.
- Clignote lorsque le couvercle de la lampe ou le filtre à air n'est pas correctement fixé.

TEMP (température)/FAN: S'allume ou clignote dans les conditions suivantes:

- S'allume lorsque la température intérieure du projecteur devient anormalement élevée.
- Clignote lorsque le ventilateur est défectueux.

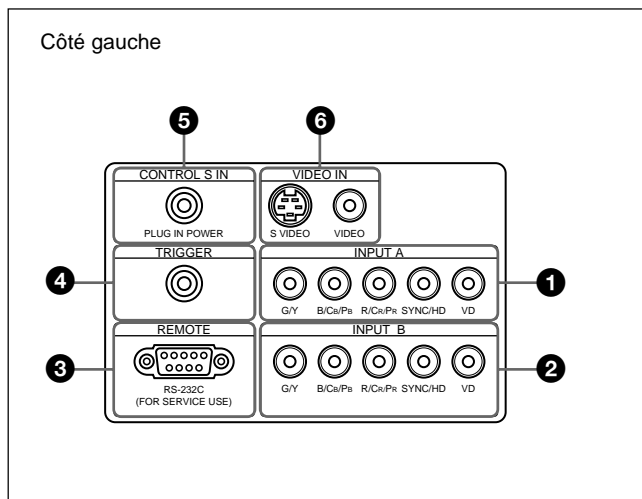
POWER SAVING: S'allume lorsque le projecteur est en mode d'économie d'énergie. Lorsque MODE ECO dans le menu REGLAGE est réglé sur ON, le projecteur passe en mode d'économie d'énergie si aucun signal n'est entré ou aucune touche n'a été actionnée depuis 10 minutes. Bien que le témoin s'éteigne, le ventilateur de refroidissement continue de tourner. En mode d'économie d'énergie, aucune des touches ne fonctionne pendant les 40 premières secondes. Le mode d'économie d'énergie est désactivé dès qu'un signal est entré ou qu'une touche est actionnée.

ON/STANDBY: S'allume ou clignote dans les conditions suivantes:

- S'allume en rouge lorsque le câble d'alimentation secteur est branché sur la prise murale. Lorsque le projecteur se trouve en mode de veille, vous pouvez le mettre sous tension à l'aide de la touche I / ⏻.
- S'allume en vert lorsque le projecteur est sous tension.
- Clignote en vert tant que le ventilateur de refroidissement tourne après la mise hors tension du projecteur à l'aide de la touche I / ⏻. Le ventilateur tourne pendant environ 120 secondes après la mise hors tension. L'indicateur ON/STANDBY clignote rapidement pendant les 40 premières secondes. Pendant cette durée, vous ne pouvez pas remettre le projecteur sous tension à l'aide de la touche I / ⏻.

Pour plus de détails sur les indicateurs LAMP/COVER et TEMP/FAN, voir page 35 (FR).

Panneau des connecteurs



① Connecteurs INPUT A

Connecteurs G/Y, B/Cb/Pb, R/Cr/Pr, SYNC/HD, VD (type phono):

Raccordez-les à la sortie RVB de l'appareil. Suivant l'appareil raccordé, c'est le signal de l'ordinateur, composant (Y/Cb/Cr), HDTV ou DTV (DTV GBR, DTV YPBPr) qui est sélectionné.

② Connecteurs INPUT B

Connecteurs G/Y, B/Cb/Pb, R/Cr/Pr, SYNC/HD, VD (type phono):

Raccordez-les à la sortie RVB de l'appareil. Suivant l'appareil raccordé, c'est le signal de l'ordinateur, composant (Y/Cb/Cr), HDTV ou DTV (DTV GBR, DTV YPBPr) qui est sélectionné.

③ Connecteur RS-232C (D-sub à 9 broches, femelle)

Connecteur de service.

④ Connecteur TRIGGER (déclenchement) (miniprise)

Transmet la condition de marche ou d'arrêt de l'unité à l'appareil externe.

Lorsque l'appareil est hors tension, un signal de 0 V est transmis et, lorsqu'il est sous tension, c'est un signal de 12 V qui est transmis. Mais si aucune tension d'alimentation n'est transmise, vous ne pouvez pas utiliser le connecteur comme source d'alimentation.

⑤ Prise CONTROL S IN/PLUG IN POWER (sortie 5 V CC)

Raccordez-la aux prises de sortie CONTROL S de l'appareil Sony.

Raccordez-la à la prise CONTROL S OUT de la télécommande fournie si vous l'utilisez comme une télécommande filaire. Dans ce cas, vous ne devez pas installer de piles dans la télécommande puisqu'elle est alimentée via cette prise.

Si le connecteur est utilisé, la lampe de la touche de télécommande ne s'allume pas.

⑥ Prises VIDEO IN

Raccordez-les à un appareil vidéo externe comme un magnétoscope.

S VIDEO (miniconnecteur DIN à 4 broches):

Raccordez-le à la sortie S-vidéo (sortie vidéo Y/C) d'un appareil vidéo.

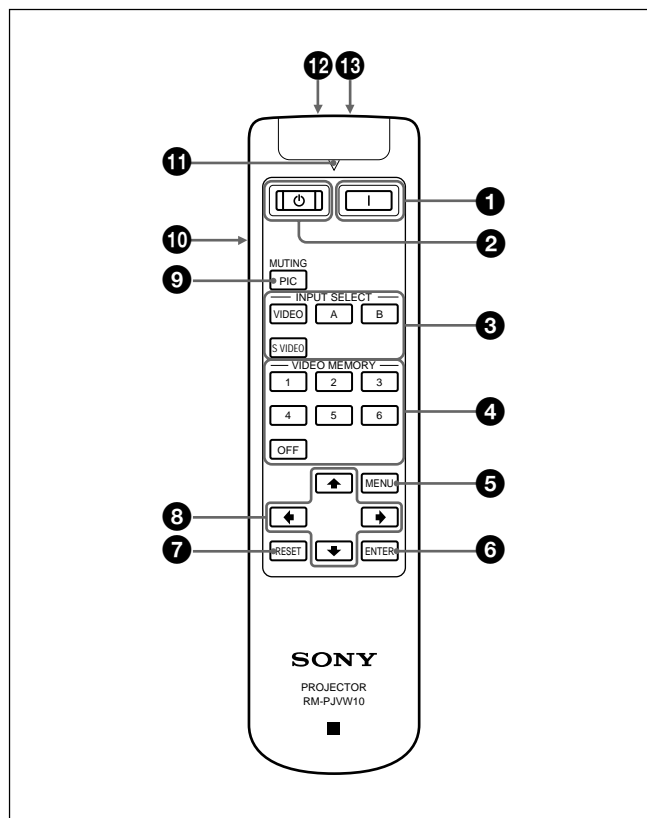
VIDEO (type phono): Raccordez-le à la sortie vidéo composite d'un appareil vidéo.

Télécommande

Les touches qui portent le même nom que sur le panneau de commande remplissent les mêmes fonctions.

Vous pouvez contrôler un ordinateur connecté à l'aide de la télécommande.

Pour plus de détails, voir "Raccordement à un ordinateur" à la page 14 (FR).



1 Touche I (marche)

Appuyez sur cette touche pour mettre le projecteur sous tension. (On part du principe que le projecteur se trouve en mode de veille.)

2 Touche ⏻ (arrêt)

Appuyez sur cette touche pour mettre le projecteur immédiatement hors tension.

3 Touches INPUT SELECT

Sélectionne le signal d'entrée.

VIDEO: Sélectionne le signal de l'appareil raccordé au connecteur VIDEO du projecteur.

S VIDEO: Sélectionne le signal de l'appareil raccordé au connecteur S VIDEO du projecteur.

A: Sélectionne le signal de l'appareil raccordé aux connecteurs INPUT A.

B: Sélectionne le signal de l'appareil raccordé aux connecteurs INPUT B.

4 Touches VIDEO MEMORY

Vous pouvez enregistrer les réglages d'une image sous l'une des touches VIDEO MEMORY (1 – 6) et rappeler ensuite directement ces réglages en appuyant sur la touche appropriée.

Pour plus de détails sur la façon de régler la mémoire vidéo, reportez-vous à MEMOIRE VIDEO du menu REGL ENTREE à la page 23 (FR).

5 Touche MENU

6 Touche ENTER

7 Touche RESET

8 Touches fléchées (↑/↓/←/→)

9 Touche MUTING PIC

Coupe l'image. Appuyez de nouveau sur cette touche pour restaurer l'image.

10 Commutateur LIGHT

Appuyez sur ce commutateur pour activer l'éclairage des touches de la télécommande. Appuyez de nouveau sur cette touche pour désactiver l'éclairage des touches. Si vous n'utilisez aucune touche, l'éclairage est automatiquement désactivé au bout de 30 secondes.

Installez les deux piles dans la télécommande pour utiliser l'éclairage des touches.

11 Indicateur de transmission

S'allume lorsque vous appuyez sur une touche de la télécommande.

12 Prise CONTROL S OUT (miniprise stéréo)

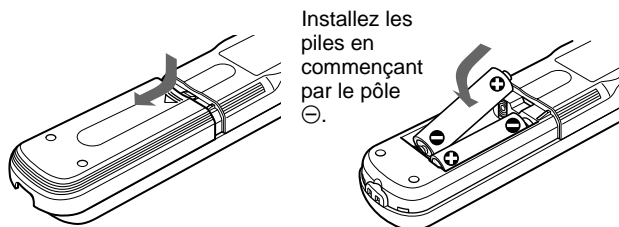
Raccordez-la à la prise CONTROL S IN du projecteur à l'aide d'un câble de connexion (non fourni) si vous utilisez la télécommande comme une télécommande filaire. Dans ce cas, vous ne devez pas installer de piles dans la télécommande puisqu'elle est alimentée via la prise CONTROL S IN du projecteur.

Si les piles ne sont pas installées, l'éclairage des touches de la télécommande n'est pas activé.

13 Transmetteur infrarouge

Installation des piles

- 1 Poussez sur le couvercle et faites-le glisser pour l'ouvrir, puis installez les deux piles AA (R6) (fournies) en respectant la polarité.



- 2 Refermez le couvercle.

Remarques sur les piles

- Assurez-vous que les piles sont correctement orientées lorsque vous les installez.
- N'utilisez pas en même temps des piles neuves et des piles usagées, ni des piles de types différents.
- Si vous prévoyez de ne pas utiliser la télécommande pendant une période prolongée, retirez-en les piles de façon à éviter tout dommage causé par une fuite des piles. Si une pile a fuit, retirez les piles, nettoyez le compartiment à piles et remplacez les piles.

Remarques sur le fonctionnement de la télécommande

- Veillez à ce qu'aucun obstacle entre la télécommande et le projecteur n'entrave le faisceau infrarouge entre la télécommande et le capteur de télécommande du projecteur.
- La portée de commande est limitée. Plus la distance entre la télécommande et le projecteur est courte, plus le champ dans lequel la télécommande peut commander le projecteur est large.
- Pour allumer la lampe de la touche à l'aide de la télécommande filaire, installez les piles.

Remarque

En cas de problème avec la télécommande, adressez-vous à un personnel Sony qualifié. Nous remplaçons la télécommande par une neuve conformément aux termes de la garantie.

Installation du projecteur

Cette section décrit les configurations d'installation du projecteur.

Distance entre l'écran et le centre de l'objectif

La distance entre l'objectif et l'écran varie suivant la taille de l'écran. Utilisez le tableau suivant comme guide de référence.

Unité: m (pieds)

16:9 taille d'écran (pouces)	40	60	80	100	120	150	200	300
Distance Minimale	1,3 (4,1)	1,9 (6,3)	2,6 (8,5)	3,3 (10,7)	3,9 (12,9)	4,9 (16,2)	6,6 (21,7)	9,9 (32,6)
Distance Maximale	1,5 (4,8)	2,2 (7,4)	3,0 (9,8)	3,8 (12,4)	4,6 (14,9)	5,7 (18,7)	7,6 (25,0)	11,5 (37,7)

4:3 taille d'écran (pouces)	40	60	80	100	120	150	200	300
Distance Minimale	1,6 (5,1)	2,4 (7,8)	3,2 (10,5)	4,0 (13,2)	4,8 (15,9)	6,1 (19,9)	8,1 (26,6)	12,2 (40,0)
Distance Maximale	1,8 (6,0)	2,8 (9,1)	3,7 (12,3)	4,7 (15,4)	5,6 (18,3)	7,0 (23,0)	9,4 (30,8)	14,1 (46,2)

Raccordement

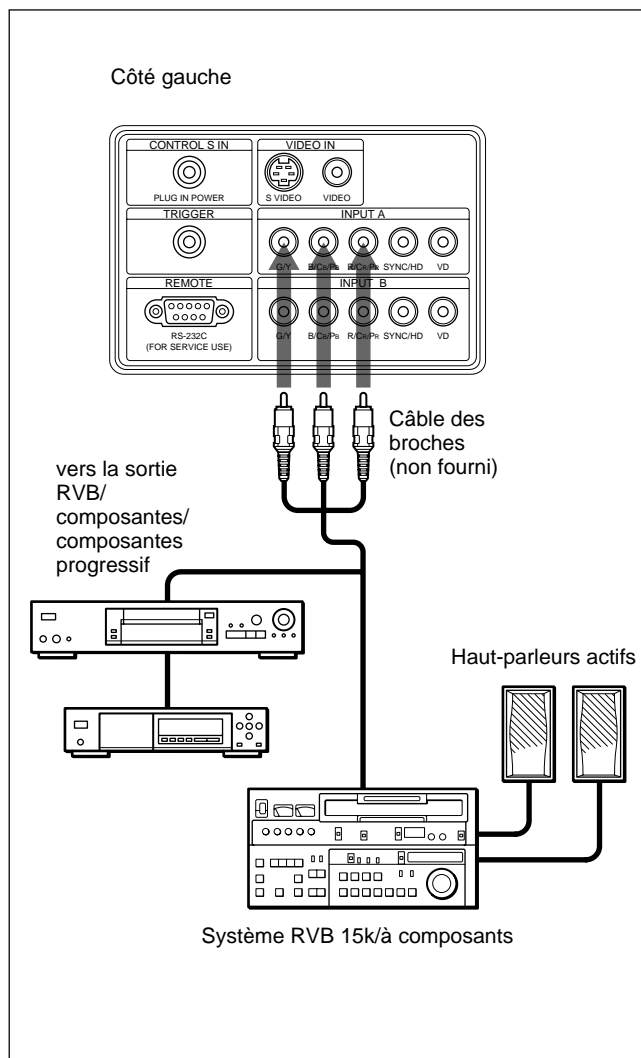
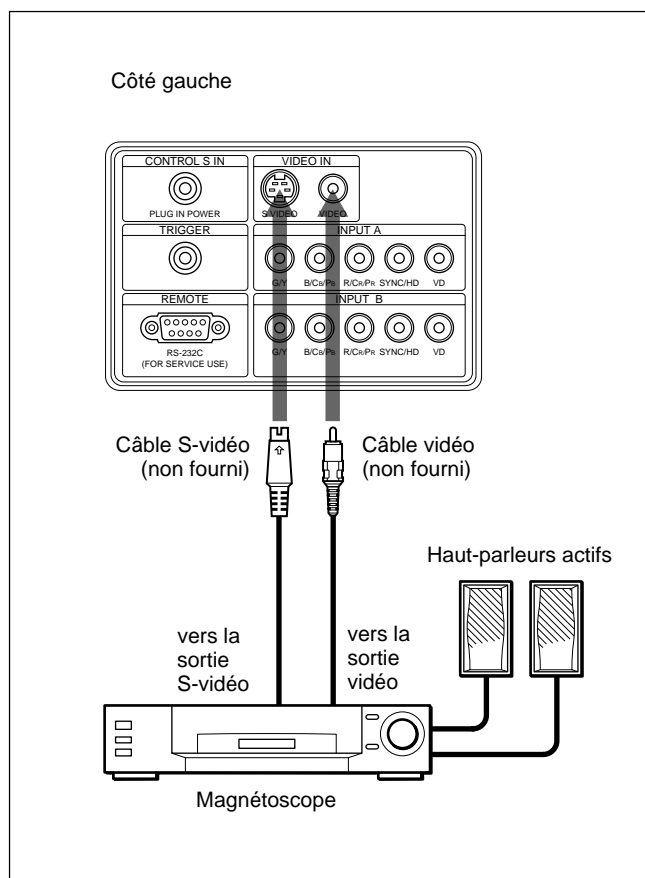
Lorsque vous établissez les connexions, veillez à :

- mettre tous les équipements hors tension avant d'effectuer quelque raccordement que ce soit;
- utiliser les câbles adéquats pour chaque raccordement;
- brancher correctement les fiches des câbles; les fiches mal branchées sont souvent une source de parasites. Pour débrancher un câble, saisissez-le par la fiche. Ne tirez jamais sur le câble proprement dit.

Raccordement à un magnétoscope / système à signal RVB 15k/à composantes progressif

Cette section décrit comment raccorder le projecteur à un magnétoscope, à des haut-parleurs actifs externes ou à un système à signal RVB 15k/à composantes/à composantes progressif.

Consultez également les manuels d'instruction de l'appareil à raccorder.



Remarques

- Réglez le format d'affichage sous FORMAT dans le menu REGL ENTREE en fonction du signal d'entrée.
- Pour raccorder un système à signal RVB 15k /à composantes/à composantes progressif, sélectionnez ORDINATEU/COMPOSANTS/DTV YPbPr/DTV GBR sous ENT.A ou ENT.B dans le menu REGLAGE en fonction du signal d'entrée. *Pour plus de détails sur le réglage, voir page 25 (FR).*
- Utilisez le signal de synchronisation composite lorsque vous entrez le signal de synchronisation externe d'un appareil RVB 15k/à composantes.
- Vous pouvez raccorder un appareil à haute définition. La méthode de raccordement est la même que ci-dessus.

Raccordement à un HDTV 1035/60i

Réglez le réglage d'entrée sur "DTV YPbPr/DTV GBR".

Utilisez le signal de synchronisation composite lorsque vous introduisez le signal de synchronisation externe.

Raccordement à un ordinateur

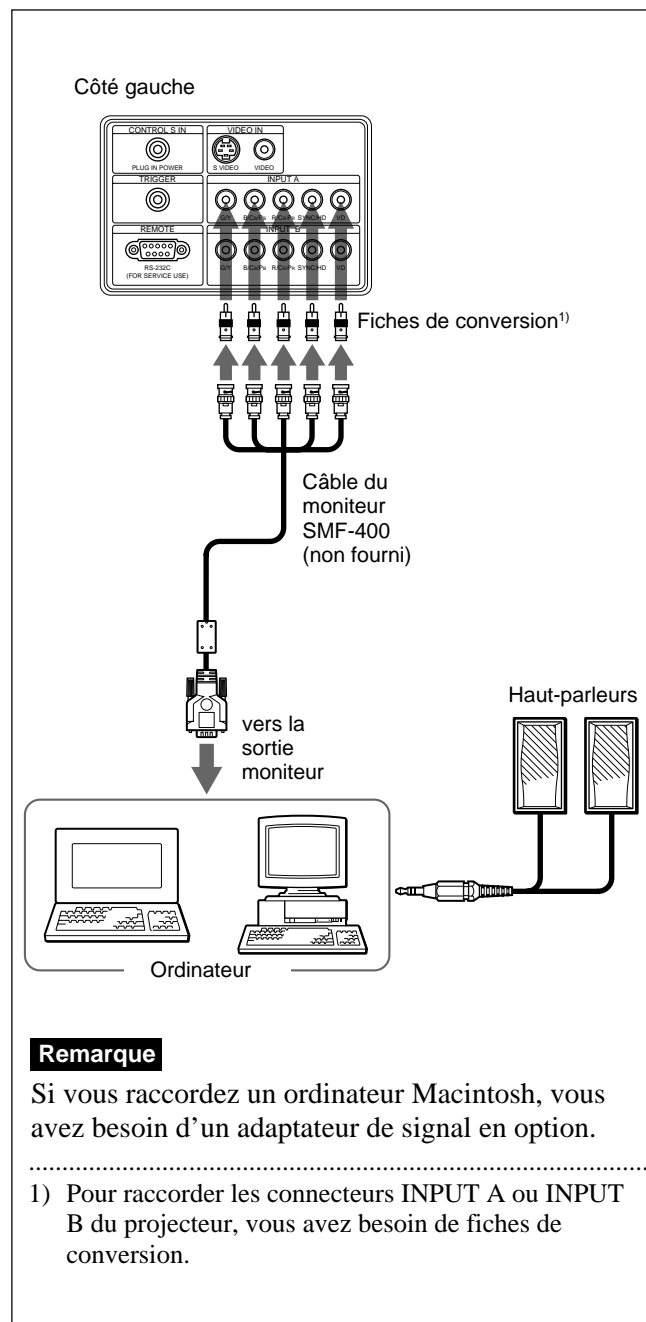
Cette section vous explique comment raccorder le projecteur à un ordinateur.

Sélectionnez "ORDINATEUR" dans ENT.A ou ENT.B du menu REGLAGE.

Remarques

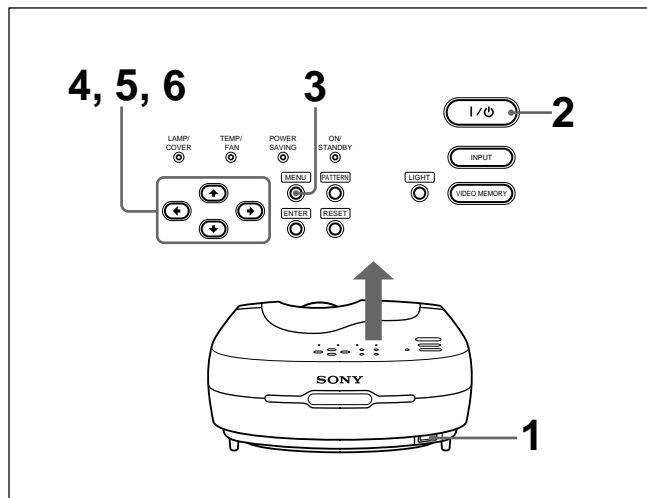
- Cet appareil accepte les signaux VGA, SVGA, XGA et SXGA. Nous vous conseillons cependant de régler le signal de sortie de votre ordinateur sur XGA.
- Si vous réglez votre ordinateur, tel qu'un portable IBM PC/AT compatible, pour sortir le signal à la fois vers l'écran de votre ordinateur et le moniteur externe, il se peut que l'image n'apparaisse pas correctement sur le moniteur externe. En pareil cas, réglez le mode de sortie de votre ordinateur pour sortir le signal vers le moniteur externe uniquement. *Pour plus de détails, reportez-vous au mode d'emploi fourni avec votre ordinateur.*
- Raccordez tous les câbles de connexion aux connecteurs INPUT A lorsque vous introduisez un signal via les connecteurs INPUT A. Raccordez tous les câbles aux connecteurs INPUT B lorsque vous introduisez un signal via les connecteurs INPUT B.

Raccordement à un ordinateur

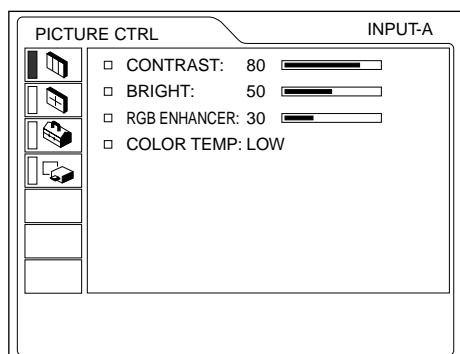


Sélection de la langue d'affichage des menus

Vous pouvez sélectionner la langue d'affichage des menus et autres indications à l'écran. Le réglage par défaut est ENGLISH.

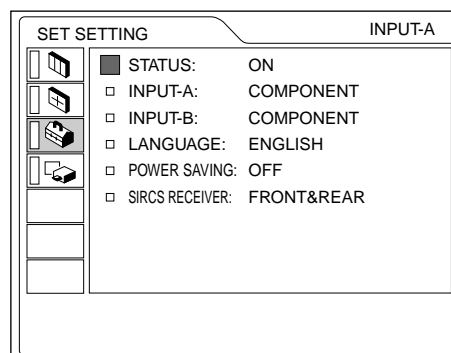


- 1** Branchez le câble d'alimentation sur une prise murale (secteur).
- 2** Appuyez sur la touche I / pour mettre le projecteur sous tension.
- 3** Appuyez sur la touche MENU.
L'écran de menu apparaît.

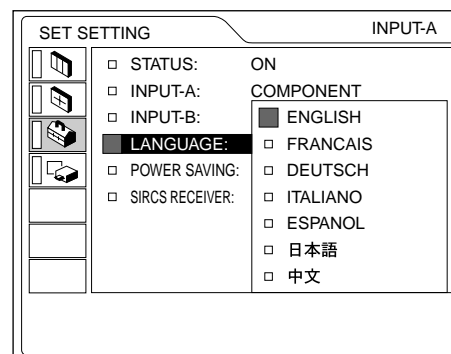


- 4** Sélectionnez l'icône du menu SET SETTING (REGLAGE), la troisième, à l'aide de la touche ou et appuyez ensuite sur la touche ou ENTER.

Le menu SET SETTING apparaît.



- 5** Sélectionnez "LANGUAGE" (LANGAGE) à l'aide de la touche ou et appuyez ensuite sur la touche ou ENTER.



- 6** Sélectionnez la langue de votre choix à l'aide de la touche ou et appuyez ensuite sur la touche ou ENTER.

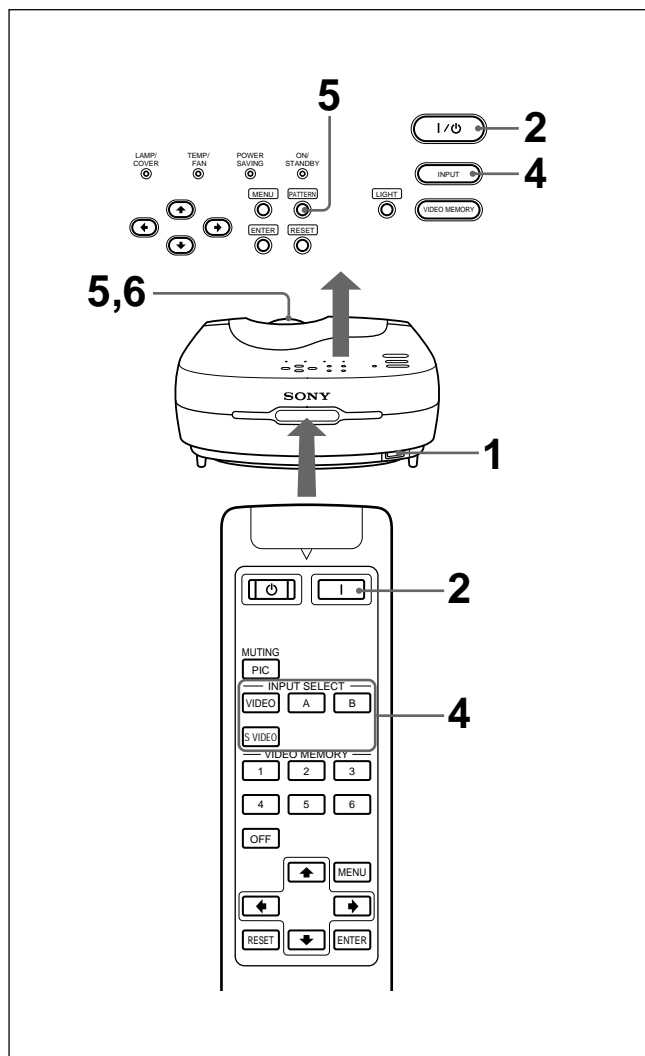
Le menu s'affiche dans la langue sélectionnée.

Pour désactiver l'écran de menu

Appuyez sur la touche MENU.

L'écran de menu disparaît automatiquement si vous n'appuyez sur aucune touche pendant une minute.

Projection



- 1** Lorsque tous les appareils ont été correctement raccordés, branchez le câble d'alimentation sur une prise murale (secteur).
L'indicateur ON/STANDBY s'allume en rouge et le projecteur passe en mode de veille.
- 2** Appuyez sur la touche I / ⏻ du panneau de commande ou sur la touche I de la télécommande.
L'indicateur ON/STANDBY s'allume en vert.
- 3** Mettez sous tension l'appareil raccordé au projecteur.

- 4** Appuyez sur la touche INPUT pour sélectionner la source d'entrée.

-
- ENT.A :** Sélectionne l'entrée du signal vidéo du connecteur INPUT A, comme l'équipement composante.
-
- ENT.B :** Sélectionne l'entrée du signal vidéo du connecteur INPUT B, comme l'équipement composante.
-
- VIDEO:** Sélectionne les signaux vidéo entrés via la prise VIDEO (VIDEO IN).
-
- S-VIDEO:** Sélectionne les signaux vidéo entrés via la prise S VIDEO (VIDEO IN).
-

- 5** Appuyez sur la touche PATTERN du panneau de commande pour afficher la mire de test et tournez la bague de mise au point pour régler la mise au point.
Appuyez de nouveau sur la touche PATTERN pour supprimer le modèle de test.
- 6** Tournez la bague de zoom pour ajuster la taille de l'image.

Remarque
Ne regardez pas vers l'objectif en cours de projection car vous risquez de vous blesser les yeux.

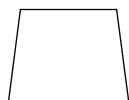
Pour	Appuyez sur
Couper l'image	la touche MUTING PIC de la télécommande. Pour restaurer l'image, appuyez de nouveau sur la touche MUTING PIC.

Pour corriger la distorsion en trapèze

Lorsque l'image projetée présente une forme trapézoïdale, modifiez la position/hauteur du projecteur en ajustant le support réglable.
Pour plus de détails concernant "Utilisation des supports réglables", voir page 8 (FR).

Si l'image est toujours de forme trapézoïdale, corrigez-la sous TRAPEZE NUMER dans le menu REGL. INSTAL.

Si la base est plus longue que le bord supérieur comme illustré dans la figure ci-dessous:



Réglez une valeur négative.

Si le bord supérieur est plus long que la base comme illustré dans la figure ci-dessous:



Réglez une valeur positive.

Remarque

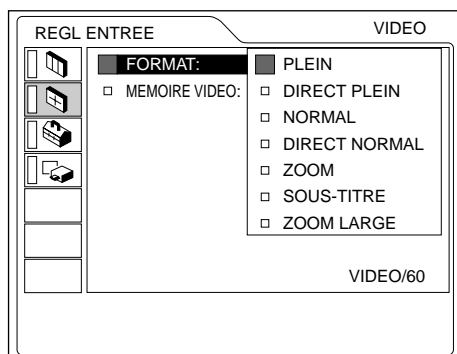
Si "ZOOM", "PLEIN" ou "NORMAL" a été sélectionné sous FORMAT dans le menu REGL ENTREE, vous ne pouvez pas modifier la forme trapézoïdale.

Pour plus de détails concernant "TRAPEZE NUMER", voir page 26 (FR).

Changement du format

Vous pouvez changer le format en fonction du signal vidéo. Pour plus de détails sur l'exploitation des menus d'affichage, voir "Utilisation du MENU" à la page 19 (FR).

- 1 Appuyez sur la touche MENU pour afficher le menu.
- 2 Appuyez sur la touche \uparrow ou \downarrow pour sélectionner le menu REGL ENTREE et appuyez ensuite sur la touche \rightarrow ou sur ENTER.
- 3 Appuyez sur la touche \uparrow ou \downarrow pour sélectionner FORMAT et appuyez ensuite sur la touche \rightarrow ou sur ENTER.



- 4 Procédez au réglage ou à l'ajustement d'un paramètre.

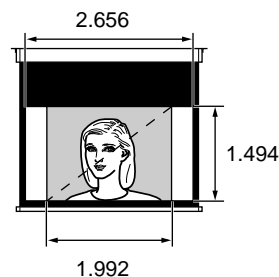
Pour plus de détails sur le réglage des différents paramètres, voir page 22 (FR).

La taille de l'image pour la taille de l'écran

Reportez-vous aux indications suivantes pour la sélection du format.

Si une image 4:3 est affichée sur un écran 16:9e

Exemple: Vous utilisez un écran de 120 pouces.

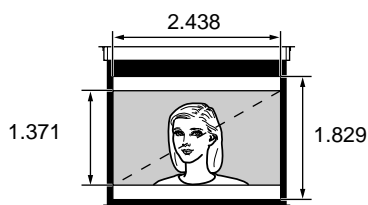


Une image de 98 pouces est affichée

Taille (pouces)	Ecran 16:9e		Image 4:3	
	Unité (mm)		Unité (mm)	Taille (pouces)
90	1.992	1.121	1.494	73
110	2.435	1.370	1.826	90
120	2.656	1.494	1.992	98

Si une image 16:9e est affichée sur un écran 4:3

Exemple: Vous utilisez un écran de 120 pouces.



Une image de 110 pouces est affichée.

Ecran 4:3		Image 16:9e	
Taille (pouces)	Unité (mm)	Unité (mm)	Taille (pouces)
80			73
100			91
120			110

Remarques sur le changement de format

Ce projecteur vous propose différents formats. Lorsque vous changez de format, conformez-vous aux précautions suivantes:

- Sélectionnez un format en tenant compte du fait que si ce format est différent du format original de l'image, l'image se présentera différemment de l'image originale.
- Ne perdez pas non plus de vue que, si le projecteur est utilisé à des fins lucratives ou pour des représentations publiques, la modification de l'image originale résultant d'un changement du format d'affichage peut constituer une violation des droits d'auteur ou des droits des producteurs qui sont légalement protégés.

Pour mettre le projecteur hors tension

Pour mettre le projecteur hors tension depuis le panneau de commande.

- 1 Appuyez sur la touche I / ⏻ du panneau de commande.

“METTRE HORS TENSION ?” apparaît sur l'écran.

Remarque

Le message disparaît si vous appuyez sur une touche quelconque à l'exception de la touche I / ⏻, ou si vous n'appuyez sur aucune touche pendant cinq secondes.

- 2 Appuyez sur la touche I / ⏻.

L'indicateur ON/STANDBY clignote en vert et le ventilateur de refroidissement continue de tourner pendant environ 120 secondes pour réduire la chaleur interne. L'indicateur ON/STANDBY clignote rapidement pendant les 40 premières secondes. Pendant cette durée, vous ne pouvez pas remettre le projecteur sous tension à l'aide de la touche I / ⏻.

- 3 Débranchez le câble d'alimentation de la prise murale après que le ventilateur s'est arrêté de tourner et l'indicateur ON/STANDBY s'allume en rouge.

Si vous ne pouvez pas confirmer le message à l'écran

Si vous ne pouvez pas confirmer le message à l'écran dans une certaine condition, vous pouvez mettre le projecteur hors tension en maintenant la touche I / ⏻ enfoncée pendant environ une seconde.

Pour mettre le projecteur hors tension à l'aide de la télécommande.

- 1 Appuyez sur la touche ⏻ de la télécommande.
- 2 Débranchez le câble d'alimentation de la prise murale après que le ventilateur s'est arrêté de tourner et l'indicateur ON/STANDBY s'allume en rouge.

Remarque

Ne débranchez pas le câble d'alimentation pendant que le ventilateur tourne, faute de quoi le ventilateur cessera de tourner même si la température interne est toujours élevée, ce qui peut entraîner une panne du projecteur.

A propos du remplacement du filtre à air

Remplacez le filtre à air toutes les 500 heures pour garantir des performances optimales. Ce filtre à air ne peut pas être nettoyé.

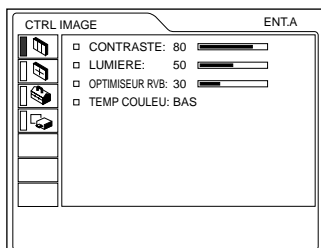
Utilisation du MENU

Ce projecteur est doté d'une fonction d'écran de menu permettant de réaliser différents ajustements et réglages.

Vous pouvez sélectionner la langue d'affichage du menu.

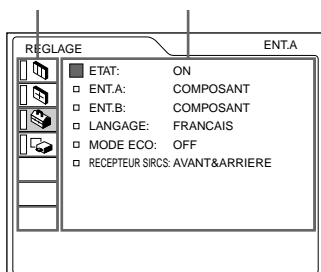
Pour plus de détails sur la sélection de la langue d'affichage du menu, voir page 15 (FR).

- 1 Appuyez sur la touche MENU.
L'écran de menu apparaît.
Le menu actuellement sélectionné est illustré comme bouton jaune.



- 2 Utilisez la touche ↑ ou ↓ pour sélectionner un menu et appuyez ensuite sur la touche → ou ENTER.
Le menu sélectionné apparaît.

Menus Paramètres de réglages



- 3 Sélectionnez un paramètre.
Utilisez la touche ↑ ou ↓ pour sélectionner un paramètre et appuyez ensuite sur la touche → ou sur ENTER.

- 4 Réglage d'un paramètre.
 - Pour changer le niveau de réglage:
Pour augmenter la valeur de réglage, appuyez sur la touche ↑ ou →.
Pour diminuer la valeur de réglage, appuyez sur la touche ↓ ou ←.
Appuyez sur la touche ENTER pour revenir à l'écran de départ.

- Pour modifier le réglage:
Appuyez sur la touche ↑ ou ↓ pour changer le réglage.
Appuyez sur la touche ENTER ou ← pour revenir à l'écran de départ.

Pour plus de détails sur le réglage des différents paramètres, reportez-vous aux pages de menu correspondantes.

Pour désactiver l'écran de menu

Appuyez sur la touche MENU.
L'écran de menu disparaît automatiquement si vous n'appuyez sur aucune touche pendant une minute.

Pour restaurer des paramètres que vous venez de modifier

Appuyez sur la touche RESET.
"Effectué!" apparaît à l'écran et les réglages à l'écran sont restaurés aux valeurs par défaut.

Les paramètres pouvant être réinitialisés sont:

- "CONTRASTE", "LUMIERE", "COULEUR", "TEINTE", "NETTETE" et "OPTIMISEUR RVB" dans le menu CTRL IMAGE
- "PHASE", "AMPL H" et "DEPL." dans le menu REGL ENTREE.

A propos de la mémoire de réglages

Les réglages sont automatiquement enregistrés dans la mémoire du projecteur.

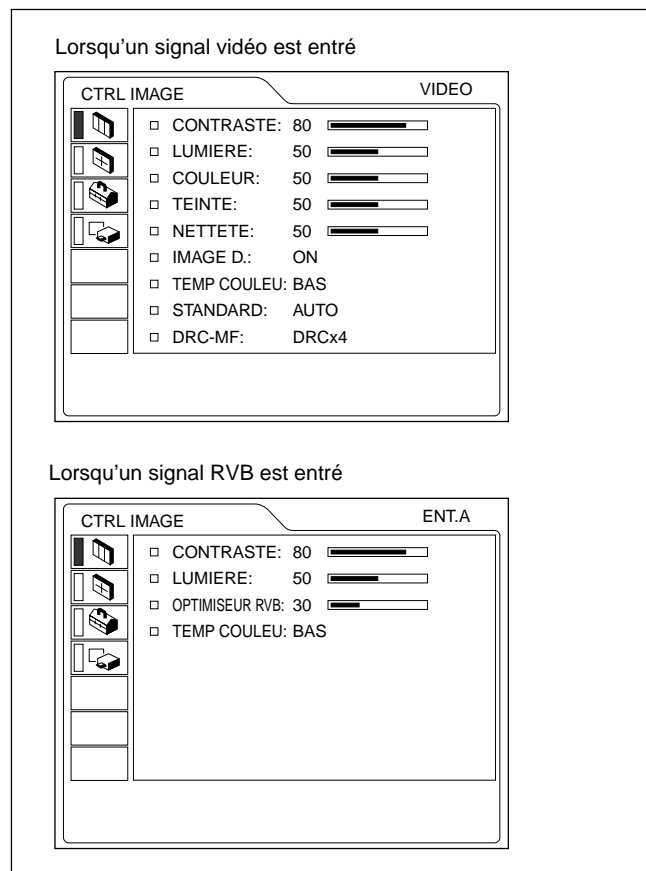
Si aucun signal n'est entré

Lorsqu'il n'y a pas de signal d'entrée, le message "PAS D'ENTREE-Reglage impossible." apparaît à l'écran et aucun paramètre ne peut être ajusté.

Le menu CTRL IMAGE

Le menu CTRL (contrôle) IMAGE sert à régler l'image.

Les paramètres non réglables suivant le signal d'entrée ne sont pas affichés dans le menu.



CONTRASTE

Ajuste le contraste de l'image.

Plus la valeur de réglage est élevée, plus le contraste est important.

Plus la valeur de réglage est faible, plus le contraste est faible.

LUMIERE

Ajuste la luminosité de l'image.

Plus la valeur de réglage est élevée, plus l'image est lumineuse.

Plus la valeur de réglage est faible, plus l'image est foncée.

COULEUR

Ajuste l'intensité des couleurs.

Plus la valeur de réglage est élevée, plus les couleurs sont intenses.

Plus la valeur de réglage est faible, plus l'intensité des couleurs est faible.

TEINTE

Ajuste la teinte des couleurs.

Plus la valeur de réglage est élevée, plus l'image prend une teinte verdâtre.

Plus la valeur de réglage est faible, plus l'image prend une teinte rougeâtre.

NETTETE

Ajuste la netteté de l'image.

Plus la valeur de réglage est élevée, plus l'image est nette.

Plus la valeur de réglage est faible, plus les contours de l'image sont adoucis.

OPTIMISEUR RVB

Ajuste la netteté de l'image lorsque des signaux informatiques sont entrés.

Plus la valeur de réglage est élevée, plus l'image est nette.

Plus la valeur de réglage est faible, plus les contours de l'image sont adoucis.

IMAGE D. (dynamique)

Renforce la couleur noire.

ON: Renforce le noir pour produire une image plus "dynamique".

OFF: Restitue fidèlement les zones noires de l'image conformément au signal source.

TEMP COULEU

Ajuste la température des couleurs.

HAUT: Rend les blancs plus bleuâtres.

BAS: Rend les blancs plus rougeâtres.

STANDARD

Sélectionne le système couleur du signal d'entrée.

AUTO: Sélectionne automatiquement l'un des signaux suivants: NTSC_{3.58}, PAL, SECAM, NTSC_{4.43}.

PAL-M/N: Sélectionne automatiquement l'un des signaux suivants: PAL-M/PAL-N, NTSC_{3.58}.

En principe, réglez-le sur AUTO.

Si l'image présente des distorsions ou n'a pas de couleurs, sélectionnez le système couleur en fonction du signal d'entrée.

DRC-MF

Adoucit les contours d'une image vidéo de grand format.

DRC × 4: Double le nombre de lignes de balayage du signal vidéo et le nombre de pixels horizontaux, ce qui produit un quadruplement de la qualité de l'image.

DRC PROGRESSIVE: Affiche une ligne claire ou des caractères sans scintillement de ligne.

Signaux d'entrée et paramètres de réglage

Paramètre	Signal d'entrée				
	Vidéo ou S-vidéo (Y/C)	Composante/RVB 15 k	Composantes progressif/HDTV/DTV	RVB ¹⁾	N&B
CONTRASTE	●	●	●	●	●
LUMIERE	●	●	●	●	●
COULEUR	●	●	●	–	–
TEINTE	● (NTSC3.58/ 4.43 uniquement)	●	●	–	–
NETTETE	●	●	●	–	●
OPTIMISEUR RVB	–	–	–	●	–
IMAGE D.	●	●	–	–	●
TEMP COULEU	●	●	●	●	●
STANDARD	●	–	–	–	●
DRC-MF	●	●	–	–	●

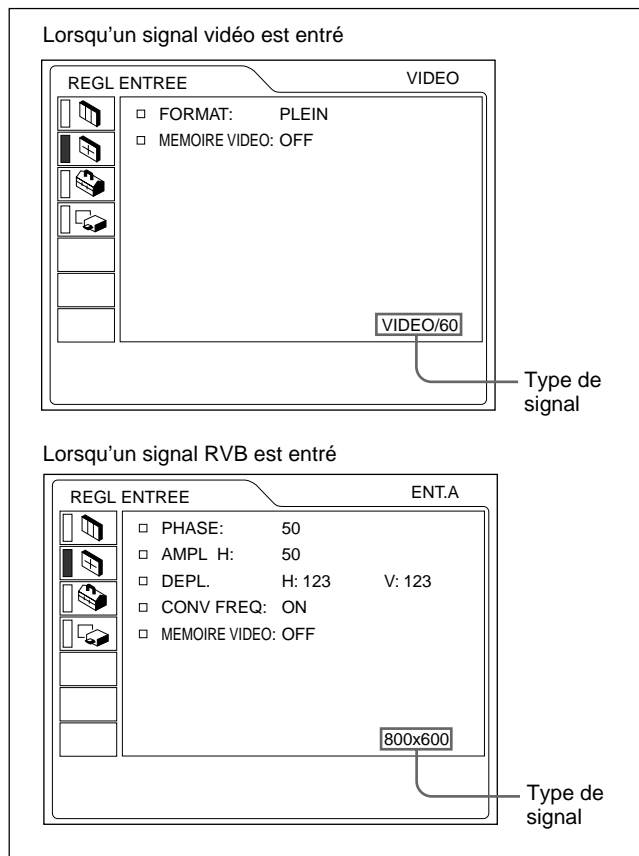
●: Ajustable/peut être réglé

–: Non ajustable/ne peut être réglé

Le menu REGL ENTREE

Le menu REGL ENTREE est utilisé pour ajuster le signal d'entrée.

Les paramètres non réglables suivant le signal d'entrée ne sont pas affichés dans le menu.



PHASE

Réglage de la phase des points du panneau LCD et du signal d'ordinateur entré via les connecteurs ENT. A/B.

Ajuste l'image pour qu'elle apparaisse plus nette.

AMPL H

Réglage de la taille horizontale de l'image entrée via les connecteurs INPUT A/B.

Plus la valeur de réglage est élevée, plus la taille horizontale de l'image est grande. Plus la valeur de réglage est basse, plus la taille horizontale de l'image est réduite. Ajuste le réglage en fonction des points du signal d'entrée. Pour plus de détails sur la valeur adéquate pour les signaux présélectionnés, voir page 24 (FR).

1) Les signaux RVB d'un ordinateur

DEPL.

Réglage de la position de l'image entrée via les connecteurs INPUT A/B.

H règle la position horizontale de l'image.

V règle la position verticale de l'image.

Plus la valeur de H augmente, plus l'image se déplace vers la droite, et plus elle diminue, plus l'image se déplace vers la gauche.

Plus la valeur de V augmente, plus l'image se déplace vers le haut, et plus elle diminue, plus l'image se déplace vers le bas.

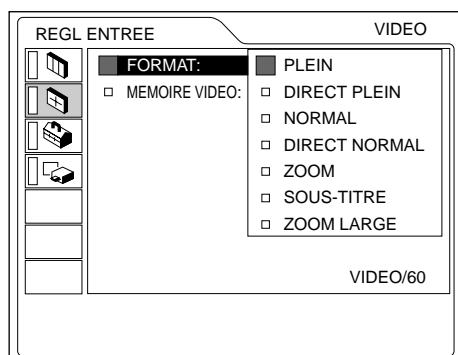
Utilisez les touches ← et → pour ajuster la position horizontale et les touches ↑ et ↓ pour la position verticale.

FORMAT

Réglage du format de l'image:

4:3 NORMAL, DIRECT NORMAL

16:9 PLEIN, DIRECT PLEIN, ZOOM, SOUS-TITRE, ZOOM LARGE



PLEIN: L'image comprimée 16:9 est affichée dans le format correct. L'image 4:3 est élargie horizontalement.



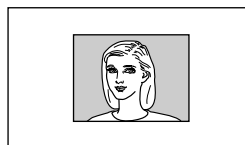
DIRECT PLEIN: La mappe univoque est exécutée sur une image 16:9 comprimée. L'image est affichée au centre de l'écran.



NORMAL: Une image au format 4:3 normal est affichée.



DIRECT NORMAL: La mappe univoque est exécutée sur une image 4:3 normale. L'image est affichée au centre de l'écran.



ZOOM: L'image 4:3 normale est agrandie verticalement et horizontalement (suivant le même taux) au format de l'écran. Ce mode est idéal pour l'affichage plein écran des films en mode grand écran.



SOUS-TITRE: La zone des sous-titres est comprimée. Ce mode laisse les sous-titres dans la partie inférieure de l'écran.



ZOOM LARGE: L'image 4:3 normale est agrandie et les parties supérieure et inférieure de l'image sont comprimées. Ce mode est idéal pour les programmes généraux tels que les informations et les spectacles de variétés.



Remarque

Vous ne pouvez pas changer le mode d'image pendant que le projecteur est en train de projeter une image à haute définition ou un signal DTV.

Ces éléments ajustables/non ajustables dépendent du réglage de rapport d'écran

Paramètres	DEFILEMENT V	AIRE TITRE	TRAPEZE NUMER
PLEIN	–	–	●
DIRECT PLEIN	–	–	–
NORMAL	–	–	●
DIRECT NORMAL	–	–	–
ZOOM	●	–	●
SOUS-TITRE	●	●	–
ZOOM LARGE	–	–	–

●: Ajustable –: Non ajustable

CONV FREQ (convertisseur de fréquence)

Convertit le signal pour afficher l'image en fonction de la taille de l'écran.

ON: Agrandit l'image en fonction de la taille de l'écran. L'image perd cependant un peu de clarté.

OFF: Affiche l'image en faisant correspondre un pixel d'élément d'image entré à un pixel de l'écran LCD. L'image affichée est claire, mais d'une taille inférieure.

Remarque

Lorsqu'un signal XGA ou SXGA est entré, ce paramètre n'est pas affiché.

DEFILEMENT V

Règle la position verticale de l'image.

La plage de réglage est comprise entre 0 et +7.

Plus la valeur augmente, plus l'image se déplace vers le haut, et plus elle diminue, plus l'image se déplace vers le bas. Pour ramener l'image à sa position normale, appuyez sur la touche RESET.

AIRE TITRE

Ajuste l'aire du titre.

La plage de réglage est comprise entre 0 et +7.

Plus la valeur augmente, plus la zone de sous-titres s'agrandit, et plus elle diminue, plus la zone de sous-titres est réduite.

Pour restaurer la zone normale, appuyez sur la touche RESET.

Remarque

Bien que la plage réglable affichée soit comprise entre 0 et +7, la plage réelle peut être limitée en raison du réglage de DEFILEMENT V.

MEMOIRE VIDEO

Affiche le numéro de la mémoire vidéo sélectionnée. Il y a 6 mémoires de réglage. Si vous sélectionnez OFF, l'image est affichée suivant les réglages enregistrés dans chaque mémoire de canal.

Réglage de la MEMOIRE VIDEO

Utilisation de la télécommande

1 Appuyez sur le numéro désiré (1 – 6) des touches VIDEO MEMORY.

Le numéro de mémoire sélectionné s'affiche dans le menu.

2 Dans le menu approprié, sélectionnez un paramètre à régler et ajustez la valeur de réglage à l'aide des touches **↑**, **↓**, **←** et **→**.

3 Appuyez sur la touche **←** ou ENTER.

Le paramètre (réglage) ajusté est introduit dans la mémoire sélectionnée. L'affichage revient à l'écran précédent.

Utilisation du panneau de commande

1 Sélectionnez un numéro de MEMOIRE VIDEO (1 – 6) en appuyant sur la touche VIDEO MEMORY. (Vous pouvez également régler le MEMOIRE VIDEO à l'aide du menu.)

2 Dans le menu approprié, sélectionnez un paramètre à régler et ajustez la valeur de réglage à l'aide des touches **↑**, **↓**, **←** et **→**.

3 Appuyez sur la touche **←** ou ENTER.

Le paramètre (réglage) ajusté est introduit dans la mémoire sélectionnée. L'affichage revient à l'écran précédent.

Signaux d'entrée et paramètres de réglage

Paramètre	Signal d'entrée				
	Vidéo ou S-VIDEO (Y/C)	RVB 15k/ Composantes progressif	HDTV/ DTV	RVB ¹⁾	N&B
PHASE	–	–	●	●	–
AMPL H	–	●	●	●	–
DEPL.	–	●	●	●	–
FORMAT	●	●	–	–	●
CONV FREQ	–	–	–	● (inférieur à SVGA uniquement)	–
DEFILEMENT V	○	○	–	–	○
AIRE TITRE	○	○	–	–	○
MEMOIRE VIDEO	●	●	●	●	●

●: Ajustable/peut être réglé

–: Non ajustable/ne peut être réglé

○: Paramètre dépendant du format

A propos du mémoire présélectionné

Ce projecteur est doté de 43 types de données présélectionnées pour les signaux d'entrée (la mémoire de présélection). Lorsqu'un signal présélectionné est entré, ce projecteur détecte automatiquement le type du signal. Lorsque le signal est enregistré dans la mémoire de présélection, une image adéquate s'affiche à l'écran en fonction du type de signal. Le type du signal d'entrée s'affiche dans le menu REGL ENTREE. Vous pouvez ajuster les données présélectionnées à l'aide du menu REGL ENTREE.

Ce projecteur est également doté de 20 types de mémoires utilisateur pour chaque ENT. A/B. Vous pouvez enregistrer un nouveau type de signal qui n'est pas présélectionné. Lorsqu'un signal non présélectionné est entré pour la première fois, le réglage via ENT.A/B ajusté dans le menu REGL ENTREE est enregistré. Lorsque plus de 20 mémoires utilisateur ont été enregistrées pour chaque ENT. A/B, la mémoire la plus récente remplace automatiquement la plus ancienne.

Signaux présélectionnés

N° de mémoire	Signal présélectionné		fH (kHz)	fV (Hz)	Synchronisation	AMPL H
1	Vidéo 60 Hz		15,734	59,940	H-nég V-nég	1572
2	Vidéo 50 Hz		15,625	50,000	H-nég V-nég	1864
3	RVB15k/Composant 60 Hz		15,734	59,940	S sur V	1572
4	RVB15k/Composant 50 Hz		15,625	50,000	S sur V	1864
5	HDTV		33,750	60,000	S sur V	2200
6	640 × 350	VGA mode 1	31,469	70,086	H-pos V-nég	800
7		VGA VESA 85 Hz	37,861	85,080	H-pos V-nég	832
8	640 × 400	PC-9801 Normal	24,823	56,416	H-nég V-nég	848
9		VGA mode 2	31,469	70,086	H-nég V-pos	800
10		VGA VESA 85 Hz	37,861	85,080	H-nég V-pos	832
11	640 × 480	VGA mode 3	31,469	59,940	H-nég V-nég	800
12		Macintosh 13"	35,000	66,667	S sur V	864
13		VGA VESA 72 Hz	37,861	72,809	H-nég V-nég	832
14		VGA VESA 75 Hz	37,500	75,000	H-nég V-nég	840
15		VGA VESA 85 Hz	43,269	85,008	H-nég V-nég	832
16	800 × 600	SVGA VESA 56 Hz	35,156	56,250	H-pos V-pos	1024
17		SVGA VESA 60 Hz	37,879	60,317	H-pos V-pos	1056
18		SVGA VESA 72 Hz	48,077	72,188	H-pos V-pos	1040
19		SVGA VESA 75 Hz	46,875	75,000	H-pos V-pos	1056
20		SVGA VESA 85 Hz	53,674	85,061	H-pos V-pos	1048
21	832 × 624	Macintosh 16"	49,724	74,550	H-nég V-nég	1152
22	1024 × 768	XGA VESA 43 Hz	35,524	43,479	H-pos V-pos	1264
23		XGA VESA 60 Hz	48,363	60,004	H-nég V-nég	1344
24		XGA VESA 70 Hz	56,476	69,955	H-nég V-nég	1328
25		XGA VESA 75 Hz	60,023	75,029	H-pos V-pos	1312
26		XGA VESA 85 Hz	68,677	84,997	H-pos V-pos	1376
27		1152 × 864	SXGA VESA 70 Hz	63,995	70,019	H-pos V-pos
28	SXGA VESA 75 Hz		67,500	75,000	H-pos V-pos	1600
29	SXGA VESA 85 Hz		77,487	85,057	H-pos V-pos	1568
30	1152 × 900	Sunmicro LO	61,795	65,960	H-nég V-nég	1504
31		Sunmicro HI	71,713	76,047	C-nég	1472
32	1280 × 960	SXGA VESA 60 Hz	60,000	60,000	H-pos V-pos	1800
33		SXGA VESA 75 Hz	75,000	75,000	H-pos V-pos	1728
34	1280 × 1024	SXGA VESA 43 Hz	46,433	43,436	H-pos V-pos	1696
35		SXI-5	53,316	50,062	S sur V	1680
36		SXGA VESA 60 Hz	63,974	60,013	H-pos V-pos	1696
37		SXGA VESA 75 Hz	79,976	75,025	H-pos V-pos	1688
43	480/60p	480/60p (Composantes progressif)	31,470	60,000	S sur V	774
44	575/50p	575/50p (Composantes progressif)	31,250	50,000	S sur V	920
45	1080/50i	1080/50i	28,130	50,000		2640
47	720/60p	720/60p	45,000	60,000		1650
48	720/50p	720/50p	37,500	50,000		1980
49	1080/48i	1080/48i	27,000	48,000		2750

1) Les signaux RVB d'un ordinateur

Après que toutes les données ont été rappelées de la mémoire de présélection pour les signaux suivants, vous pouvez utiliser ces données présélectionnées en ajustant AMPL H, effectuer un réglage fin à l'aide de DEPL.

Signal	N° de mémoire	AMPL H
Super Mac-2	23	1312
SGI-1	23	1320
Macintosh 19"	25	1328
Macintosh 21"	28	1456
Sony News	36	1708
PC-9821 1280 × 1024	36	1600
WS Sunmicro	37	1664

Remarque

Une partie de l'écran est affichée en noir en fonction du rapport d'écran du signal d'entrée.

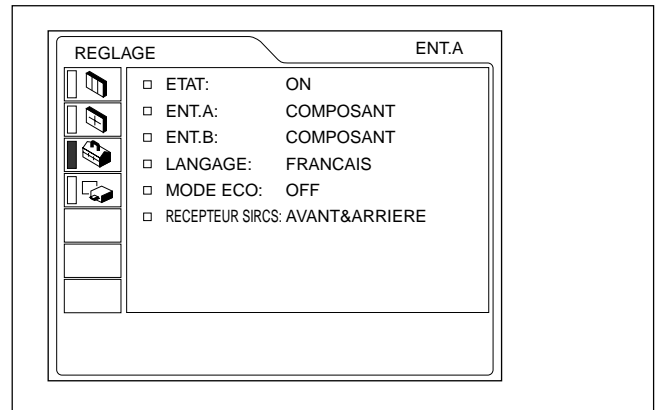
Paramètres réglages de MEMOIRE VIDEO

Les paramètres que vous pouvez régler sous MEMOIRE VIDEO sont :

- "CONTRASTE", "LUMIERE", "COULEUR", "TEINTE", "NETTETE", "OPTIMISEUR RVB", "IMAGE D.", "TEMP COULEU", "STANDARD" et "DRC-MF" dans le menu CTRL IMAGE.
- "FORMAT", "CONV FREQ", "DEFILEMENT V" et "AIRE TITRE" dans le menu REGL ENTREE.

Le menu REGLAGE

Le menu REGLAGE est utilisé pour modifier les réglages du projecteur.



ETAT (affichage)

Règle l'affichage sur écran.

ON: Affichage de tous les écrans de menu.

OFF: Désactive les affichages à l'exception des menus, du message d'indication de mise hors tension et des messages d'avertissement.

ENT. A

Sélectionne le signal d'ordinateur, composante, DTV YPBPR ou DTV GBR entré via le connecteur INPUT A.

Remarque

Si le réglage n'est pas correct, l'indication "Vérifiez réglage ENT. A." apparaît à l'écran et les couleurs de l'image deviennent anormales ou l'image ne s'affiche pas.

ENT. B

Sélectionne le signal d'ordinateur, composante, DTV YPBPR ou DTV GBR entré via le connecteur INPUT B.

Remarques

- Si le réglage n'est pas correct, l'indication "Vérifiez réglage ENT. B." apparaît à l'écran et les couleurs de l'image deviennent anormales ou l'image ne s'affiche pas.
- Réglez le signal composante progressif, p.ex. DVD, sur "COMPOSANT"; le signal RVB 15k, p.ex. jeux, sur "ORDINATEU".

LANGAGE

Sélectionne la langue d'affichage du menu et des écrans de menu.

Les langues disponibles sont les suivantes: anglais, français, allemand, italien, espagnol, japonais et chinois.

MODE ECO

Lorsque vous sélectionnez ON, le projecteur passe en mode d'économie d'énergie si aucun signal n'est entré pendant 10 minutes.

Le mode d'économie d'énergie est annulé lorsqu'un signal est entré ou lorsqu'une touche est enfoncée.

RECEPTEUR SIRCS

Sélectionne les capteurs de télécommande (récepteur SIRCS) à l'avant et à l'arrière du projecteur.

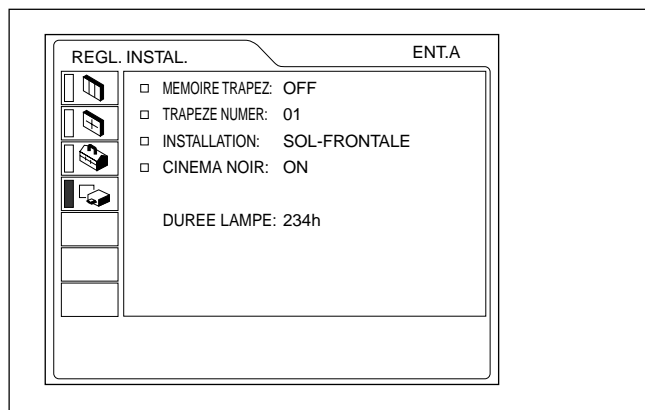
AVANT & ARRIERE: Active les capteurs avant et arrière.

AVANT: Active uniquement le capteur avant.

ARRIERE: Active uniquement le capteur arrière.

Le menu REGL. INSTAL.

Le menu REGL. INSTAL. est utilisé pour modifier les réglages du projecteur.



MEMOIRE TRAPEZ

ON: Le réglage TRAPEZE NUMER est mémorisé.

Les données sont récupérées lorsque le projecteur est mis sous tension. Le réglage reste inchangé.

OFF: TRAPEZE NUMER sera réinitialisé sur 0 la prochaine fois que le projecteur sera mis sous tension.

TRAPEZE NUMER

Corrige la distorsion trapézoïdale de l'écran causée par l'angle de projection.

Si le bord inférieur est plus large, sélectionnez une valeur négative ; si le bord supérieur est plus large, sélectionnez une valeur positive de manière à obtenir une image optimale.

Remarque

Si "ZOOM", "PLEIN" ou "NORMAL" a été sélectionné sous FORMAT dans le menu REGL. ENTREE, vous ne pouvez pas modifier la forme trapézoïdale.

INSTALLATION

Règle l'inversion horizontale ou verticale de l'image.

SOL-FRONTALE: L'image n'est pas inversée.

PLAF.-FRONT.: L'image est inversée horizontalement et verticalement.

SOL-RETRO: L'image est inversée horizontalement.

PLAFOND-RETRO: L'image est inversée verticalement.

Remarque

Si vous utilisez un miroir, veuillez plus particulièrement à l'installation parce qu'il est possible que l'image soit inversée.

CINEMA NOIR

Commute la puissance de la lampe durant la projection.

OFF: Puissance normale.

ON: Renforce le noir en réduisant la puissance de la lampe.

Si CINEMA NOIR est réglée sur ON, la prochaine fois que le système sera mis sous tension, la lampe fonctionnera suivant le réglage OFF pendant la première minute, et passera ensuite sur ON.

Il faut environ 2 à 3 secondes pour changer la puissance.

DUREE LAMPE

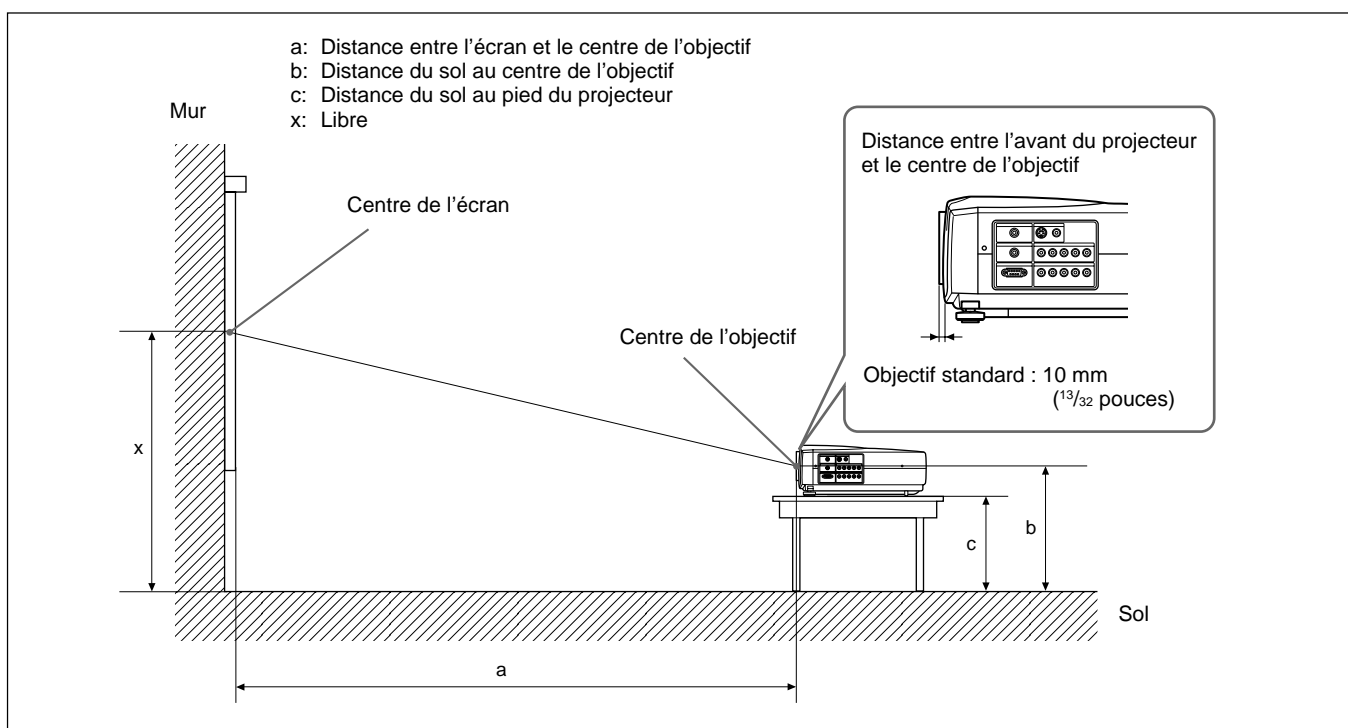
Indique la durée d'activation de la lampe.

Remarque

Seule la durée s'affiche. Vous ne pouvez pas changer l'affichage.

Exemples d'installation

Installation au sol



Unité: mm (pouces)

Taille de l'écran 16:9 (pouces)		40	60	80	100	120	150	180	200	250	300
a	Minimum	1260 (49 5/8)	1930 (76)	2600 (102 3/8)	3270 (128 7/8)	3930 (154 3/4)	4940 (194 5/8)	5940 (234)	6610 (260 3/8)	8270 (325 3/4)	9940 (391 1/2)
	Maximum	1470 (58)	2240 (88 1/4)	3010 (118 5/32)	3780 (148 7/8)	4550 (179 1/4)	5710 (224 7/8)	6860 (270 1/8)	7630 (300 1/2)	9560 (376 1/2)	11480 (452 1/8)
b		x-249 (9 7/8)	x-374 (14 3/4)	x-498 (19 5/8)	x-623 (24 5/8)	x-747 (29 1/2)	x-934 (36 7/8)	x-1121 (44 1/8)	x-1245 (49 1/8)	x-1556 (61 3/8)	x-1868 (73 5/8)
c		x-349 (13 3/4)	x-473 (18 5/8)	x-598 (23 5/8)	x-722 (28 1/2)	x-847 (33 3/8)	x-1033 (40 3/4)	x-1220 (48 1/8)	x-1345 (53)	x-1656 (65 1/4)	x-1967 (77 1/2)

Pour calculer les distances d'installation (unité : mm)

SS: diagonale de l'écran (pouces)

$$a \text{ (minimum)} = \{(SS \times 44,22/1,3573) - 70,76208\} \times 1,025$$

$$a \text{ (maximum)} = \{(SS \times 53,599173/1,3573) - 70,17171\} \times 0,975$$

$$b = x - (SS/1,3573 \times 8,45)$$

$$c = x - (SS/1,3573 \times 8,45 + 99,5)$$

Unité: mm (pouces)

Taille de l'écran 4:3 (pouces)		40	60	80	100	120	150	180	200	250	300
a	Minimum	1560 (61 1/2)	2380 (93 3/4)	3200 (126)	4020 (158 5/8)	4830 (190 1/4)	6060 (238 5/8)	7290 (287 1/8)	8100 (319)	10150 (399 3/4)	12190 (480)
	Maximum	1820 (71 3/4)	2760 (108 3/4)	3700 (145 3/4)	4650 (183 1/8)	5590 (220 1/8)	7000 (275 5/8)	8420 (331 5/8)	9360 (368 5/8)	11720 (461 1/2)	14070 (554 1/8)
b		x-305 (12)	x-457 (18 1/8)	x-610 (24 1/8)	x-762 (30 1/8)	x-915 (36 1/8)	x-1143 (45 1/8)	x-1372 (54 1/8)	x-1524 (60 1/8)	x-1905 (75 1/8)	x-2287 (90 1/8)
c		x-404 (16)	x-557 (22)	x-709 (28)	x-862 (34)	x-1014 (40)	x-1243 (49)	x-1471 (58)	x-1624 (64)	x-2005 (78 31/32)	x-2386 (94)

Pour calculer les distances d'installation (unité : mm)

SS: diagonale de l'écran (pouces)

$$a \text{ (minimum)} = \{(SS \times 44,22/1,1087) - 70,76208\} \times 1,025$$

$$a \text{ (maximum)} = \{(SS \times 53,597384/1,1087) - 70,27214\} \times 0,975$$

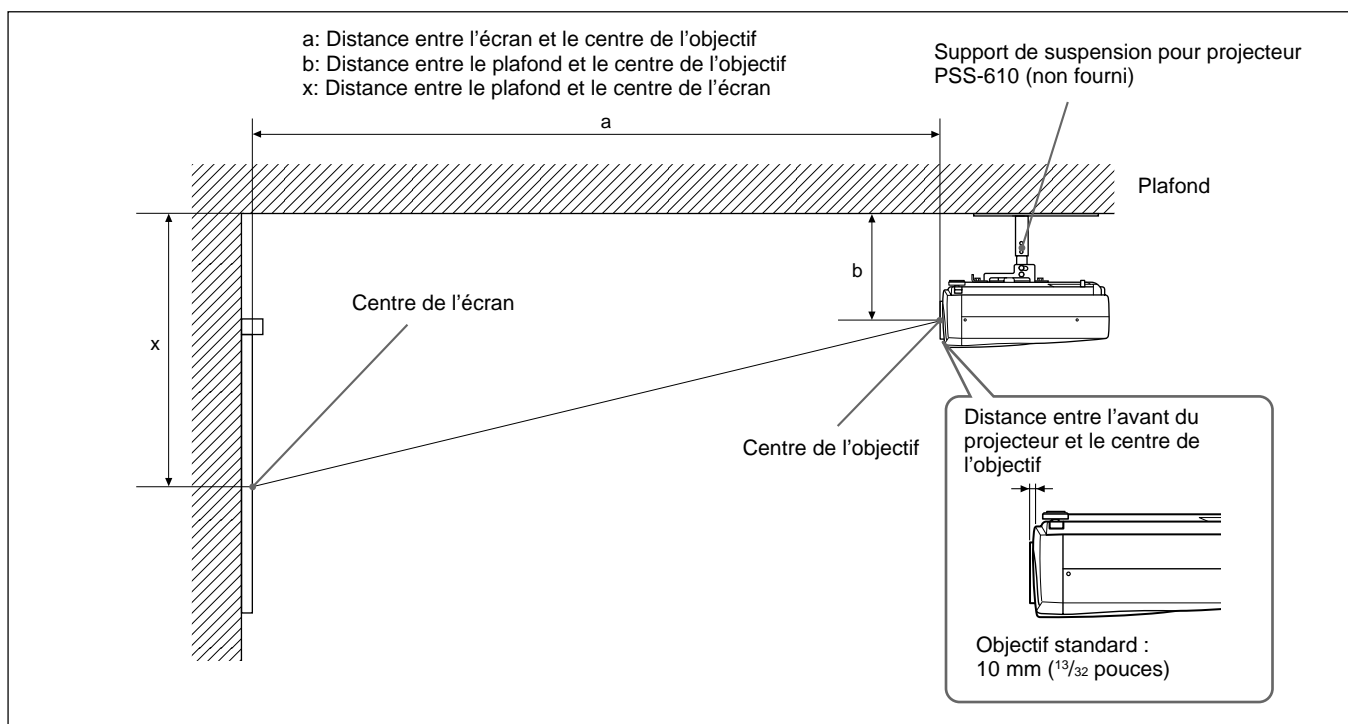
$$b = x - (SS/1,1087 \times 8,45)$$

$$c = x - (SS/1,1087 \times 8,45 + 99,5)$$

Installation au plafond

Si vous installez le projecteur au plafond, utilisez le support de suspension pour projecteur PSS-610.

Pour une installation au plafond, consultez le personnel Sony qualifié.



Unité: mm (pouces)

Taille de l'écran 16:9 (pouces)		80	100	120	150	180	200	250	300
a	Minimum	2600 (102 3/8)	3270 (128 7/8)	3930 (154 3/4)	4940 (194 5/8)	5940 (234)	6610 (260 3/8)	8270 (325 3/4)	9940 (391 1/2)
	Maximum	3010 (118 5/32)	3780 (148 7/8)	4550 (179 1/4)	5710 (224 7/8)	6860 (270 1/8)	7630 (300 1/2)	9560 (376 1/2)	11480 (452 1/8)
x		b+498 (19 5/8)	b+623 (24 5/8)	b+747 (29 1/2)	b+934 (36 7/8)	b+1121 (44 1/8)	b+1245 (49 1/8)	b+1556 (61 3/8)	b+1868 (73 5/8)
b		247/272/297/347/372/397 mm (9 3/4/10 3/4/11 3/4/13 3/4/14 3/4/15 3/4 pouces) réglable si vous utilisez un PSS-610							

Pour calculer les distances d'installation (unité : mm)

SS: diagonale de l'écran (pouces)

$$a \text{ (minimum)} = \{(SS \times 44,22/1,3573) - 70,76208\} \times 1,025$$

$$a \text{ (maximum)} = \{(SS \times 53,599173/1,3573) - 70,17171\} \times 0,975$$

$$x = b + (SS/1,3573 \times 8,45)$$

Unité: mm (pouces)

Taille de l'écran 4:3 (pouces)		80	100	120	150	180	200	250	300
a	Minimum	3200 (126)	4020 (158 5/16)	4830 (190 1/4)	6060 (238 5/8)	7290 (287 1/8)	8100 (319)	10150 (399 3/4)	12190 (480)
	Maximum	3700 (145 3/4)	4650 (183 1/8)	5590 (220 1/8)	7000 (275 5/8)	8420 (331 5/8)	9360 (368 5/8)	11720 (461 1/2)	14070 (554 1/8)
x		b+610 (24 1/8)	b+762 (30 1/8)	b+915 (36 1/8)	b+1143 (45 1/8)	b+1372 (54 1/8)	b+1524 (60 1/8)	b+1905 (75 1/8)	b+2287 (90 1/8)
b		247/272/297/347/372/397 mm (9 3/4/10 3/4/11 3/4/13 3/4/14 3/4/15 3/4 pouces) réglable si vous utilisez un PSS-610							

Pour calculer les distances d'installation (unité : mm)

SS: diagonale de l'écran (pouces)

$$a \text{ (minimum)} = \{(SS \times 44,22/1,1087) - 70,76208\} \times 1,025$$

$$a \text{ (maximum)} = \{(SS \times 53,597384/1,1087) - 70,27214\} \times 0,975$$

$$x = b + (SS/1,1087 \times 8,45)$$

Fixation du support de suspension pour projecteur PSS-610

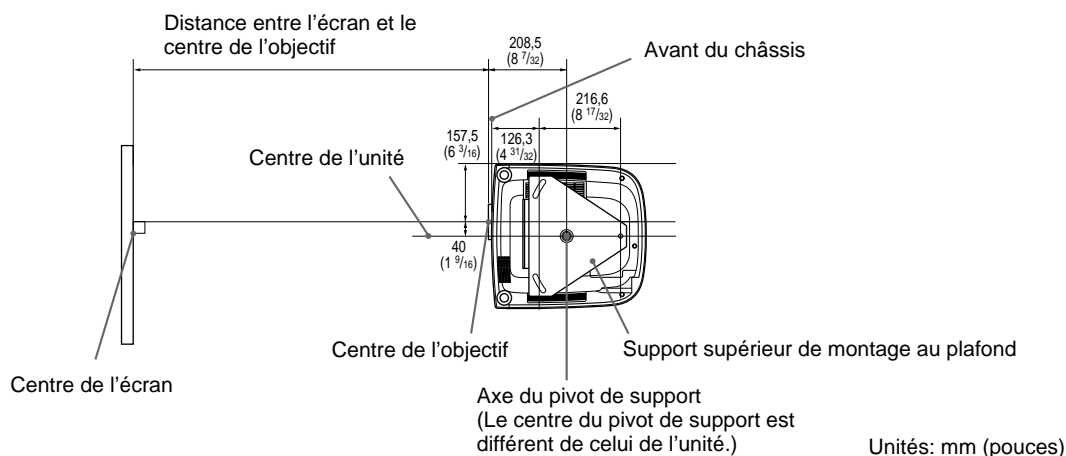
Si vous installez le projecteur au plafond, utilisez le support de suspension pour projecteur PSS-610. Pour plus de détails sur l'installation au plafond, reportez-vous au manuel d'installation du PSS-610 destiné aux

revendeurs. Les distances d'installation sont indiquées ci-dessous lorsque vous installez le projecteur au plafond.

Diagramme d'installation

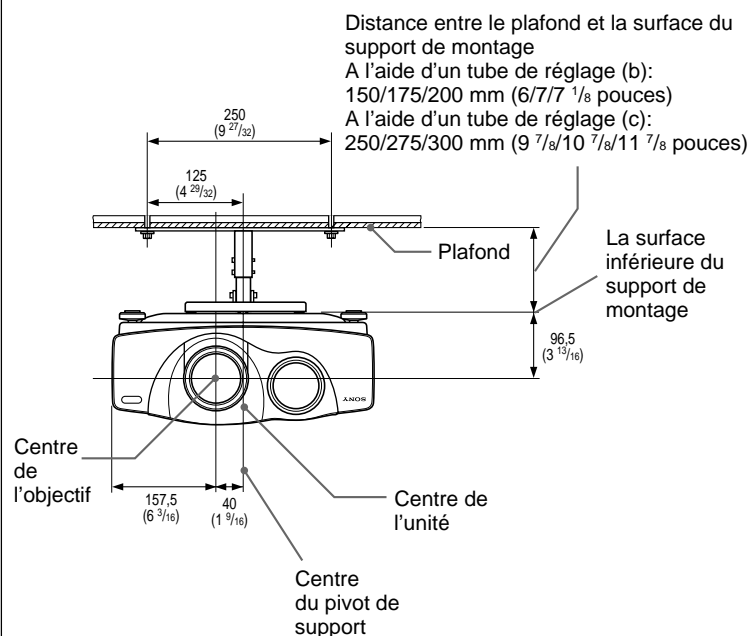
Vue du dessus

Alignez le centre de l'objectif sur le centre de l'écran.

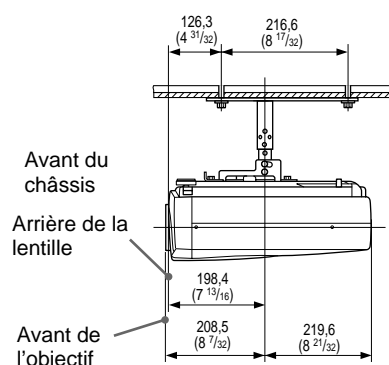


Vue frontale

L'objectif est décalé de 40 mm (1 9/16 pouces) à droite de l'axe du pivot de support. Lors du montage, veillez à aligner le centre de l'objectif sur le centre de l'écran ; pas sur l'axe du pivot de support.



Vue latérale

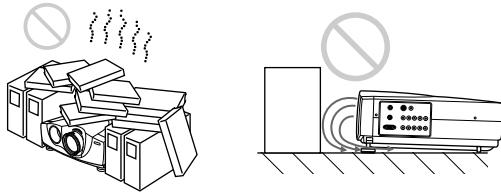


Remarques concernant l'installation

Installation déconseillée

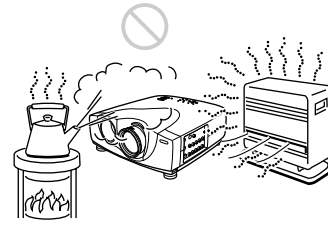
N'installez pas le projecteur dans les conditions suivantes. Ces installations peuvent entraîner un dysfonctionnement ou causer des dommages au projecteur.

Manque de ventilation



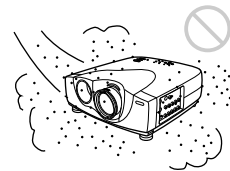
- Assurez une circulation d'air adéquate afin d'éviter toute surchauffe interne. Ne placez pas l'appareil sur des surfaces textiles (tapis, couvertures, etc.) ni à proximité de tissus (rideaux, draperies) qui risquent d'obstruer les orifices de ventilation. Si la température intérieure augmente à la suite d'une obstruction des orifices de ventilation, le capteur de température se déclenche et le message "Surchauffe! Lampe OFF 1 min." s'affiche. Le projecteur se met alors automatiquement hors tension après une minute.
- Laissez un espace libre de plus de 30 cm (11 7/8 pouces) autour du projecteur.
- Veillez à ce que les orifices de ventilation n'aspirent pas de particules telles que des morceaux de papier.
- Si vous placez quelque chose devant les orifices de ventilation avant, l'air expulsé du projecteur risque d'être aspiré par les orifices de ventilation situés sur le dessous, provoquant ainsi une élévation de la température interne et une activation du circuit de protection. Installez le projecteur de façon à ne pas entraver la sortie d'air.

Exposition à la chaleur et à l'humidité



- N'installez pas l'appareil dans un endroit où la température et l'humidité sont très élevées ou dans un endroit très froid.
- Pour éviter la condensation d'humidité, n'installez pas l'appareil dans un endroit où la température peut augmenter rapidement.

Endroit poussiéreux

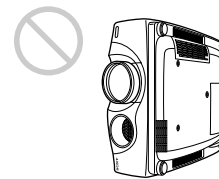


N'installez pas l'appareil dans un endroit très poussiéreux, faute de quoi le filtre à air va s'obstruer. La poussière obstruant le passage de l'air dans le filtre peut entraîner une augmentation de la température intérieure du projecteur. Procédez à un remplacement de filtre à air périodiquement.

Conditions d'utilisation déconseillées

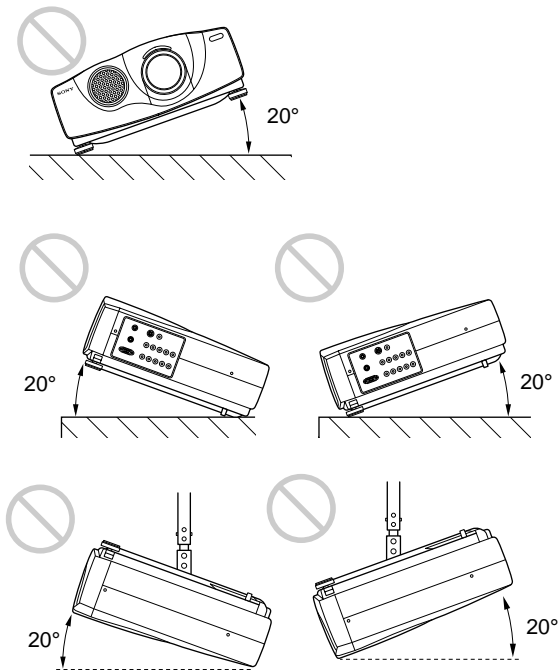
N'effectuez aucune des opérations suivantes.

N'installez pas le projecteur sur son flanc.



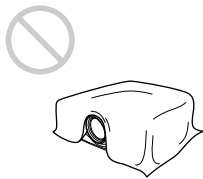
Ne faites pas fonctionner l'appareil lorsqu'il se trouve sur son flanc. Cette position peut entraîner un dysfonctionnement.

Inclinaison vers l'avant/l'arrière et la droite/la gauche



Ne faites pas fonctionner l'appareil lorsqu'il est incliné de plus de 20 degrés. N'installez pas l'appareil ailleurs que sur le sol ou au plafond. Ces positions d'installation peuvent provoquer un dysfonctionnement.

N'obstruez pas les orifices de ventilation.



Ne recouvrez pas les orifices de ventilation du projecteur, faute de quoi une surchauffe interne risque de se produire.

Entretien

Remarques

- Si la lampe casse, adressez-vous à un personnel Sony qualifié.
- Extrayez la lampe par la poignée. Si vous touchez le module de lampe, vous risquez de vous brûler ou de vous blesser.
- Lorsque vous retirez la lampe, assurez-vous qu'elle reste horizontale et extrayez-la perpendiculairement. N'inclinez pas le module de lampe. Si vous extrayez la lampe alors qu'elle est inclinée et qu'elle grille, elle risque de voler en éclats et de causer des blessures.

Remplacement de la lampe

Lorsque la lampe s'assombrit, remplacez-la rapidement par une nouvelle lampe pour projecteur LMP-P200 (non fournie).

Il est recommandé de remplacer la lampe après environ 1000 heures pour le réglage OFF, ou environ 2000 heures pour le réglage ON dans CINEMA NOIR.

Lorsque le moment est venu de remplacer la lampe, le message "Remplacer la lampe." s'affiche.

Remplacement de la lampe après avoir utilisé le projecteur

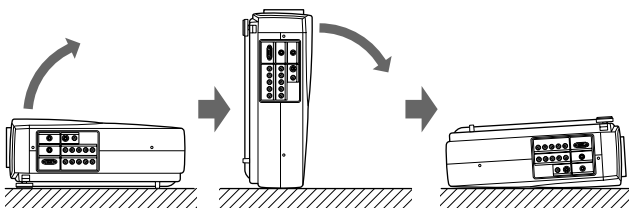
Mettez le projecteur hors tension et débranchez ensuite le câble d'alimentation.

Attendez au moins une heure que la lampe ait refroidi.

Remarque

La lampe est encore brûlante après que vous avez mis le projecteur hors tension à l'aide de la touche I / ⏻. Si vous touchez la lampe, vous risquez de vous brûler les doigts. Lorsque vous voulez remplacer la lampe, attendez au moins une heure qu'elle ait refroidi.

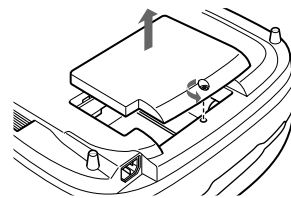
- 1 Placez une feuille de protection (chiffon) sous le projecteur. Maintenez le projecteur et tournez le projecteur vers l'arrière comme illustré ci-dessous.



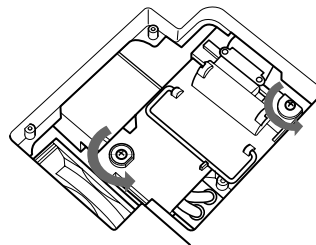
Remarque

Pour remplacer la lampe, placez le projecteur sur une surface plane et stable.

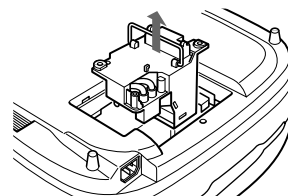
- 2 Ouvrez le couvercle de la lampe en desserrant une vis à l'aide du tournevis Philips (fourni avec la lampe pour projecteur LMP-P200).



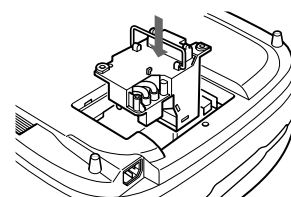
- 3 Desserrez deux vis du module de lampe avec le tournevis Philips.



- 4 Tout en maintenant la lampe à l'horizontale par la poignée, redressez le projecteur.



- 5 Insérez la nouvelle lampe jusqu'à ce qu'elle se mette en place. Serrez les vis. Repliez la poignée.



Remarques

- Ne touchez pas la surface en verre de la lampe.
- Le projecteur ne se met pas sous tension tant que la lampe n'est pas correctement fixée.

- 6 Refermez le couvercle de la lampe et serrez la vis.
- 7 Retournez l'arrière du projecteur.
- 8 Raccordez le cordon d'alimentation et mettez le projecteur en mode de veille.
- 9 Appuyez sur les touches suivantes du panneau de commande dans l'ordre suivant pendant moins de cinq secondes chaque fois: RESET, ←, →, ENTER.

Remarques

- N'introduisez pas les doigts dans le logement du module de lampe et veillez à ce qu'aucun objet ou liquide ne pénètre à l'intérieur afin d'éviter tout risque d'incendie ou de décharge électrique.
- Utilisez une lampe pour projecteur LMP-P200 pour le remplacement. Si vous utilisez une autre lampe qu'une LMP-P200, le projecteur risque de présenter un dysfonctionnement.
- N'oubliez pas de mettre le projecteur hors tension et de débrancher le câble d'alimentation avant de remplacer la lampe.

Élimination de la lampe pour projecteur usagée

Étant donné que les matériaux utilisés dans cette lampe sont similaires à ceux d'une lampe fluorescente, vous devez éliminer les lampes pour projecteur usagées de la même manière que les lampes fluorescentes.

Remplacement du filtre à air

Le filtre à air doit être remplacé toutes les 500 heures.

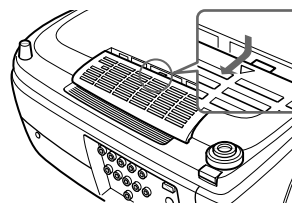
Pour procéder à ce remplacement, appliquez la procédure suivante :

Remarque

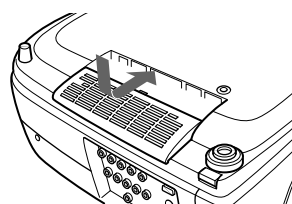
Si vous ne remplacez pas le filtre à air régulièrement, la poussière risque de s'accumuler et d'obstruer le filtre après environ 500 heures d'utilisation. Si cela se produit et en cas de surchauffe interne de l'appareil, le système de protection peut vous empêcher d'utiliser le projecteur pendant un court moment. Ce filtre ne peut pas être nettoyé ; remplacez-le régulièrement.

- 1 Mettez le projecteur hors tension et débranchez le cordon d'alimentation.

- 2 Tout en appuyant sur le repère triangulaire situé sur le filtre à air, faites glisser et retirez le filtre à air (sur le dessous du projecteur).



- 3 Insérez le nouveau filtre dans les glissières du projecteur, puis faites-le glisser jusqu'à ce qu'il s'encliquette.



Remarques

- Assurez-vous que le filtre à air est parfaitement fixé. Dans le cas contraire, le projecteur ne pourra pas être mis sous tension.
- Remplacez le filtre à air, si nécessaire. Calculez les heures d'utilisation à partir de "DUREE LAMPE" (voir page 26(FR)) et utilisez les critères ci-dessous pour déterminer la date de remplacement du filtre à air.
 - 15 heures d'utilisation par semaine : environ 8 mois
 - 30 heures d'utilisation par semaine : environ 4 mois
 - 60 heures d'utilisation par semaine : environ 2 mois

Dépannage

Si le projecteur fonctionne de manière anormale, essayez d'identifier et de remédier au problème en consultant le guide suivant. Si le problème persiste, consultez le personnel Sony qualifié.

Alimentation

Symptôme	Cause	Remèdes
Le projecteur ne se met pas sous tension.	Le projecteur a été mis hors et sous tension à bref intervalle à l'aide de la touche I / ⏻.	Attendez environ 120 secondes avant de mettre le projecteur sous tension (voir page 18 (FR)).
	Le couvercle de la lampe est mal fixé.	Refermez correctement le couvercle de la lampe (voir page 32 (FR)).
	Le filtre à air est mal fixé.	Fermez le filtre à air correctement (voir page 33 (FR)).

Image

Symptôme	Cause	Remèdes
Pas d'image	Le câble est mal branché ou débranché.	Vérifiez si les raccordements ont été correctement effectués (voir pages 13 (FR) et 14 (FR)).
	Réglage d'entrée invalide.	Régalez ENT.A/B en fonction du signal d'entrée.
	La sélection d'entrée est incorrecte.	Sélectionnez correctement la source d'entrée à l'aide de la touche INPUT (voir page 16 (FR)).
	L'image est coupée.	Appuyez sur la touche MUTING PIC pour désactiver la fonction de coupure (voir page 16 (FR)).
	Les signaux de sortie de l'ordinateur ne sont pas transmis vers le moniteur externe.	Transmettez le signal de l'ordinateur vers le moniteur externe (voir page 14 (FR)).
	Le signal de l'ordinateur est à la fois transmis vers l'écran LCD de l'ordinateur et le moniteur externe.	Transmettez le signal de l'ordinateur vers le moniteur externe uniquement (voir page 14 (FR)).
L'image est parasitée.	Si vous transmettez les signaux de l'ordinateur, des parasites peuvent apparaître en arrière-plan de certains écrans suivant le nombre de points des signaux d'entrée et de pixels LCD.	Changez le papier peint du bureau sur l'ordinateur connecté.
L'affichage sur écran n'apparaît pas.	Le paramètre ETAT est réglé sur OFF dans le menu REGLAGE.	Régalez ETAT sur ON dans le menu REGLAGE (voir page 25 (FR)).

Télécommande

Symptôme	Cause	Remèdes
La télécommande ne fonctionne pas.	Les piles de la télécommande sont plates.	Remplacez les piles (voir page 12 (FR)).
	Le câble de télécommande n'est pas raccordé au connecteur CONTROL S IN (projecteur) ou CONTROL S OUT (télécommande).	Raccordez le câble de télécommande au projecteur et à la télécommande ou débranchez le câble (voir page 11 (FR)).
	Le capteur de télécommande avant/arrière se trouve à proximité d'une lampe fluorescente.	Changez le réglage de RECEPTEUR SIRCS dans le menu REGLAGE (voir page 26 (FR)).
	La télécommande est utilisée comme une télécommande filaire sans piles.	Installez des piles (voir page 12 (FR)).

Divers

Symptôme	Cause	Remèdes
L'indicateur LAMP/COVER clignote.	Le couvercle de la lampe ou le filtre à air est mal fixé.	Fixez le couvercle de la lampe ou le filtre à air correctement (<i>voir pages 32 (FR) et 33 (FR)</i>).
L'indicateur LAMP/COVER est allumé.	La lampe a atteint la fin de sa durée de vie utile.	Remplacez la lampe (<i>voir page 32 (FR)</i>).
	La lampe a atteint une température élevée.	Attendez 120 secondes que la lampe ait refroidi et remettez le projecteur sous tension (<i>voir page 18 (FR)</i>).
L'indicateur TEMP/FAN clignote.	Le ventilateur est défectueux.	Consultez le personnel Sony qualifié.
L'indicateur TEMP/FAN est allumé.	La température intérieure est anormalement élevée.	Vérifiez si les orifices de ventilation ne sont pas obstrués. Vérifiez si le filtre à air n'a pas été utilisé plus de 500 heures.
Les indicateurs LAMP/COVER et TEMP/FAN s'allument.	Le système électrique est défaillant.	Consultez le personnel Sony qualifié.

Messages d'avertissement

Consultez la liste ci-dessous pour connaître la signification des messages affichés à l'écran.

Message	Signification	Remèdes
Surchauffe! Lampe OFF 1 min.	La température intérieure est anormalement élevée.	Mettez le projecteur hors tension. Vérifiez si les orifices de ventilation ne sont pas obstrués. Vérifiez si le filtre à air n'a pas été utilisé plus de 500 heures.
Fréquence est hors limites!	Ce signal d'entrée ne peut être projeté car la fréquence est en dehors de la plage compatible avec ce projecteur.	Entrez un signal dans la plage de fréquences compatible avec ce projecteur.
	Le réglage de la définition du signal de sortie de l'ordinateur est trop élevé.	Régalez sortie XGA (<i>voir page 14 (FR)</i>).
Vérifiez le réglage ENT.A.	Vous avez entré un signal RVB depuis l'ordinateur alors que ENT. A dans le menu REGLAGE est réglé sur COMPOSANT, DTV YPbPr ou DTV GBR.	Régalez correctement ENT. A (<i>voir page 25 (FR)</i>).
Vérifiez le réglage ENT.B.	Vous avez entré un signal RVB depuis l'ordinateur alors que ENT. B dans le menu REGLAGE est réglé sur COMPOSANT, DTV YPbPr ou DTV GBR.	Régalez correctement ENT. B (<i>voir page 25 (FR)</i>).
Remplacer la lampe.	Le moment est venu de remplacer la lampe.	Remplacez la lampe.

Messages de mise en garde

Consultez la liste ci-dessous pour connaître la signification des messages affichés à l'écran.

Message	Signification	Remèdes
PAS D'ENTREE	Pas de signal d'entrée	Vérifiez les connexions (<i>voir pages 13 (FR) et 14 (FR)</i>).
Non applicable!	Vous avez appuyé sur une touche incorrecte.	Appuyez sur la touche appropriée.

Spécifications

Caractéristiques optiques

Système de projection

Système de projection à 3
panneaux LCD, 1 objectif

Panneau LCD Panneau LCD p-Si TFT 1,35
pouces 3.147.264 pixels
(1.049.088 pixels × 3)

Objectif Zoom approx. 1,2×
f 44,6 à 53,6 mm/F 2,2 à 2,5

Lampe UHP 200 W

Dimensions de l'image projetée
Plage: 40 à 300 pouces (mesurés
en diagonale)

Flux lumineux 1000 lumen¹⁾ ANSI

Distance de projection

<16:9>

40 pouces: 1260 à 1470 mm
(49 5/8 à 58 pouces)

60 pouces: 1930 à 2240 mm
(76 à 88 1/4 pouces)

80 pouces: 2600 à 3010 mm
(102 3/8 à 118 5/8 pouces)

100 pouces: 3270 à 3780 mm
(128 7/8 à 148 7/8 pouces)

120 pouces: 3930 à 4550 mm
(154 3/4 à 179 1/4 pouces)

150 pouces: 4940 à 5710 mm
(194 5/8 à 224 7/8 pouces)

180 pouces: 5940 à 6860 mm
(234 à 270 1/8 pouces)

200 pouces: 6610 à 7630 mm
(260 3/8 à 300 1/2 pouces)

250 pouces: 8270 à 9560 mm
(325 3/4 à 376 1/2 pouces)

300 pouces: 9940 à 11480 mm
(391 1/2 à 452 1/8 pouces)

<4:3>

40 pouces: 1560 à 1820 mm
(61 1/2 à 71 3/4 pouces)

60 pouces: 2380 à 2760 mm
(93 3/4 à 108 3/4 pouces)

80 pouces: 3200 à 3700 mm
(126 à 145 3/4 pouces)

100 pouces: 4020 à 4650 mm
(158 5/16 à 183 1/8 pouces)

120 pouces: 4830 à 5590 mm
(190 1/4 à 220 1/8 pouces)

150 pouces: 6060 à 7000 mm
(238 5/8 à 275 5/8 pouces)

180 pouces: 7290 à 8420 mm
(287 1/8 à 331 5/8 pouces)

200 pouces: 8100 à 9360 mm
(319 à 368 5/8 pouces)

250 pouces: 10150 à 11720 mm
(399 3/4 à 461 1/2 pouces)

300 pouces: 12190 à 14070 mm
(480 à 554 1/8 pouces)

Caractéristiques électriques

Système couleur Système NTSC_{3.58}/PAL/SECAM/
NTSC_{4.43}/PAL-M/PAL-N, à
commutation automatique/
manuelle

Résolution 750 lignes TV horizontales (entrée
vidéo)
1366 × 768 points (entrée RVB)

Signaux d'ordinateur acceptables
fH: 15 à 80 kHz
fV: 50 à 85 Hz

Entrées/sorties

VIDEO IN VIDEO: type RCA
Vidéo composite: 1 Vp-p ±2 dB
sync négative (terminaison à
75 ohms)

S-VIDEO: Y/C miniconnecteur
DIN à 4 broches (femelle)
Y (luminance): 1 Vp-p ±2 dB
sync négative (terminaison à
75 ohms)

C (chrominance): salve
0,286 Vp-p ±2 dB (NTSC)
(terminaison à 75 ohms),
salve 0,3 Vp-p ±2 dB (PAL)
(terminaison à 75 ohms)

INPUT A/B Composant/Composant progressif/
HDTV/RVB:
Type RCA (femelle)
V: 0,7 Vp-p ±2 dB (terminaison
à 75 ohms)
V avec sync/Y: 1 Vp-p ±2 dB
sync négative (terminaison à
75 ohms)
B/CB/PB: 0,7 Vp-p ±2 dB
R/CR/PR: 0,7 Vp-p ±2 dB
(terminaison à 75 ohms)

1) Les lumens ANSI sont une méthode de mesure de l'American National Standard IT 7.228.

SYNC/HD:

Entrée sync composite:
1-5 Vp-p haute impédance,
positive/négative

Entrée sync horizontale:
1-5 Vp-p haute impédance,
positive/négative

VD:

Entrée sync verticale: 1-5 Vp-p
haute impédance, positive/
négative

REMOTE RS-232C: D-sub à 9 broches
(femelle)

CONTROL S IN/PLUG IN POWER
Miniprise stéréo 5Vp-p, auto-
alimenté, 5 V CC

TRIGGER Mise sous tension: 12 V CC
Impédance de sortie de
4,7 kohms

Mise hors tension: 0 V

Réglementation de sécurité:

UL, cUL (CSA), FCC Classe B, IC
Classe B, EN60 950, CE, C-Tick

Accessoires fournis

Télécommande RM-PJW10 (1)
Piles AA (R6) (2)
Bouchon d'objectif (1)
Câble d'alimentation (1)
Filtre à air (de réserve) (1)
Mode d'emploi (1)

La conception et les spécifications sont sujettes à modifications sans préavis.

Accessoires en option

Lampe pour projecteur LMP-P200 (de réserve)
Support de suspension pour projecteur PSS-610

Il est possible que certains de ces accessoires ne soient pas disponibles dans certaines zones géographiques. Pour plus de détails, veuillez consulter votre revendeur Sony.

Caractéristiques générales

Dimensions 395 × 168 × 427 mm (13 ³/₈ × 5 ⁵/₈
× 13 ¹/₄ pouces) (l/h/p)

Masse Approx. 8 kg (17 lb 10 oz)

Puissance de raccordement
100 à 240 V CA, 50/60 Hz

Consommation Max. 300 W (mode de veille:
6 W)

Appel de courant de crête
(1) Mise sous tension (ON),
méthode de sondage du courant:
58,0A (240V)
(2) Mesuré conformément à la
norme européenne EN55103-1:
24,3A (230V)

Température de service
0 à 40 °C (32 à 104 °F)

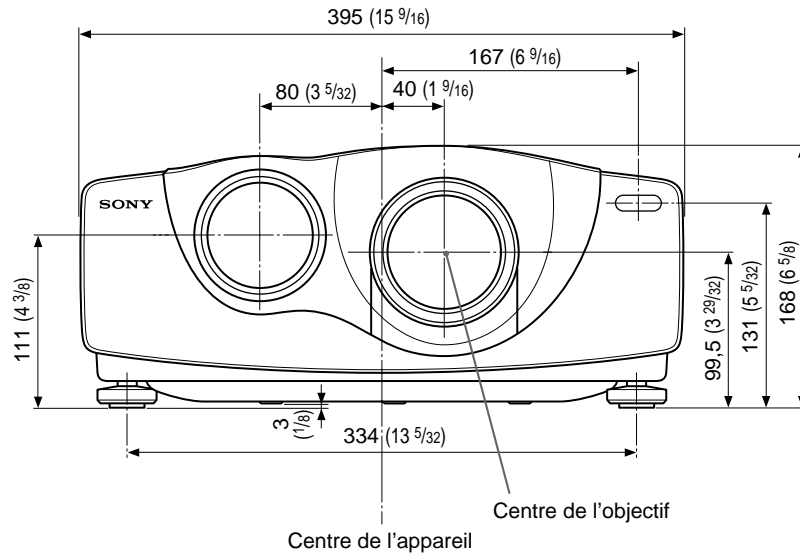
Humidité de service
35 à 85 % (sans condensation)

Température de stockage
-20 à 60 °C (-4 à 140 °F)

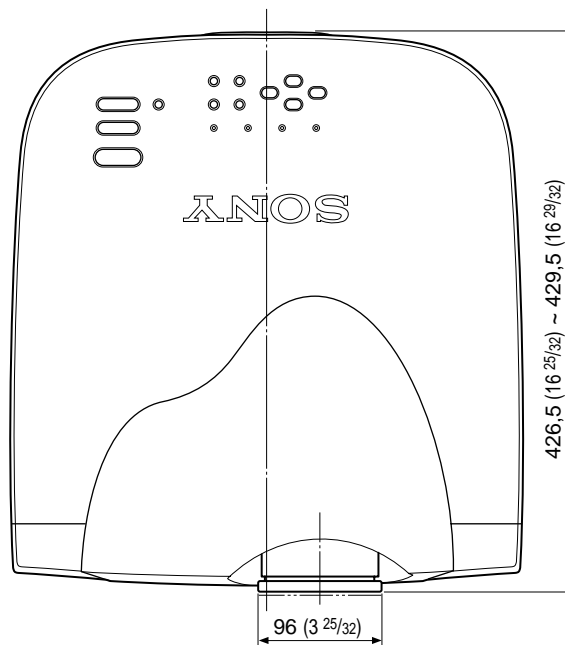
Humidité de stockage
10 à 90 %

Dimensions

Avant

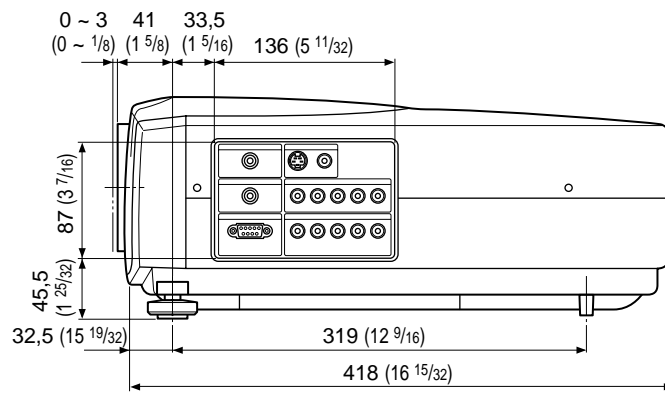


Dessus

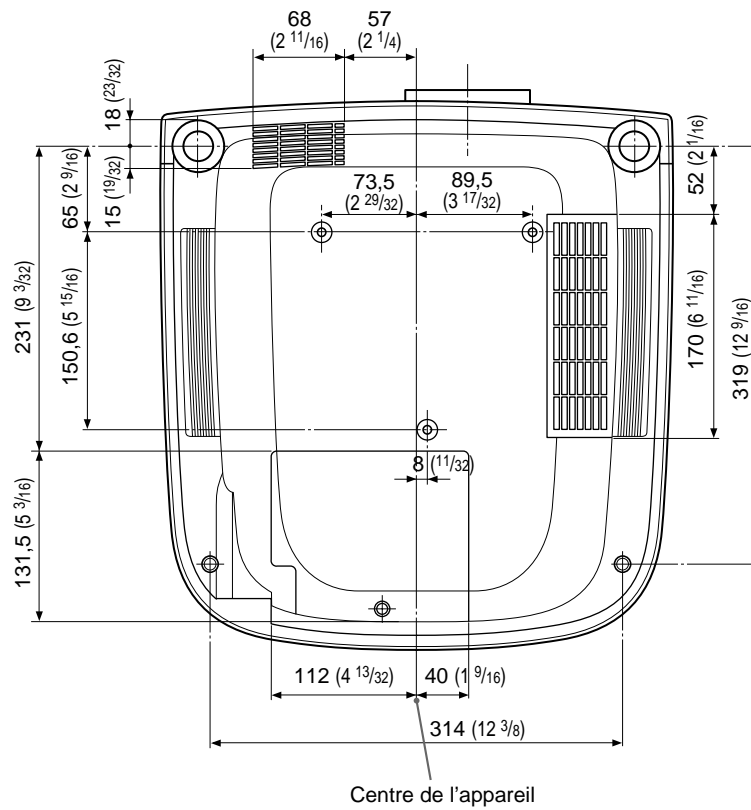


Unité: mm (pouces)

Côté



Bas



Unité: mm (pouces)

Index

A, B

Accessoires en option 37 (FR)
 Accessoires fournis 37 (FR)
 AIRE TITRE 23 (FR)
 Alimentation
 mise hors tension 18 (FR)
 mise sous tension 16 (FR)
 AMPL H 21 (FR)

C

Capteur de télécommande
 arrière 7 (FR)
 avant 7 (FR)
 CINEMA NOIR 26 (FR)
 Condensation 30 (FR)
 Connecteur RS-232C 10 (FR)
 CONTRASTE 20 (FR)
 CONV FREQ (convertisseur de fréquence)
 23 (FR)
 COULEUR 20 (FR)
 Coupure de l'image 16 (FR)

D

DEFILEMENT V 23 (FR)
 DEPL. 22 (FR)
 Dimensions 38 (FR)
 DRC-MF 21 (FR)
 DUREE LAMPE 26 (FR)
 Dépannage 34 (FR)

E

Emplacement et fonction des commandes
 arrière/côté droit/dessous 7 (FR)
 avant/côté gauche 7 (FR)
 panneau de commande 9 (FR)
 panneau des connecteurs 10 (FR)
 Télécommande 11 (FR)
 ENT.A 25 (FR)
 ENT.B 25 (FR)
 ETAT (affichage) 25 (FR)
 Exemples d'installation 27 (FR)
 au plafond 28 (FR)
 sur le sol 27 (FR)

F, G, H

Filtre à air 33 (FR)
 FORMAT 22 (FR)
 Formats d'écran 12 (FR), 27 (FR),
 28 (FR)

I, J, K

IMAGE D. (dynamique) 20 (FR)
 INSTALLATION 26 (FR)

L

LANGAGE 26 (FR)
 LUMIERE 20 (FR)

M, N

MEMOIRE TRAPEZ 26 (FR)
 MEMOIRE VIDEO 23 (FR)
 Menu
 désactivation de l'affichage du menu
 15 (FR)
 Menu CTRL IMAGE 20 (FR)
 Menu REGL ENTREE 21 (FR)
 Menu REGL. INSTAL. 26 (FR)
 Menu REGLAGE 25 (FR)
 utilisation du menu 19 (FR)
 Messages
 avertissements 35 (FR)
 mises en garde 35 (FR)
 Menu CTRL IMAGE 20 (FR)
 Menu REGL ENTREE 21 (FR)
 Menu REGL. INSTAL. 26 (FR)
 Menu REGLAGE 25 (FR)
 MODE ECO 9 (FR), 26 (FR)
 NETTETE 20 (FR)

O

OPTIMISEUR RVB 20 (FR)
 Orifices de ventilation
 prise d'air 7 (FR)
 sortie d'air 7 (FR)

P, Q

PHASE 21 (FR)
 Piles
 installation 12 (FR)
 remarques 12 (FR)
 Projection 16 (FR)
 Précautions 5 (FR)

R

Raccordement
 magnétoscope 13 (FR)
 ordinateur 14 (FR)
 système à composants 13 (FR)
 RECEPTEUR SIRCS 7 (FR), 26 (FR)
 Remarques concernant l'installation
 30 (FR)
 Conditions d'utilisation déconseillées
 30 (FR)
 Installation déconseillée 30 (FR)
 Remplacement de la lampe 32 (FR)
 Réglage
 de l'image 20 (FR)
 mémoire de réglages 19 (FR)
 taille/déplacement de l'image 21 (FR),
 22 (FR)
 Réglage de la taille de l'image 16 (FR)
 Réinitialisation
 paramètres réglables 19 (FR)
 réinitialisation d'un paramètre 19 (FR)

S

Spécifications 36 (FR)
 STANDARD 21 (FR)
 Support de suspension pour projecteur
 PSS-610 28 (FR)
 Supports réglables 8 (FR)

T, U, V, W, X, Y, Z

TEINTE 20 (FR)
 TEMP COULEU 20 (FR)
 TRAPEZE NUMER 26 (FR)
 Télécommande
 emplacement et fonction des
 commandes 11 (FR)
 installation des piles 12 (FR)

ADVERTENCIA

Para evitar el riesgo de incendios o electrocución, no exponga la unidad a la lluvia ni a la humedad.

Para evitar descargas eléctricas, no abra el aparato. Solicite asistencia técnica únicamente a personal especializado.

Para los usuarios en Europa

Este producto con la marca CE cumple con las Directivas EMC (89/336/CEE) y de Baja Tensión (73/23/CEE) emitidas por la Comisión de la Comunidad Europea.

El cumplimiento de estas directivas implica la conformidad con los siguientes estándares europeos:

- EN60950: Producto seguro
- EN55103-1: Interferencias electromagnéticas (Emisión)
- EN55103-2: Susceptibilidad electromagnética (Inmunidad)

Este producto está destinado a emplearse en los siguientes entornos electromagnéticos:

E1 (residenciales), E2 (comerciales e industria ligera), E3 (en exteriores urbanos) y E4 (entornos con control EMC, por ejemplo, estudios de TV).

La toma mural debe estar instalada cerca del equipo y debe accederse a ésta con facilidad.

Advertencia sobre la conexión de alimentación

Utilice un cable de alimentación apropiado para el suministro de alimentación local.

	Estados Unidos, Canadá		Europa continental		Reino Unido, Irlanda, Australia, Nueva Zelanda	Japón
Tipo de enchufe	VM0233	290B	YP-12A	COX-07	— ¹⁾	VM1296
Extremo hembra	VM0089	386A	YC-13B	COX-02	VM0310B	VM10505
Tipo de cable	SJT	SJT	H05VV-F	H05VV-F	N13237/CO-228	HVCTF
Corriente y tensión nominal	10A/125V	10A/125V	10A/250V	10A/250V	10A/250V	13A/125V
Homologación de seguridad	UL/CSA	UL/CSA	VDE	VDE	VDE	DENTORI

1) Utilice el enchufe apropiado para su país.

Índice

Descripción general

Precauciones	5 (ES)
Características	6 (ES)
Ubicación y función de los controles	7 (ES)
Lateral frontal/izquierdo	7 (ES)
Lateral posterior/derecho/base	7 (ES)
Panel de control	9 (ES)
Panel de conectores	10 (ES)
Mando a distancia	11 (ES)

Instalación y proyección

Instalación del proyector	12 (ES)
Conexión	13 (ES)
Conexión con una videgrabadora/equipo RGB de 15k/ componente/componente progresivo	13 (ES)
Conexión con un ordenador	14 (ES)
Selección del idioma del menú	15 (ES)
Proyección	16 (ES)

Realización de ajustes mediante el menú

Uso del MENU	19 (ES)
Menú CTRL IMAGEN	20 (ES)
Menú AJUS ENTRAD	21 (ES)
Menú AJUSTE	25 (ES)
Menú AJUSTE INST	26 (ES)

Instalación

Ejemplos de instalación	27 (ES)
Instalación en el suelo	27 (ES)
Instalación en el techo	28 (ES)
Notas para la instalación	30 (ES)
Instalación inadecuada	30 (ES)
Condiciones de uso inadecuadas	30 (ES)

Mantenimiento

Mantenimiento	32 (ES)
Sustitución de la lámpara	32 (ES)
Sustitución del filtro de aire	33 (ES)
Solución de problemas	34 (ES)

Otros

Especificaciones	36 (ES)
Índice alfabético	40 (ES)

Precauciones



Seguridad

- Compruebe que la tensión de funcionamiento de la unidad sea la misma que la del suministro eléctrico local.
- Si se introduce algún objeto sólido o líquido en la unidad, desenchúfela y haga que sea revisada por personal especializado antes de volver a utilizarla.
- Desenchufe la unidad de la toma mural cuando no vaya a utilizarla durante varios días.
- Para desconectar el cable, tire del enchufe. Nunca tire del propio cable.
- La toma mural debe encontrarse cerca de la unidad y ser de fácil acceso.
- La unidad no estará desconectada de la fuente de alimentación de CA (toma de corriente) mientras esté conectada a la toma mural, aunque haya apagado la propia unidad.
- No mire al objetivo mientras la lámpara esté encendida.
- No coloque la mano ni objetos cerca de los orificios de ventilación, ya que el aire que sale es caliente.
- Tenga cuidado de no pillarse los dedos con el ajustador cuando levante el proyector. No ejerza excesiva presión sobre la parte superior del proyector con el ajustador fuera.

Iluminación

- Con el fin de obtener imágenes con la mejor calidad posible, la parte frontal de la pantalla no debe exponerse a la luz solar ni a iluminaciones directas.
- Se recomienda instalar un foco en el techo. Cubra las lámparas fluorescentes para evitar la disminución de la relación de contraste.
- Cubra con tela opaca las ventanas que estén orientadas hacia la pantalla.
- Es recomendable instalar el proyector en una sala cuyo suelo y paredes no se compongan de materiales que reflejen la luz. Si el suelo y las paredes se componen de dicho tipo de material, se recomienda cambiar el color de éstos por uno oscuro.

Prevención del calentamiento interno

Después de desactivar la alimentación con la tecla  del mando a distancia o la tecla  del panel de control, no desconecte la unidad de la toma mural mientras el ventilador de enfriamiento se encuentre en funcionamiento.

Precaución

El proyector está equipado con orificios de ventilación de aspiración en la base y de exhaustación en la parte frontal. No bloquee dichos orificios ni coloque nada cerca de ellos, ya que si lo hace puede producirse recalentamiento interno, causando el deterioro de la imagen o daños al proyector.

Limpieza

- Para mantener el exterior como nuevo, límpielo periódicamente con un paño suave. Las manchas persistentes pueden eliminarse con un paño ligeramente humedecido en una solución detergente poco concentrada. No utilice nunca disolventes concentrados, como diluyente, bencina o limpiadores abrasivos, ya que dañarán el exterior.
- Evite tocar el objetivo. Utilice un paño seco y suave para eliminar el polvo del objetivo. No utilice un paño húmedo, soluciones detergentes ni diluyentes.
- Sustituya el filtro de aire cada 500 horas.

Embalaje

Guarde la caja y los materiales de embalaje originales, ya que resultarán útiles cuando tenga que embalar la unidad. Para obtener una máxima protección, vuelva a embalar la unidad cómo fue embalada originalmente en fábrica.

Proyector LCD

El proyector LCD está fabricado con tecnología de alta precisión. No obstante, es posible que aparezcan continuamente pequeños puntos negros y/o brillantes (rojos, azules o verdes) en dicho proyector. Se trata de un resultado normal del proceso de fabricación y no indica ningún fallo de funcionamiento.

Características

Alto brillo y alta calidad de imagen

• Nuevo panel LCD amplio

El nuevo panel LCD amplio de alta resolución (1366 × 768 puntos) proporciona una uniformidad mayor, reducción de imágenes fantasma y una relación de contraste mejorada.

• Alto brillo – 1000 ANSI lumen

El panel LCD con su nueva lámpara UHP de 200W, unidad óptica y objetivo ofrece un alto brillo de 1000 ANSI lumen (proyección 16:9), permitiendo la visualización mejorada en el hogar.

• Imagen de alta calidad

Además del nuevo panel LCD amplio, el proyector dispone de varias funciones. Se incluyen las funciones DRC-MF (Multifunción de creación de realidad digital) (tecnología de imagen de alta calidad propiedad de Sony); Corrección gamma 3-D, que proporciona una excelente uniformidad; Modo Cine Negro, que reduce el nivel de negro en función del entorno de fuente/proyección de entrada; y separación YC 3-D/DNR (NTSC), que reproduce imágenes claras sin ruido.

Alta adaptabilidad en hogares

• Reducción de ruido

La abertura de exhaustación de la parte frontal está conectada a un ventilador interno y a un conducto de aire. Esto significa que la distancia del ventilador a la abertura de exhaustación es grande, reduciéndose así el ruido del ventilador en gran medida.

• Ajuste flexible

El objetivo de proyección dispone de enfoque de corta distancia (90 pulgadas con 2,9 m (9,5 pies) (16:9)). La función de corrección de distorsión trapezoidal digital permite proyectar con un amplio ángulo. El color blanco del proyector se adapta a cualquier color (techo, paredes, etc.).

Pantalla panorámica/DTV/Televisión de alta definición

• Pantalla panorámica

Este proyector utiliza un panel LCD con relación de aspecto 16:9, permitiendo emplear siete modos de pantalla (ZOOM, COMPLETO, SUBTITULO, ZOOM AMPLI, etc.) utilizando todos los píxeles del

panel (1366 × 768). Permite emplear el modo NORMAL DIRECTO y el COMPLETO DIRECTO como modo directo que reproduce imágenes nítidas con mapeado uno a uno.

• Televisión de alta definición, DVD, DTV

La imagen super precisa del proyector supera los 3,14 millones de píxeles. También es compatible con las señales de televisión de alta definición y DTV (TV digital) de próxima generación. En combinación con un sintonizador o con un decodificador MUSE (opcionales), es posible disfrutar de televisión de alta definición, DTV, LD de alta definición, etc.

Memoria de vídeo

El proyector dispone de una función de memoria de vídeo. El usuario puede almacenar hasta 6 ajustes (calidad de imagen, aspecto, temperatura del color, DRC-MF, etc.) en función de la fuente de entrada. Igualmente, el usuario puede recuperar directamente cualquier ajuste mediante el mando a distancia.

Compatibilidad Multiscan

• Convertidor de exploración incorporado

Este proyector dispone de un convertidor de exploración incorporado que convierte la señal de entrada a un valor dentro de 1366 × 768 píxeles.

• Señales de entrada

El proyector puede admitir las siguientes señales de vídeo: Compuestas, S vídeo, componente, componente progresivo, DTV (480i/p, 720p/1080i), HDTV, RGB de 15k, VGA, SVGA, XGA y SXGA.

• Compatible con seis sistemas de color

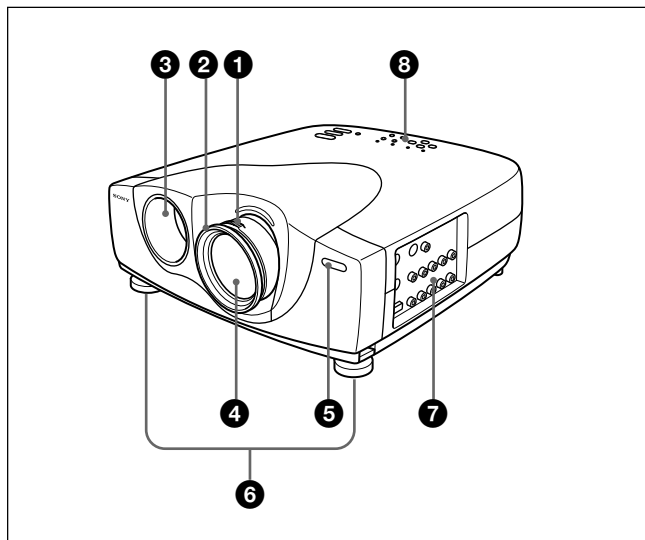
Es posible seleccionar automática o manualmente el sistema de color NTSC_{3.58}, PAL, SECAM, NTSC_{4.43}¹⁾, PAL-M o PAL-N.

- VGA, SVGA, XGA y SXGA son marcas comerciales registradas de International Business Machines Corporation, EE.UU.
- VESA es una marca comercial registrada de Video Electronics Standard Association.
- IBM y PC/AT son una marca comercial y una marca comercial registrada de International Business Machines Corporation, EE.UU.
- Macintosh es una marca registrada de Apple Computer, Inc.
- NEC es una marca comercial registrada de NEC Corporation.
- PC-98 es una marca comercial de NEC Corporation.

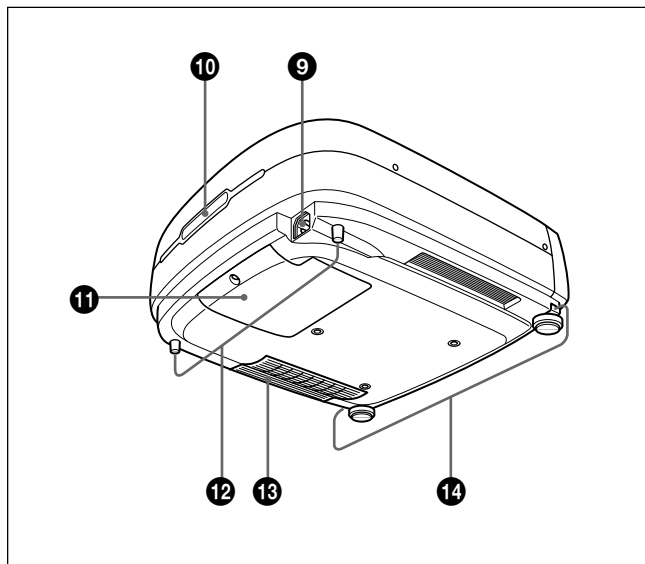
1) NTSC_{4.43} es el sistema de color utilizado para reproducir vídeos grabados en NTSC en una videogradora de sistema NTSC_{4.43}.

Ubicación y función de los controles

Lateral frontal/izquierdo



Lateral posterior/derecho/base



1 Anillo de zoom

Ajusta el tamaño de la imagen.

2 Anillo de enfoque

Ajusta el enfoque de la imagen.

3 Orificios de ventilación (exhaustación)

4 Objetivo

Retire la tapa del objetivo antes de realizar la proyección.

5 Detector frontal de control remoto (receptor SIRCS)

6 Ajustadores

Si alguna imagen se proyecta fuera de la pantalla, ajuste la imagen utilizando estos ajustadores.

Para obtener información detallada sobre cómo emplear los ajustadores, consulte "Cómo utilizar el ajustador" en la página 8 (ES).

7 Panel de conectores

Para obtener información detallada, consulte la página 10 (ES).

8 Panel de control

Para obtener información detallada, consulte "Panel de control" en la página 9 (ES).

9 Receptáculo AC IN

Conecta el cable de alimentación de CA suministrado.

10 Detector posterior de control remoto (receptor SIRCS)

11 Cubierta de la lámpara

12 Ajustadores posteriores

13 Orificios de ventilación (aspiración)/filtro de aire

Acerca de los orificios de ventilación

Notas

- No coloque nada cerca de los orificios de ventilación, ya que puede producirse recalentamiento interno. No acerque las manos a los orificios de ventilación, ya que podría quemarse.
- **Sustituya el filtro de aire cada 500 horas** para garantizar un nivel de rendimiento óptimo. Este filtro de aire no puede limpiarse.

Para obtener información detallada, consulte "Sustitución del filtro de aire" en la página 33 (ES).

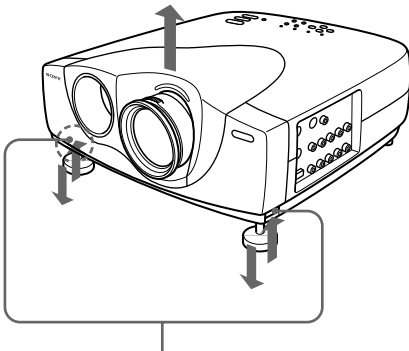
14 Botones de ajustador

Cómo utilizar el ajustador

Para ajustar la altura

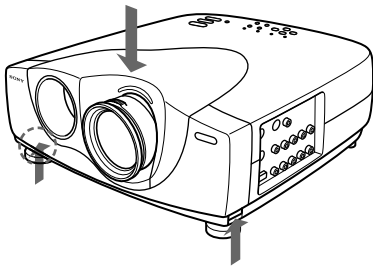
Ajuste la altura del proyector de la siguiente forma:

- 1 Levante el proyector y pulse los botones de ajustador. Los ajustadores se extenderán a partir del proyector.

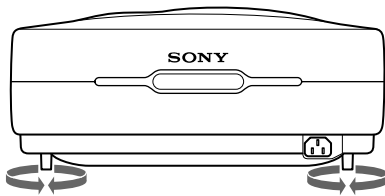


Botones de ajustador

- 2 Mientras pulsa los botones, baje el proyector. A continuación, deje de pulsar los botones. El ajustador se bloqueará, por lo que la altura del proyector se fijará. Para ajustar con precisión, gire los ajustadores a la derecha y la izquierda.



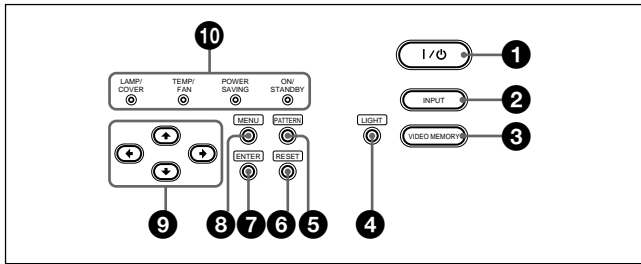
- 3 Si es necesario, gire los ajustadores posteriores hacia la derecha e izquierda para ajustar la altura del proyector.



Notas

- Tenga cuidado de que el proyector no se caiga sobre sus dedos.
- No ejerza excesiva presión sobre la parte superior del proyector con los ajustadores fuera.

Panel de control



1 Tecla I / ⏻ (encendido / espera)

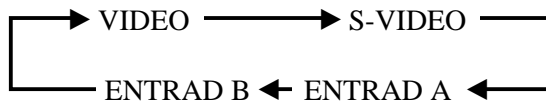
Enciende y apaga el proyector cuando éste se encuentra en el modo de espera. El indicador ON/STANDBY se iluminará en verde al activar la alimentación.

Para desactivar la alimentación, pulse la tecla I / ⏻ dos veces siguiendo el mensaje en pantalla, o pulse y mantenga pulsada la tecla durante un segundo aproximadamente.

Para obtener información detallada sobre los pasos para desactivar la alimentación, consulte "Para desactivar la alimentación" en la página 18 (ES).

2 Tecla INPUT

Selecciona la señal de entrada. Cada vez que pulse la tecla, la señal de entrada cambiará de la siguiente forma:



3 Tecla VIDEO MEMORY

Es posible ajustar la imagen previamente y almacenar el ajuste en la MEMORIA VIDEO 1 a 6. Es posible recuperar dicho ajuste pulsando esta tecla. Al pulsar esta tecla, se selecciona el número de memoria 1 a 6 y, a continuación, se inicia de nuevo con 1. Puede ajustar, cambiar y visualizar la imagen fácilmente en el parámetro adecuado.

Para obtener información detallada sobre cómo ajustar la memoria de video, consulte MEMORIA VIDEO del menú AJUS ENTRAD en la página 23 (ES).

4 Tecla LIGHT

Si pulsa esta tecla mientras la alimentación está activada, las teclas del panel de control aparecerán en naranja.

Pulse de nuevo esta tecla para desactivar la iluminación.

La iluminación se desactivará automáticamente si no utiliza ninguna tecla durante 30 segundos.

5 Tecla PATTERN

Muestra el patrón de prueba en pantalla para realizar el ajuste de enfoque. Vuelva a pulsarla para que el patrón de prueba desaparezca.

6 Tecla RESET

Restaura el valor definido de fábrica de un elemento. Esta tecla funciona cuando el menú o un elemento de ajuste se muestra en pantalla.

7 Tecla ENTER

Introduce los ajustes de los elementos del sistema de menú.

8 Tecla MENU

Muestra el menú en pantalla. Vuelva a pulsarla para que el menú desaparezca.

9 Teclas de flecha (↑/↓/←/→)

Se utilizan para seleccionar el menú o para realizar diversos ajustes.

10 Indicadores

LAMP/COVER: Se ilumina o parpadea en las siguientes condiciones:

- Se ilumina cuando la lámpara llega al final de su duración o la lámpara no se enciende debido a la alta temperatura de la misma.
- Parpadea cuando la cubierta de la lámpara o el filtro de aire no está firmemente asegurada.

TEMP (Temperatura)/FAN: Se ilumina o parpadea en las siguientes condiciones:

- Se ilumina cuando la temperatura del interior del proyector es inusualmente alta.
- Parpadea cuando el ventilador está averiado.

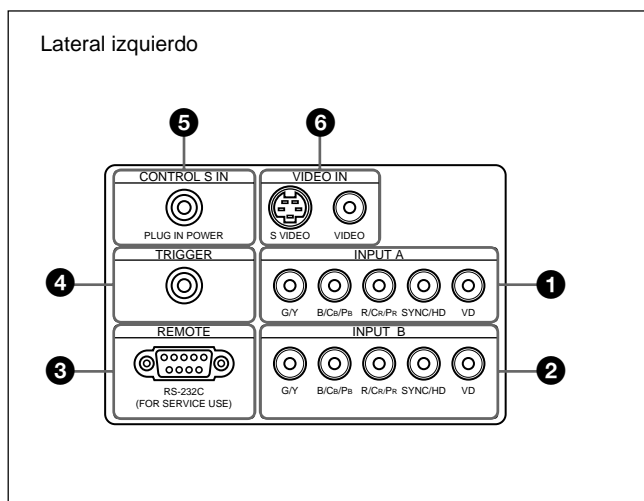
POWER SAVING: Se ilumina cuando el proyector se encuentra en el modo de ahorro de energía. Si AHORRO ENERGIA del menú AJUSTE está ajustado en SI, el proyector entrará en el modo de ahorro de energía si no se introduce ninguna señal o si no se utiliza ninguna tecla durante 10 minutos. Aunque la lámpara se apague, el ventilador de enfriamiento seguirá funcionando. En el modo de ahorro de energía, no funciona ninguna tecla durante los primeros 40 segundos. Dicho modo se cancelará al introducirse alguna señal o al pulsar cualquier tecla.

ON/STANDBY: Se ilumina o parpadea en las siguientes condiciones:

- Se ilumina en rojo al enchufar el cable de alimentación de CA en la toma mural. Una vez en el modo de espera, podrá encender el proyector con la tecla I / ⏻.
- Se ilumina en verde cuando la alimentación está activada.
- Parpadea en verde mientras el ventilador de enfriamiento funciona tras desactivar la alimentación con la tecla I / ⏻. El ventilador funciona durante unos 120 segundos tras desactivar la alimentación. El indicador ON/STANDBY parpadea rápidamente durante los primeros 40 segundos. Durante este espacio de tiempo, no es posible volver a activar la alimentación con la tecla I / ⏻.

Para obtener información detallada sobre los indicadores LAMP/COVER y TEMP/FAN, consulte la página 35 (ES).

Panel de conectores



1 Conectores INPUT A

Conectores G/Y, B/Cb/Pb, R/Cr/Pr, SYNC/HD, VD (tipo fonográfico):

Se conectan a la salida RGB del equipo.

Según el equipo conectado, se seleccionará la señal de ordenador, componente (Y/Cb/Cr), HDTV o DTV (DTV GBR, DTV YPBPr).

2 Conectores INPUT B

Conectores G/Y, B/Cb/Pb, R/Cr/Pr, SYNC/HD, VD (tipo fonográfico):

Se conectan a la salida RGB del equipo.

Según el equipo conectado, se seleccionará la señal de ordenador, componente (Y/Cb/Cr), HDTV o DTV (DTV GBR, DTV YPBPr).

3 Conector RS-232C (D-sub de 9 pines, hembra)

Se trata de un conector de servicio.

4 Conector TRIGGER (minitoma)

Envía la condición de encendido o de desactivado de la unidad al equipo externo.

Cuando la unidad está apagada, se envían 0 V, mientras que cuando está encendida, se envían 12 V. No obstante, puesto que la alimentación no se envía, no podrá utilizar el conector como fuente de alimentación.

5 Toma CONTROL S IN/PLUG IN POWER (salida de CC de 5V)

Se conecta a las tomas de salida de control S del equipo Sony.

Se conecta a la toma CONTROL S OUT del mando a distancia suministrado cuando se emplea con cable.

En este caso, no es preciso instalar las pilas en dicho mando, ya que esta toma suministra la alimentación. Si se utiliza este conector, el indicador de teclas del mando a distancia no se encenderá.

6 Tomas VIDEO IN

Conéctelas a un equipo externo de vídeo, como una videograbadora.

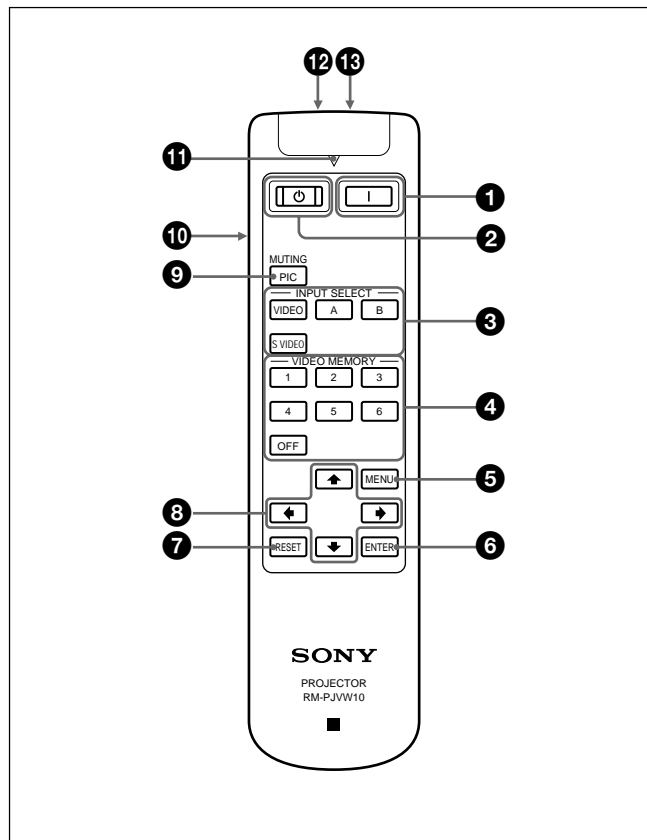
S VIDEO (mini DIN de 4 pines): Se conecta a la salida de S vídeo (salida de vídeo Y/C) de un equipo de vídeo.

VIDEO (tipo fonográfico): Se conecta a la salida de vídeo compuesta de un equipo de vídeo.

Mando a distancia

Las teclas que tienen los mismos nombres a las del panel de control funcionan de la misma forma. Es posible controlar el ordenador conectado mediante el mando a distancia.

Para obtener información detallada, consulte “Conexión con un ordenador” en la página 14 (ES).



1 Tecla I (encendido)

Pulse esta tecla para encender el proyector. (Se asume que dicho proyector se encuentra en el estado de espera.)

2 Tecla ⏻ (desactivado)

Pulse esta tecla para desactivar la alimentación inmediatamente.

3 Teclas INPUT SELECT

Seleccionan la señal de entrada.

VIDEO: Selecciona la señal del equipo conectado al conector VIDEO del proyector.

S VIDEO: Selecciona la señal del equipo conectado al conector S VIDEO del proyector.

A: Selecciona la señal de vídeo del equipo conectado a los conectores INPUT A.

B: Selecciona la señal de vídeo del equipo conectado a los conectores INPUT B.

4 Teclas VIDEO MEMORY

Es posible almacenar un ajuste de imagen en una de las teclas VIDEO MEMORY (1 – 6). Igualmente, es posible recuperar dicho ajuste directamente pulsando la tecla apropiada.

Para obtener información detallada sobre cómo ajustar la memoria de vídeo, consulte MEMORIA VIDEO del menú AJUS ENTRAD en la página 23 (ES).

5 Tecla MENU

6 Tecla ENTER

7 Tecla RESET

8 Teclas de flecha (↑/↓/←/→)

9 Tecla MUTING PIC

Desactiva la imagen. Vuelva a pulsarla para recuperar la imagen.

10 Interruptor LIGHT

Al pulsar este interruptor se activa la iluminación de las teclas del mando a distancia. Al volver a pulsarlo, dicha iluminación se desactiva. Si no se utiliza ninguna tecla, la iluminación se desactivará automáticamente transcurridos 30 segundos. Instale las dos pilas en el mando a distancia cuando utilice la iluminación de las teclas.

11 Indicador de transmisión

Se ilumina al pulsar alguna tecla del mando a distancia.

12 Toma CONTROL S OUT (minitoma estéreo)

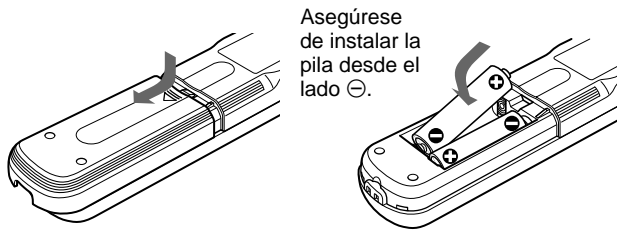
Se conecta a la toma CONTROL S IN del proyector con el cable de conexión (no suministrado) cuando se utiliza el mando a distancia con cable. En este caso, no es preciso instalar las pilas, ya que la alimentación se suministra mediante la toma CONTROL S IN del proyector.

Si no instala las pilas, la iluminación de las teclas del mando a distancia no se encenderá.

13 Transmisor infrarrojo

Instalación de las pilas

- Empuje y deslice la tapa para abrirla y, a continuación, instale las dos pilas de tamaño AA (R6) (suministradas) con la polaridad correcta.



- Vuelva a colocar la tapa.

Notas sobre las pilas

- Compruebe que la orientación de las pilas es correcta cuando las inserte.
- No mezcle pilas usadas con nuevas, ni diferentes tipos de pilas.
- Cuando no vaya a emplear el mando a distancia durante mucho tiempo, extraiga las pilas para evitar daños por fugas de las mismas. Si se producen fugas de las pilas, extráigalas, limpie y seque el compartimiento de las mismas y sustitúyalas por unas nuevas.

Notas sobre el empleo del mando a distancia

- Compruebe que nada obstruye el haz infrarrojo entre el mando a distancia y el detector de control remoto del proyector.
- El margen de operación es limitado. Cuanto menor sea la distancia entre el mando y el proyector, mayor será el ángulo de control del mando sobre el proyector.
- Instale las pilas para que se active la iluminación de las teclas al emplear el mando a distancia con cable.

Nota

Si el mando a distancia causa fallos de funcionamiento, consulte con personal especializado Sony. Dicho mando se sustituirá por otro nuevo en función de la garantía.

Instalación del proyector

En esta sección se describe cómo instalar el proyector.

Distancia entre la pantalla y el centro del objetivo

La distancia entre el objetivo y la pantalla varía en función del tamaño de ésta. Utilice la siguiente tabla como referencia.

Unidad: m (pies)

Tamaño de pantalla 16:9 (pulgadas)	40	60	80	100	120	150	200	300
Distancia mínima	1,3 (4,1)	1,9 (6,3)	2,6 (8,5)	3,3 (10,7)	3,9 (12,9)	4,9 (16,2)	6,6 (21,7)	9,9 (32,6)
Distancia máxima	1,5 (4,8)	2,2 (7,4)	3,0 (9,8)	3,8 (12,4)	4,6 (14,9)	5,7 (18,7)	7,6 (25,0)	11,5 (37,7)

Tamaño de pantalla 4:3 (pulgadas)	40	60	80	100	120	150	200	300
Distancia mínima	1,6 (5,1)	2,4 (7,8)	3,2 (10,5)	4,0 (13,2)	4,8 (15,9)	6,1 (19,9)	8,1 (26,6)	12,2 (40,0)
Distancia máxima	1,8 (6,0)	2,8 (9,1)	3,7 (12,3)	4,7 (15,4)	5,6 (18,3)	7,0 (23,0)	9,4 (30,8)	14,1 (46,2)

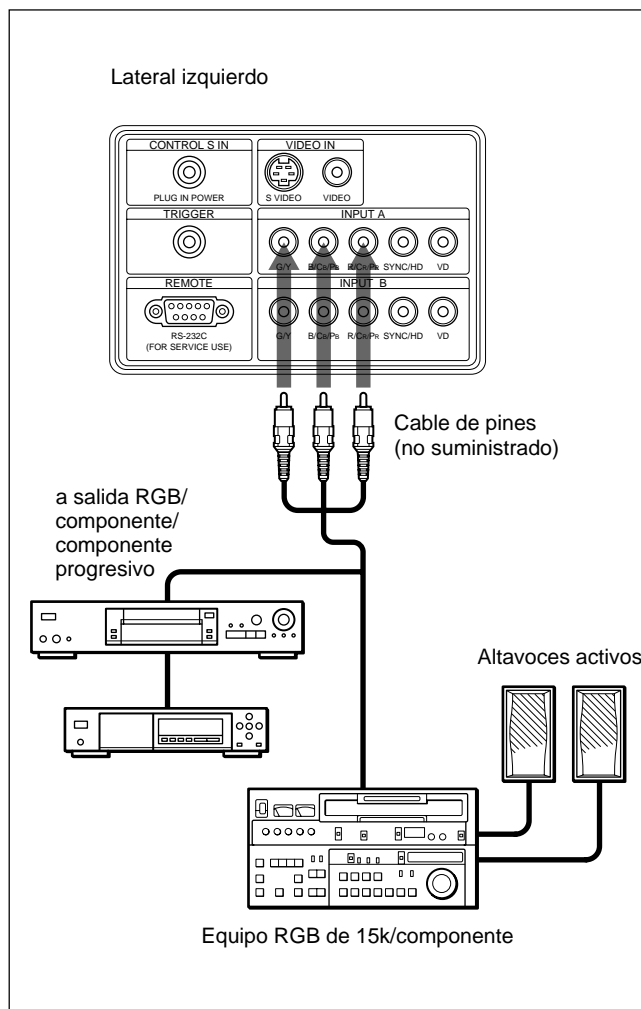
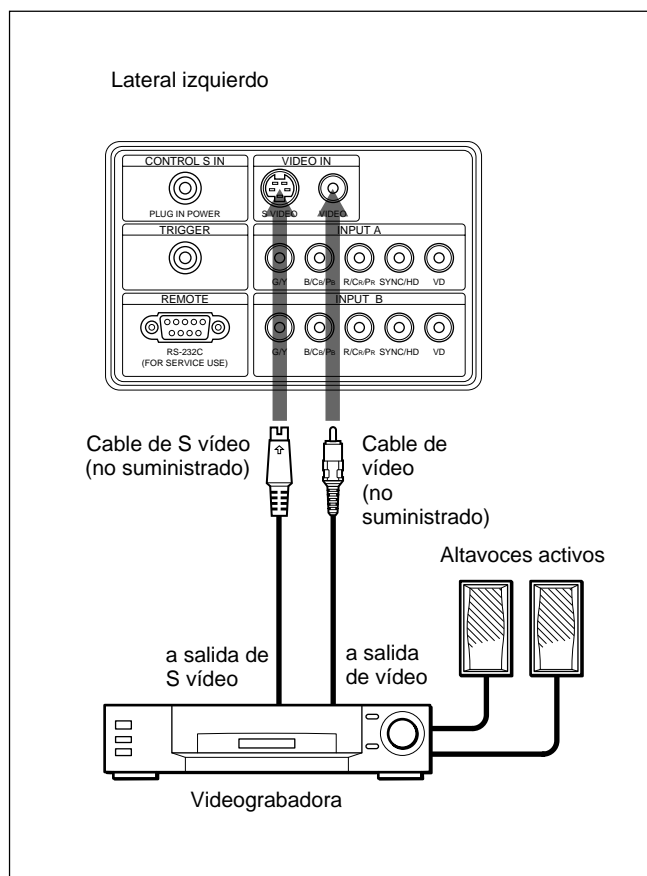
Conexión

Cuando realice las conexiones, asegúrese de:

- apagar todos los equipos antes de realizar cualquier conexión.
- utilizar los cables apropiados para cada conexión.
- insertar los enchufes de los cables adecuadamente. A menudo, los enchufes no insertados por completo producen ruido. Cuando desconecte un cable, asegúrese de tirar del enchufe, no del propio cable.

Conexión con una videgrabadora/ equipo RGB de 15k/componente/ componente progresivo

En esta sección se describe cómo conectar el proyector con una videgrabadora, altavoces activos externos y equipos RGB de 15k /componente/ componente progresivo. Consulte también los manuales de instrucciones de los equipos que vaya a conectar.



Notas

- Ajuste la relación de aspecto mediante ASPECTO del menú AJUS ENTRAD en función de la señal de entrada.
- Para conectar un equipo RGB de 15k/componente/ componente progresivo, seleccione ORDENADOR/ COMPONENTE/DTV YPBPR/DTV GBR en ENTRAD A o ENTRAD B del menú AJUSTE de acuerdo con la señal de entrada. *Para obtener información detallada sobre el ajuste, consulte la página 25 (ES).*
- Utilice la señal de sincronización compuesta cuando introduzca la señal de sincronización externa del equipo RGB de 15k/componente.
- Es posible conectar un equipo de alta definición. El método de conexión es el mismo que el mostrado anteriormente.

Conexión a HDTV 1035/60i

Defina el ajuste de entrada en “DTV YPBPR/DTV GBR”.

Utilice la señal de sincronización compuesta cuando introduzca la señal de sincronización externa.

Conexión con un ordenador

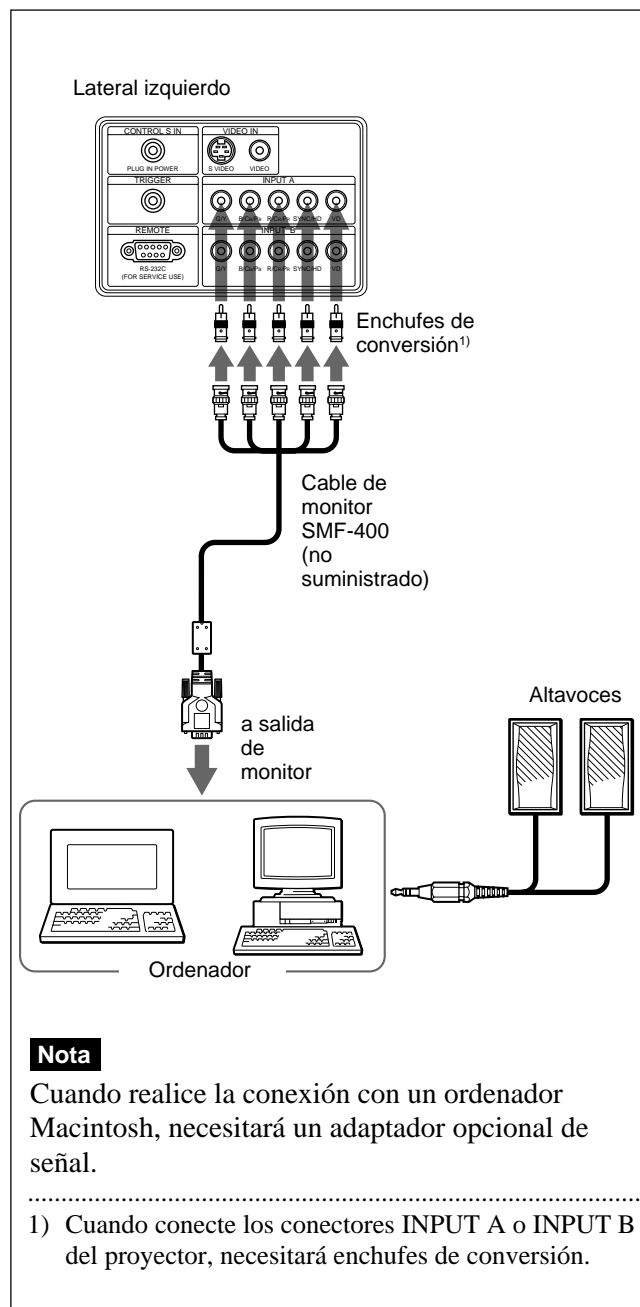
En esta sección se describe cómo conectar el proyector a un ordenador.

Seleccione “ORDENADOR” en ENTRAD A o ENTRAD B del menú AJUSTE.

Notas

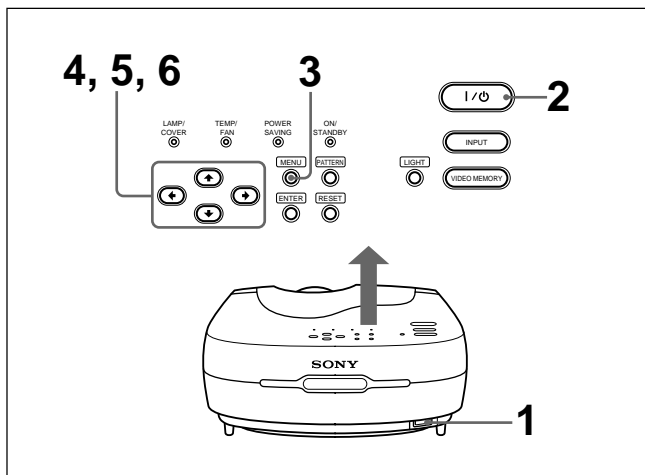
- Esta unidad acepta señales VGA, SVGA, XGA o SXGA. No obstante, se recomienda ajustar la señal de salida del ordenador en XGA.
- Si ajusta el ordenador, como por ejemplo uno portátil tipo IBM PC/AT compatible, para que envíe la señal a la pantalla del mismo y al monitor externo, la imagen de dicho monitor puede no aparecer correctamente. En tal caso, defina el modo de salida del ordenador para que envíe la señal solamente al monitor externo.
Para obtener información detallada, consulte el manual de instrucciones suministrado con el ordenador.
- Conecte todos los cables de conexión al conector INPUT A cuando introduzca una señal del conector INPUT A. Conecte todos los cables de conexión al conector INPUT B cuando introduzca también una señal del conector INPUT B.

Cuando conecte un ordenador

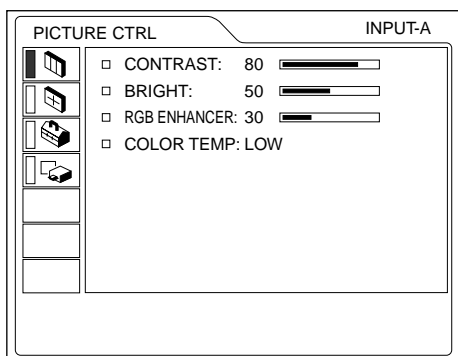


Selección del idioma del menú

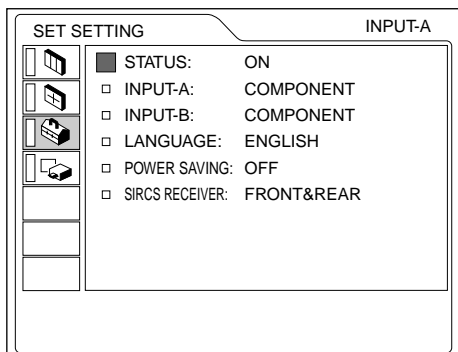
Es posible seleccionar el idioma para el menú y demás indicaciones en pantalla. El ajuste de fábrica es ENGLISH (inglés).



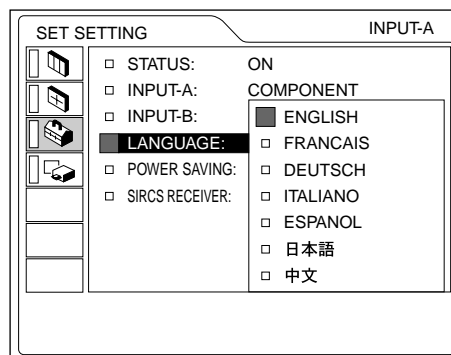
- 1 Enchufe el cable de alimentación de CA en la toma mural.
- 2 Pulse la tecla I / ⏻ para activar la alimentación.
- 3 Pulse la tecla MENU.
Aparecerá el menú.



- 4 Seleccione el icono del menú SET SETTING (AJUSTE) el tercero mediante la tecla ↑ o ↓ y, a continuación, pulse la tecla → o ENTER.
Aparecerá el menú SET SETTING.



- 5 Seleccione "LANGUAGE" (IDIOMA) con la tecla ↑ o ↓ y, a continuación, pulse la tecla → o ENTER.



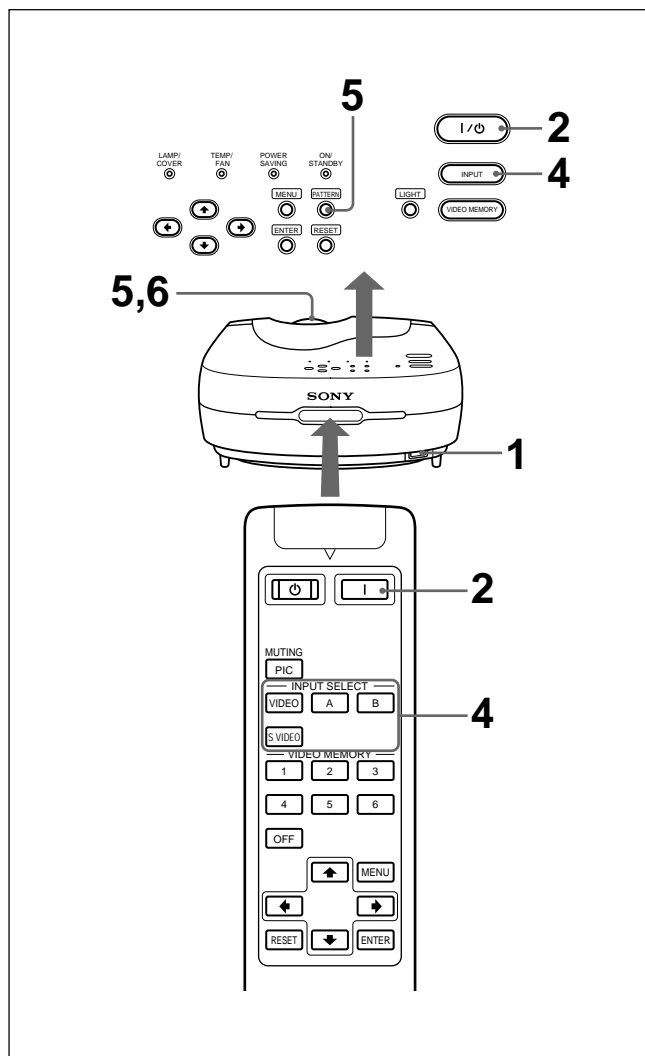
- 6 Seleccione el idioma que desee con la tecla ↑ o ↓ y, a continuación, pulse la tecla ← o ENTER.
El menú aparecerá en el idioma seleccionado.

Para que el menú desaparezca

Pulse la tecla MENU.


El menú desaparecerá automáticamente si no pulsa ninguna tecla durante un minuto.

Proyección



1 Una vez conectados todos los equipos por completo, enchufe el cable de alimentación de CA en la toma mural.

El indicador ON/STANDBY se iluminará en rojo y el proyector entrará en el modo de espera.

2 Pulse la tecla I /  del panel de control o la tecla I del mando a distancia.

El indicador ON/STANDBY se iluminará en verde.

3 Encienda el equipo conectado al proyector.

4 Pulse la tecla INPUT para seleccionar la fuente de entrada.

ENTRAD A: Selecciona la entrada de señal de vídeo del conector INPUT A, como un equipo componente.

ENTRAD B: Selecciona la entrada de señal de vídeo del conector INPUT B, como un equipo componente.

VIDEO: Selecciona la entrada de señal de vídeo de la toma VIDEO (VIDEO IN).

S-VIDEO: Selecciona la entrada de señal de vídeo de la toma S VIDEO (VIDEO IN).

5 Pulse la tecla PATTERN del panel de control para que aparezca el patrón de prueba, y gire el anillo de enfoque para ajustar el enfoque. Vuelva a pulsar la tecla PATTERN para que el patrón desaparezca.

6 Gire el anillo de zoom para ajustar el tamaño de la imagen.

Nota

Si mira al objetivo mientras proyecta, puede dañarse los ojos.

Para	Pulse
Desactivar la imagen	la tecla MUTING PIC del mando a distancia. Para recuperar la imagen, pulse la tecla MUTING PIC de nuevo.

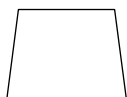
Para corregir el trapecoide

Si la imagen proyectada presenta distorsión trapecoidal, cambie la posición/altura del proyector moviendo el ajustador.

Para obtener información detallada sobre “Cómo utilizar el ajustador”, consulte la página 8 (ES).

Si la imagen sigue apareciendo con distorsión trapecoidal, corrija en DIST TRAP DIG en el menú AJUSTE INST.

Si la longitud del borde inferior es mayor que la del superior como se muestra en la siguiente figura:



Ajuste el valor en negativo.

Si la longitud del borde superior es mayor que la del inferior como se muestra en la siguiente figura:



Ajuste el valor en positivo.

Nota

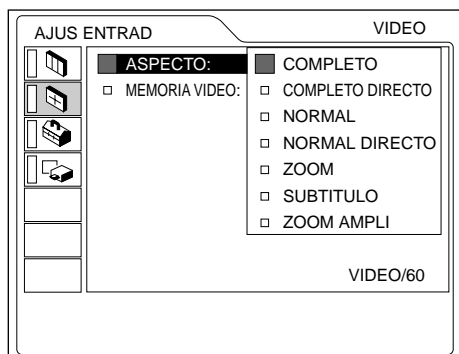
Si ha seleccionado “ZOOM”, “COMPLETO” o “NORMAL” en ASPECTO del menú AJUS ENTRAD, podrá cambiar el trapecoide.

Para obtener información detallada sobre “DIST TRAP DIG”, consulte la página 26 (ES).

Cambio del aspecto

Es posible cambiar el aspecto según la señal de vídeo. Para obtener información detallada sobre el empleo de la pantalla de menú, consulte “Uso del MENU” en la página 19 (ES).

- 1 Pulse la tecla MENU para que aparezca el menú.
- 2 Pulse la tecla **↑** o **↓** para seleccionar el menú AJUS ENTRAD y, a continuación, pulse la tecla **→** o ENTER.
- 3 Pulse la tecla **↑** o **↓** para seleccionar ASPECTO y, a continuación, pulse la tecla **→** o ENTER.



4 Realice ajustes en el elemento.

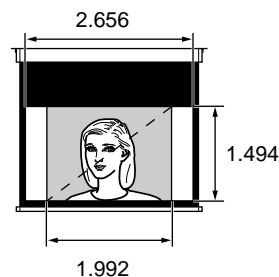
Para obtener información detallada sobre el ajuste de determinados elementos, consulte la página 22 (ES).

Tamaño de imagen para el tamaño de pantalla

Consulte lo siguiente para seleccionar el aspecto.

Si la imagen 4:3 se muestra en la pantalla 16:9

Ejemplo: Se emplea la pantalla de 120 pulgadas.

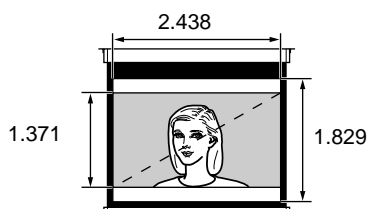


Se muestra la imagen de 98 pulgadas.

Tamaño (Pulgadas)	Pantalla 16:9	Imagen 4:3	Tamaño (Pulgadas)
	Unidad (mm)	Unidad (mm)	
90			73
110			90
120			98

Si la imagen 16:9 se muestra en la pantalla 4:3

Ejemplo: Se emplea la pantalla de 120 pulgadas.



Se muestra la imagen de 110 pulgadas.

Pantalla 4:3		Imagen 16:9	
Tamaño (Pulgadas)	Unidad (mm)	Unidad (mm)	Tamaño (Pulgadas)
80			73
100			91
120			110

Notas sobre el cambio del aspecto

Este proyector proporciona varias opciones de aspectos. Cuando cambie el aspecto, compruebe lo siguiente:

- Seleccione el aspecto teniendo en cuenta que uno que cambie la relación de aspecto de la imagen original ofrecerá un aspecto diferente al de dicha imagen.
- Tenga en cuenta también que si el proyector se utiliza para obtener beneficios económicos o para visualización pública, la modificación de la imagen original cambiando aspectos puede constituir una violación de los derechos de autor o productor protegidos legalmente por la ley.

Para desactivar la alimentación

Para desactivar la alimentación mediante el panel de control.

- 1 Pulse la tecla I / del panel de control.
“DESACTIVAR?” aparecerá en pantalla.

Nota

El mensaje desaparecerá si pulsa cualquier tecla, excepto I / , o si no pulsa ninguna tecla durante cinco segundos.

- 2 Pulse la tecla I / .

El indicador ON/STANDBY parpadeará en verde y el ventilador seguirá funcionando durante unos 120 segundos para reducir el calentamiento interno. Igualmente, el indicador ON/STANDBY parpadeará rápidamente durante los primeros 40 segundos. Durante este espacio de tiempo, no podrá volver a activar la alimentación con la tecla I / .

- 3 Desenchufe el cable de alimentación de CA de la toma mural cuando el ventilador deje de funcionar y el indicador ON/STANDBY se ilumine en rojo.

Si no puede confirmar el mensaje en pantalla

Si no puede confirmar el mensaje en pantalla en una determinada condición, puede desactivar la alimentación manteniendo pulsada la tecla I / durante un segundo aproximadamente.

Para desactivar la alimentación mediante el mando a distancia.

- 1 Pulse la tecla del mando a distancia.
- 2 Desenchufe el cable de alimentación de CA de la toma mural cuando el ventilador deje de funcionar y el indicador ON/STANDBY se ilumine en rojo.

Nota

No desenchufe el cable de alimentación de CA mientras el ventilador esté funcionando; si lo hace, éste se detendrá aunque el calentamiento interno sea aún alto, causando averías en el proyector.

Acerca de la sustitución del filtro de aire

Sustituya el filtro de aire cada 500 horas para garantizar un nivel de rendimiento óptimo. Este filtro de aire no puede limpiarse.

Uso del MENU

El proyector dispone de un menú en pantalla que permite realizar diversos ajustes.

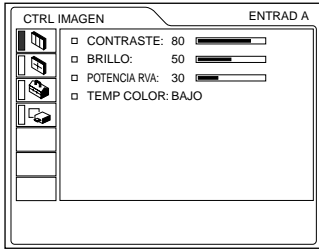
Puede seleccionar el idioma para el menú.

Para obtener información detallada sobre la selección del idioma empleado en el menú, consulte la página 15 (ES).

1 Pulse la tecla MENU.

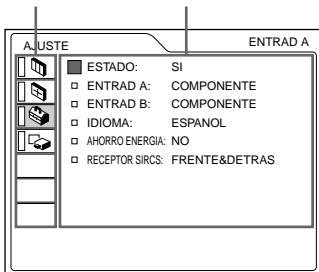
Aparecerá el menú.

El menú actualmente seleccionado se muestra como un botón amarillo.



2 Utilice la tecla ↑ o ↓ para seleccionar un menú y, a continuación, pulse la tecla → o ENTER. Aparecerá el menú seleccionado.

Menús Elementos de ajuste



3 Seleccione un elemento.

Utilice la tecla ↑ o ↓ para seleccionar el elemento y, a continuación, pulse la tecla → o ENTER.

4 Ajuste el elemento.

- Al cambiar el nivel de ajuste:

Para que el número aumente, pulse la tecla ↑ o →.

Para que el número disminuya, pulse la tecla ↓ o ←.

Pulse la tecla ENTER para recuperar la pantalla original.

- Al cambiar el ajuste:

Pulse la tecla ↑ o ↓ para cambiar el ajuste.

Pulse la tecla ENTER o ← para recuperar la pantalla original.

Para obtener información detallada sobre el ajuste de determinados elementos, consulte las páginas de los menús correspondientes.

Para que el menú desaparezca

Pulse la tecla MENU.

El menú desaparecerá automáticamente si no pulsa ninguna tecla durante un minuto.

Para reajustar elementos ajustados

Pulse la tecla RESET.

“Completado!” aparecerá en pantalla y los ajustes mostrados en ésta recuperarán los valores de fábrica.

Los elementos que pueden reajustarse son:

- “CONTRASTE”, “BRILLO”, “COLOR”, “TONALIDAD”, “NITIDEZ” y “POTENCIA RVA” del menú CTRL IMAGEN.
- “FASE PUNTO”, “TAMANO H” y “DESPLAZ” del menú AJUS ENTRAD.

Acerca de la memoria de los ajustes

Los ajustes se almacenan automáticamente en la memoria del proyector.

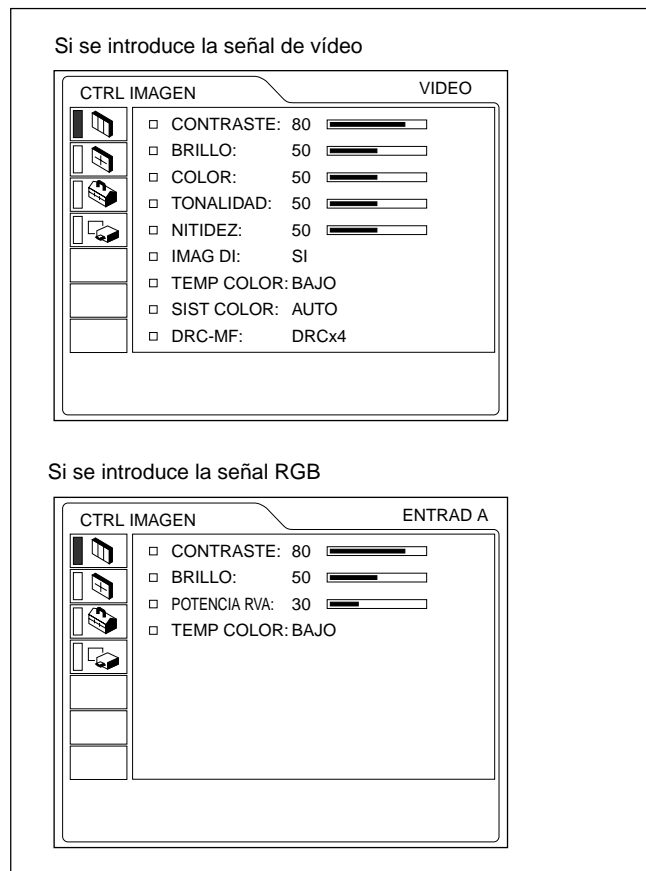
Si no se introduce ninguna señal

Si no se introduce ninguna señal, la pantalla mostrará “SIN ENTRADA-Imposible ajustar este parametro.”, y no será posible ajustar los elementos.

Menú CTRL IMAGEN

El menú CTRL (control) IMAGEN se utiliza para ajustar la imagen.

Los elementos que no pueden ajustarse dependiendo de la señal de entrada no aparecen en el menú.



CONTRASTE

Ajusta el contraste de la imagen.

Cuanto mayor sea el ajuste, mayor será el contraste.

Cuanto menor sea el ajuste, menor será el contraste.

BRILLO

Ajusta el brillo de la imagen.

Cuanto mayor sea el ajuste, mayor será el brillo de la imagen.

Cuanto menor sea el ajuste, menor será el brillo de la imagen.

COLOR

Ajusta la intensidad del color.

Cuanto mayor sea el ajuste, mayor será la intensidad.

Cuanto menor sea el ajuste, menor será la intensidad.

TONALIDAD

Ajusta los tonos del color.

Cuanto mayor sea el ajuste, la imagen adquirirá un tono verdoso.

Cuanto menor sea el ajuste, la imagen adquirirá un tono púrpura.

NITIDEZ

Ajusta la nitidez de la imagen.

Cuanto mayor sea el ajuste, mayor será la nitidez de la imagen.

Cuanto menor sea el ajuste, más suavidad presentará la imagen.

POTENCIA RVA

Ajusta la nitidez de la imagen cuando se introducen las señales de ordenador.

Cuanto mayor sea el ajuste, mayor será la nitidez de la imagen.

Cuanto menor sea el ajuste, más suavidad presentará la imagen.

IMAG DI (Dinámica)

Enfatiza el color negro.

SI: Enfatiza el color negro para producir imágenes “dinámicas” más marcadas.

NO: Reproduce las partes oscuras de la imagen con precisión, de acuerdo con la señal fuente.

TEMP COLOR

Ajusta la temperatura del color.

ALTO: El color blanco adquiere un tono azulado.

BAJO: El color blanco adquiere un tono rojizo.

SIST (Sistema) COLOR

Selecciona el sistema de color de la señal de entrada.

AUTO: Selecciona automáticamente una de las siguientes señales: NTSC_{3.58}, PAL, SECAM, NTSC_{4.43}.

PAL-M/N: Selecciona automáticamente una de las siguientes señales: PAL-M/PAL-N, NTSC_{3.58}.

Normalmente, ajústelo en AUTO.

Si la imagen se distorsiona o aparece sin color, seleccione el sistema de color de acuerdo con la señal de entrada.

DRC-MF

Suaviza imágenes de vídeo de gran tamaño.

DRC × 4: Duplica el número de las líneas de exploración de la señal de vídeo y el número de píxeles horizontales, obteniéndose una calidad de imagen cuádruple.

DRC PROGRESIVO: Muestra una línea o caracteres nítidos sin parpadeo de línea.

Señales de entrada y elementos ajustables/de ajuste

Elemento	Señal de entrada				
	Vídeo o S video (Y/C)	Componente/ RGB de 15k	Componente Progresivo/ HDTV/ DTV	RGB ¹⁾	B&W
CONTRASTE	●	●	●	●	●
BRILLO	●	●	●	●	●
COLOR	●	●	●	–	–
TONALIDAD	● (Sólo NTSC3.58/ 4.43)	●	●	–	–
NITIDEZ	●	●	●	–	●
POTENCIA RVA	–	–	–	●	–
IMAG DI	●	●	–	–	●
TEMP COLOR	●	●	●	●	●
SIST COLOR	●	–	–	–	●
DRC-MF	●	●	–	–	●

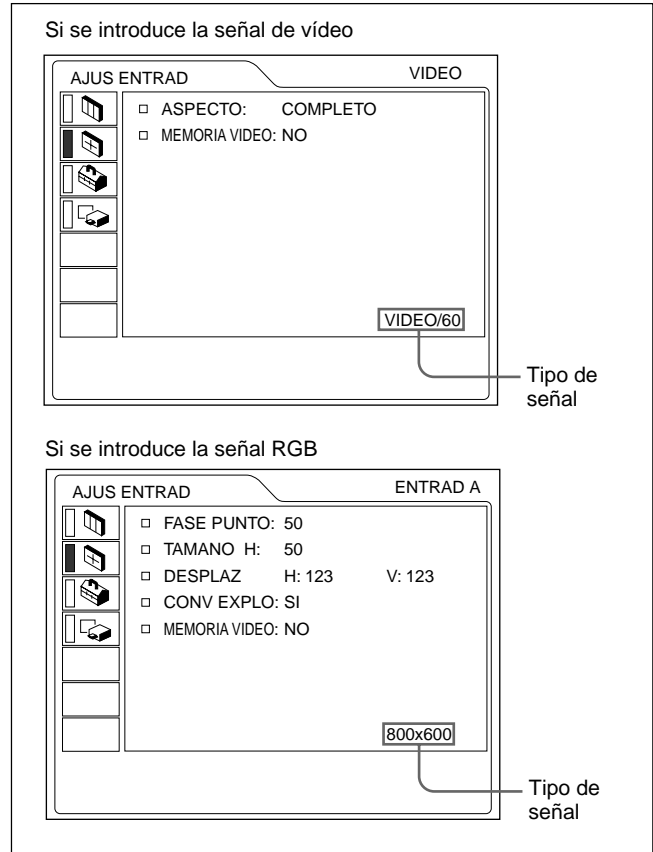
● : Ajustable/puede ajustarse

– : No ajustable/no puede ajustarse

Menú AJUS ENTRAD

El menú AJUS ENTRAD se utiliza para ajustar la señal de entrada.

Los elementos que no pueden ajustarse dependiendo de la señal de entrada no aparecen en el menú.



FASE PUNTO

Ajusta la fase de los puntos LCD y la señal de entrada de ordenador del conector INPUT A/B.

Ajuste la imagen en la posición en la que aparezca con mayor nitidez.

TAMANO H

Ajusta el tamaño horizontal de la imagen introducida mediante el conector INPUT A/B.

Cuando más alto sea el ajuste, mayor será el tamaño horizontal de la imagen. Cuando más bajo sea el ajuste, menor será el tamaño horizontal de la imagen. Ajuste el valor en función de los puntos de la señal de entrada. Para más información sobre el valor adecuado para las señales predefinidas, consulte la página 24 (ES).

1) Señales RGB de un ordenador

DESPLAZ

Ajusta la posición de la imagen introducida mediante los conectores INPUT A/B.

H ajusta la posición horizontal de la imagen.

V ajusta la posición vertical de la imagen.

Al aumentar el ajuste de H, la imagen se desplazará a la derecha, y al disminuir, se desplazará a la izquierda.

Al aumentar el ajuste de V, la imagen se desplazará hacia arriba, y al disminuir, se desplazará hacia abajo.

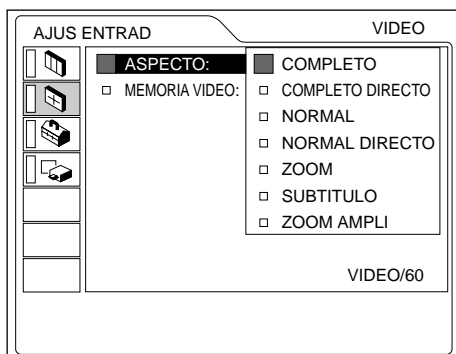
Emplee la tecla ← o → para ajustar la posición horizontal y la tecla ↑ y ↓ para la posición vertical.

ASPECTO

Define el siguiente ajuste de aspecto:

4:3 NORMAL, NORMAL DIRECTO

16:9 COMPLETO, COMPLETO DIRECTO,
ZOOM, SUBTITULO, ZOOM AMPLI



COMPLETO: La imagen comprimida 16:9 aparece con el aspecto correcto. La imagen 4:3 se amplía horizontalmente.



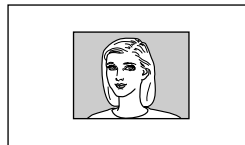
COMPLETO DIRECTO: El mapeado uno a uno se realiza en una imagen 16:9 comprimida. La imagen aparece en el centro de la pantalla.



NORMAL: Aparece la imagen con relación normal 4:3.



NORMAL DIRECTO: El mapeado uno a uno se realiza en la imagen con relación normal 4:3. La imagen aparece en el centro de la pantalla.



ZOOM: La imagen con relación normal 4:3 se amplía vertical y horizontalmente (con la misma relación) en el tamaño de la pantalla. Este modo es ideal para capturar las escenas a toda pantalla de películas con formato panorámico.



SUBTITULO: El área de subtítulos se comprime. Este modo sitúa los subtítulos en la parte inferior de la pantalla.



ZOOM AMPLI: La imagen con relación normal 4:3 se amplía y las partes superior e inferior de la imagen se comprimen. Resulta ideal para programas en general, como noticiarios o espectáculos de variedades.



Nota

No es posible cambiar el modo de imagen mientras el proyector proyecta una imagen de alta definición o una señal DTV.

Estos elementos ajustables/no ajustables dependen del ajuste de aspecto

Elementos	DESPLAZAM V	AREA TITULO	DIST TRAP DIG
COMPLETO	–	–	●
COMPLETO DIRECTO	–	–	–
NORMAL	–	–	●
NORMAL DIRECTO	–	–	–
ZOOM	●	–	●
SUBTITULO	●	●	–
ZOOM AMPLI	–	–	–

● : Ajustable – : No ajustable

CONV EXPLO (Convertidor de exploración)

Convierte la señal para mostrar la imagen en función del tamaño de la pantalla.

SI: Aumenta la imagen de acuerdo con el aspecto de la pantalla. La imagen perderá cierta claridad.

NO: Muestra la imagen mientras hace coincidir un píxel de elemento de imagen de entrada con el del LCD. La imagen será nítida aunque su tamaño será menor.

Nota

Si se introduce la señal XGA o SXGA, este elemento no aparecerá.

DESPLAZAM V

Ajusta la posición vertical de la imagen.

El margen ajustable es de 0 a +7.

Al aumentar el ajuste, la imagen se desplazará hacia arriba, y al disminuir, se desplazará hacia abajo. Para recuperar la posición normal, pulse la tecla RESET.

AREA TITULO

Ajusta el área de subtítulos.

El margen ajustable es de 0 a +7.

Al aumentar el ajuste, el área de subtítulos será ancho, y al disminuir el ajuste, el área será estrecho. Para recuperar el área normal, pulse la tecla RESET.

Nota

Aunque el margen ajustable mostrado es de 0 a +7, es posible que el margen real quede limitado dependiendo del ajuste DESPLAZAM V.

MEMORIA VIDEO

Muestra el número de memoria de vídeo seleccionado. Hay 6 ajustes de memoria. Si selecciona NO, la imagen aparecerá de acuerdo con los ajustes almacenados en la memoria de cada canal.

Cómo ajustar la MEMORIA VIDEO

Con el mando a distancia

1 Pulse el número deseado (1 – 6) de las teclas VIDEO MEMORY.

El número de memoria seleccionado aparecerá en el menú.

2 En el menú apropiado, seleccione un elemento que desee ajustar y defina el valor con las teclas **↑**, **↓**, **←** o **→**.

3 Pulse la tecla **←** o ENTER.

El elemento (valor) ajustado se almacenará en el número de memoria seleccionado. Volverá a aparecer la pantalla anterior.

Con el panel de control

1 Seleccione un número de la MEMORIA VIDEO (1 – 6) pulsando la tecla VIDEO MEMORY.

(También puede ajustar la MEMORIA VIDEO con el menú.)

2 En el menú apropiado, seleccione un elemento que desee ajustar y defina el valor con las teclas **↑**, **↓**, **←** o **→**.

3 Pulse la tecla **←** o ENTER.

El elemento (valor) ajustado se almacenará en el número de memoria seleccionado. Volverá a aparecer la pantalla anterior.

Señales de entrada y elementos ajustables/de ajuste

Elemento	Señal de entrada				
	Vídeo o S vídeo (Y/C)	RGB de 15k/Componente progresivo	HDTV/DTV	RGB ¹⁾	B&W
FASE PUNTO	–	–	●	●	–
TAMANO H	–	●	●	●	–
DESPLAZ	–	●	●	●	–
ASPECTO	●	●	–	–	●
CONV EXPLO	–	–	–	● (sólo inferior a SVGA)	–
DESPLAZAM V	○	○	–	–	○
AREA TITULO	○	○	–	–	○
MEMORIA VIDEO	●	●	●	●	●

● : Ajustable/puede ajustarse

– : No ajustable/no puede ajustarse

○ : Elemento dependiente de la relación de aspecto

Acerca de la memoria predefinida

Este proyector dispone de 43 tipos de datos predefinidos de señales de entrada (memoria predefinida). Al introducirse la señal predefinida, este proyector detecta automáticamente el tipo de señal. Si la señal está registrada en la memoria predefinida, aparecerá la imagen adecuada en pantalla en función del tipo de señal. El tipo de señal de entrada aparece en el menú AJUS ENTRAD. Es posible ajustar los datos predefinidos mediante el menú AJUS ENTRAD.

Este proyector también dispone de 20 tipos de memorias de usuario para cada uno de ENTRAD A/B. Es posible registrar un nuevo tipo de señal que no esté predefinida. Al introducirse una señal no predefinida por primera vez, se almacenará el ajuste realizado mediante ENTRAD A/B en el menú AJUS ENTRAD. Si hay más de 20 memorias de usuario registradas para cada una de ENTRAD A/B, la memoria más reciente se almacenará automáticamente sobre la más antigua.

Señales predefinidas

Nº de memoria	Señal predefinida	fH (kHz)	fV (Hz)	Sincronización	TAMANO H	
1	Vídeo 60 Hz	15,734	59,940	H-neg V-neg	1572	
2	Vídeo 50 Hz	15,625	50,000	H-neg V-neg	1864	
3	RGB de 15k/Componente 60 Hz	15,734	59,940	S en V	1572	
4	RGB de 15k/Componente 50 Hz	15,625	50,000	S en V	1864	
5	HDTV	33,750	60,000	S en V	2200	
6	640 × 350	modo VGA 1	31,469	70,086	H-pos V-neg	800
7		VGA VESA 85 Hz	37,861	85,080	H-pos V-neg	832
8	640 × 400	PC-9801 Normal	24,823	56,416	H-neg V-neg	848
9		modo VGA 2	31,469	70,086	H-neg V-pos	800
10		VGA VESA 85 Hz	37,861	85,080	H-neg V-pos	832
11		640 × 480	modo VGA 3	31,469	59,940	H-neg V-neg
12		Macintosh 13"	35,000	66,667	S en V	864
13		VGA VESA 72 Hz	37,861	72,809	H-neg V-neg	832
14		VGA VESA 75 Hz	37,500	75,000	H-neg V-neg	840
15		VGA VESA 85 Hz	43,269	85,008	H-neg V-neg	832
16	800 × 600	SVGA VESA 56 Hz	35,156	56,250	H-pos V-pos	1024
17		SVGA VESA 60 Hz	37,879	60,317	H-pos V-pos	1056
18		SVGA VESA 72 Hz	48,077	72,188	H-pos V-pos	1040
19		SVGA VESA 75 Hz	46,875	75,000	H-pos V-pos	1056
20		SVGA VESA 85 Hz	53,674	85,061	H-pos V-pos	1048
21	832 × 624	Macintosh 16"	49,724	74,550	H-neg V-neg	1152
22	1024 × 768	XGA VESA 43 Hz	35,524	43,479	H-pos V-pos	1264
23		XGA VESA 60 Hz	48,363	60,004	H-neg V-neg	1344
24		XGA VESA 70 Hz	56,476	69,955	H-neg V-neg	1328
25		XGA VESA 75 Hz	60,023	75,029	H-pos V-pos	1312
26		XGA VESA 85 Hz	68,677	84,997	H-pos V-pos	1376
27						
28	1152 × 864	SXGA VESA 70 Hz	63,995	70,019	H-pos V-pos	1472
29		SXGA VESA 75 Hz	67,500	75,000	H-pos V-pos	1600
30		SXGA VESA 85 Hz	77,487	85,057	H-pos V-pos	1568
31	1152 × 900	Sunmicro LO	61,795	65,960	H-neg V-neg	1504
32		Sunmicro HI	71,713	76,047	C-neg	1472
33	1280 × 960	SXGA VESA 60 Hz	60,000	60,000	H-pos V-pos	1800
34		SXGA VESA 75 Hz	75,000	75,000	H-pos V-pos	1728
35	1280 × 1024	SXGA VESA 43 Hz	46,433	43,436	H-pos V-pos	1696
36		SXI-5	53,316	50,062	S en V	1680
37		SXGA VESA 60 Hz	63,974	60,013	H-pos V-pos	1696
38		SXGA VESA 75 Hz	79,976	75,025	H-pos V-pos	1688
39						
40						
41						
42						
43	480/60p	480/60p (Componente progresivo)	31,470	60,000	S en V	774
44	575/50p	575/50p (Componente progresivo)	31,250	50,000	S en V	920
45	1080/50i	1080/50i	28,130	50,000		2640
47	720/60p	720/60p	45,000	60,000		1650
48	720/50p	720/50p	37,500	50,000		1980
49	1080/48i	1080/48i	27,000	48,000		2750

1) Señales RGB de un ordenador

Después de recuperarse los datos de la memoria predefinida de las siguientes señales, puede emplear estos datos predefinidos ajustando TAMANO H. Realice ajustes de precisión ajustando DESPLAZ.

Señal	Nº de memoria	TAMANO H
Super Mac-2	23	1312
SGI-1	23	1320
Macintosh 19"	25	1328
Macintosh 21"	28	1456
Sony News	36	1708
PC-9821 1280 × 1024	36	1600
WS Sunmicro	37	1664

Nota

Una parte de la pantalla aparecerá en negro en función de la relación de aspecto de la señal de entrada.

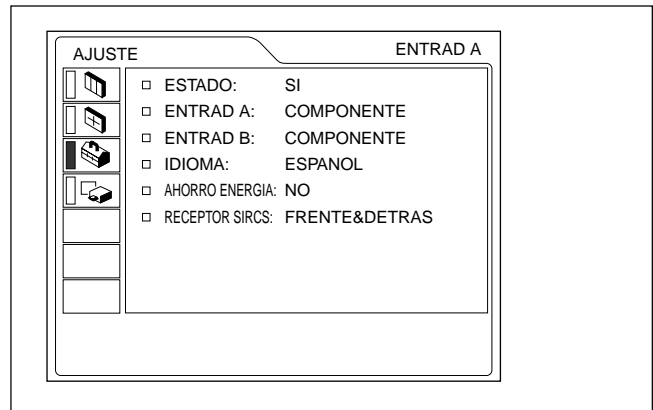
Elementos ajustables de la MEMORIA VIDEO

Los elementos que pueden ajustarse en la MEMORIA VIDEO son:

- “CONTRASTE”, “BRILLO”, “COLOR”, “TONALIDAD”, “NITIDEZ”, “POTENCIA RVA”, “IMAG DI”, “TEMP COLOR”, “SIST COLOR” y “DRC-MF” del menú CTRL IMAGEN.
- “ASPECTO”, “CONV EXPLO”, “DESPLAZAM V” y “AREA TITULO” del menú AJUS ENTRAD.

Menú AJUSTE

El menú AJUSTE se utiliza para cambiar los valores del proyector.



ESTADO (indicación en pantalla)

Ajusta la indicación en pantalla.

SI: Muestra todas las indicaciones en pantalla.

NO: Desactiva las indicaciones en pantalla, excepto los menús, el mensaje que aparece al desactivar la alimentación y los mensajes de aviso.

ENTRAD A

Selecciona la señal de ordenador, componente, DTV YPBPr o DTV GBR introducida mediante los conectores INPUT A.

Nota

Si el ajuste no es correcto, la pantalla mostrará “Compruebe ajuste ENTRAD A.” y el color de la imagen será extraño o ésta no aparecerá.

ENTRAD B

Selecciona la señal de ordenador, componente, DTV YPBPr o DTV GBR introducida mediante los conectores INPUT B.

Notas

- Si el ajuste no es correcto, la pantalla mostrará “Compruebe ajuste ENTRAD B.” y el color de la imagen será extraño o ésta no aparecerá.
- Ajuste la señal de componente progresivo (p.ej. DVD) en “COMPONENTE”, y la señal RGB de 15k (p.ej. dispositivos de juegos) en “ORDENADOR”.

IDIOMA

Selecciona el idioma empleado en el menú y en las indicaciones en pantalla.

Los idiomas disponibles son: inglés, francés, alemán, italiano, español, japonés y chino.

AHORRO ENERGIA

Si se ajusta en **SI**, el proyector entrará en el modo de ahorro de energía si no se introduce ninguna señal durante 10 minutos.

El modo de ahorro de energía se cancelará al introducirse alguna señal o al pulsar cualquier tecla.

RECEPTOR SIRCS

Selecciona los detectores de control remoto (receptor SIRCS) de las partes frontal y posterior del proyector.

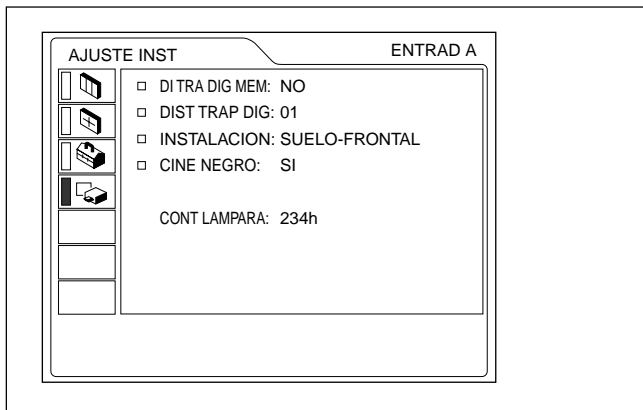
FRENTE&DETRAS: Activa los detectores frontal y posterior.

FRENTE: Activa el detector frontal solamente.

DETRAS: Activa el detector posterior solamente.

Menú AJUSTE INST

El menú AJUSTE INST se utiliza para cambiar los valores del proyector.



DI TRA DIG MEM

SI: Se almacena el ajuste DIST TRAP DIG.

Los datos se recuperan al activar la alimentación del proyector. El ajuste se conservará igual cada vez.

NO: DIST TRAP DIG se reajusta a 0 al activar la alimentación la próxima vez.

DIST TRAP DIG

Corrige la distorsión trapezoidal causada por el ángulo de proyección.

Si el borde inferior es más largo, defina un valor negativo; si el borde superior es más largo, defina un valor positivo para cuadrar la imagen.

Nota

Si ha seleccionado “ZOOM”, “COMPLETO” o “NORMAL” en ASPECTO del menú AJUS ENTRAD, podrá cambiar el trapecoide.

INSTALACION

Realiza el ajuste para invertir la imagen horizontal o verticalmente.

SUELO-FRONTAL: La imagen no se invierte.

TECHO-FRONTAL: La imagen se invierte horizontal y verticalmente.

SUELO-DETRAS: La imagen se invierte horizontalmente.

TECHO-DETRAS: La imagen se invierte verticalmente.

Nota

Si utiliza un espejo, tenga en cuenta el lugar de instalación, ya que la imagen podría invertirse.

CINE NEGRO

Conmuta el vataje de la lámpara durante la proyección.

NO: Vataje normal.

SI: Potencia el negro mediante la reducción del vataje de la lámpara.

Si ajusta CINE NEGRO en **SI**, la próxima vez que active la alimentación, la lámpara utilizará el valor **NO** durante el primer minuto, y después se ajustará en **SI**.

El vataje tardará de 2 a 3 segundos en cambiar.

CONT LAMPARA

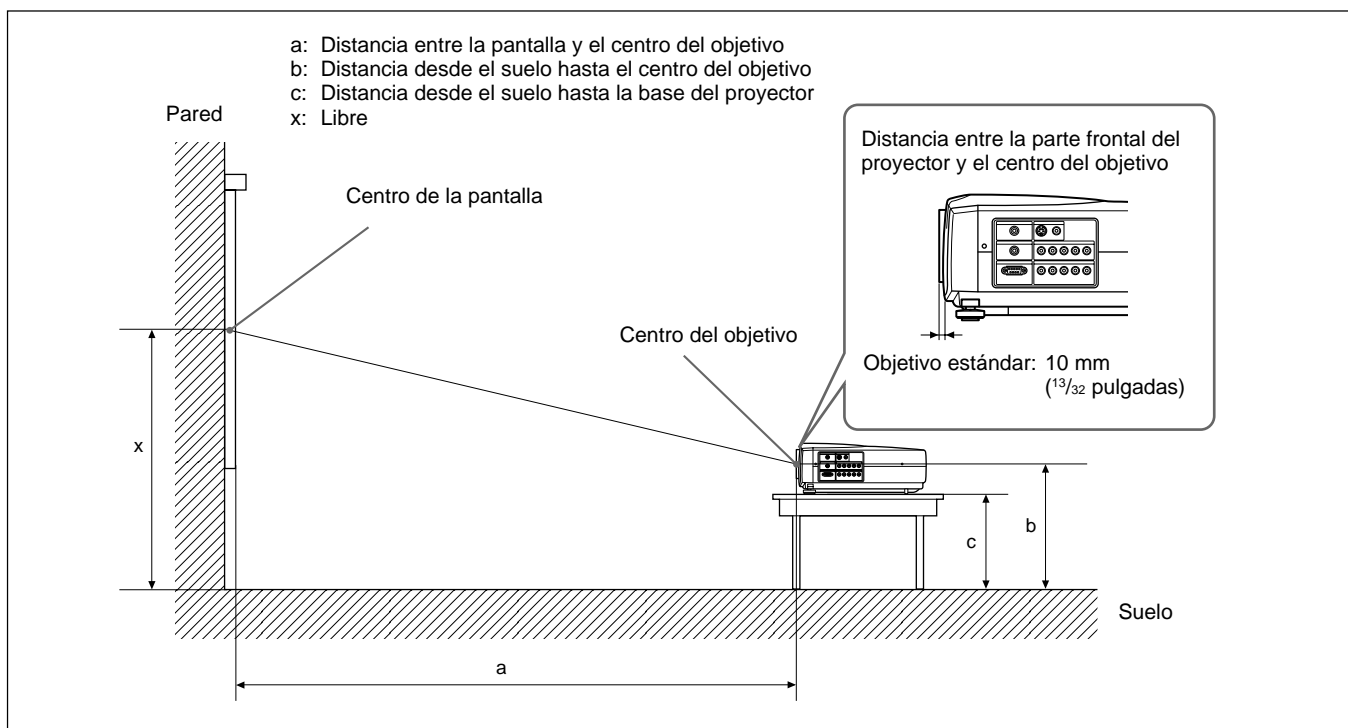
Indica cuánto tiempo ha estado la lámpara encendida.

Nota

Esto sólo muestra el espacio de tiempo. No es posible modificar la indicación.

Ejemplos de instalación

Instalación en el suelo



Unidad: mm (pulgadas)

Tamaño de la pantalla 16:9 (pulgadas)		40	60	80	100	120	150	180	200	250	300
a	Mínimo	1260 (49 5/8)	1930 (76)	2600 (102 3/8)	3270 (128 7/8)	3930 (154 3/4)	4940 (194 5/8)	5940 (234)	6610 (260 3/8)	8270 (325 3/4)	9940 (391 1/2)
	Máximo	1470 (58)	2240 (88 1/4)	3010 (118 5/32)	3780 (148 7/8)	4550 (179 1/4)	5710 (224 7/8)	6860 (270 1/8)	7630 (300 1/2)	9560 (376 1/2)	11480 (452 1/8)
b		x-249 (9 7/8)	x-374 (14 3/4)	x-498 (19 5/8)	x-623 (24 5/8)	x-747 (29 1/2)	x-934 (36 7/8)	x-1121 (44 1/8)	x-1245 (49 1/8)	x-1556 (61 3/8)	x-1868 (73 5/8)
c		x-349 (13 3/4)	x-473 (18 5/8)	x-598 (23 5/8)	x-722 (28 1/2)	x-847 (33 3/8)	x-1033 (40 3/4)	x-1220 (48 1/8)	x-1345 (53)	x-1656 (65 1/4)	x-1967 (77 1/2)

Para calcular las medidas de instalación (unidad: mm)

SS: tamaño diagonal de la pantalla (pulgadas)

$$a \text{ (mínimo)} = \{(SS \times 44,22/1,3573) - 70,76208\} \times 1,025$$

$$a \text{ (máximo)} = \{(SS \times 53,599173/1,3573) - 70,17171\} \times 0,975$$

$$b = x - (SS/1,3573 \times 8,45)$$

$$c = x - (SS/1,3573 \times 8,45 + 99,5)$$

Unidad: mm (pulgadas)

Tamaño de la pantalla 4:3 (pulgadas)		40	60	80	100	120	150	180	200	250	300
a	Mínimo	1560 (61 1/2)	2380 (93 3/4)	3200 (126)	4020 (158 5/8)	4830 (190 1/4)	6060 (238 5/8)	7290 (287 1/8)	8100 (319)	10150 (399 3/4)	12190 (480)
	Máximo	1820 (71 3/4)	2760 (108 3/4)	3700 (145 3/4)	4650 (183 1/8)	5590 (220 1/8)	7000 (275 5/8)	8420 (331 5/8)	9360 (368 5/8)	11720 (461 1/2)	14070 (554 1/8)
b		x-305 (12)	x-457 (18 1/8)	x-610 (24 1/8)	x-762 (30 1/8)	x-915 (36 1/8)	x-1143 (45 1/8)	x-1372 (54 1/8)	x-1524 (60 1/8)	x-1905 (75 1/8)	x-2287 (90 1/8)
c		x-404 (16)	x-557 (22)	x-709 (28)	x-862 (34)	x-1014 (40)	x-1243 (49)	x-1471 (58)	x-1624 (64)	x-2005 (78 31/32)	x-2386 (94)

Para calcular las medidas de instalación (unidad: mm)

SS: tamaño diagonal de la pantalla (pulgadas)

$$a \text{ (mínimo)} = \{(SS \times 44,22/1,1087) - 70,76208\} \times 1,025$$

$$a \text{ (máximo)} = \{(SS \times 53,597384/1,1087) - 70,27214\} \times 0,975$$

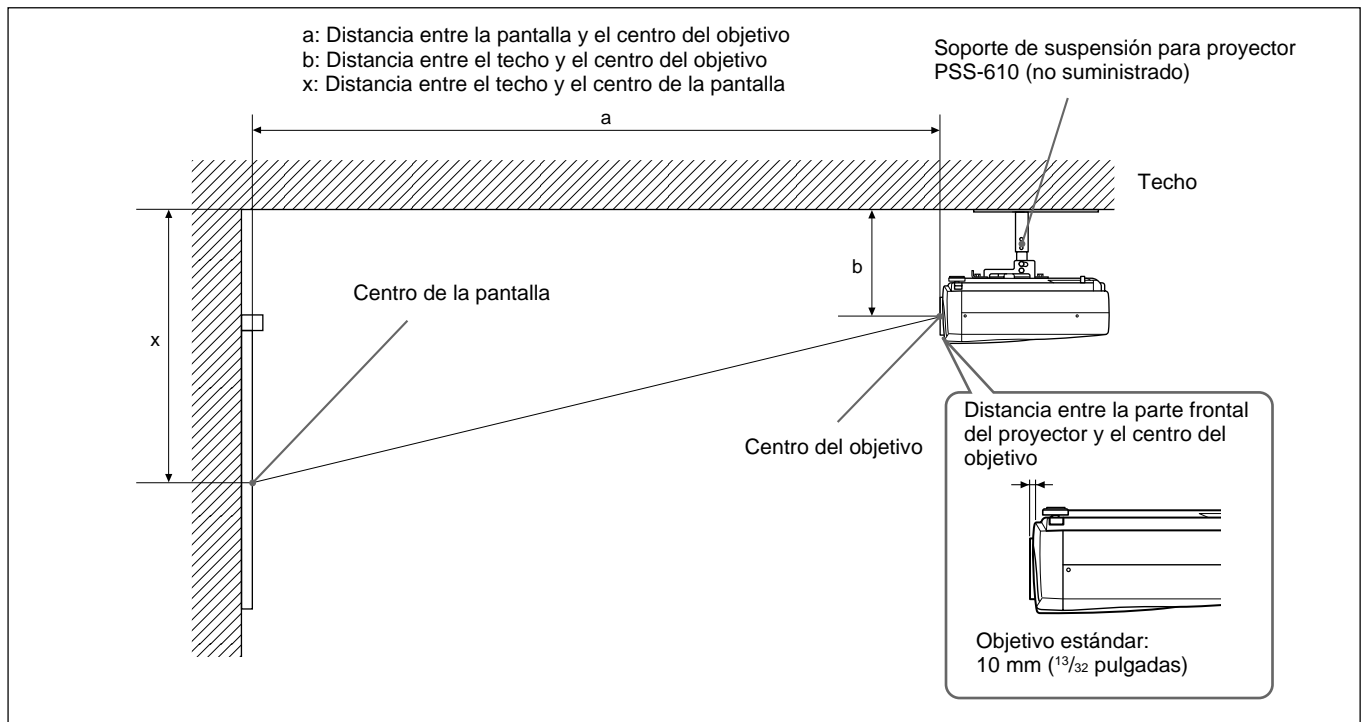
$$b = x - (SS/1,1087 \times 8,45)$$

$$c = x - (SS/1,1087 \times 8,45 + 99,5)$$

Instalación en el techo

Cuando instale el proyector en el techo, utilice el soporte de suspensión para proyector PSS-610.

Para realizar la instalación en el techo, consulte con personal Sony especializado.



Unidad: mm (pulgadas)

Tamaño de la pantalla 16:9 (pulgadas)		80	100	120	150	180	200	250	300
a	Mínimo	2600 (102 ³ / ₈)	3270 (128 ⁷ / ₈)	3930 (154 ³ / ₄)	4940 (194 ⁵ / ₈)	5940 (234)	6610 (260 ³ / ₈)	8270 (325 ³ / ₄)	9940 (391 ¹ / ₂)
	Máximo	3010 (118 ⁵ / ₃₂)	3780 (148 ⁷ / ₈)	4550 (179 ¹ / ₄)	5710 (224 ⁷ / ₈)	6860 (270 ¹ / ₈)	7630 (300 ¹ / ₂)	9560 (376 ¹ / ₂)	11480 (452 ¹ / ₈)
x		b+498 (19 ⁵ / ₈)	b+623 (24 ⁵ / ₈)	b+747 (29 ¹ / ₂)	b+934 (36 ⁷ / ₈)	b+1121 (44 ¹ / ₈)	b+1245 (49 ¹ / ₈)	b+1556 (61 ³ / ₈)	b+1868 (73 ⁵ / ₈)
b		247/272/297/347/372/397 mm (9 ³ / ₄ /10 ³ / ₄ /11 ³ / ₄ /13 ³ / ₄ /14 ³ / ₄ /15 ³ / ₄ pulgadas) ajustable al utilizar PSS-610							

Para calcular las medidas de instalación (unidad: mm)

SS: tamaño diagonal de la pantalla (pulgadas)

$$a \text{ (mínimo)} = \{(SS \times 44,22/1,3573) - 70,76208\} \times 1,025$$

$$a \text{ (máximo)} = \{(SS \times 53,599173/1,3573) - 70,17171\} \times 0,975$$

$$x = b + (SS/1,3573 \times 8,45)$$

Unidad: mm (pulgadas)

Tamaño de la pantalla 4:3 (pulgadas)		80	100	120	150	180	200	250	300
a	Mínimo	3200 (126)	4020 (158 ⁵ / ₁₆)	4830 (190 ¹ / ₄)	6060 (238 ⁵ / ₈)	7290 (287 ¹ / ₈)	8100 (319)	10150 (399 ³ / ₄)	12190 (480)
	Máximo	3700 (145 ³ / ₄)	4650 (183 ¹ / ₈)	5590 (220 ¹ / ₈)	7000 (275 ⁵ / ₈)	8420 (331 ⁵ / ₈)	9360 (368 ⁵ / ₈)	11720 (461 ¹ / ₂)	14070 (554 ¹ / ₈)
x		b+610 (24 ¹ / ₈)	b+762 (30 ¹ / ₈)	b+915 (36 ¹ / ₈)	b+1143 (45 ¹ / ₈)	b+1372 (54 ¹ / ₈)	b+1524 (60 ¹ / ₈)	b+1905 (75 ¹ / ₈)	b+2287 (90 ¹ / ₈)
b		247/272/297/347/372/397 mm (9 ³ / ₄ /10 ³ / ₄ /11 ³ / ₄ /13 ³ / ₄ /14 ³ / ₄ /15 ³ / ₄ pulgadas) ajustable al utilizar PSS-610							

Para calcular las medidas de instalación (unidad: mm)

SS: tamaño diagonal de la pantalla (pulgadas)

$$a \text{ (mínimo)} = \{(SS \times 44,22/1,1087) - 70,76208\} \times 1,025$$

$$a \text{ (máximo)} = \{(SS \times 53,597384/1,1087) - 70,27214\} \times 0,975$$

$$x = b + (SS/1,1087 \times 8,45)$$

Instalación del soporte de suspensión para proyector PSS-610

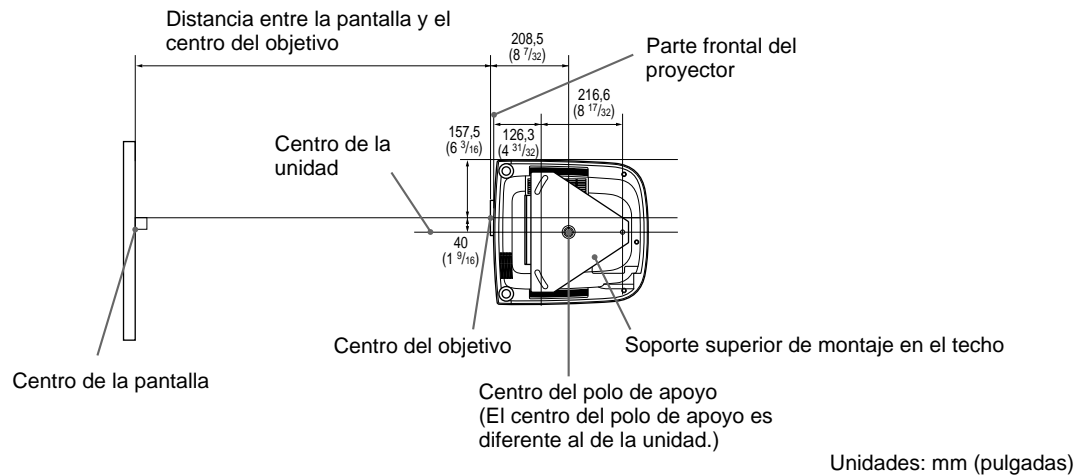
Cuando instale el proyector en el techo, utilice el soporte de suspensión para proyector PSS-610. Para obtener información detallada sobre la instalación en

el techo, consulte el manual de instalación para proveedores del PSS-610. Las medidas para instalar el proyector en el techo se muestran a continuación.

Diagrama de instalación

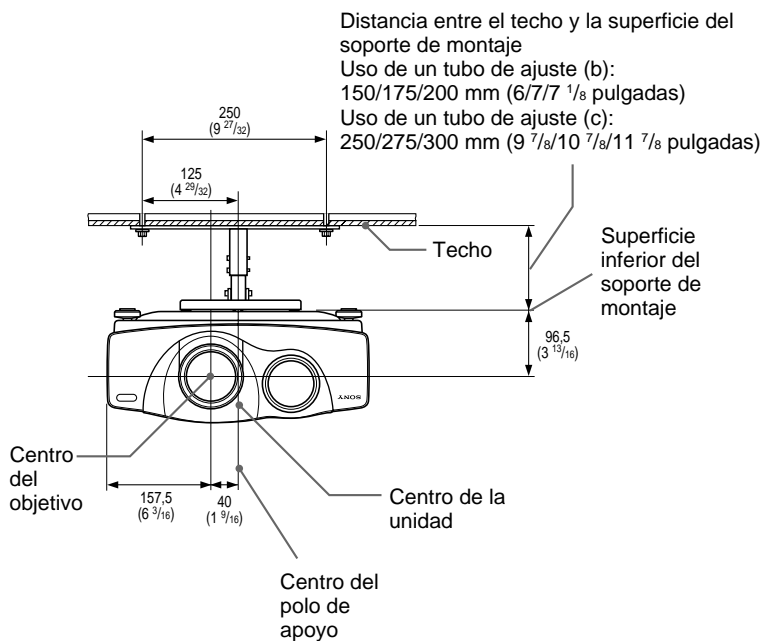
Vista superior

Alinee el centro del objetivo con el centro de la pantalla.

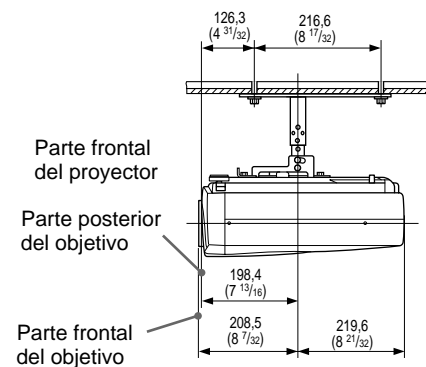


Vista frontal

El objetivo está desplazado 40 mm (1 9/16 pulgadas) a la derecha desde el centro del polo de apoyo. Cuando realice el montaje, alinee el centro del objetivo con el centro de la pantalla, no con el centro del polo de apoyo.



Vista lateral

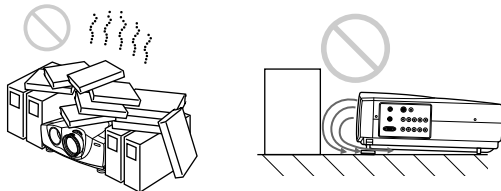


Notas para la instalación

Instalación inadecuada

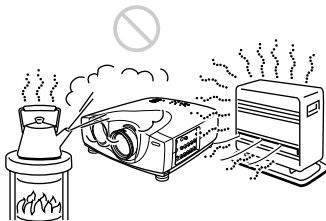
No instale el proyector en las siguientes situaciones. Estas instalaciones pueden producir fallos de funcionamiento o daños al proyector.

Ventilación escasa



- Permita una circulación de aire adecuada para evitar el recalentamiento interno. No coloque la unidad sobre superficies (alfombras, mantas, etc.) ni cerca de materiales (cortinas, tapices) que puedan bloquear los orificios de ventilación. Si se produce recalentamiento interno debido al bloqueo de los orificios, el sensor de temperatura se activará y aparecerá el mensaje “Temperatura. alta! Apag. 1min.”. La alimentación se desactivará automáticamente transcurrido un minuto.
- Deje un espacio superior a 30 cm (11 7/8 pulgadas) alrededor de la unidad.
- Procure que los orificios de ventilación no aspiren, por ejemplo, trozos de papel.
- Si coloca algún objeto enfrente de los orificios de ventilación frontales, la exhaustación podría introducirse en el proyector mediante los orificios de ventilación de la parte inferior, causando el aumento de la temperatura interna, que activa el circuito de protección. Instale el proyector de forma que la exhaustación no quede bloqueada.

Calor y humedad excesivos



- Evite instalar la unidad en un lugar donde la temperatura o la humedad sea demasiado alta, o donde la temperatura sea muy baja.
- Para evitar la condensación de humedad, no instale la unidad en un lugar donde la temperatura pueda aumentar rápidamente.

Polvo excesivo

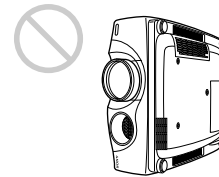


Evite instalar la unidad en lugares en los que haya mucho polvo; en caso contrario, el filtro de aire se obstruirá. Si el polvo bloquea el paso de aire a través del filtro, es posible que el calentamiento interno del proyector aumente. Sustitúyalo por uno nuevo periódicamente.

Condiciones de uso inadecuadas

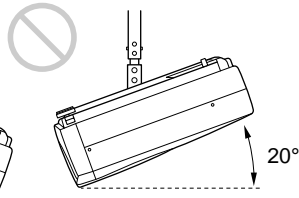
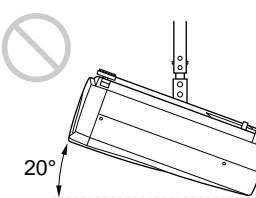
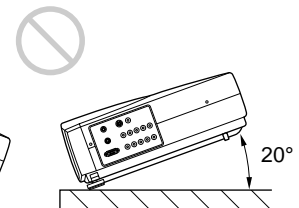
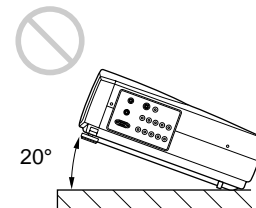
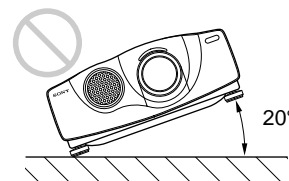
No realice lo siguiente.

No emplee la unidad en posición vertical



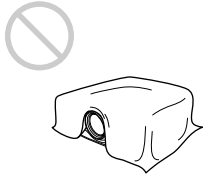
Evite utilizar la unidad en posición vertical apoyada sobre su lateral. Pueden producirse fallos de funcionamiento.

Inclinación hacia la parte frontal/posterior y derecha/izquierda

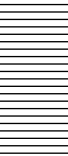


Evite utilizar la unidad con una inclinación superior a 20 grados. Instale la unidad únicamente sobre el suelo o en el techo. Si la instala en otros lugares, pueden producirse fallos de funcionamiento.

Bloqueo de los orificios de ventilación



No utilice nada que pueda cubrir los orificios de ventilación; en caso contrario, es posible que se produzca calentamiento interno.



Mantenimiento

Notas

- Si la lámpara se rompe, consulte con personal Sony especializado.
- Tire de la unidad de lámpara hacia fuera agarrando el asa. Si toca la unidad de lámpara, puede quemarse o causarse heridas.
- Cuando extraiga la unidad de lámpara, asegúrese de que la mantiene en posición horizontal y, a continuación, tire hacia arriba. No incline la unidad de lámpara. Si tira de la unidad de lámpara para extraerla mientras está inclinada y si la lámpara se rompe, los trozos pueden esparcirse, causando heridas.

Sustitución de la lámpara

Cuando la luz de la lámpara pierda luminosidad, sustitúyala inmediatamente por una lámpara de proyector nueva LMP-P200 (no suministrada). Se recomienda sustituir la lámpara por una nueva después de unas 1000 horas para el ajuste NO, o unas 2000 horas para el ajuste SI de CINE NEGRO. Cuando sea preciso cambiar la lámpara, aparecerá el mensaje “Por favor cambie la lámpara”.

Al sustituir la lámpara después de utilizar el proyector

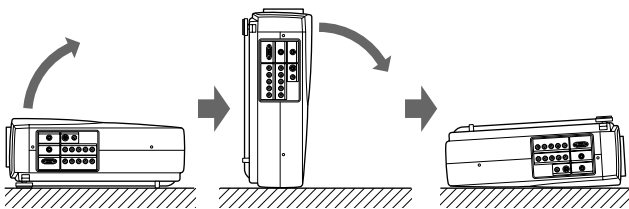
Apague el proyector y desenchufe el cable de alimentación.

Espere al menos una hora hasta que la lámpara se enfríe.

Nota

La temperatura de la lámpara será alta después de apagar el proyector con la tecla I / ⏻. Si toca la lámpara, es posible que se quemé el dedo. Antes de sustituir la lámpara, espere al menos una hora hasta que se enfríe.

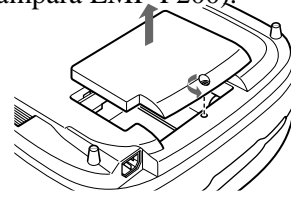
- 1 Coloque una hoja (pañó) de protección debajo del proyector.
Agarre el proyector y gírelo hacia la parte trasera como se muestra a continuación.



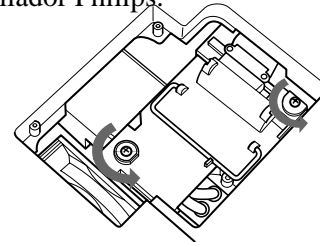
Nota

Cuando sustituya la lámpara, asegúrese de que se encuentra sobre una superficie plana y estable.

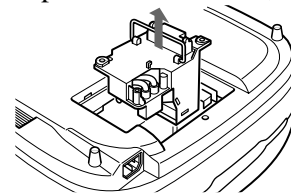
- 2 Abra la cubierta de la lámpara. Para ello, afloje un tornillo con el destornillador Philips (suministrado con la lámpara LMP-P200).



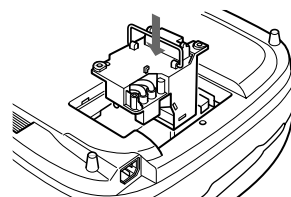
- 3 Afloje dos tornillos de la unidad de lámpara con el destornillador Philips.



- 4 Mientras agarra el asa y mantiene la unidad de lámpara en posición horizontal, tire hacia arriba.



- 5 Inserte por completo la lámpara nueva hasta que quede encajada en su sitio. Apriete los tornillos. Pliegue el asa hacia abajo.



Notas

- Tenga cuidado para no tocar la superficie de vidrio de la lámpara.
- La alimentación no se activará si la lámpara no está correctamente instalada.

- 6 Cierre la cubierta de la lámpara y apriete el tornillo.
- 7 Vuelva a darle la vuelta al proyector.
- 8 Conecte el cable de alimentación y ajuste el proyector en el modo de espera.
- 9 Pulse las siguientes teclas del panel de control en el siguiente orden durante menos de cinco segundos cada una: RESET, ←, →, ENTER.

Notas

- Con el fin de evitar descargas eléctricas o incendios, no introduzca las manos en el compartimento de sustitución de la lámpara, ni permita que se introduzcan líquidos u objetos.
- Asegúrese de utilizar la lámpara de proyector LMP-P200 para la sustitución. Si utiliza otras lámparas que no sean la LMP-P200, el proyector puede causar fallos de funcionamiento.
- Compruebe que apaga el proyector y desenchufa el cable de alimentación antes de sustituir la lámpara.

Desecho de lámparas de proyector usadas

Puesto que los materiales utilizados en esta lámpara son similares a los de una lámpara fluorescente, deberá desechar la lámpara de proyector usada de la misma forma que una lámpara fluorescente.

Sustitución del filtro de aire

El filtro de aire debe sustituirse por uno nuevo cada 500 horas.

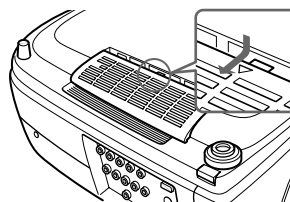
Realice los siguientes pasos para sustituir el filtro de aire:

Nota

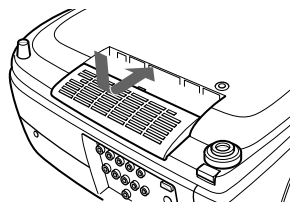
Si no sustituye regularmente el filtro de aire, es posible que pueda comenzar a obstruirse con polvo después de 500 horas de utilización. Cuando suceda esto y la temperatura interna de la unidad aumente, la función de protección contra el calor puede evitar la utilización del proyector durante cierto tiempo. Este filtro no puede limpiarse, tendrá que sustituirse periódicamente.

- 1 Desactive la alimentación y desenchufe el cable de alimentación.

- 2 Mientras presiona la marca de triángulo del filtro de aire, deslice y extraiga éste (de la parte inferior del proyector).



- 3 Instale el filtro de aire nuevo alineándolo con las guías del proyector. Deslice el filtro de aire hasta que oiga un “clic”.




Notas

- Asegúrese de instalar firmemente el filtro de aire; la alimentación no se activará si no está firmemente cerrado.
- Sustituya el filtro de aire cuando sea necesario. Calcule las horas de uso del “CONT LAMPARA” (consulte la página 26 (ES)) y utilice el criterio proporcionado a continuación para determinar cuándo sustituir el filtro de aire.
 - 15 horas de uso por semana: Aproximadamente 8 meses
 - 30 horas de uso por semana: Aproximadamente 4 meses
 - 60 horas de uso por semana: Aproximadamente 2 meses

Solución de problemas

Si el proyector parece no funcionar correctamente, intente diagnosticar y corregir el problema utilizando la siguiente guía. Si el problema no se soluciona, consulte con personal Sony especializado.

Alimentación

Problema	Causa	Solución
La alimentación no se activa.	La alimentación se ha desactivado y activado de nuevo con la tecla I /  en un corto intervalo.	Espere unos 120 segundos antes de activar la alimentación (<i>consulte la página 18 (ES)</i>).
	La cubierta de la lámpara no está fijada.	Cierre firmemente la cubierta de la lámpara (<i>consulte la página 32 (ES)</i>).
	El filtro de aire no está fijado.	Cierre el filtro de aire de forma segura (<i>consulte la página 33 (ES)</i>).

Imagen

Problema	Causa	Solución
Ausencia de imagen.	El cable está desconectado o no está correctamente conectado.	Compruebe que ha realizado las conexiones adecuadas (<i>consulte las páginas 13 (ES) y 14 (ES)</i>).
	Ajuste de entrada no válido.	Defina el ajuste ENTRAD A/B en función de la señal de entrada.
	La selección de entrada es incorrecta.	Seleccione la fuente de entrada correctamente con la tecla INPUT (<i>consulte la página 16 (ES)</i>).
	La imagen está desactivada.	Pulse la tecla MUTING PIC para cancelar la función de desactivación (<i>consulte la página 16 (ES)</i>).
	Las señales de salida de ordenador no están ajustadas para enviarse desde un monitor externo.	Ajuste la señal del ordenador para enviarse al monitor externo (<i>consulte la página 14 (ES)</i>).
	La señal del ordenador está ajustada para enviarse al LCD del mismo y a un monitor externo.	Ajuste la señal del ordenador para enviarse solamente al monitor externo (<i>consulte la página 14 (ES)</i>).
La imagen aparece con ruido.	Si introduce señales de ordenador, aparecerá cierto ruido de fondo en determinadas pantallas dependiendo del número de puntos de las señales de entrada y píxeles LCD.	Cambie el patrón del escritorio del ordenador conectado.
La indicación en pantalla no aparece.	Ha ajustado ESTADO en el menú AJUSTE en NO.	Ajuste ESTADO en el menú AJUSTE en SI (<i>consulte la página 25 (ES)</i>).

Mando a distancia

Problema	Causa	Solución
El mando a distancia no funciona.	Las pilas del mando a distancia están agotadas.	Sustitúyalas por unas nuevas (<i>consulte la página 12 (ES)</i>).
	El cable de control remoto no está conectado al conector CONTROL S IN (proyector) o CONTROL S OUT (mando a distancia).	Conecte el cable de control remoto al proyector y al mando a distancia, o desconecte el cable (<i>consulte la página 11 (ES)</i>).
	El detector de control remoto frontal/posterior está cerca de una lámpara fluorescente.	Cambie el ajuste de RECEPTOR SIRCS en el menú AJUSTE (<i>consulte la página 26 (ES)</i>).
	Utiliza el mando a distancia con cable sin pilas.	Instale pilas (<i>consulte la página 12 (ES)</i>).

Otros

Problema	Causa	Solución
El indicador LAMP/COVER parpadea.	La cubierta de la lámpara o el filtro de aire no está fijado.	Fije la cubierta de la lámpara o el filtro de aire de forma segura (<i>consulte las páginas 32 (ES) y 33 (ES)</i>).
El indicador LAMP/COVER se ilumina.	La lámpara ha llegado al final de su duración.	Sustituya la lámpara (<i>consulte la página 32 (ES)</i>).
	La temperatura de la lámpara es alta.	Espere 120 segundos para que la lámpara se enfríe y vuelva a activar la alimentación (<i>consulte la página 18 (ES)</i>).
El indicador TEMP/FAN parpadea.	El ventilador está averiado.	Consulte con personal Sony especializado.
El indicador TEMP/FAN se ilumina.	La temperatura interna es inusualmente alta.	Compruebe que nada bloquea los orificios de ventilación. Compruebe si el filtro de aire se ha utilizado más de 500 horas.
Los indicadores LAMP/COVER y TEMP/FAN se iluminan.	El sistema eléctrico falló.	Consulte con personal Sony especializado.

Mensajes de aviso

Utilice la siguiente lista para comprobar el significado de los mensajes mostrados en pantalla.

Mensaje	Significado	Solución
Temperatura. alta! Apag. 1min.	La temperatura interna es demasiado alta.	Desactive la alimentación. Compruebe que nada bloquea los orificios de ventilación. Compruebe si el filtro de aire se ha utilizado más de 500 horas.
Frecuencia fuera de rango!	Esta señal de entrada no puede proyectarse, ya que la frecuencia se encuentra fuera del margen admisible del proyector.	Introduzca una señal que se encuentre dentro del margen de la frecuencia.
	El ajuste de resolución de la señal de salida del ordenador es demasiado alto.	Defina el ajuste de salida en XGA (<i>consulte la página 14 (ES)</i>).
Compruebe ajuste ENTRAD A.	Ha introducido la señal RGB del ordenador con ENTRAD A del menú AJUSTE definido en COMPONENTE, DTV YP _B PR o DTV GBR.	Ajuste ENTRAD A correctamente (<i>consulte la página 25 (ES)</i>).
Compruebe ajuste ENTRAD B.	Ha introducido la señal RGB del ordenador con ENTRAD B del menú AJUSTE definido en COMPONENTE, DTV YP _B PR o DTV GBR.	Ajuste ENTRAD B correctamente (<i>consulte la página 25 (ES)</i>).
Por favor cambie la lámpara.	Es preciso sustituir la lámpara.	Sustituya la lámpara.

Mensajes de precaución

Utilice la siguiente lista para comprobar el significado de los mensajes mostrados en pantalla.

Mensaje	Significado	Solución
SIN ENTRADA	No se introduce ninguna señal.	Compruebe las conexiones (<i>consulte la página 13 (ES) y 14 (ES)</i>).
No aplicable!	Ha pulsado una tecla incorrecta.	Pulse la tecla apropiada.

Especificaciones

Características ópticas

Sistema de proyección

3 paneles LCD, 1 objetivo

Panel LCD

Panel LCD de p-Si TFT de
1,35 pulgadas
3.147.264 píxeles
(1.049.088 píxeles × 3)

Objetivo

Zoom de aprox. 1,2 veces
f 44,6 a 53,6 mm/F 2,2 a 2,5

Lámpara

UHP de 200 W

Tamaño de imagen de proyección

Margen: 40 a 300 pulgadas
(medida diagonal)

Salida de iluminación

ANSI lumen¹⁾ 1000 lm

Distancia de proyección

<16:9>
40 pulgadas: 1260 a 1470 mm
(49 ⁵/₈ a 58 pulgadas)
60 pulgadas: 1930 a 2240 mm
(76 a 88 ¹/₄ pulgadas)
80 pulgadas: 2600 a 3010 mm
(102 ³/₈ a 118 ⁵/₈ pulgadas)
100 pulgadas: 3270 a 3780 mm
(128 ⁷/₈ a 148 ⁷/₈ pulgadas)
120 pulgadas: 3930 a 4550 mm
(154 ³/₄ a 179 ¹/₄ pulgadas)
150 pulgadas: 4940 a 5710 mm
(194 ⁵/₈ a 224 ⁷/₈ pulgadas)
180 pulgadas: 5940 a 6860 mm
(234 a 270 ¹/₈ pulgadas)
200 pulgadas: 6610 a 7630 mm
(260 ³/₈ a 300 ¹/₂ pulgadas)
250 pulgadas: 8270 a 9560 mm
(325 ³/₄ a 376 ¹/₂ pulgadas)
300 pulgadas: 9940 a 11480 mm
(391 ¹/₂ a 452 ¹/₈ pulgadas)

<4:3>
40 pulgadas: 1560 a 1820 mm
(61 ¹/₂ a 71 ³/₄ pulgadas)
60 pulgadas: 2380 a 2760 mm
(93 ³/₄ a 108 ³/₄ pulgadas)
80 pulgadas: 3200 a 3700 mm
(126 a 145 ³/₄ pulgadas)
100 pulgadas: 4020 a 4650 mm
(158 ⁵/₁₆ a 183 ¹/₈ pulgadas)
120 pulgadas: 4830 a 5590 mm
(190 ¹/₄ a 220 ¹/₈ pulgadas)

150 pulgadas: 6060 a 7000 mm
(238 ⁵/₈ a 275 ⁵/₈ pulgadas)
180 pulgadas: 7290 a 8420 mm
(287 ¹/₈ a 331 ⁵/₈ pulgadas)
200 pulgadas: 8100 a 9360 mm
(319 a 368 ⁵/₈ pulgadas)
250 pulgadas: 10150 a 11720 mm
(399 ³/₄ a 461 ¹/₂ pulgadas)
300 pulgadas: 12190 a 14070 mm
(480 a 554 ¹/₈ pulgadas)

Características eléctricas

Sistema de color

Sistema NTSC_{3.58}/PAL/SECAM/
NTSC_{4.43}/PAL-M/PAL-N,
conmutado automática/
manualmente

Resolución

750 líneas de TV horizontales
(Entrada de vídeo)
1366 × 768 píxeles (entrada RGB)

Señales de ordenador admisibles

fH: 15 a 80 kHz
fV: 50 a 85 Hz

Entrada/Salida

VIDEO IN

VIDEO: tipo RCA
Vídeo compuesto: 1 Vp-p ±2 dB
sincronización negativa
(terminación de 75 ohmios)
S VIDEO: tipo Y/C mini DIN de 4
pines (hembra)
Y (luminancia): 1 Vp-p ±2 dB
sincronización negativa
(terminación de 75 ohmios)
C (crominancia): sincronización
de color 0,286 Vp-p ±2 dB
(NTSC)
(terminación de 75 ohmios),
sincronización de color 0,3 Vp-p
±2 dB (PAL)
(terminación de 75 ohmios)

INPUT A/B

Componente/componente
progresivo/HDTV/RGB:
Tipo RCA (hembra)
G: 0,7 Vp-p ±2 dB (terminación
de 75 ohmios)
G con sincronización/Y: 1 Vp-p
±2 dB sincronización negativa
(terminación de 75 ohmios)

1) ANSI lumen es un método de medida de American National Standard IT 7.228.

	B/CB/PB: 0,7 Vp-p \pm 2 dB
	R/CR/PR: 0,7 Vp-p \pm 2 dB (terminación de 75 ohmios)
	SYNC/HD:
	Entrada de sincronización compuesta: 1-5 Vp-p alta impedancia, positiva/negativa
	Entrada de sincronización horizontal: 1-5 Vp-p alta impedancia, positiva/negativa
	VD:
	Entrada de sincronización vertical: 1-5 Vp-p alta impedancia, positiva/negativa
REMOTE	RS-232C: D-sub de 9 pines (hembra)
CONTROL S IN/PLUG IN POWER	Minitoma estéreo de 5Vp-p, alimentación por enchufe, CC5V
TRIGGER	Alimentación activada: CC 12V Impedancia de salida de 4,7k ohmios Alimentación desactivada: 0 V
Normas de seguridad:	UL, cUL (CSA), FCC Clase B, IC Clase B, EN60 950, CE, C-Tick

Generales

Dimensiones	395 \times 168 \times 427 mm (13 ³ / ₈ \times 5 ⁵ / ₈ \times 13 ¹ / ₄ pulgadas) (an/al/prf)
Peso	Aprox. 8 kg (17 lb 10 oz)
Requisitos de alimentación	CA 100 a 240 V, 50/60 Hz
Consumo de energía	Máx. 300 W (Modo de espera: 6 W)
Corriente de irrupción pico	(1) Alimentación activada, método de sondeo de corriente: 58,0A (240V) (2) Corriente de irrupción de conmutación en caliente, medida de acuerdo con el estándar europeo EN55103-1: 24,3A (230V)
Temperatura de funcionamiento	0°C a 40°C (32°F a 104°F)
Humedad de funcionamiento	35% a 85% (sin condensación)
Temperatura de almacenamiento	-20°C a 60°C (-4°F a 140°F)

Humedad de almacenamiento	10% a 90%
Accesorios suministrados	Mando a distancia RM-PJVW10 (1) Pilas R6 (tamaño AA) (2) Tapa del objetivo (1) Cable de alimentación de CA (1) Filtro de aire (para sustitución) (1) Manual de instrucciones (1)

Diseño y especificaciones sujetos a cambios sin previo aviso.

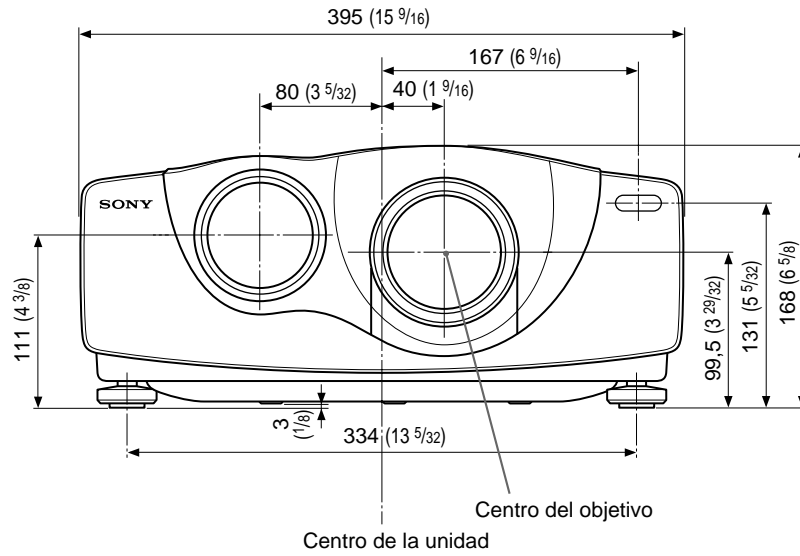
Accesorios opcionales

Lámpara de proyector LMP-P200 (para sustitución)
Soporte de suspensión para proyector PSS-610

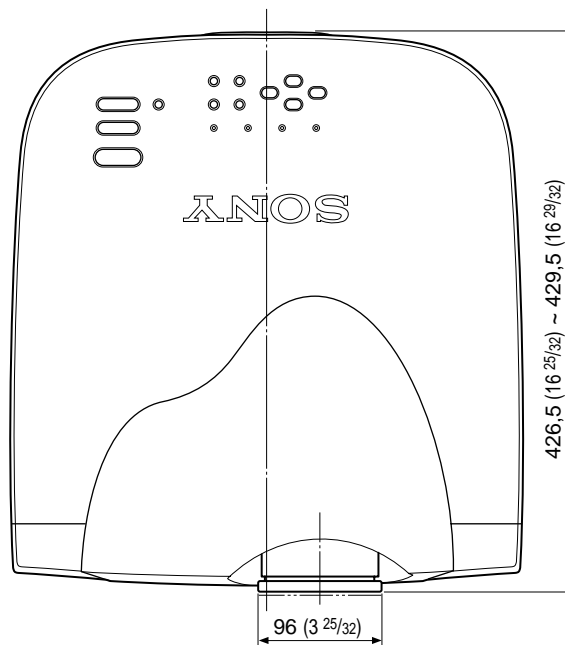
Algunos artículos pueden no estar disponibles en ciertas zonas. Para más información, consulte con el centro Sony más próximo.

Dimensiones

Frontal

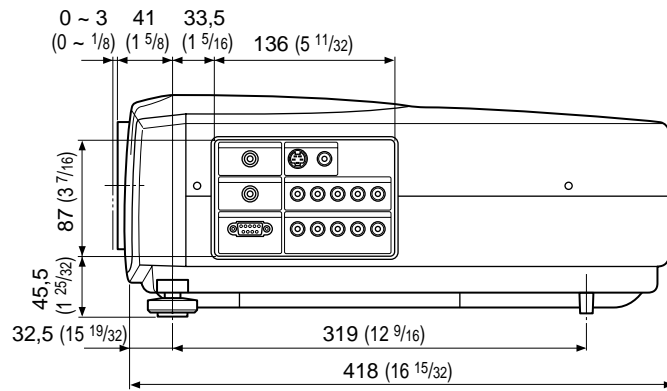


Parte superior

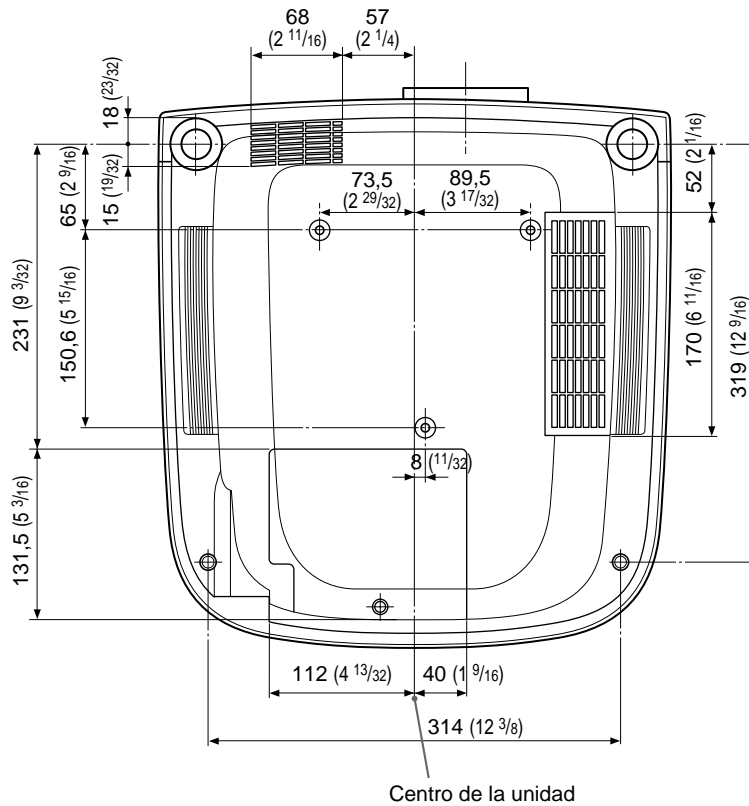


Unidad: mm (pulgadas)

Lateral



Base



Unidad: mm (pulgadas)

Índice alfabético

A

Accesorios opcionales 37 (ES)
 Accesorios suministrados 37 (ES)
 AHORRO ENERGIA 9 (ES), 26 (ES)
 Ajustador 8 (ES)
 Ajuste
 imagen 19 (ES), 20 (ES)
 memoria de los ajustes 19 (ES)
 tamaño/desplazamiento de la imagen 21 (ES), 22 (ES)
 Ajuste del tamaño de la imagen 16 (ES)
 Alimentación
 activación 16 (ES)
 desactivación 18 (ES)
 AREA TITULO 23 (ES)
 ASPECTO 22 (ES)

B

BRILLO 20 (ES)

C

CINE NEGRO 26 (ES)
 COLOR 20 (ES)
 Condensación 30 (ES)
 Conector RS-232C 10 (ES)
 Conexiones
 equipo componente 13 (ES)
 ordenador 14 (ES)
 videgrabadora 13 (ES)
 CONT LAMPARA 26 (ES)
 CONTRASTE 20 (ES)
 CONV EXPLO (convertidor de exploración) 23 (ES)

D, E, F, G, H

Desactivación de la imagen 16 (ES)
 DESPLAZ 22 (ES)
 DESPLAZAM V 23 (ES)
 Detector de control remoto
 frontal 7 (ES)
 posterior 7 (ES)

Dimensiones 38 (ES)
 DIST TRAP DIG 26 (ES)
 DRC-MF 21 (ES)
 DI TRA DIG MEM 26 (ES)
 Ejemplos de instalación 27 (ES)
 en el suelo 27 (ES)
 en el techo 28 (ES)
 ENTRAD A 25 (ES)
 ENTRAD B 25 (ES)
 Especificaciones 36 (ES)
 ESTADO (indicación en pantalla) 25 (ES)
 FASE PUNTO 21 (ES)
 Filtro de aire 33 (ES)

I, J, K, L

IDIOMA 26 (ES)
 IMAG DI (Dinámica) 20 (ES)
 INSTALACION 26 (ES)

M, N

Mando a distancia
 instalación de las pilas 12 (ES)
 ubicación y función de los controles 11 (ES)
 MEMORIA VIDEO 23 (ES)
 Mensajes
 avisos 35 (ES)
 precauciones 35 (ES)
 Menú
 AJUS ENTRAD 21 (ES)
 AJUSTE 25 (ES)
 AJUSTE INST 26 (ES)
 CTRL IMAGEN 20 (ES)
 desactivación del menú 15 (ES)
 uso del menú 19 (ES)
 Menú AJUS ENTRAD 21 (ES)
 Menú AJUSTE 25 (ES)
 Menú AJUSTE INST 26 (ES)
 Menú CTRL IMAGEN 20 (ES)
 NITIDEZ 20 (ES)
 Notas para la instalación 30 (ES)
 Condiciones de uso inadecuadas 30 (ES)
 Instalación inadecuada 30 (ES)

O

Orificios de ventilación
 aspiración 7 (ES)
 exhaustación 7 (ES)

P, Q

Pilas
 instalación 12 (ES)
 notas 12 (ES)
 POTENCIA RVA 20 (ES)
 Precauciones 5 (ES)
 Proyección 16 (ES)

R

RECEPTOR SIRCS 7 (ES), 26 (ES)
 Restauración
 elementos que pueden restaurarse 19 (ES)
 restauración del elemento 19 (ES)

S

SIST (Sistema) COLOR 20 (ES)
 Solución de problemas 34 (ES)
 Soporte de suspensión para proyector PSS-610 28 (ES)
 Sustitución de la lámpara 32 (ES)

T, U, V, W, X, Y, Z

TAMANO H 21 (ES)
 Tamaño de pantalla
 12 (ES), 27 (ES), 28 (ES), 36 (ES)
 TEMP COLOR 20 (ES)
 TONALIDAD 20 (ES)
 Ubicación y función de los controles
 lateral frontal/izquierdo 7 (ES)
 lateral posterior/derecho/base 7 (ES)
 Mando a distancia 11 (ES)
 panel de conectores 10 (ES)
 panel de control 9 (ES)

<http://www.world.sony.com/>

Printed on recycled paper

Sony Corporation Printed in Japan
