

SONY®

LCD Data Projector

Operating Instructions _____

GB

VPL-CX4

WARNING

To prevent fire or shock hazard, do not expose the unit to rain or moisture.

To avoid electrical shock, do not open the cabinet. Refer servicing to qualified personnel only.



This symbol is intended to alert the user to the presence of uninsulated “dangerous voltage” within the product’s enclosure that may be of sufficient magnitude to constitute a risk of electric shock to persons.



This symbol is intended to alert the user to the presence of important operating and maintenance (servicing) instructions in the literature accompanying the appliance.

For the customers in the USA

If you have any questions about this product, you may contact:

Sony Electronics Inc.

Attn: Business Information Center (BIC)

12451 Gateway Boulevard

Ft. Myers, Florida 33913

Telephone No.: 800-686-7669

The number below is for FCC related matters only.

Declaration of Conformity

Trade Name: SONY

Model No.: VPL-CX4

Responsible Party: Sony Electronics Inc.

Address: 680 Kinderkamack Road, Oradell, NJ 07649 U.S.A.

Telephone No.: 201-930-6972

This device complies with Part 15 of the FCC Rules. Operation is subject to the following two conditions: (1) This device may not cause harmful interference, and (2) this device must accept any interference received, including interference that may cause undesired operation.

This equipment has been tested and found to comply with the limits for a Class B digital device, pursuant to Part 15 of the FCC Rules. These limits are designed to provide reasonable protection against harmful interference in a residential installation. This equipment generates, uses, and can radiate radio frequency energy and, if not installed and used in accordance with the instructions, may cause harmful interference to radio communications. However, there is no guarantee that interference will not occur in a particular installation. If this equipment does cause harmful interference to radio or television reception, which can be determined by turning the equipment off and on, the user is encouraged to try to correct the interference by one or more of the following measures:

- Reorient or relocate the receiving antenna.
- Increase the separation between the equipment and receiver.
- Connect the equipment into an outlet on a circuit different from that to which the receiver is connected.
- Consult the dealer or an experienced radio/TV technician for help.

You are cautioned that any changes or modifications not expressly approved in this manual could void your authority to operate this equipment.

For the customers in Canada

This Class B digital apparatus complies with Canadian ICES-003.

Voor de klanten in Nederland



Gooi de batterij niet weg
maar lever deze in als klein
chemisch afval (KCA).

The socket-outlet should be installed near
the equipment and be easily accessible.

Table of Contents

Overview

Precautions	6
Features	7
Location and Function of Controls ...	8
Front/Side/Bottom	8
Rear/Left Side	8
Control Panel	10
Connector Panel	11
Remote Commander	12

Setting Up and Projecting

Installing the Projector	14
Connecting the Projector	15
Connecting with a Computer	15
Connecting with a VCR or 15k RGB/Component Equipment	17
Selecting the Menu Language	19
Projecting	21
Effective Tools for Your Presentation	24

Adjustments and Settings Using the Menu

Using the MENU	25
The PICTURE CTRL Menu	26
The INPUT SETTING Menu	27
The SET SETTING Menu	29
The INSTALL SETTING Menu	30

Maintenance

Maintenance	31
Replacing the Lamp	31
Cleaning the Air Filter	32
Troubleshooting	33
Warning Messages	35
Caution Messages	35

Other

Notes on Installation	36
Unsuitable Installation	36
Unsuitable Conditions	36
Specifications	37
Index	42

Precautions

On safety

- Check that the operating voltage of your unit is identical with the voltage of your local power supply.
- Should any liquid or solid object fall into the cabinet, unplug the unit and have it checked by qualified personnel before operating it further.
- Unplug the unit from the wall outlet if it is not to be used for several days.
- To disconnect the cord, pull it out by the plug. Never pull the cord itself.
- The wall outlet should be near the unit and easily accessible.
- The unit is not disconnected to the AC power source (mains) as long as it is connected to the wall outlet, even if the unit itself has been turned off.
- Do not look into the lens while the lamp is on.
- Do not place your hand or objects near the ventilation holes. The air coming out is hot.
- Be careful not to catch your fingers by the adjuster when you adjust the height of the projector. Do not push hard on the top of the projector with the adjuster out.

On illumination

- To obtain the best picture, the front of the screen should not be exposed to direct lighting or sunlight.
- Ceiling-mounted spot lighting is recommended. Use a cover over fluorescent lamps to avoid lowering the contrast ratio.
- Cover any windows that face the screen with opaque draperies.
- It is desirable to install the projector in a room where floor and walls are not of light-reflecting material. If the floor and walls are of reflecting material, it is recommended that the carpet and wall paper be changed to a dark color.

On preventing internal heat build-up

After you turn off the power with the I / ⏻ key, do not disconnect the unit from the wall outlet while the cooling fan is still running.

Caution

The projector is equipped with ventilation holes (intake) and ventilation holes (exhaust). Do not block or place anything near these holes, or internal heat build-up may occur, causing picture degradation or damage to the projector.

On cleaning

- To keep the cabinet looking new, periodically clean it with a soft cloth. Stubborn stains may be removed with a cloth lightly dampened with a mild detergent solution. Never use strong solvents, such as thinner, benzene, or abrasive cleansers, since these will damage the cabinet.
- Avoid touching the lens. To remove dust on the lens, use a soft dry cloth. Do not use a damp cloth, detergent solution, or thinner.
- Clean the filter at regular intervals.

On repacking

- Save the original shipping carton and packing material; they will come in handy if you ever have to ship your unit. For maximum protection, repack your unit as it was originally packed at the factory.

On LCD projector

- The LCD projector is manufactured using high-precision technology. You may, however, see tiny black points and/or bright points (red, blue, or green) that continuously appear on the LCD projector. This is a normal result of the manufacturing process and does not indicate a malfunction.

Features

High portability

- **Light weight/small size/simple design**
This projector has been miniaturized to approx. 2.4 kg (5 lb 5 oz) in weight and B5-file size.
When the front cover equipped with the control functions is closed, the design of the projector is very simple.
You can carry it easily with your computer.

Quiet operation

Because the projector uses Sony's unique cooling mechanism, it operates quietly.

High brightness, high picture quality

- **High brightness**
Adopting the high-efficiency optical system and the 120 W UHP lamp allows high brightness (light output 1000 ANSI lumen) and excellent uniformity on the picture.
- **High resolution**
Three 0.7-inch, about 790,000 pixel, XGA panels provide a resolution of 1024 × 768 dots for RGB input and 750 horizontal TV lines for video input.

Easy presentation

- **Simple setup with external equipment**
This projector is preset for 37 kinds of input signals. You can project images from an external signal source just by connecting the equipment with the supplied cable and pushing the APA key.
- **Compatible with USB (Universal Serial Bus) hub function**
You can connect USB equipment (e.g., USB mouse) to the projector and use the supplied Remote Commander as the wireless mouse by connecting to the computer with the USB cable. You can also control the projector by using the application software (CD-ROM) supplied with the projector from a computer operated with Windows 98, Windows 98 SE, Windows ME or Windows 2000. Using this application software, you can open a file you want to use for your presentation with the supplied Remote Commander.

• Easy-to-use Remote Commander

The Remote Commander is equipped with various convenient keys, including the D ZOOM key for zooming in on the image, the FREEZE key for keeping the image projected even if the equipment is disconnected, the D KEYSTONE key for correcting trapezoidal distortion of the picture.

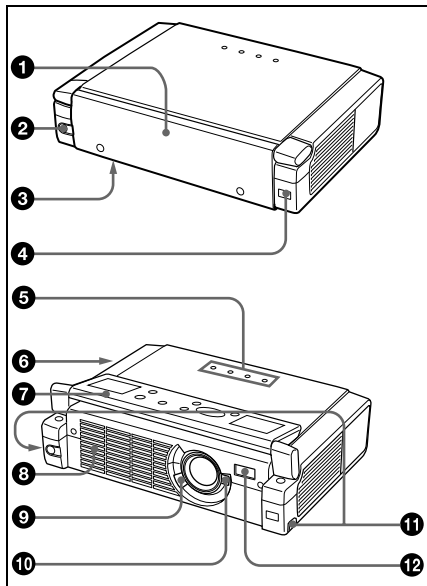
Accepts various input signals

- **Scan converter loaded**
This projector has a build-in scan converter that converts the input signal within 1024 × 768 dots.
- **Compatible input signals**
This projector accepts video signals of composite, S video, and component as well as VGA, SVGA, XGA, and SXGA signals, which all can be displayed.
- **Compatible with six color systems**
NTSC, PAL, SECAM, NTSC^{4.43}¹⁾, PAL-M, or PAL-N color system can be selected automatically or manually.
1) NTSC^{4.43} is the color system used when playing back a video recorded on NTSC on a NTSC^{4.43} system VCR.

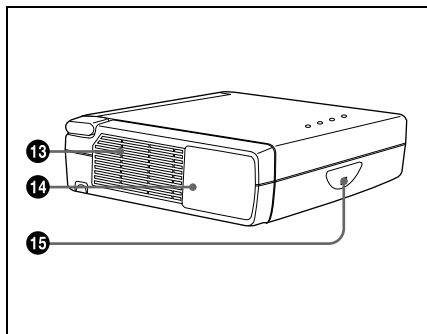
- Windows is a registered trademark of Microsoft Corporation in the United States and/or other countries.
- VGA, SVGA, XGA and SXGA are registered trademarks of the International Business Machines Corporation, U.S.A.
- Macintosh is a registered trademark of Apple Computer, Inc.
- IBM PC/AT is a registered trademark of International Business Machines Corporation, U.S.A.
- VESA is a registered trademark of Video Electronics Standard Association.
- Display Data Channel is a trademark of Video Electronics Standard Association.
- PC-98 is a trademark of NEC Corporation.

Location and Function of Controls

Front/Side/Bottom



Rear/Left Side



1 Front cover

Press the OPEN button to open the front cover.

2 OPEN button


3 Lamp cover (bottom)

4 Front remote control detector (SIRCS receiver)

5 Indicators

- **LAMP/COVER:** Lights up or flashes under the following conditions:
 - Lights up when the lamp has reached the end of its life or becomes a high temperature.
 - Flashes when the lamp cover or air filter cover is not secured firmly.
- **TEMP (Temperature)/FAN:** Lights up or flashes under the following conditions:
 - Lights up when temperature inside the projector becomes unusually high.
 - Flashes when the fan is broken.
- **POWER SAVING:** Lights up when the projector is in power saving mode. When POWER SAVING in the SET SETTING menu is set to ON, the projector goes into power saving mode if no signal is input for 10 minutes. Although the lamp goes out, the cooling fan keeps running. In power saving mode, any key does not function for the first 60 seconds. The power saving mode is canceled when a signal is input or any key is pressed.
- **ON/STANDBY:** Lights up or flashes under the following conditions:
 - Lights in red when a AC power cord is plugged into a wall outlet. Once in standby mode, you can turn on the projector with the I / ⏻ key.
 - Lights in green when the power is turned on.
 - Flashes in green while the cooling fan runs after the power is turned off with the I / ⏻ key. The fan runs for about 90 seconds after the power is turned off.

The ON/STANDBY indicator flashes quickly for the first 60

seconds. During this time, you cannot light up the ON/STANDBY indicator with the I /  key.

For details on the LAMP/COVER and the TEMP/FAN indicators, see on pages 34, 35.

6 Security lock (right side)

Connects to an optional security cable (Kensington's).

The security lock corresponds to Kensington's MicroSaver[®] Security System.

If you require further information, contact

Kensington
2855 Campus Drive
San Mateo, CA 94403

in North America
Phone: 800-235-6708
Fax: 800-247-1317

Outside North America
Phone: 847-541-9500

Home page address:
<http://www.kensington.com/>

7 Control panel

For details, see "Control Panel" on page 10.

8 Ventilation holes (exhaust)

9 Focus lever

Adjusts the picture focus.

10 Zoom lever

Adjusts the picture size.

11 Adjuster adjustment buttons

For details, see "How to use the adjuster" on page 10.

12 AC IN socket

Connects the supplied AC power cord.

13 Ventilation holes (intake)/air filter cover

Notes

- Do not place anything near the ventilation holes as it may cause internal heat build-up.
- Do not place your hand or objects near the ventilation holes as it may cause the air coming out heat build-up.
- To maintain optimal performance, clean the air filter every 300 hours.

14 Connector panel

For details, see "Connector Panel" on page 11.

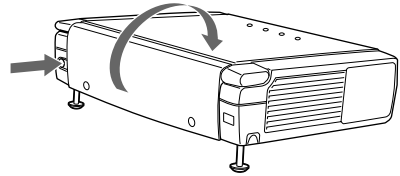
15 Rear remote control detector (SIRCS receiver)

How to open/close the front cover

To open the front cover

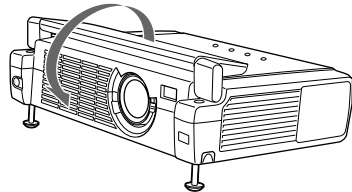
Press the OPEN button.

The front cover is opened and set on the top panel of the projector.



To close the front cover

Restore the front cover by hand.



Note

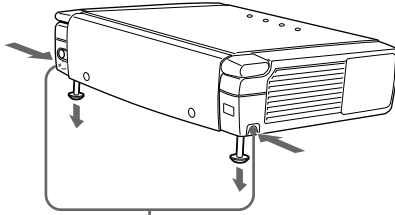
Do not tilt the projector out of the range of the adjuster setting when you open the front cover. **If the projector is tilted too much, the front cover opens speedily or slowly.**

How to use the adjuster

To adjust the height

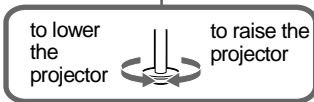
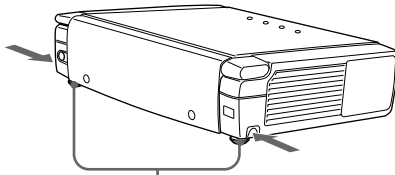
Adjust the height of the projector as follows:

- 1 Lift the projector and press the adjuster adjustment buttons. The adjusters will extend from the projector.



Adjuster adjustment buttons

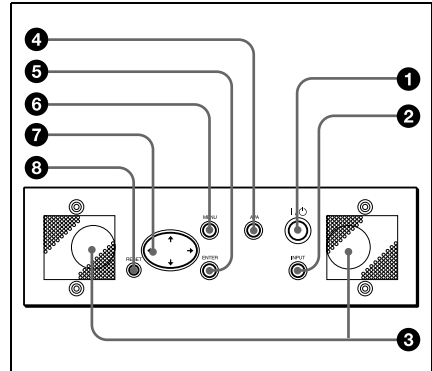
- 2 While pressing the buttons, lower the projector. Then, release the buttons. For fine adjustment, turn the adjusters to the right and the left



Notes

- Be careful not to let the projector down on your fingers.
- Do not push hard on the top of the projector with the adjusters out. It may be occurred malfunction.

Control Panel



1 I / ⏻ (on/standby) key

Turns on and off the projector when the projector is in standby mode. The ON/STANDBY indicator lights in green when the power is turned on. When turning off the power, press the I / ⏻ key twice following the message on the screen, or press and hold the key for about one second.

For details on steps for turning off the power, see "To turn off the power" on page 23.

2 INPUT key

Selects the input signal. Each time you press the key, the input signal switches as follows:



3 Speakers

4 APA (Auto Pixel Alignment) key

Adjusts a picture clearest automatically while a signal is input from a computer.

5 ENTER key

Enters the settings of items in the menu system.

6 MENU key

Displays the on-screen menu. Press again to clear the menu.

7 Arrow keys (↑/↓/←/→)

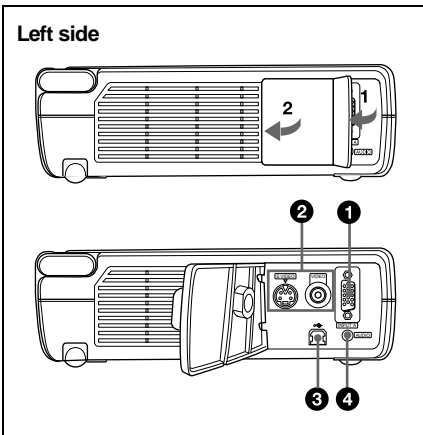
Select the menu or to make various adjustments.

8 RESET key

Resets the value of an item back to its factory preset value. This key functions when the menu or a setting item is displayed on the screen.

3 USB connector (USB plug for upstream, 4-pin)

Connect to the USB connector on a computer. When you connect the projector to the computer, you can control the mouse function with the supplied Remote Commander. The supplied application software can be installed in the computer attached to this connector.

Connector Panel**1 INPUT A connector (HD D-sub 15-pin, female)**

Connect to external equipment such as a computer.

Connects to the monitor output on a computer using the supplied cable. When inputting a component or 15k RGB signal, use an optional cable.

2 Video input connector

Connect to external video equipment such as a VCR.

- **VIDEO (phono type):** Connects to the composite video output of video equipment.
- **S VIDEO (mini DIN 4-pin):** Connects to the S video output (Y/C video output) of video equipment.

4 AUDIO (stereo minijack) connector

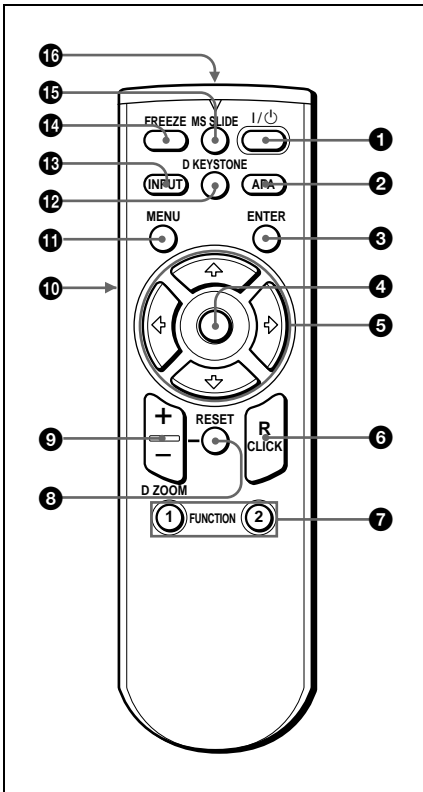
When listening to sound output from the computer, connect to the audio output of the computer.

When listening to sound output from the VCR, connect to the audio output of the VCR.

Remote Commander

The keys that have the same names as those on the control panel function identically. You can control a connected computer using the Remote Commander.

For details, see “To control the computer using the supplied Remote Commander” on page 22.



1 I/O key

2 APA (Auto Pixel Alignment) key

3 ENTER key

4 Joystick

Functions as the mouse of the computer connected to the unit.

5 Arrow keys (↑/↓/←/→)

6 R CLICK key

Functions as the right button on a mouse.

7 FUNCTION 1, 2 keys

These keys function when the supplied application software is used.

When you connect the projector with a computer, you can open a file on the screen by just pressing the FUNCTION key. This will enhance your presentation. To use this function, allocate a file to the FUNCTION key by using the application software.

For details, see the README file and the HELP file supplied with the application software.

8 RESET key

Resets the value of an item back to its factory preset value or returns the enlarged image back to its original size.

9 D ZOOM +/- key

Enlarges the image at a desired location on the screen.

+: Pressing the + key once displays the icon. This icon indicates the point you want to enlarge. Use an arrow key (↑/↓/←/→) to move the icon to the point to be enlarged. Press the + key repeatedly until the image is enlarged to your requirements.

-: Pressing the - key reduces an image that has been enlarged with the D ZOOM + key.

10 L CLICK key

Functions as the left button on a mouse.

11 MENU key

12 D KEYSTONE key

Adjusts trapezoidal distortion of the picture that may occur depending on the projector angle. Use an arrow key (↑/↓/←/→) to square the image.

13 INPUT key

14 FREEZE key

Used to freeze the picture projected. To cancel the frozen picture, press the key again.

15 MS SLIDE key

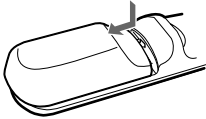
This key does not function on this unit.

16 Infrared transmitter

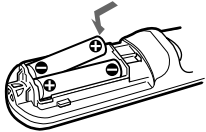
To install batteries

- 1 Push and slide to open the lid, then install the two size AA (R6) batteries (supplied) with the correct polarity.

While pressing the lid, slide it.



Be sure to install the battery from the \ominus side.



- 2 Replace the lid.

Notes on batteries

- Make sure that the battery orientation is correct when inserting batteries.
- Do not mix an old battery with a new one or different types of batteries.
- If you do not use the Remote Commander for a long time, remove the batteries to avoid damage from battery leakage. If batteries have leaked, remove them, wipe and dry the battery compartment, and replace the batteries with new ones.

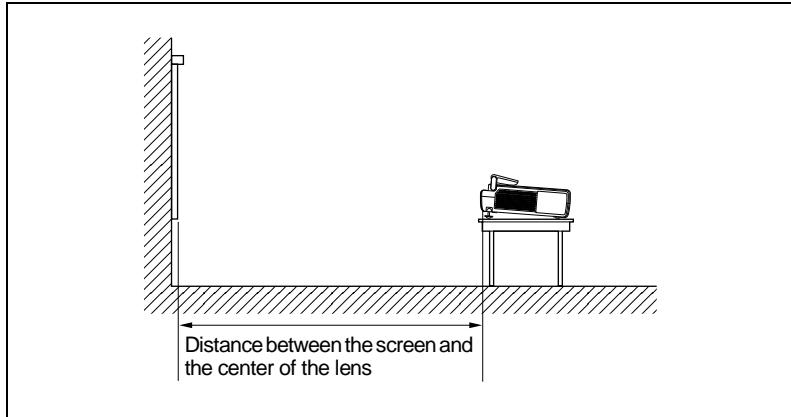
Notes on Remote Commander operation

- Make sure that nothing obstructs the infrared beam between the Remote Commander and the remote control detector on the projector. Direct the Remote Commander toward the front or rear remote control detector.
- The operation range is limited. The shorter the distance between the Remote Commander and the projector is, the wider the angle within which the commander can control the projector becomes.

Installing the Projector

This section describes how to install the projector.

The distance between the lens and the screen varies depending on the size of the screen. Use the following table as a guide.



Unit: m (feet)

Screen size (inches)	40	60	80	100	120	150
Minimum Distance	1.6 (5.2)	2.4 (7.9)	3.2 (10.6)	4.1 (13.3)	4.9 (16.0)	6.1 (20.0)
Maximum Distance	1.9 (6.1)	2.8 (9.2)	3.7 (12.2)	4.7 (15.4)	5.6 (18.4)	7.0 (23.1)

Note

You can not install the projector upside down, such as on a ceiling.

Connecting the Projector

To connect the projector, refer to the illustrations on the next and the following pages.

- Turn off all equipment before making any connections.
- Use the proper cables for each connection.
- Insert the cable plugs properly; plugs that are not fully inserted often generate noise. When pulling out a cable, be sure to pull it out from the plug, not the cable itself.

Connecting with a Computer

This section describes how to connect the projector to a computer. For more information, refer to the computer's instruction manual.

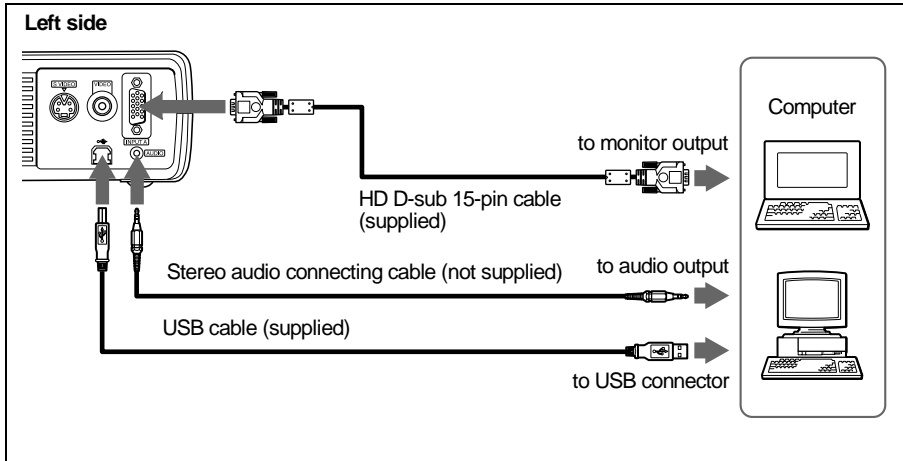
Notes

- The projector accepts VGA, SVGA, XGA, and SXGA signals. However, we recommend that you set the output mode of your computer to XGA mode for the external monitor.
- If you set your computer, such as a notebook type, to output the signal to both your computer's display and the external monitor, the picture of the external monitor may not appear properly. Set your computer to output the signal to only the external monitor.
For details, refer to the computer's operating instructions supplied with your computer.
- This projector is compatible with a DDC2B (Digital Data Channel 2B). If your computer is compatible with a DDC, turn the projector on according to the following procedures.

- 1** Connect the projector to the computer by using the supplied HD D-sub 15 pin cable.
- 2** Turn the projector on.
- 3** Start the computer.

To connect an IBM PC/AT compatible computer

When you use a wireless mouse



On the USB function

When connecting the projector to a computer by using the USB cable for the first time, the computer recognizes the following devices automatically.

- 1 USB hub (general use)
- 2 USB human interface device (wireless mouse function)
- 3 USB human interface device (projector control function)

Recommended operating environment

When you use the USB function, connect your computer as illustrated above. This application software and the USB function can be used on a computer loaded with Windows 98, Windows 98 SE, Windows ME or Windows 2000 preinstall models.

Notes

- Your computer may not start correctly when connected to the projector via the USB cable. In this case, disconnect the USB cable, restart the computer, then connect the computer to the projector using the USB cable.
- This projector is not guaranteed for suspend, standby mode. When you use the projector in suspend, standby mode, disconnect the projector from the USB port on the computer.
- Operations are not guaranteed for all the recommended computer environments.

To connect a Macintosh computer

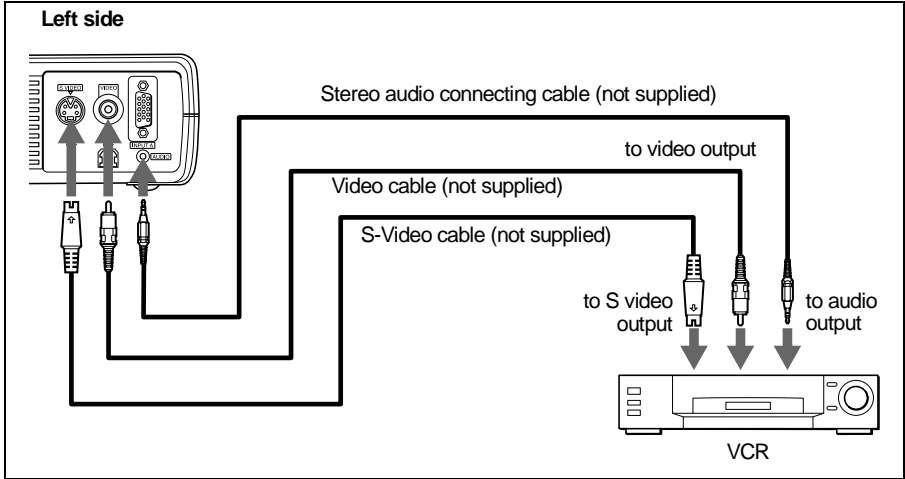
To connect a Macintosh computer equipped with video output connector of a type having two rows of pins, use a commercially available plug adaptor. In this case, however, you can not control the mouse of the computer by the Remote Commander.

Connecting with a VCR or 15k RGB/Component Equipment

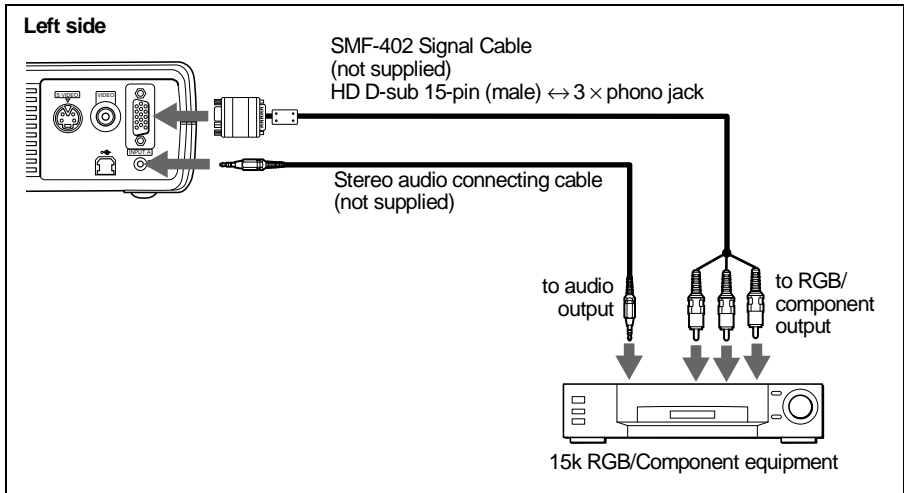
This section describes how to connect the projector to a VCR and 15k RGB/component equipment.

For more information, refer to the instruction manuals of the equipment you are connecting.

To connect a VCR



To connect a 15k RGB/Component equipment

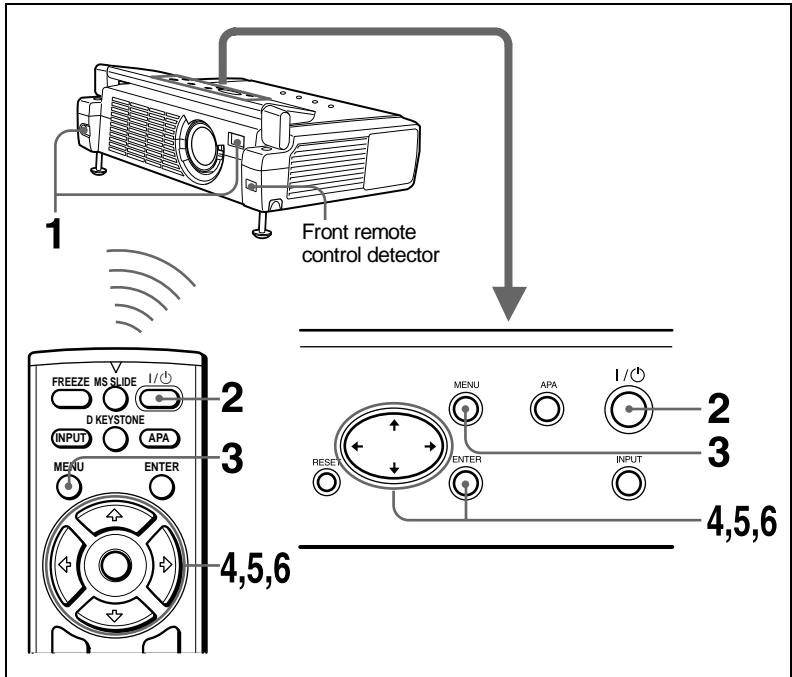


Notes

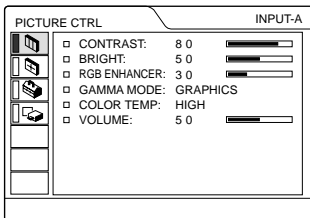
- Set the aspect ratio using ASPECT in the INPUT SETTING menu according to the input signal.
- When you connect the unit to 15k RGB or component video equipment, select video GBR or component with the INPUT-A setting in the SET SETTING menu.
- Use the composite sync signal when you input the external sync signal from 15k RGB/component equipment.

Selecting the Menu Language

You can select one of nine languages for displaying the menu and other on-screen displays. The factory setting is English.

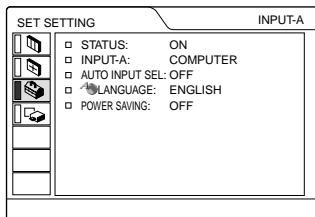


- 1 Open the front cover, then plug the AC power cord into a wall outlet.
- 2 Press the I / ⏻ key to turn on the projector.
- 3 Press the MENU key.
The menu appears.
The menu presently selected is shown as a yellow button.

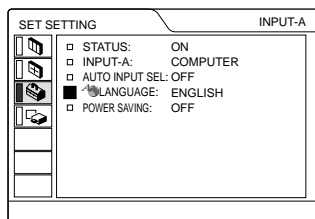


- 4 Press the **↑** or **↓** key to select the SET SETTING menu, then press the **→** or ENTER key.

The selected menu appears.



- 5 Press the **↑** or **↓** key to select "LANGUAGE," then press the **→** or ENTER key.



- 6 Press the **↑** or **↓** key to select a language, then press the **←** or ENTER key.

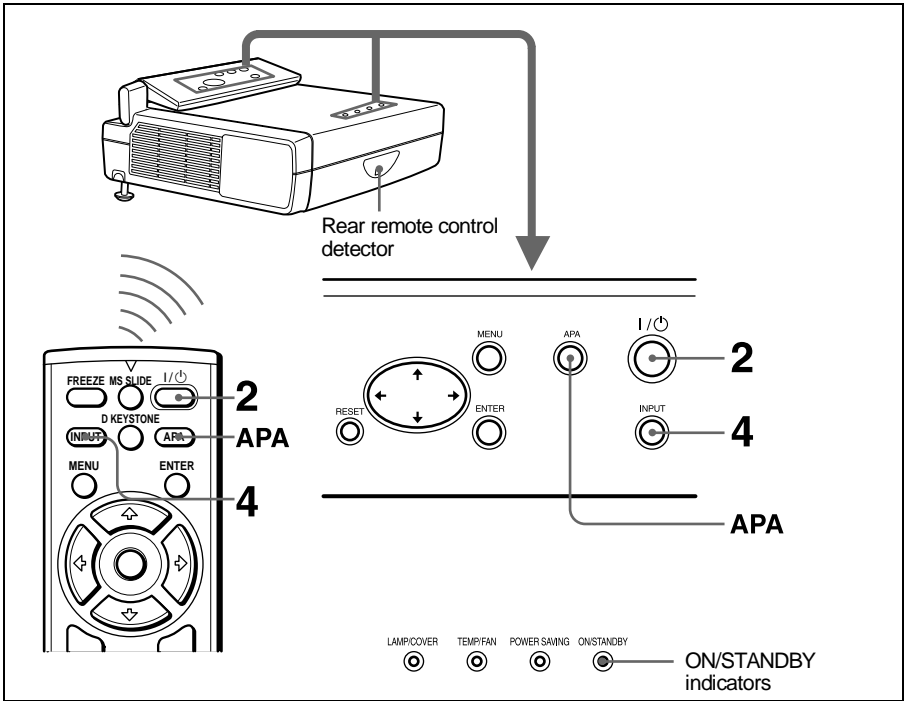
The menu changes to the selected language.

To clear the menu

Press the MENU key.

The menu disappears automatically if a key is not pressed for one minute.

Projecting



- 1** Open the front cover, plug the AC power cord into a wall outlet, then connect all equipment.
The ON/STANDBY indicator lights in red and the projector goes into standby mode.
- 2** Press the I / ⏻ key.
The ON/STANDBY indicator lights in green.
- 3** Turn on the equipment connected to the projector.
- 4** Press the INPUT key to select the input source.

To input from	Press INPUT to display
Computer connected to the INPUT A connector	INPUT A
Video equipment connected to the VIDEO input connector	VIDEO
Video equipment connected to the S VIDEO input connector	S VIDEO

- 5 Turn the zoom lever to adjust the size of the picture.
- 6 Turn the focus lever to adjust the focus.

Attention

Looking into the lens when projecting may cause injury to your eyes.

To adjust the volume

The volume can be adjusted in the on-screen menu. See “VOLUME” in the PICTURE CTRL menu on page 27.

To control the computer using the supplied Remote Commander

When you connect an IBM PC/AT compatible to the projector by using the USB cable, you can control the mouse of the computer using the Remote Commander.

The R/L CLICK keys and joystick function as follows.

Key and joystick	Function
R CLICK (front)	Right button
L CLICK (rear)	Left button
Joystick	Corresponds with the movements of the mouse

Note

Make sure that nothing obstructs the infrared beam between the Remote Commander and the remoter control detector on the projector.

To get the clearest picture

You can adjust picture quality when projecting a signal from the computer.

- 1 Project a still picture from the computer.
- 2 Press the APA key.
“Complete!” appears on the screen when the picture is adjusted properly.

Notes

- Press the APA key when the full image is displayed on the screen. If there are black edges around the image, the APA function will not function properly and the image may extend beyond the screen.
- When you switch the input signal or re-connect a computer, press the APA key again to adjust the picture again.
- You can cancel the adjustment by pressing the APA key again while “ADJUSTING” appears on the screen.
- The picture may not be adjusted properly depending on the kinds of input signals.
- Adjust the items in the INPUT SETTING menu when you adjust the picture manually.

To turn off the power

- 1 Press the I / ⏻ key.

“POWER OFF? Please press I / ⏻ key again.” appears to confirm that you want to turn off the power.

Note

A message disappears if you press any key except the I / ⏻ key, or if you do not press any key for five seconds.

- 2 Press the I / ⏻ key again.

The ON/STANDBY indicator flashes in green and the fan continues to run for about 90 seconds to reduce the internal heat. Also, the ON/STANDBY indicator flashes quickly for the first 60 seconds. During this time, you will not be able to light up the ON/STANDBY indicator with the I / ⏻ key.

- 3 Unplug the AC power cord from the wall outlet after the fan stops running and the ON/STANDBY indicator lights in red.

When you cannot confirm the on-screen message

When you cannot confirm the on-screen message in a certain condition, you can turn off the power by holding the I / ⏻ key for about one second.

Note

Do not unplug the AC power cord while the fan is still running; otherwise, the fan will stop even though the internal heat is still high, which could result in a breakdown of the projector.

On air filter

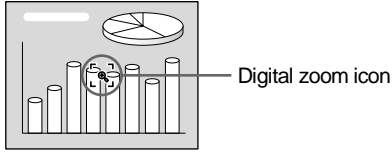
To maintain optimal performance, **clean the air filter every 300 hours.**

Effective Tools for Your Presentation

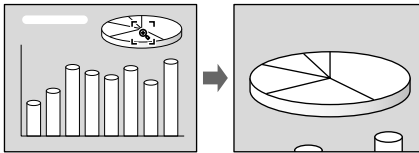
To enlarge the image (Digital Zoom function)

You can select a point in the image to enlarge. This function works when a signal from a computer is input.

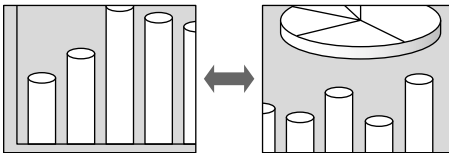
- 1 Press the D ZOOM + key on the Remote Commander.
The digital zoom icon appears the center of the image.



- 2 Move the icon to the point on the image you want to enlarge. Use the arrow key (↑/↓/←/→) to move the icon.
- 3 Press the D ZOOM + key again.
The image where the icon is located is enlarged. The enlargement ratio is displayed on the screen for a few seconds.
By pressing the + key repeatedly, the image size increases (ratio of enlargement: max. 4 times.)



Use the arrow key (↑/↓/←/→) to scroll the enlarged image.



To return the image back to its original size

Press the D ZOOM – key.

Just pressing the RESET key returns the image back to its original size immediately.

To freeze the image projected (Freeze function)

Press the FREEZE key. “FREEZE” appears when the key is pressed. This function works when a signal from a computer is input.

To restore the original screen, press the FREEZE key again.

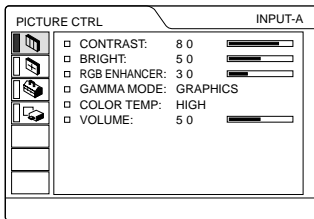
Using the MENU

The projector is equipped with an on-screen menu for making various adjustments and settings. You can change the menu language displayed in the on-screen menu.

To change the menu language, see “Selecting the Menu Language” on page 19.

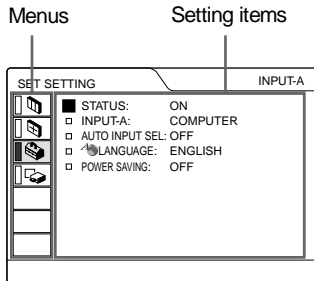
1 Press the MENU key.

The menu appears.
The menu presently selected is shown as a yellow button.



2 Use the ↑ or ↓ key to select a menu, then press the → or ENTER key.

The selected menu appears.



3 Select an item.

Use the ↑ or ↓ key to select the item, then press the → or ENTER key.

4 Make the setting or adjustment on an item.

- When changing the adjustment level:
To increase the number, press the ↑ or → key.
To decrease the number, press the ↓ or ← key.
Press the ENTER key to restore the original screen.
- When changing the setting:
Press the ↑ or ↓ key to change the setting.
Press the ENTER or ← key to restore the original screen.

To clear the menu

Press the MENU key.
The menu disappears automatically if a key is not pressed for one minute.

To reset items that have been adjusted

Press the RESET key.
“Complete!” appears on the screen and **the settings appearing on the screen are reset to their factory preset values.**

Items that can be reset are:

- “CONTRAST,” “BRIGHT,” “COLOR,” “HUE,” “SHARP,” and “RGB ENHANCER” in the PICTURE CTRL menu
- “DOT PHASE,” “SIZE H,” and “SHIFT” in the INPUT SETTING menu
- “DIGIT KEYSTONE” in the INSTALL SETTING menu.

About the memory of the settings

The settings are automatically stored in the projector memory.

If no signal is input

If there is no input signal, “NO INPUT—Cannot adjust this item.” appears on the screen.

About the menu display

You can set the display position of the menu, intensity of the background picture and tone of the menu items as you like.

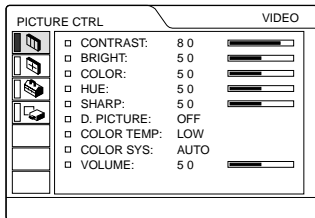
For details, see page 30.

The PICTURE CTRL Menu

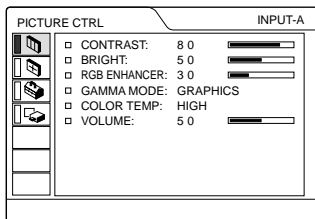
The PICTURE CTRL (control) menu is used for adjusting the picture. Items that cannot be adjusted depending on the input signal are not displayed in the menu.

For details on the unadjustable items, see page 39.

When the video signal is input



When the RGB signal is input



Menu Items

CONTRAST

Adjusts the picture contrast. The higher the setting, the greater the contrast. The lower the setting, the lower the contrast.

BRIGHT

Adjusts the picture brightness. The higher the setting, the brighter the picture. The lower the setting, the darker the picture.

COLOR

Adjusts color intensity. The higher the setting, the greater the intensity. The lower the setting, the lower the intensity.

HUE

Adjusts color tones. The higher the setting, the picture becomes greenish. The lower the setting, the picture becomes purplish.

SHARP

Adjusts the picture sharpness. The higher the setting, the sharper the picture. The lower the setting, the softer the picture.

RGB ENHANCER

Adjusts the picture sharpness when RGB signals are input.

The higher the setting, the sharper the picture. The lower the setting, the softer the picture.

D. (Dynamic) PICTURE

Emphasizes the black color.

ON: Emphasizes the black color to produce a bolder "dynamic" picture.

OFF: Reproduces the dark portions of the picture accurately, in accordance with the source signal.

GAMMA MODE

Selects a gamma correction curve.

GRAPHICS: Improves the reproduction of halftones. Photos can be reproduced in natural tones.

TEXT: Contrasts black and white. Suitable for images that contain lots of text.

COLOR TEMP

Adjusts the color temperature.

HIGH: Makes the white color bluish.

LOW: Makes the white color reddish.

COLOR SYS (System)

Selects the color system of the input signal.

- **AUTO:** NTSC^{3.58}, PAL, SECAM and NTSC^{4.43} (switched automatically)
- **PAL-M/N:** PAL-M/PAL-N and NTSC^{3.58} (switched automatically)

Normally, set to AUTO. If the picture is distorted or colorless, select the color system according to the input signal.

VOLUME

Adjusts the volume. The volume can be adjusted for each of INPUT A, MS, VIDEO and S VIDEO input.

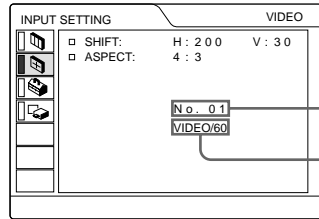
The INPUT SETTING Menu

The INPUT SETTING menu is used to adjust the input signal.

Items that cannot be adjusted depending on the input signal are not displayed in the menu.

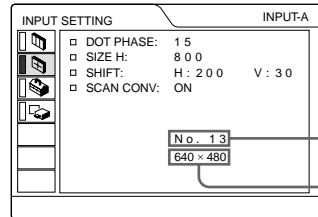
For details on the unadjustable items, see page 39.

When the video signal is input



Memory No.
Signal type

When the RGB signal is input



Memory No.
Signal type

MENU Items

DOT PHASE

Adjusts the dot phase of the LCD panel and the signal input from the INPUT A connector.

Adjust the picture further for finer picture after the picture is adjusted by pressing the APA key.

Adjust the picture to where it looks clearest.

SIZE H

Adjusts the horizontal size of picture input from the INPUT A connector. The higher the setting, the larger the horizontal size of the picture. The lower the setting, the smaller the horizontal size of the picture. Adjust the setting according to the dots of the input signal.

For details on the suitable value for the preset signals, see page 40.

SHIFT

Adjusts the position of the picture. H adjusts the horizontal position of the picture. V adjusts the vertical position of the picture. As the setting for H increases, the picture moves to the right, and as the setting decreases, the picture moves to the left. As the setting for V increases, the picture moves up, and as the setting decreases, the picture moves down. Use the ← or the → key to adjust the horizontal position and the ↑ and ↓ key for the vertical position.

SCAN CONV (Scan converter)

Converts the signal to display the picture according to the screen size.

ON: Displays the picture according to the screen size. The picture will lose some clarity.

OFF: Displays the picture while matching one pixel of input picture element to that of the LCD. The picture will be clear but the picture size will be smaller.

Note

When XGA or SXGA signal is input, this item will not be displayed.

ASPECT

Sets the aspect ratio of the picture. When inputting 16:9 (squeezed) signal from equipment such as a DVD player, set to 16:9.

4:3: When the picture with ratio 4:3 is input.

16:9: When the picture with ratio 16:9 (squeezed) is input.

About the Preset Memory No.

This projector has 37 types of preset data for input signals (the preset memory). When a preset signal is input, the projector automatically detects the signal type and recalls the data for the signal from the preset memory to adjust it to an optimum picture. The memory number and signal type of that signal are displayed in the INPUT SETTING menu. You can also adjust the preset data through the INPUT SETTING menu.

This projector has 20 types of user memories for INPUT-A into which you can save the setting of the adjusted data for an unpreset input signal.

When an unpreset signal is input for the first time, a memory number is displayed as 0. When you adjust the data of the signal in the INPUT SETTING menu, it will be registered to the projector. If more than 20 user memories are registered, the newest memory always overwrites the oldest one.

See the chart on page 40 to find if the signal is registered to the preset memory.

Since the data is recalled from the preset memory about the following signals, you can use these preset data by adjusting SIZE H. Make fine adjustment by adjusting SHIFT.

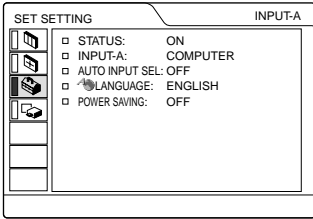
Signal	Memory No.	SIZE
Super Mac-2	23	1312
SGI-1	23	1320
Macintosh 19"	25	1328
Macintosh 21"	27	1456
Sony News	36	1708
PC-9821 1280 × 1024	36	1600
WS Sunmicro	37	1664

Note

When the aspect ratio of input signal is other than 4:3, a part of the screen is displayed in black.

The SET SETTING Menu

The SET SETTING menu is used for changing the settings of the projector.



Menu Items

STATUS (on-screen display)

Sets up the on-screen display.

ON: Shows all of the on-screen displays.

OFF: Turns off the on-screen displays except for the menus, a message when turning off the power, and warning messages.

INPUT-A

Selects the computer, component or video GBR signal input from the INPUT A connector.

Note

If the setting is not correct, "Please check INPUT-A setting." appears on the screen and the color of the picture becomes strange or the picture is not displayed.

AUTO INPUT SEL

When set to ON, the projector detects input signals in the following order: INPUT-A/ VIDEO/S-VIDEO. It indicates the input channel when the power is turned on or the INPUT key is pressed.

LANGUAGE

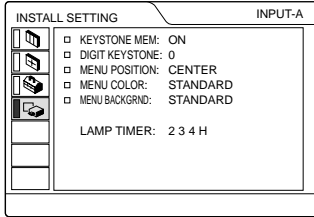
Selects the language used in the menu and on-screen displays. Available languages are: English, French, German, Italian, Spanish, Portuguese, Japanese, Chinese and Korean.

POWER SAVING

When set to ON, the projector goes into power saving mode if no signal is input for 10 minutes.

The INSTALL SETTING Menu

The INSTALL SETTING menu is used for changing the settings of the projector.




Menu Items

KEYSTONE MEM

ON: DIGIT KEYSTONE setting is stored. The data is retrieved when the projector power is turned on. The setting will remain the same every time.
OFF: DIGIT KEYSTONE is reset to 0 when the power is turned on next time.

DIGIT KEYSTONE

Corrects the trapezoidal distortion caused by the projection angle.

When the upside of the trapezoid is longer than the downside  : Sets to a plus value.

MENU POSITION

Selects the display position of the menu from TOP LEFT, BOTTOM LEFT, CENTER, TOP RIGHT and BOTTOM RIGHT.

MENU COLOR

Selects the tone of the menu display from STANDARD, WARM, COOL, GREEN or GRAY.

MENU BACKGRND

Selects the intensity of the background picture of the menu display from DARK, STANDARD or LIGHT.

LAMP TIMER

Indicates how long the lamp has been turned on.

Note

This only displays the time. You cannot alter the display.

Maintenance

Replacing the Lamp

When the lamp has burnt out or dims, or “Please replace the LAMP.” appears on the screen, replace the lamp with a new one. Use LMP-C121 Projector Lamp as the replacement lamp. The lamp life varies depending on conditions of use.

When replacing the lamp after using the projector

Turn off the projector, then unplug the power cord. Wait for at least an hour for the lamp to cool.

Caution

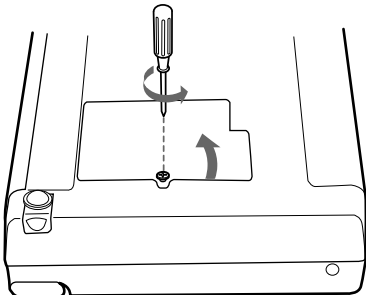
The lamp becomes a high temperature after turning off the projector with the I / ⏻ key. **If you touch the lamp, you may scald your finger. When you replace the lamp, wait for at least an hour for the lamp to cool.**

- 1 Place a protective sheet (cloth) beneath the projector. Turn the projector over so you can see its underside.

Note

Be sure that the projector is stable after turning it over.

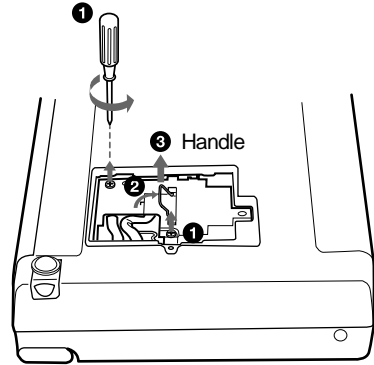
- 2 Open the lamp cover by loosening a screw with the Phillips screwdriver (supplied with the Projector Lamp).



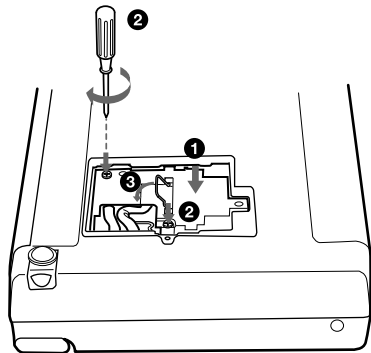
Note

For safety sake, do not loosen any other screws.

- 3 Loosen the screws on the lamp unit with the Phillips screwdriver. Pull out the lamp unit by the handle.



- 4 Insert the new lamp all the way in until it is securely in place. Tighten the screws. Fold up the handle.



Notes

- Be careful not to touch the glass surface of the lamp.
- The power will not turn on if the lamp is not secured properly.

- 5 Close the lamp cover and tighten the screws.
- 6 Turn the projector back over.

- 7 Connect the power cord and turn the projector to standby mode.
- 8 Press the following keys on the control panel in the following order for less than five seconds each: RESET, ←, →, ENTER.

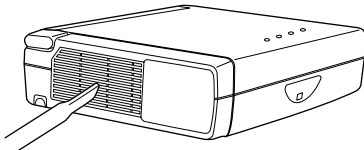
Notes

- **Be sure to use the LMP-C121 Projector Lamp for replacement.** If you use lamps other than LMP-C121, the projector may cause a malfunction.
- Be sure to turn off the projector and unplug the power cord before replacing the lamp.
- Do not put your hands into the lamp replacement spot, or not fall any liquid or object into it **to avoid electrical shock or fire.**

Cleaning the Air Filter

The air filter should be cleaned every 300 hours.

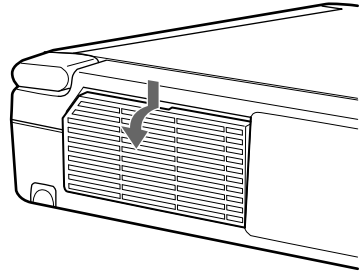
Remove dust from the outside of the ventilation holes with a vacuum cleaner.



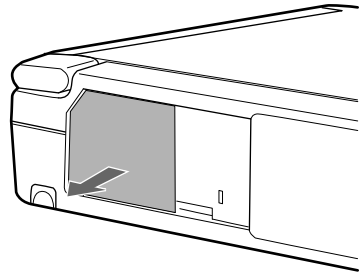
When it becomes difficult to remove the dust from the filter with a vacuum cleaner, remove the air filter and wash it.

- 1 Turn off the power and unplug the power cord.

- 2 Remove the air filter cover.



- 3 Remove the air filter.



- 4 Wash the air filter with a mild detergent solution and dry it in a shaded place.

- 5 Attach the air filter and replace the cover.

Notes

- **If you neglect to clean the air filter, dust may accumulate, clogging it. As a result, the temperature may rise inside the unit, leading to a possible malfunction or fire.**
- If the dust cannot be removed from the air filter, replace the air filter with the supplied new one.
- Be sure to attach the air filter cover firmly; the power will not be turned on if it is not closed securely.
- The air filter has a face and a reverse side. Place the air filter so that it fits in a notch on the air filter cover.

Troubleshooting

If the projector appears to be operating erratically, try to diagnose and correct the problem using the following instructions. If the problem persists, consult with qualified Sony personnel.

Power

Symptom	Cause and Remedy
The power is not turned on.	<ul style="list-style-type: none"> • The power has been turned off and on with the I / ⏻ key at a short interval. → Wait for about 90 seconds before turning on the power (see page 23). • The lamp cover is detached. → Close the lamp cover securely (see page 31). • The air filter cover is detached. → Close the air filter cover securely (see page 32).
Both the LAMP/COVER and TEMP/FAN indicators light up.	<ul style="list-style-type: none"> • The electrical system breaks down. → Consult with qualified Sony personnel.

Picture

Symptom	Cause and Remedy
No picture.	<ul style="list-style-type: none"> • Cable is disconnected or the connections are wrong. → Check that the proper connections have been made (see page 15). • Input selection is incorrect. → Select the input source correctly using the INPUT key (see page 21). • The computer signal is not set to output to an external monitor. → Set the computer signal to output to an external monitor (see page 15). • The computer signal is set to output to both the LCD of the computer and external monitor. → Set the computer signal to output only to the external monitor (see page 15).
The picture is noisy.	<ul style="list-style-type: none"> • Noise may appear on the background depending on the combination of the numbers of dot input from the connector and numbers of pixel on the LCD panel. → Change the desktop pattern on the connected computer.
The picture from INPUT A connector is colored strange.	<ul style="list-style-type: none"> • Setting for INPUT-A in the SET SETTING menu is incorrect. → Select COMPUTER, VIDEO GBR or COMPONENT for INPUT-A in the SET SETTING menu according to the input signal (see page 29).
“Please check INPUT-A setting.” appears in spite of inputting the correct signal from INPUT A.	<ul style="list-style-type: none"> • Setting for INPUT-A in the SET SETTING menu is incorrect. → Select COMPUTER, VIDEO GBR or COMPONENT for INPUT-A in the SET SETTING menu according to the input signal (see page 29).
On-screen display does not appear.	<ul style="list-style-type: none"> • STATUS in the SET SETTING menu has been set to OFF. → Set STATUS in the SET SETTING menu to ON (see page 29).

Symptom	Cause and Remedy
Color balance is incorrect.	<ul style="list-style-type: none"> • Picture has not been adjusted properly. → Adjust the picture (see page 26). • Projector is set to wrong color system. → Set COLOR SYS in the PICTURE CTRL menu to match the color system being input (see page 27).
The picture is too dark.	<ul style="list-style-type: none"> • Contrast or brightness has not been adjusted properly. → Adjust the contrast or brightness in the PICTURE CTRL menu properly (see page 26).
The picture is not clear.	<ul style="list-style-type: none"> • Picture is out of focus. → Adjust the focus (see page 22). • Condensation has occurred on the lens. → Leave the projector for about two hours with the power on.
The picture appears too small on the screen.	<ul style="list-style-type: none"> • SHIFT in the INPUT SETTING menu has not been adjusted properly. → Adjust SHIFT in the INPUT SETTING menu properly (see page 28).
The picture flickers.	<ul style="list-style-type: none"> • DOT PHASE in the INPUT SETTING menu has not been adjusted properly. → Adjust DOT PHASE in the INPUT SETTING menu properly (see page 27).

Sound

Symptom	Cause and Remedy
No sound.	<ul style="list-style-type: none"> • Cable is disconnected or the connections are wrong. → Check that the proper connections have been made (see page 15).
When sound is input through AUDIO connector, sound comes through one channel only.	<ul style="list-style-type: none"> • Monaural sound is being input through the AUDIO connector. → Input stereo sound.

Remote Commander

Symptom	Cause and Remedy
The Remote Commander does not work.	<ul style="list-style-type: none"> • The Remote Commander batteries are dead. → Replace with a new battery (see page 12).

Others

Symptom	Cause and Remedy
The LAMP/COVER indicator flashes.	<ul style="list-style-type: none"> • The lamp cover or the air filter cover is detached. → Attach the cover securely (see page 31).
The LAMP/COVER indicator lights up.	<ul style="list-style-type: none"> • The lamp has reached the end of its life. → Replace the lamp (see page 31). • The lamp becomes a high temperature. → Wait for 90 seconds to cool down the lamp and turn on the power again (see page 23).

Symptom	Cause and Remedy
The TEMP/FAN indicator flashes.	<ul style="list-style-type: none"> The fan is broken. → Consult with qualified Sony personnel.
The TEMP/FAN indicator lights up.	<ul style="list-style-type: none"> The internal temperature is unusually high. → Check to see if nothing is blocking the ventilation holes.
Both the LAMP/COVER and TEMP/FAN indicators light up.	<ul style="list-style-type: none"> The electrical system breaks down. → Consult with qualified Sony personnel.

Warning Messages

Use the list below to check the meaning of the messages displayed on the screen.

Message	Meaning and Remedy
High temp.! Lamp off in 1 min.	<ul style="list-style-type: none"> Internal temperature is too high. → Turn off the power. → Check to see if nothing is blocking the ventilation holes.
Frequency is out of range!	<ul style="list-style-type: none"> This input signal cannot be projected as the frequency is out of the acceptable range of the projector. → Input a signal that is within the range of the frequency. The resolution setting of the output signal of a computer is too high. → Set the setting of output to XGA (see page 15).
Please check INPUT-A setting.	<ul style="list-style-type: none"> You have input RGB signal from the computer when INPUT-A in the SET SETTING menu is set to COMPONENT. → Set INPUT-A correctly (see page 29).
Please replace the LAMP.	<ul style="list-style-type: none"> It is time to replace the lamp. → Replace the lamp.

Caution Messages

Use the list below to check the meaning of the messages displayed on the screen.

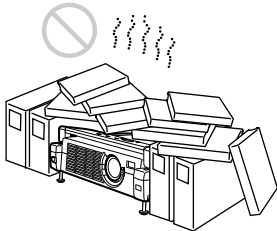
Message	Meaning and Remedy
NO INPUT	<ul style="list-style-type: none"> No input signal → Check connections (see page 15).
Not applicable!	<ul style="list-style-type: none"> You have pressed the wrong key. → Press the appropriate key.

Notes on Installation

Unsuitable Installation

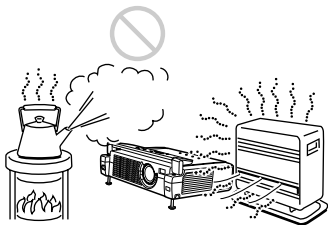
Do not install the projector in the following situations. **These installations may cause malfunction or damage** to the projector.

Poorly ventilated



- Allow adequate air circulation to prevent internal heat build-up. Do not place the unit on surfaces (rugs, blankets, etc.) or near materials (curtains, draperies) that may block the ventilation holes. When the internal heat builds up due to the block-up, the temperature sensor will function with the message “High temp.! Lamp off in 1 min.” The power will be turned off automatically after one minute.
- Leave space of more than 30 cm (11 ⁷/₈ inches) around the unit.
- Be careful that the ventilation holes may inhale tininess such as a piece of paper.

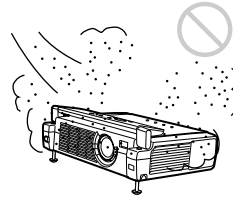
Highly heated and humid



- Avoid installing the unit in a location where the temperature or humidity is very high, or temperature is very low.
- To avoid moisture condensation, do not install the unit in a location where the temperature may rise rapidly.

Very dusty

Avoid installing the unit in a location where there is a lot of dust; otherwise, the air filter will be obstructed. The dust blocking the air through the filter may cause raising the internal heat of the projector. Clean it up periodically.

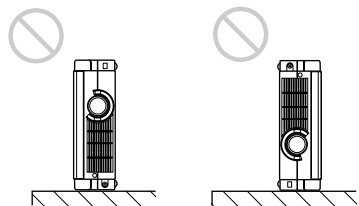


Unsuitable Conditions

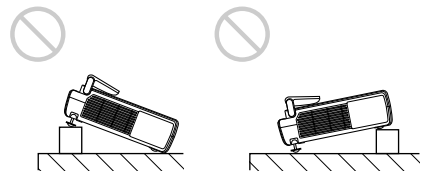
Do not use the projector under the following conditions.

Toppling the unit

Avoid using as the unit topples over on its side. It may cause malfunction.

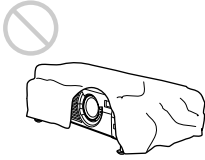


Tilting the unit out of the range of the adjuster setting



Do not install the unit other than on the floor. Avoid using when the unit is tilted out of the range of the adjuster setting. Such installation may cause malfunction.

Blocking the ventilation holes



Avoid using something to cover over the ventilation holes (exhaust/intake); otherwise, the internal heat may build up.

Specifications

Optical characteristics

Projection system	3 LCD panels, 1 lens, projection system
LCD panel	0.7-inch TFT LCD panel with micro-lens array, 2,359,296 pixels (786,432 pixels × 3)
Lens	1.2 times zoom lens f 28.4 to 34.0 mm/F 1.8 to 2.2
Lamp	120 W UHP
Projection picture size	Range: 40 to 150 inches (diagonal measure)
Light output	ANSI lumen ¹⁾ 1000 lm
Throwing distance	When the XGA signal is input 40-inch: 1593 to 1845 mm (62 ⁵ / ₈ to 72 ⁷ / ₈ inches) 60-inch: 2413 to 2789 mm (95 to 109 ⁷ / ₈ inches) 80-inch: 3232 to 3733 mm (127 ¹ / ₄ to 146 ⁷ / ₈ inches) 100-inch: 4051 to 4677 mm (159 ¹ / ₂ to 184 ³ / ₈ inches) 120-inch: 4870 to 5621 mm (191 ⁷ / ₈ to 221 ³ / ₈ inches) 150-inch: 6099 to 7037 mm (240 ¹ / ₄ to 277 ¹ / ₄ inches)

1) ANSI lumen is a measuring method of American National Standard IT 7.228.

Electrical characteristics

Color system	NTSC ^{3.58} /PAL/SECAM/ NTSC ^{4.43} /PAL-M/PAL-N system, switched automatically/ manually
Resolution	750 horizontal TV lines (Video input) 1,024 × 768 dots (RGB input)
Acceptable computer signals	fH: 19 to 92 kHz fV: 50 to 92 Hz
Speaker	Stereo speakers system, 28 mm (1 ¹ / ₈ inches) diameter, max. 0.5 W × 2

Other

Input/Output

Video input	VIDEO: phono type Composite video: 1 Vp-p ± 2 dB sync negative (75 ohms terminated) S VIDEO: Y/C mini DIN 4-pin type (male) Y (luminance): 1 Vp-p ± 2 dB sync negative (75 ohms terminated) C (chrominance): burst 0.286 Vp-p ± 2 dB (NTSC) (75 ohms terminated), burst 0.3 Vp-p ± 2 dB (PAL) (75 ohms terminated)
INPUT A	HD D-sub15-pin (female) Analog RGB/component: R/R-Y: 0.7 Vp-p ± 2 dB (75 ohms terminated) G: 0.7 Vp-p ± 2 dB (75 ohms terminated) G with sync/Y: 1 Vp-p ± 2 dB sync negative (75 ohms terminated) B/B-Y: 0.7 Vp-p ± 2 dB (75 ohms terminated) SYNC/HD: Composite sync input: 1-5 Vp-p high impedance, positive/ negative Horizontal sync input: 1-5 Vp-p high impedance, positive/ negative VD: Vertical sync input: 1-5 Vp-p high impedance, positive/ negative
AUDIO	Stereo minijack 500 mVrms, impedance more than 47 kilohms
USB hub	Up (female) \times 1
Safety regulations	UL60950, cUL (CSA No. 60950), FCC Class B, IC Class B, NEMKO (EN60950), CE (LVD, EMC), C-Tick

General

Dimensions	275 \times 65 \times 214 mm (10 ⁷ / ₈ \times 2 ⁵ / ₈ \times 8 ¹ / ₂ inches) (w/h/d) (with the front cover closed, without the projection parts)
Mass	Approx. 2.4 kg (5 lb 5 oz)
Power requirements	AC 100 to 240 V, 1.9–0.8A, 50/60 Hz
Power consumption	Max. 190 W (Standby mode: 5 W)
Heat dissipation	648.4 BTU
Operating temperature	0°C to 35°C (32°F to 95°F)
Operating humidity	35% to 85% (no condensation)
Storage temperature	–20°C to 60°C (–4°F to 140°F)
Storage humidity	10% to 90%
Supplied accessories	Remote Commander RM-PJM11 (1) Size AA (R6) batteries (2) HD D-sub 15 pin cable (2 m) (1) (1-791-992-21) USB cable A type - B type (1) (1-790-081-31) CD-ROM (Application software) (1) Carrying case (1) AC power cord (1) Air filter (for replacement) (1) Operating Instructions (1) Quick Reference Card (1) Ferrite core (1)

Design and specifications are subject to change without notice.

Optional accessories

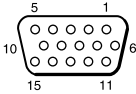
Projector Lamp	LMP-C121 (for replacement)
Signal Cable	SMF-402 (HD D-sub 15-pin (male) ↔ 3 × phono type (male))
Screens	50-inch Portable Screen VPS-50C ¹⁾ 100-inch Flat Screen VPS-100FH

Some of the items may not be available in some areas. For details, please consult your nearest Sony office.

1) VPS-50C may not be available in some areas. For details, please consult your nearest Sony office.

Pin assignment

INPUT A connector (HD D-sub 15-pin, female)



1	R/R-Y	9	N.C.
2	G/Y	10	GND
3	B/B-Y	11	GND
4	GND	12	DDC/SDA
5	GND	13	HD/C.Sync
6	GND (R)	14	VD
7	GND (G)	15	DDC/SCL
8	GND (B)		

Input signals and adjustable/setting items

PICTURE CTRL menu

Item	Input signal				
	Video or S video (Y/C)	Component	Video GBR	Computer	B&W
CONTRAST	●	●	●	●	●
BRIGHT	●	●	●	●	●
COLOR	●	●	●	–	–
HUE	● (NTSC 3.58/4.43 only)	●	●	–	–
SHARP	●	●	●	–	●
RGB ENHANCER	–	–	–	●	–
D. PICTURE	●	●	●	–	●
GAMMA MODE	–	–	●	●	–
COLOR TEMP	●	●	●	●	●
COLOR SYS	●	–	–	–	●
VOLUME	●	●	●	●	●

● : Adjustable/can be set
– : Not adjustable/cannot be set

INPUT SETTING menu

Item	Input signal				
	Video or S video (Y/C)	Component	Video GBR	Computer	B&W
DOT PHASE	–	–	–	●	–
SIZE H	–	–	–	●	–
SHIFT	●	●	●	●	●
SCAN CONV	–	–	–	● (lower than SVGA)	–
ASPECT	●	●	●	–	●

● : Adjustable/can be set
– : Not adjustable/cannot be set

Other

Preset signals

Memory No.	Preset signal		fH (kHz)	fV (Hz)	Sync	SIZE
1	Video 60 Hz		15.734	59.940		
2	Video 50 Hz		15.625	50.000		
3	15k RGB/Component 60 Hz		15.734	59.940	S on G/Y or Composite Sync	
4	15k RGB/Component 50 Hz		15.625	50.000	S on G/Y or Composite Sync	
6	640 × 350	VGA mode 1	31.469	70.086	H-pos, V-neg	800
7		VGA VESA 85 Hz	37.861	85.080	H-pos, V-neg	832
8	640 × 400	PC-9801 Normal	24.823	56.416	H-neg, V-neg	848
9		VGA mode 2	31.469	70.086	H-neg, V-pos	800
10		VGA VESA 85 Hz	37.861	85.080	H-neg, V-pos	832
11	640 × 480	VGA mode 3	31.469	59.940	H-neg, V-neg	800
12		Macintosh 13"	35.000	66.667	H-neg, V-neg	864
13		VGA VESA 72 Hz	37.861	72.809	H-neg, V-neg	832
14		VGA VESA 75 Hz	37.500	75.000	H-neg V-neg	840
15		VGA VESA 85 Hz	43.269	85.008	H-neg V-neg	832
16	800 × 600	SVGA VESA 56 Hz	35.156	56.250	H-pos, V-pos	1024
17		SVGA VESA 60 Hz	37.879	60.317	H-pos, V-pos	1056
18		SVGA VESA 72 Hz	48.077	72.188	H-pos, V-pos	1040
19		SVGA VESA 75 Hz	46.875	75.000	H-pos, V-pos	1056
20		SVGA VESA 85 Hz	53.674	85.061	H-pos, V-pos	1048
21	832 × 624	Macintosh 16"	49.724	74.550	H-neg, V-neg	1152
22	1024 × 768	XGA VESA 43 Hz	35.522	43.479	H-pos, V-pos	1264
23		XGA VESA 60 Hz	48.363	60.004	H-neg V-neg	1344
24		XGA VESA 70 Hz	56.476	70.069	H-neg V-neg	1328
25		XGA VESA 75 Hz	60.023	75.029	H-pos, V-pos	1312
26		XGA VESA 85 Hz	68.677	84.997	H-pos, V-pos	1376
27	1152 × 864	SXGA VESA 70 Hz	63.995	70.016	H-pos, V-pos	1472
28		SXGA VESA 75 Hz	67.500	75.000	H-pos, V-pos	1600
29		SXGA VESA 85 Hz	77.487	85.057	H-pos, V-pos	1568
30	1152 × 900	Sunmicro LO	61.795	65.960	H-neg, V-neg	1504
31		Sunmicro HI	71.713	76.047	H-neg, V-neg	1472
32	1280 × 960	SXGA VESA 60 Hz	60.000	60.000	H-pos, V-pos	1800
33		SXGA VESA 75 Hz	75.000	75.000	H-pos, V-pos	1728

Memory No.	Preset signal		fH (kHz)	fV (Hz)	Sync	SIZE
34	1280 × 1024	SXGA VESA 43 Hz	46.433	43.436	H-pos, V-pos	1696
35		SGL-5	53.316	50.062	S on G	1680
36		SXGA VESA 60 Hz	63.974	60.013	H-pos, V-pos	1696
37		SXGA VESA 75 Hz	79.976	75.025	H-pos, V-pos	1688
38		SXGA VESA 85 Hz	91.146	85.024	H-pos, V-pos	1296

Note

- When a signal other than the preset signals shown above is input, the picture may not appear properly.

Warning on power connection

Use a proper power cord for your local power supply.

	The United States, Canada	Continental Europe	UK	Australia	Japan
Plug type	YP-11	YP-21	SP-61	B8	YP-13
Female end	YC-13L	YC-13L	YC-13L	C7-2	YC-13L
Cord type	SPT-2	H03VVH2-F	H03VVH2-F	H03VVH2-F	VFF
Rated Voltage & Current	10A/125V	2.5/250V	2.5A/250V	2.5A/250V	7A/125V
Safety approval	UL/CSA	VDE	BS	SAA	DENAN

Other

Index

A

- Adjuster 10
- Adjusting
 - memory of the settings 25
 - the picture 22, 26
 - the picture size/shift ... 28
- Air filter 32
- ASPECT 28
- AUTO INPUT SEL 29

B

- BRIGHT 26

C

- COLOR 26
- COLOR SYS (System) .. 27
- COLOR TEMP 26
- Connections
 - component equipment 17
 - computer 15
 - VCR 17
- CONTRAST 26

D

- D. (Dynamic) PICTURE 26
- Digital Zoom function 24
- DOT PHASE 27

G

- GAMMA MODE 26

H

- HUE 26

I

- INPUT A connector 11
 - pin assignment 39
- INPUT SETTING menu 27
- INPUT-A 29
- INSTALL SETTING
 - Menu 30
- Installation examples 14
 - notes 36
 - unsuitable conditions .. 36
 - unsuitable installation . 36

L

- Lamp replacement 31
- LANGUAGE 29
 - selecting the menu
 - language 19
- Location and function of controls
 - connector panel 11
 - control panel 10
 - front/side/bottom 8
 - rear/left side 8
 - Remote Commander .. 12

M

- Menu
 - clearing the menu
 - display 25
 - INPUT SETTING
 - menu 27
 - PICTURE CTRL
 - menu 26
 - SET SETTING menu . 29
 - using the menu 25
 - MENU BACKGRND 30
 - MENU COLOR 30
 - MENU POSITION 30
- Message
 - caution 35
 - warning 35

O

- Optional accessories 39

P

- PICTURE CTRL menu .. 26
- Pin assignment 39
- Power
 - turn on 21
- POWER SAVING 8, 29
- Precautions 6

R

- Remote Commander 12
 - location and function of controls 12
- Remote control detector
 - front 8
 - rear 9

Reset

- resettable items 25
- resetting the item 25
- RGB ENHANCER 26

S

- SCAN CONV (Scan converter) 28
- Screen size 14, 37
- SET SETTING menu 29
- SHARP 26
- SHIFT 28
- SIZE H 28
- Specifications 37
- STATUS (on-screen display) 29
- Supplied accessories 38

T

- Troubleshooting 33

U

- USB connector 11, 16

V

- Ventilation holes
 - exhaust 9
 - intake 9
- VOLUME 27

AVERTISSEMENT

Afin d'éviter tout risque d'incendie ou d'électrocution, n'exposez pas cet appareil à la pluie ou à l'humidité.

Afin d'éviter tout risque d'électrocution, n'ouvrez pas le châssis. Confiez l'entretien uniquement à un personnel qualifié.

Pour les utilisateurs au Canada

Cet appareil numérique de la classe B est conforme à la norme NMB-003 du Canada.

La prise doit être près de l'appareil et facile d'accès.
--

Table des matières

Généralités

Précautions	4
Caractéristiques	5
Emplacement et fonction des commandes	7
Avant/Côté/Bas	7
Arrière/Côté gauche	7
Panneau de commande	10
Panneau des connecteurs	10
Télécommande	11

Installation et projection

Installation du projecteur	14
Raccordement du projecteur	15
Raccordement à un ordinateur	15
Raccordement à un magnétoscope ou un appareil RVB 15k/ à composantes	17
Sélection de la langue de menu	19
Projection	21
Des outils efficaces pour vos présentations	24

Réglages à l'aide du menu

Utilisation du MENU	25
Le menu CTRL IMAGE	26
Le menu REGL ENTREE	27
Le menu REGLAGE	30
Le menu REGL. INSTAL.	31

Entretien

Entretien	32
Remplacement de la lampe	32
Nettoyage du filtre à air	33
Dépannage	35
Messages d'avertissement	37
Messages de précaution	37

Divers

Remarques sur l'installation	38
Installation déconseillée	38
Positions déconseillées	39
Spécifications	39
Index	44

FR

Précautions

Sécurité

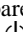
- Assurez-vous que la tension de service de votre appareil est identique à la tension secteur locale.
- Si du liquide ou un objet quelconque venait à pénétrer dans le châssis, débranchez l'appareil et faites-le vérifier par un technicien qualifié avant de le remettre en service.
- Débranchez l'appareil de la prise murale si vous n'avez pas l'intention d'utiliser le projecteur pendant plusieurs jours.
- Pour débrancher le cordon, saisissez-le par la fiche. Ne tirez jamais sur le cordon proprement dit.
- La prise murale doit se trouver à proximité de l'appareil et être facile d'accès.
- L'appareil n'est pas déconnecté de la source d'alimentation (secteur) tant qu'il reste branché à la prise murale, même s'il a été mis hors tension.
- Ne regardez pas vers l'objectif lorsque la lampe est allumée.
- Ne placez pas la main ou d'autres objets à proximité des orifices de ventilation. L'air expulsé est brûlant.
- Veillez à ne pas vous coincer les doigts dans le support réglable lorsque vous réglez la hauteur du projecteur. Ne poussez pas trop fort sur le dessus du projecteur lorsque le support réglable est abaissé.

Eclairage

- Pour obtenir la meilleure qualité d'image possible, l'avant de l'écran ne doit pas être directement exposé à la source d'éclairage ni au rayonnement solaire.
- Nous préconisons un éclairage au moyen de spots fixés au plafond. Placez un écran sur les lampes fluorescentes de façon à éviter une altération du niveau de contraste.
- Occultez les fenêtres qui font face à l'écran au moyen de rideaux opaques.
- Il est préférable d'installer le projecteur dans une pièce où le sol et les murs ne sont pas revêtus d'un matériau réfléchissant la

lumière. Si le sol et les murs réfléchissent la lumière, nous vous recommandons de remplacer le revêtement du sol et des murs par une couleur sombre.

Prévention de la surchauffe interne

Après avoir mis l'appareil hors tension au moyen de la touche I / , ne débranchez pas l'appareil de la prise secteur tant que le ventilateur de refroidissement tourne.

Attention

Le projecteur est équipé d'orifices de ventilation (prise d'air) et d'orifices de ventilation (sortie d'air). N'obstruez pas ces orifices et ne placez rien à proximité car vous risqueriez de provoquer une surchauffe interne pouvant entraîner une altération de l'image ou des dommages au projecteur.

Nettoyage

- Pour conserver au châssis l'éclat du neuf, nettoyez-le régulièrement au moyen d'un chiffon doux. Pour éliminer les taches récalcitrantes, employez un chiffon légèrement imprégné d'une solution détergente neutre. N'utilisez en aucun cas des solvants puissants tels que du diluant, du benzène ni d'agents nettoyants abrasifs dans la mesure où ces produits risquent d'endommager la fini du châssis.
- Ne touchez pas l'objectif. Pour dépoussiérer l'objectif, employez un chiffon doux et sec. N'utilisez pas de chiffon humide, de solution détergente ni de diluant.
- Nettoyez le filtre à intervalles réguliers.

Emballage

- Conservez le carton d'emballage et les matériaux de conditionnement d'origine, car ils constituent une protection idéale si vous êtes amené à transporter l'appareil. Pour une protection optimale, remballer votre appareil comme il a été emballé à l'origine en usine.

Projecteur LCD

- Le projecteur LCD est fabriqué selon une technologie de fabrication de haute précision. Il est cependant possible que de

petits points noirs ou lumineux (rouges, bleus ou verts) apparaissent sur le projecteur LCD. Ceci est un résultat normal du processus de fabrication et n'indique pas un mauvais fonctionnement de l'appareil.

Caractéristiques

Facilité de transport

- **Légereté/compacité/simplicité de forme**

Ce projecteur ne pèse qu'environ 2,4 kg (5 lb 5 oz) et ne dépasse pas le format de document B5.

Lorsque le couvercle avant portant les fonctions de commande est fermé, la forme du châssis du projecteur est très simple.

Vous pouvez l'emporter aisément avec votre ordinateur.

Silence de fonctionnement

Grâce à son mécanisme de refroidissement spécifique à Sony, l'appareil fonctionne en silence.

Luminosité élevée, haute qualité d'image

- **Luminosité élevée**

L'adoption d'un système optique à haut rendement et de la lampe 120 W UHP autorise une haute luminosité (intensité lumineuse : 1000 ANSI lumen) et une excellente uniformité de l'image.

- **Haute définition**

Utilisant trois panneaux XGA de 0,7 pouce et de 790 000 pixels, ce projecteur offre une résolution de 1024 × 768 points pour l'entrée RVB et de 750 lignes TV horizontales pour l'entrée vidéo.

Présentation simplifiée

- **Installation simplifiée avec un appareil externe**

Ce projecteur est pré-réglé pour 37 types de signaux d'entrée. Vous pouvez projeter les images d'une source de signal extérieure en raccordant l'équipement concerné avec le câble fourni et en appuyant sur la touche APA.

- **Compatible avec la fonction de hub USB (Universal Serial Bus)**

Vous pouvez raccorder de l'équipement USB (p. ex. une souris USB) au projecteur et utiliser la télécommande fournie aussi bien que la souris sans fil, en vous raccordant à l'ordinateur avec le câble USB. Vous pouvez également commander

le projecteur au moyen d'un logiciel d'application (CD-ROM) fourni avec le projecteur depuis un ordinateur tournant sous Windows 98, Windows 98 SE, Windows ME ou Windows 2000.

Grâce à ce logiciel d'application, vous pouvez ouvrir le fichier que vous voulez utiliser pour votre présentation au moyen de la télécommande fournie.

- **Télécommande facile d'emploi**

La télécommande est munie de plusieurs touches commodes, comme la touche D ZOOM pour effectuer un zoom sur l'image, la touche FREEZE pour conserver l'image projetée même après le débranchement de l'appareil, la touche D KEYSTONE pour corriger la distorsion trapézoïdale de l'image.

Compatible avec différents signaux d'entrée

- **Convertisseur de balayage chargé**

Ce projecteur incorpore un convertisseur de balayage qui convertit le signal d'entrée dans les limites de 1024×768 points.

- **Signaux d'entrée compatibles**

Ce projecteur accepte les signaux vidéo composites, S vidéo et à composantes, ainsi que les signaux VGA, SVGA, XGA et SXGA, qui peuvent tous être affichés.

- **Compatible avec six systèmes couleur**

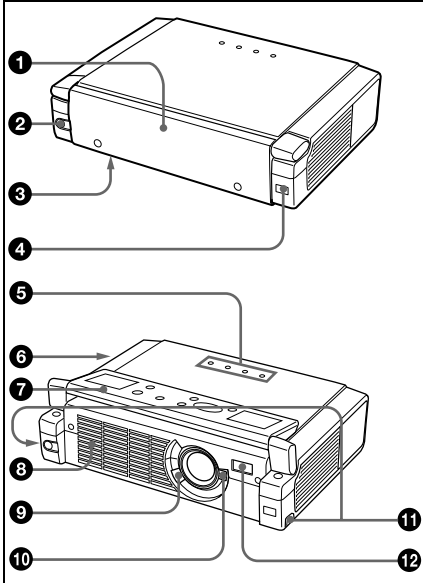
Les systèmes couleur NTSC, PAL, SECAM, NTSC^{4.43}¹⁾, PAL-M ou PAL-N peuvent être sélectionnés automatiquement ou manuellement.

1) NTSC^{4.43} est le système couleur utilisé lors de la reproduction d'enregistrements vidéo réalisés en NTSC sur un magnétoscope NTSC^{4.43}.

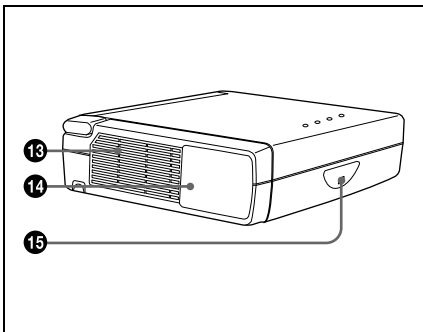
-
- Windows est une marque déposée de Microsoft Corporation déposée aux États-Unis et/ou dans d'autres pays.
 - VGA, SVGA, XGA et SXGA sont des marques déposées de International Business Machines Corporation, U.S.A.
 - Macintosh est une marque déposée de Apple Computer, Inc.
 - IBM PC/AT est une marque déposée de International Business Machines Corporation, États-Unis.
 - VESA est une marque déposée de Video Electronics Standard Association.
 - Display Data Channel est une marque de Video Electronics Standard Association.
 - PC-98 est une marque de NEC Corporation.

Emplacement et fonction des commandes

Avant/Côté/Bas



Arrière/Côté gauche



1 Couvercle avant

Appuyez sur le bouton OPEN pour ouvrir le couvercle avant.

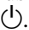
2 Bouton OPEN


3 Couvercle de lampe (bas)


4 Capteur de télécommande avant (récepteur SIRCS)

5 Indicateurs

- **LAMP/COVER** : S'allume ou clignote dans les conditions suivantes :
 - S'allume lorsque la lampe a atteint la fin de sa durée de vie ou une température élevée.
 - Clignote lorsque le couvercle de la lampe ou le couvercle du filtre à air n'est pas correctement fixé.
- **TEMP (température)/FAN** : S'allume ou clignote dans les conditions suivantes :
 - S'allume lorsque la température à l'intérieur du projecteur devient anormalement élevée.
 - Clignote lorsque le ventilateur est défectueux.
- **POWER SAVING** : S'allume lorsque le projecteur est en mode d'économie d'énergie. Lorsque MODE ECO dans le menu REGLAGE est mis sur ON, le projecteur passe en mode d'économie d'énergie si aucun signal n'est entré pendant 10 minutes. Bien que la lampe s'éteigne, le ventilateur de refroidissement continue de tourner. En mode d'économie d'énergie, aucune des touches ne fonctionne pendant les 60 premières secondes. Le mode d'économie d'énergie est désactivé dès qu'un signal est entré ou qu'une touche est actionnée.
- **ON/STANDBY** : S'allume ou clignote dans les conditions suivantes :
 - S'allume en rouge lorsque le cordon d'alimentation secteur est branché à une prise murale. Lorsque le projecteur se trouve en mode de

veille, vous pouvez le mettre sous tension à l'aide de la touche I / .

- S'allume en vert lorsque le projecteur est sous tension.
- Clignote en vert tant que le ventilateur de refroidissement tourne après la mise hors tension à l'aide de la touche I / . Le ventilateur tourne pendant environ 90 secondes après la mise hors tension.

L'indicateur ON/STANDBY clignote rapidement pendant les 60 premières secondes. Pendant ce temps, vous ne pouvez pas allumer l'indicateur ON/STANDBY à l'aide de la touche I / .

Pour plus de détails sur les indicateurs LAMP/COVER et TEMP/FAN, voir pages 36, 37.

6 Serrure de sécurité (côté droit)

Branchez-y le câble de sécurité en option (Kensington).

La serrure Kensington est conforme au système de sécurité MicroSaver[®] Kensington.

Pour obtenir plus d'informations, contactez

Kensington
2855 Campus Drive, San Mateo,
CA 94403

En Amérique du nord
Téléphone: 800-235-6708
Télécopie: 800-247-1317

En dehors de l'Amérique du nord
Téléphone: 847-541-9500

Site Internet:
<http://www.kensington.com/>

7 Panneau de commande

Pour plus de détails, voir "Panneau de commande" en page 10.

8 Orifices de ventilation (sortie d'air)

9 Levier de mise au point

Ajuste la mise au point de l'image.

10 Levier de zoom

Ajuste la taille de l'image.

11 Touches d'ajustement de support réglable

Pour plus de détails, voir "Utilisation du support réglable" en page 9

12 Prise AC IN

Branchez-y le cordon d'alimentation secteur fourni.

13 Orifices de ventilation (prise d'air/couvercle de filtre à air)

Remarques

- **Ne placez rien à proximité des orifices de ventilation sous peine de provoquer une surchauffe interne.**
- **Ne placez pas les mains ou des objets à proximité des orifices de ventilation, car l'air ne pouvant plus sortir risque d'entraîner une surchauffe interne.**
- Pour assurer des performances optimales, **nettoyez le filtre à air toutes les 300 heures.**

14 Panneau des connecteurs

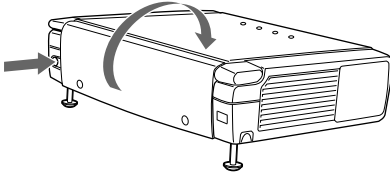
Pour plus de détails, voir "Panneau des connecteurs" en page 10.

15 Capteur de télécommande arrière (récepteur SIRCS)

Ouverture/fermeture du couvercle avant

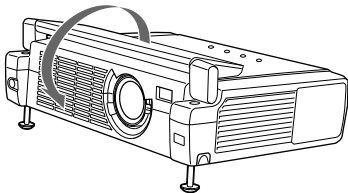
Pour ouvrir le couvercle avant

Appuyez sur la touche OPEN.
Ouvrez le couvercle avant et posez-le sur le panneau supérieur du projecteur.



Pour fermer le couvercle avant

Refermez le couvercle avant à la main.



Remarque

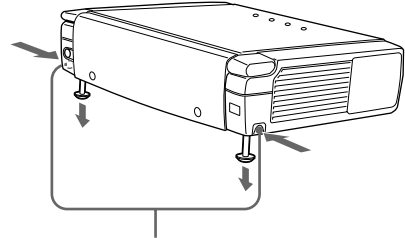
Ne pas incliner le projecteur en dehors des limites du support réglable avant d'ouvrir le couvercle avant. **Si le projecteur est trop incliné, le couvercle avant s'ouvre rapidement ou lentement.**

Utilisation du support réglable

Pour régler la hauteur

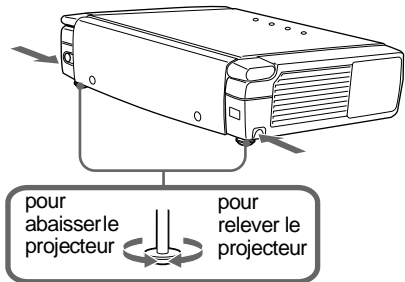
Réglez la hauteur du projecteur comme suit :

- 1 Soulevez le projecteur et appuyez sur les touches de réglage de support réglable.
Les supports sortent du projecteur.



Touches de réglage de support réglable

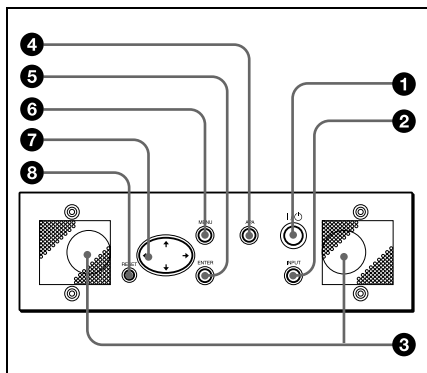
- 2 Tout en appuyant sur les touches, baissez le projecteur. Puis relâchez les touches. Pour un réglage fin, tourner les supports vers la droite ou la gauche.



Remarques

- Attention à ne pas laisser tomber le projecteur sur vos doigts.
- Ne poussez pas trop fort sur le dessus du projecteur lorsque les supports réglables sont abaissés.
Risque d'endommager le projecteur.

Panneau de commande



1 Touche I / ⏻ (marche/veille)

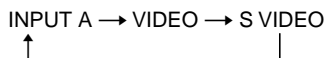
Met le projecteur sous/hors tension lorsque le projecteur est en mode de veille. L'indicateur ON/STANDBY s'allume en vert lorsque l'appareil est sous tension.

Lorsque vous mettez l'appareil hors tension, appuyez deux fois sur la touche I / ⏻ en suivant les instructions sur l'écran, ou appuyez sur la touche et maintenez-la pendant environ 1 seconde.

Pour plus de détails sur la marche à suivre pour mettre l'appareil hors tension, voir "Pour mettre le projecteur hors tension" en page 23.

2 Touche INPUT

Sélectionne le signal d'entrée. A chaque fois que vous appuyez sur cette touche, le signal d'entrée change comme suit :



3 Haut-parleurs

4 Touche APA (alignement automatique des pixels)

Règle une image à projeter le plus nettement possible de manière automatique lorsqu'un signal de l'ordinateur est reçu.

5 Touche ENTER

Confirme la saisie des réglages de paramètres dans le menu système.

6 Touche MENU

Affiche l'écran de menu. Appuyez à nouveau sur cette touche pour désactiver le menu.

7 Touches fléchées (↑/↓/←/→)

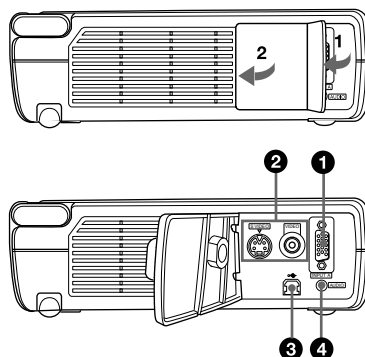
Sert à sélectionner le menu ou à procéder à différents réglages.

8 Touche RESET

Restaure la valeur de réglage par défaut d'un paramètre. Cette touche est opérante lorsque le menu ou un paramètre de réglage est affiché à l'écran.

Panneau des connecteurs

Côté gauche



1 Connecteur INPUT A (HD D-sub à 15 broches, femelle)

Raccordez-le à un appareil externe comme un ordinateur.

Raccordez-le à la sortie moniteur d'un ordinateur à l'aide du câble fourni. Pour entrer un signal à composantes ou RVB 15k, utilisez le câble en option.

2 Connecteur d'entrée vidéo

Raccordez-le à un appareil vidéo externe comme un magnétoscope.

- **VIDEO (type phono) :** Raccordez-le à la sortie vidéo composite d'un appareil vidéo.
- **S VIDEO (mini DIN 4 broches) :** Se raccorde à la sortie du signal S Vidéo (sortie Y/C) d'un équipement vidéo.

③ Connecteur USB (fiche USB pour réception de données, 4 broches)

Raccordez-le à un connecteur USB d'un ordinateur. Lorsque vous raccordez le projecteur à l'ordinateur, vous pouvez commander la fonction de souris avec la télécommande fournie. Le logiciel d'application fourni peut être installé dans un ordinateur raccordé à ce connecteur.

④ Connecteur AUDIO (miniprise stéréo)

Si vous écoutez le son émis par l'ordinateur, raccordez-le à la sortie audio de l'ordinateur.

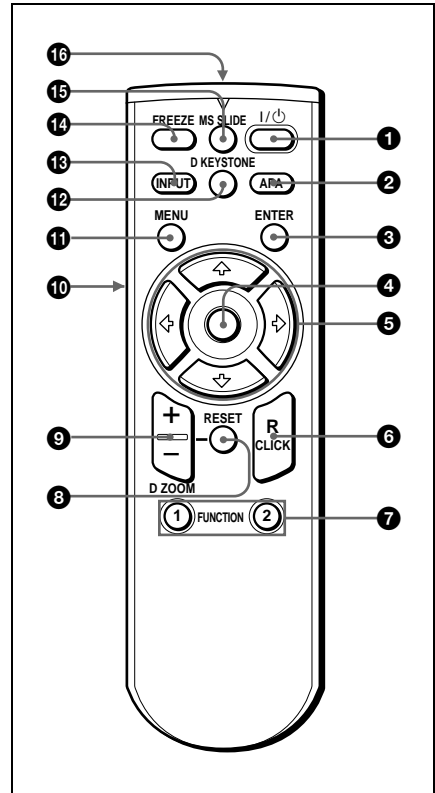
Si vous écoutez le son émis par le magnétoscope, raccordez-le à la sortie audio du magnétoscope.

Télécommande

Les touches portant le même nom que sur le panneau de commande remplissent la même fonction.

Vous pouvez commander un ordinateur connecté au moyen de la télécommande.

Pour plus de détails, voir "Pour commander l'ordinateur à l'aide de la télécommande fournie" en page 22.



- ① Touche I / ⏻
- ② Touche APA (alignement automatique des pixels)
- ③ Touche ENTER
- ④ Manette de commande
Fonctionne comme la souris d'un ordinateur raccordé à l'appareil.

5 Touches fléchées (↑/↓/←/→)

6 Touche R CLICK

Fonctionne comme le bouton droit de la souris.

7 Touches FUNCTION 1, 2

Ces touches fonctionnent lorsque le logiciel d'application est utilisé.

Lorsque vous raccordez le projecteur à un ordinateur, vous pouvez ouvrir un fichier à l'écran en appuyant simplement sur la touche FUNCTION. Ceci augmente l'impact de votre présentation. Pour utiliser cette fonction, affectez un fichier à la touche FUNCTION à l'aide du logiciel d'application.

Pour plus de détails, reportez-vous au fichier README et au fichier HELP accompagnant le logiciel d'application.

8 Touche RESET

Restaure la valeur d'un élément à sa valeur d'usine ou la taille d'une image à sa taille d'origine.

9 Touche D ZOOM +/-

Agrandit l'image à un emplacement désiré de l'écran.

+ : Appuyez une fois sur la touche + pour faire apparaître l'icône. Cette icône indique le point que vous souhaitez agrandir. Utilisez une touche fléchée (↑/↓/←/→) pour déplacer l'icône sur le point à agrandir. Appuyez sur la touche + plusieurs fois de suite, jusqu'à ce que l'image soit agrandie comme vous le souhaitez.

- : Appuyez sur la touche - pour réduire une image qui a été élargie avec la touche D ZOOM +.

10 Touche L CLICK

Fonctionne comme le bouton gauche de la souris.

11 Touche MENU

12 Touche D KEYSTONE

Sert à régler la distorsion trapézoïdale de l'image qui peut se produire selon l'angle du projecteur. Utilisez une touche fléchée (↑/↓/←/→) pour équerre l'image.

13 Touche INPUT

14 Touche FREEZE

Sert à geler l'image projetée. Pour annuler l'image gelée, appuyez de nouveau sur la touche.

15 Touche MS SLIDE

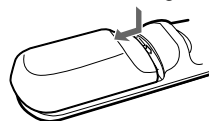
Cette touche n'active rien sur cet appareil.

16 Emetteur infrarouge

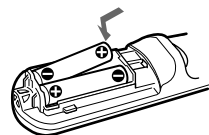
Pose des piles

- 1 Pour ouvrir le couvercle, poussez-le et faites-le glisser, puis posez les deux piles AA (R6) (fournies) avec la correcte polarité.

Tout en appuyant sur le couvercle, le faire glisser.



Veillez à placer les piles en commençant par le côté ⊖.



- 2 Remettez le couvercle en place.

Remarques sur les piles

- Veillez à orienter les piles dans le bon sens lorsque vous les installez dans la télécommande.
- N'utilisez pas en même temps des piles neuves et des piles usagées, ni des piles de types différents.

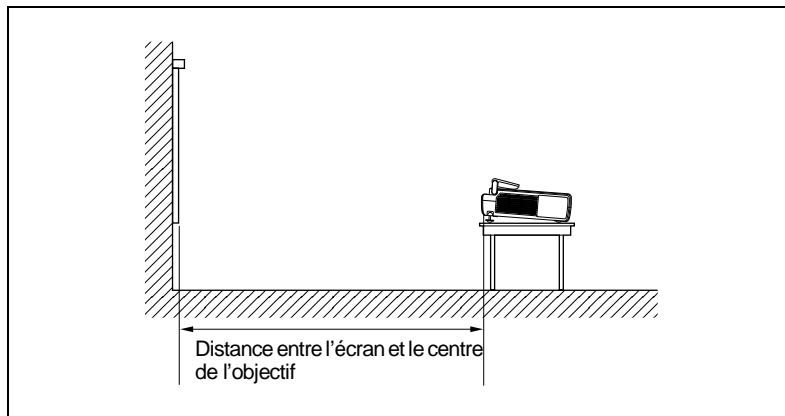
- Si vous prévoyez de ne pas utiliser la télécommande pendant une période prolongée, ôtez les piles de façon à éviter tout dommage causé par une fuite des piles. Si une pile a fuit, retirez les piles, nettoyez et séchez le compartiment à piles et remplacez les piles par des neuves.

Remarques sur l'utilisation de la télécommande

- Assurez-vous qu'aucun obstacle ne perturbe la transmission du faisceau infrarouge entre la télécommande et le capteur de télécommande du projecteur. Pointez la télécommande vers le capteur de télécommande avant ou arrière.
- La portée de la télécommande est limitée. Plus la distance qui sépare la télécommande du projecteur est courte, plus le champ de commande du projecteur par la télécommande est important.

Installation du projecteur

Cette section explique comment installer le projecteur.
La distance entre l'objectif et l'écran varie suivant la taille de l'écran. Utilisez le tableau suivant comme guide de référence.



Unité : m (pieds)

Taille d'écran (pouces)	40	60	80	100	120	150
Distance minimale	1,6 (5,2)	2,4 (7,9)	3,2 (10,6)	4,1 (13,3)	4,9 (16,0)	6,1 (20,0)
Distance maximale	1,9 (6,1)	2,8 (9,2)	3,7 (12,2)	4,7 (15,4)	5,6 (18,4)	7,0 (23,1)

Remarque

Vous ne pouvez pas installer le projecteur à l'envers, par exemple au plafond.

Raccordement du projecteur

Pour le raccordement du projecteur, se reporter aux illustrations des pages suivantes :

- Mettez tous les appareils hors tension avant tout raccordement.
- Utilisez les câbles appropriés pour chaque raccordement.
- Branchez correctement les fiches des câbles; des fiches incomplètement enfichées sont souvent à l'origine de parasites. Pour débrancher un câble, saisissez-le par la fiche, ne tirez pas sur le câble proprement dit.

Raccordement à un ordinateur

Cette section explique comment raccorder le projecteur à un ordinateur. Pour plus d'informations, se reporter au mode d'emploi de l'ordinateur.

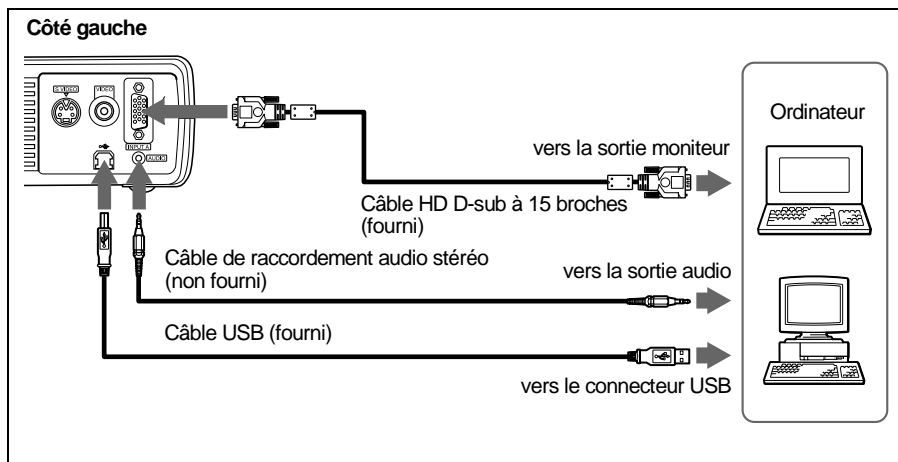
Remarques

- Le projecteur accepte les signaux VGA, SVGA, XGA et SXGA. Toutefois, nous vous recommandons de régler le mode de sortie de votre ordinateur sur XGA pour le moniteur externe.
- Si vous réglez votre ordinateur, un portable par exemple, pour qu'il sorte le signal sur l'écran de l'ordinateur et le moniteur externe, l'image peut ne pas apparaître correctement sur le moniteur externe. En pareil cas, réglez votre ordinateur pour sortir le signal vers le moniteur externe uniquement.
Pour plus de détails, reportez-vous au mode d'emploi fourni avec votre ordinateur.
- Ce projecteur est compatible avec DDC2B (Digital Data Channel 2B). Si votre ordinateur est compatible avec DDC, mettez le projecteur sous tension en procédant comme suit.

- 1 Raccordez le projecteur à l'ordinateur à l'aide du câble HD D-sub à 15 broches fourni.
- 2 Mettez le projecteur sous tension.
- 3 Démarrez l'ordinateur.

Raccordement à un ordinateur compatible IBM PC/AT

Si vous utilisez une souris sans fil



A propos de la fonction USB

Lors du premier raccordement du projecteur à un ordinateur à l'aide du câble USB, l'ordinateur reconnaît automatiquement les périphériques suivants.

- 1 Hub USB (usage général)
- 2 Périphérique d'interface humaine USB (fonction de souris sans fil)
- 3 Périphérique d'interface humaine USB (fonction de commande de projecteur)

Système d'exploitation recommandé

Si vous utilisez la fonction USB, branchez votre ordinateur comme illustré ci-dessus. Ce logiciel d'application et la fonction USB peuvent être utilisés sur un ordinateur équipé des modèles de pré-installation Windows 98, Windows 98 SE, Windows ME ou Windows 2000.

Remarques

- Il se peut que votre ordinateur ne démarre pas correctement lorsqu'il est raccordé au projecteur via le câble USB. Dans ce cas, déconnectez le câble USB, redémarrez l'ordinateur, puis raccordez l'ordinateur au projecteur en utilisant le câble USB.
- Ce projecteur ne garantit pas le mode de veille. Lorsque vous utilisez le projecteur en mode de veille, déconnectez le projecteur du port USB de l'ordinateur.
- Le fonctionnement n'est pas garanti pour tous les systèmes d'exploitation recommandés.

Raccordement à un ordinateur Macintosh

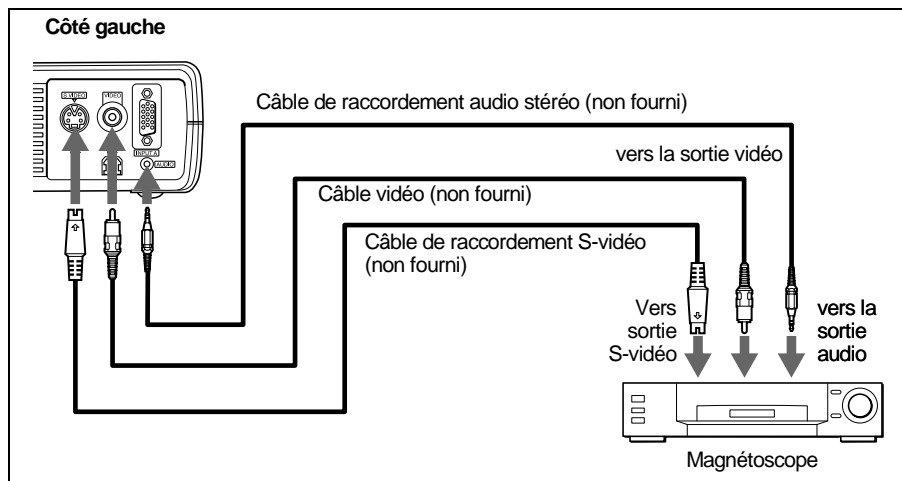
Pour raccorder un ordinateur Macintosh équipé d'un connecteur de sortie vidéo de type à deux rangées de broches, utilisez un adaptateur de fiche du commerce. Dans ce cas, toutefois, vous ne pouvez pas commander la souris de l'ordinateur à l'aide de la télécommande.

Raccordement à un magnétoscope ou un appareil RVB 15k/à composantes

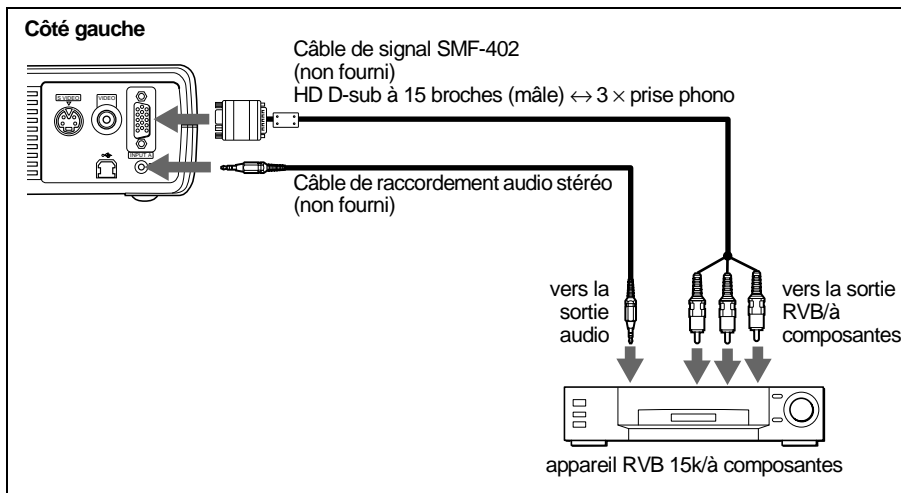
Cette section décrit comment raccorder le projecteur à un magnétoscope et à un appareil RVB 15k/à composantes.

Pour plus d'informations, reportez-vous au mode d'emploi de l'appareil que vous raccordez.

Raccordement à un magnétoscope



Raccordement à un appareil RVB 15k/à composantes

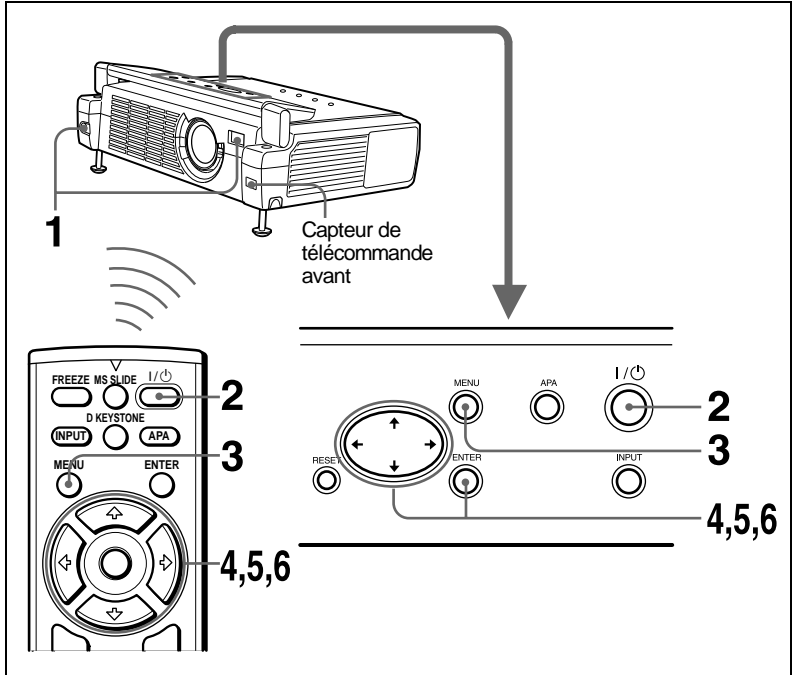


Remarques

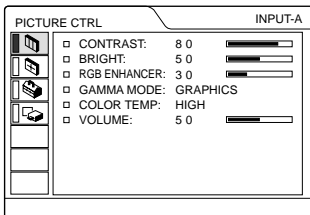
- Réglez le format de l'image à l'aide du paramètre **FORMAT** dans le menu **REGL. ENTREE** en fonction du signal entré.
- Lors du raccordement du projecteur à un appareil vidéo RVB 15k/à composantes, sélectionnez le signal **GBR vidéo** ou à composantes au moyen de **ENT. A** dans le menu **REGLAGE**.
- Utilisez le signal de synchronisation composite lorsque vous entrez le signal de synchronisation externe d'un appareil RVB 15k/à composantes.

Sélection de la langue de menu

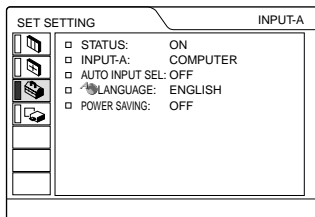
Vous pouvez sélectionner l'une des neuf langues de menu et d'affichage sur écran. Le réglage par défaut est l'anglais.



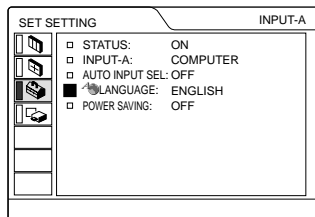
- 1 Ouvrez le couvercle avant, puis branchez le cordon d'alimentation secteur à la prise murale.
- 2 Appuyez sur la touche I / O pour mettre le projecteur sous tension.
- 3 Appuyez sur la touche MENU.
Le menu apparaît.
Le menu actuellement sélectionné est indiqué par un bouton jaune.



- 4 Appuyez sur la touche **↑** ou **↓** pour sélectionner le menu SET SETTING, puis appuyez sur la touche **→** ou ENTER. Le menu sélectionné apparaît.



- 5 Appuyez sur la touche **↑** ou **↓** pour sélectionner "LANGUAGE," puis appuyez sur la touche **→** ou ENTER.



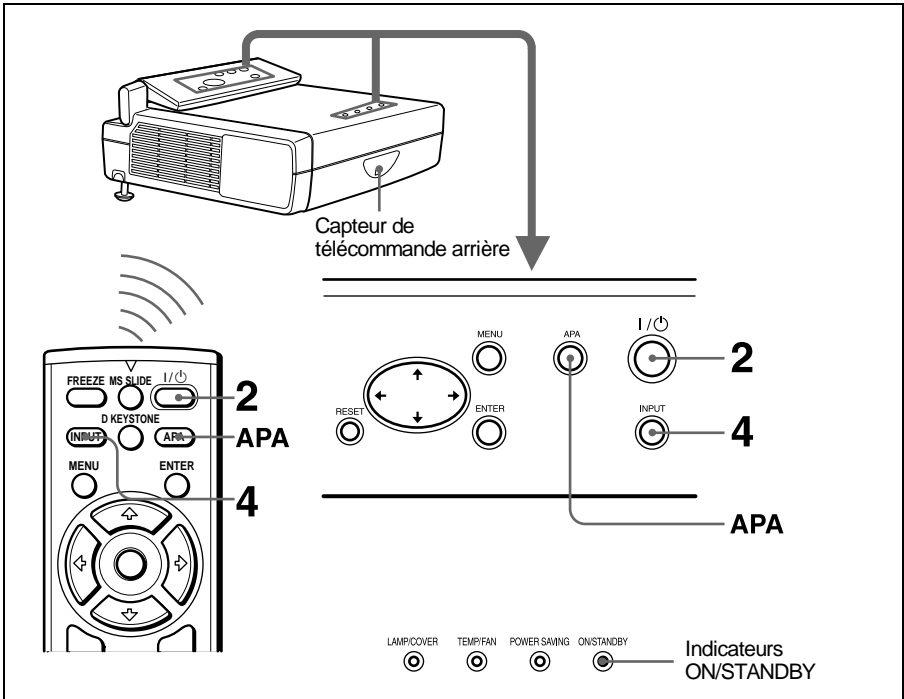
- 6 Appuyez sur la touche **↑** ou **↓** pour sélectionner une langue, puis appuyez sur la touche **←** ou ENTER. La langue du menu est remplacée par celle que vous avez sélectionnée.

Pour faire disparaître le menu

Appuyez sur la touche MENU.

Le menu disparaît automatiquement si aucune touche n'est actionnée pendant une minute.

Projection



- 1** Ouvrez le couvercle avant, puis branchez le cordon d'alimentation secteur à la prise murale, puis raccordez tous les appareils.
L'indicateur ON/STANDBY s'allume en rouge et le projecteur passe en mode de veille.
- 2** Appuyez sur la touche I / ⏻.
L'indicateur ON/STANDBY s'allume en vert.
- 3** Met sous tension l'appareil raccordé au projecteur.
- 4** Appuyez sur la touche INPUT pour sélectionner la source d'entrée.

Pour une entrée depuis	Appuyez sur INPUT pour afficher
Ordinateur raccordé au connecteur INPUT A	ENT. A
Appareil vidéo raccordé au connecteur d'entrée VIDEO	VIDEO
Appareil vidéo raccordé au connecteur d'entrée S VIDEO	S VIDEO

- 5 Tournez le levier de zoom pour ajuster la taille de l'image.
- 6 Tournez le levier de mise au point pour régler la netteté de l'image.

Attention

Ne regardez pas vers l'objectif en cours de projection car vous risquez de vous blesser aux yeux.

Pour régler le volume

Le volume peut être réglé dans le menu à l'écran. Voir "VOLUME" dans le menu CTRL IMAGE en page 27.

Pour commander l'ordinateur à l'aide de la télécommande fournie

Lorsque vous raccordez un ordinateur compatible IBM PC/AT au projecteur à l'aide du câble USB, vous pouvez commander la souris de l'ordinateur avec la télécommande.

Les touches R/L CLICK et la manette de commande fonctionnent comme suit.

Touche et manette de commande	Fonction
R CLICK (avant)	Bouton de droite
L CLICK (arrière)	Bouton de gauche
Manette de commande	Correspond aux mouvements de la souris

Remarque

Assurez-vous qu'aucun obstacle ne perturbe la transmission du faisceau infrarouge entre la télécommande et le capteur de télécommande du projecteur.

Pour obtenir l'image optimale

Vous pouvez obtenir une image optimale lorsque le signal d'un ordinateur est transmis.

- 1 Projetez une image fixe de l'ordinateur.
- 2 Appuyez sur la touche APA.
"Complete!" s'affiche à l'écran lorsque l'image est correctement réglée.

Remarques

- Appuyez sur la touche APA lorsque l'image entière est affichée à l'écran. S'il y a des bords noirs autour de l'image, la fonction APA ne fonctionnera pas correctement et l'image risque de déborder de l'écran.
- Si vous commutez le signal d'entrée ou rebranchez un ordinateur, appuyez de nouveau sur la touche APA pour obtenir l'image adéquate.
- Vous pouvez annuler le réglage en appuyant de nouveau sur la touche APA de nouveau lorsque "REGLAGE" est affiché à l'écran.
- Il se peut que l'image ne soit pas réglée correctement en fonction des types de signaux entrés.
- Réglez les paramètres dans le menu REGL ENTREE lorsque vous ajustez l'image manuellement.

Pour mettre le projecteur hors tension

1 Appuyez sur la touche I / ⏻.

“HORS TENSION? Veuillez de nouveau appuyer sur I / ⏻.” s’affiche pour confirmer que vous voulez mettre le projecteur hors tension.

Remarque

Le message disparaît si vous appuyez sur une touche quelconque autre que la touche I / ⏻ ou si vous n’appuyez sur aucune touche pendant cinq secondes.

2 Appuyez de nouveau sur la touche I / ⏻.

L’indicateur ON/STANDBY clignote en vert et le ventilateur continue de tourner pendant environ 90 secondes pour réduire la chaleur interne.

L’indicateur ON/STANDBY clignote rapidement pendant les 60 premières secondes. Pendant ce temps, vous ne pouvez pas allumer l’indicateur ON/STANDBY à l’aide de la touche I / ⏻.

3 Débranchez le cordon d’alimentation de la prise secteur après que le ventilateur s’est arrêté de tourner et l’indicateur ON/STANDBY s’allume en rouge.

Si vous ne pouvez pas confirmer le message à l’écran

Si vous ne pouvez pas confirmer le message affiché à l’écran dans certaines conditions, vous pouvez mettre le projecteur hors tension en maintenant la touche I / ⏻ enfoncée pendant environ une seconde.

Remarque

Ne débranchez pas le cordon d’alimentation pendant que le ventilateur tourne, faute de quoi le ventilateur cessera de tourner même si la température à l’intérieur du projecteur est toujours élevée, ce qui peut entraîner une panne du projecteur.

Filtre à air

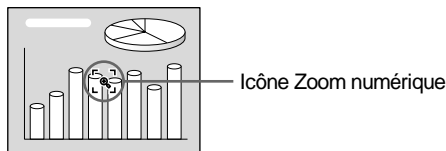
Pour assurer des performances optimales, **nettoyez le filtre à air toutes les 300 heures.**

Des outils efficaces pour vos présentations

Pour agrandir l'image (fonction Zoom numérique)

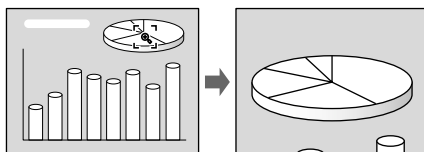
Vous pouvez sélectionner dans l'image un point à agrandir. Cette fonction opère lorsqu'un signal d'un ordinateur est entré.

- 1 Appuyez sur la touche D ZOOM + de la télécommande.
L'icône Zoom numérique apparaît au centre de l'image.

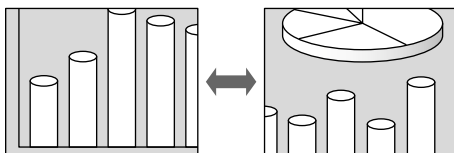


- 2 Placez l'icône sur le point de l'image que vous voulez agrandir. Utilisez la touche fléchée (↑/↓/←/→) pour déplacer l'icône.
- 3 Appuyez de nouveau sur la touche D ZOOM +.

L'image sur laquelle l'icône est positionnée s'agrandit. Le rapport d'agrandissement s'affiche à l'écran pendant quelques secondes. En appuyant sur la touche + plusieurs fois, la taille de l'image augmente (rapport d'agrandissement max. 4 fois)



Utilisez la touche fléchée (↑/↓/←/→) pour faire défiler l'image agrandie.



Pour restaurer la taille originale de l'image

Appuyez sur la touche D ZOOM -.

Ou appuyez sur la touche RESET pour restaurer immédiatement la taille originale de l'image.

Pour geler l'image projetée (fonction Freeze)

Appuyez sur la touche FREEZE. "FREEZE" apparaît lorsque la touche est actionnée. Cette fonction opère lorsqu'un signal d'un ordinateur est entré.

Pour restaurer l'écran d'origine, appuyez de nouveau sur la touche FREEZE.

Utilisation du MENU

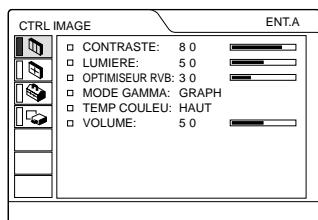
Le projecteur est équipé d'un menu sur écran permettant d'effectuer divers réglages. Vous pouvez modifier la langue de menu affichée à l'écran.

Pour changer la langue du menu, voir "Sélection de la langue de menu" en page 19.

1 Appuyez sur la touche MENU.

Le menu apparaît.

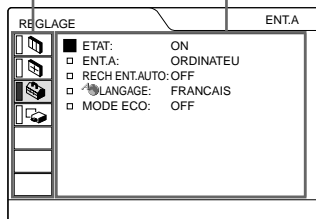
Le menu actuellement sélectionné est indiqué par un bouton jaune.



2 Utilisez la touche ↑ ou ↓ pour sélectionner un menu, puis appuyez sur la touche → ou ENTER.

Le menu sélectionné apparaît.

Menu Paramètres de réglage



3 Sélectionnez un paramètre.

Appuyez sur la touche ↑ ou ↓ pour sélectionner un paramètre, puis appuyez sur la touche → ou ENTER.

4 Procédez au réglage ou à l'ajustement d'un paramètre.

- Lors de la modification d'un niveau de réglage :
Pour augmenter le nombre, appuyez sur la touche ↑ ou →.
Pour diminuer le nombre, appuyez sur la touche ↓ ou ←.
Appuyez sur la touche ENTER pour restaurer l'écran d'origine.
- Lors de la modification du réglage :
Appuyez sur la touche ↑ ou ↓ pour modifier le réglage.
Appuyez sur la touche ENTER ou ← pour revenir à l'écran d'origine.

Pour faire disparaître le menu

Appuyez sur la touche MENU.

Le menu disparaît automatiquement si aucune touche n'est actionnée pendant une minute.

Pour réinitialiser les paramètres qui viennent d'être réglés

Appuyez sur la touche RESET.

"Complete!" s'affiche à l'écran et les réglages visibles à l'écran sont rétablis à leur valeurs d'usine.

Les paramètres pouvant être réinitialisés sont :

- "CONTRASTE", "LUMIERE", "COULEUR," "TEINTE", "NETTETE" et "OPTIMISEUR RVB" dans le menu CTRL IMAGE
- "PHASE," "AMPL H" et "DEPL." dans le menu REGL ENTREE
- "TRAPEZ NUMER" dans le menu REGL. INSTAL.

A propos de la mémoire des réglages

Les réglages sont automatiquement sauvegardés dans la mémoire du projecteur.

Si aucun signal n'est entré

S'il n'y a pas de signal d'entrée, "PAS D'ENTREE—Impossible de régler ce paramètre" s'affiche à l'écran.

A propos du menu

Vous pouvez régler la position d'affichage du menu, l'intensité de l'image d'arrière-plan et la tonalité des paramètres du menu comme vous le souhaitez.

Pour plus de détails, voir page 31.

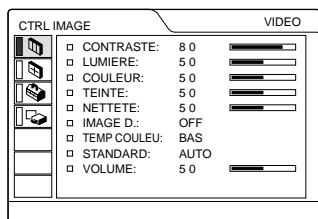
Le menu CTRL IMAGE

Le menu CTRL IMAGE sert à régler l'image.

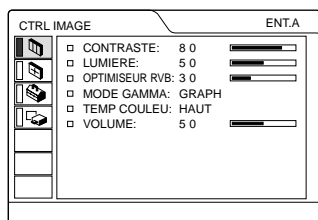
Les paramètres non réglables suivant le signal d'entrée ne sont pas affichés dans le menu.

Pour plus de détails sur les paramètres non réglables, voir page 41.

Lorsque le signal vidéo est entré



Lorsque le signal RVB est entré



Paramètres du menu

CONTRASTE

Ajuste le contraste de l'image. Plus la valeur de réglage est élevée, plus le contraste est important. Plus la valeur de réglage est basse, plus le contraste est faible.

LUMIERE

Ajuste la luminosité de l'image. Plus la valeur de réglage est élevée, plus la luminosité est importante. Plus la valeur de réglage est basse, plus l'image est sombre.

COULEUR

Ajuste l'intensité des couleurs. Plus la valeur de réglage est élevée, plus l'intensité des couleurs est importante. Plus la valeur de réglage est basse, plus l'intensité des couleurs est faible.

TEINTE

Ajuste la tonalité des couleurs. Plus la valeur de réglage est élevée, plus les tons d'image deviennent verdâtres. Plus la valeur de réglage est faible, plus les tons d'image deviennent violacés.

NETTETE

Ajuste la netteté de l'image. Plus la valeur de réglage est élevée, plus l'image est nette. Plus la valeur de réglage est basse, moins l'image est nette.

OPTIMISEUR RVB

Ajuste la netteté de l'image lorsque des signaux RVB sont entrés. Plus la valeur de réglage est élevée, plus l'image est nette. Plus la valeur de réglage est basse, moins l'image est nette.

IMAGE D. (dynamique)

Renforce les couleurs noires.

ON : Renforce les couleurs noires pour produire une image plus grasse et plus dynamique.

OFF : Restitue fidèlement les zones noires de l'image conformément au signal source.

MODE GAMMA

Sélectionne une courbe de correction gamma.

GRAPH : Améliore la reproduction des demi-teintes. Les photos peuvent être reproduites avec des tons naturels.

TEXTE : Souligne le contraste entre le noir et le blanc. Convient aux images comportant beaucoup de texte.

TEMP COULEU

Ajuste la température des couleurs.

HAUT : Rend les blancs plus bleuâtres.

BAS : Rend les blancs plus rougeâtres.

STANDARD (système couleur)

Sélectionne le système de couleur du signal d'entrée.

- **AUTO** : NTSC_{3.58}, PAL, SECAM et NTSC_{4.43} (commutation automatique)
- **PAL-M/N** : PAL-M/PAL-N et NTSC_{3.58} (commutation automatique)

En principe, mettez-le sur AUTO. Si l'image présente des distorsions ou est incolore, sélectionnez le système de couleur en fonction du signal d'entrée.

VOLUME

Ajuste le volume. Le volume peut être réglé pour chacune des entrées INPUT A, MS, VIDEO et S VIDEO.

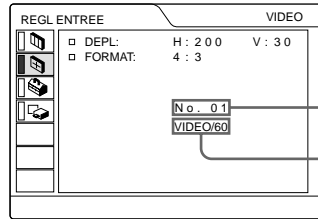
Le menu REGL ENTREE

Le menu REGL ENTREE sert au réglage du signal d'entrée.

Les paramètres non réglables suivant le signal d'entrée ne sont pas affichés dans le menu.

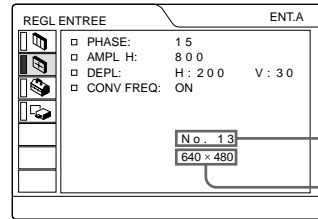
Pour plus de détails sur les paramètres non réglables, voir page 41.

Lorsque le signal vidéo est entré



N° de mémoire
Type de signal

Lorsque le signal RVB est entré



N° de mémoire
Type de signal

Réglages à l'aide du menu

Paramètres MENU

PHASE

Ajuste la phase des points du panneau LCD et du signal entré via le connecteur INPUT A.

Ajuste l'image encore plus finement après son réglage par pression de la touche APA. Règle l'image pour qu'elle apparaisse plus nette.

AMPL H

Ajuste la taille horizontale de l'image transmise par le connecteur INPUT A. Plus la valeur de réglage est élevée, plus la taille horizontale de l'image est grande. Plus la valeur de réglage est faible, moins la taille horizontale de l'image est grande. Ajustez le réglage en fonction des points du signal d'entrée.

Pour plus de détails sur la valeur adéquate pour les signaux présélectionnés, voir page 42.

DEPL. (déplacement)

Ajuste la position de l'image. H règle la position horizontale de l'image. V règle la position verticale de l'image. Plus la valeur de H augmente, plus l'image se déplace vers la droite; plus la valeur diminue, plus l'image se déplace vers la gauche. Plus la valeur de V augmente, plus l'image se déplace vers le haut; plus la valeur diminue, plus l'image se déplace vers le bas. Utilisez les touches ← ou → pour ajuster la position horizontale et les touches ↑ et ↓ pour la position verticale.

CONV FREQ (convertisseur de balayage)

Convertit le signal pour afficher l'image en fonction de la taille de l'écran.

ON : Affiche l'image en fonction de la taille de l'écran. L'image perd cependant un peu de clarté.

OFF : Affiche l'image en faisant correspondre un pixel d'élément d'image entré à un pixel de l'écran LCD. L'image affichée est claire, mais d'une taille inférieure.

Remarque

Lorsqu'un signal XGA ou SXGA est entré, ce paramètre n'est pas affiché.

FORMAT

Définit le format de l'image. Lors de l'entrée d'un signal 16:9 (compressé) à partir d'un appareil tel qu'un lecteur DVD, choisissez 16:9.

4:3 : Lorsqu'une image de rapport d'écran 4:3 est entrée.

16:9 : Lorsqu'une image de rapport d'écran 16:9 (compressé) est entrée.

A propos du n° de mémoire de présélection

Ce projecteur est doté de 37 types de données de présélection pour les signaux d'entrée (la mémoire de présélection). Le numéro de mémoire du signal d'entrée en cours et le type de signal sont affichés lorsque le signal de présélection est entré. Le numéro de mémoire et le type de signal de ce signal sont affichés dans le menu REGL ENTREE. Vous pouvez également ajuster les données de présélection via le menu REGL ENTREE.

Ce projecteur est également doté de 20 types de mémoires utilisateur pour ENT.A, dans lesquelles vous pouvez sauvegarder le réglage des données réglées pour un signal d'entrée non présélectionné.

Lorsqu'un signal non présélectionné est entré pour la première fois, le numéro de mémoire 0 s'affiche. Si le signal d'entrée est ajusté dans le menu REGL ENTREE, il sera affecté au projecteur. Si plus de 20 mémoires utilisateur sont affectées, la mémoire la plus récente remplace toujours la plus ancienne.

Reportez-vous au tableau de la page 42 pour savoir si le signal est enregistré dans la mémoire de présélection.

Comme les données sont rappelées de la mémoire de présélection pour les signaux suivants, vous pouvez utiliser ces données présélectionnées en ajustant AMPL H. Effectuez le réglage fin en ajustant DEPL.

Signal	N° de mémoire	AMPL (dimension horizontale)
Super Mac-2	23	1312
SGI-1	23	1320
Macintosh 19"	25	1328
Macintosh 21"	27	1456
Sony News	36	1708
PC-9821 1280 × 1024	36	1600
WS Sunmicro	37	1664

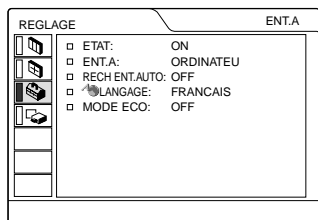
Remarque

Lorsque le format de l'image du signal d'entrée est différent de 4:3, une partie de l'écran s'affiche en noir.



Le menu REGLAGE

Le menu REGLAGE est utilisé pour changer les réglages du projecteur.



Paramètres du menu

ETAT (affichage sur écran)

Règle l'affichage sur écran.

ON : Affichage de tous les affichages sur écran.

OFF : Désactive les affichages à l'exception des menus, du message d'indication de mise hors tension et des messages d'avertissement.

ENT. A

Sélectionne le signal GBR vidéo, à composantes ou de l'ordinateur entré via le connecteur INPUT A.

Remarque

Si le réglage n'est pas correct, "Vérifiez le réglage ENT. A" s'affiche à l'écran et la couleur de l'image devient bizarre ou l'image ne s'affiche pas.

RECH ENT. AUTO

Lorsqu'il est réglé sur ON, le projecteur détecte les signaux d'entrée dans l'ordre suivant : INPUT-A/VIDEO/S-VIDEO. Indique le canal d'entrée lorsque l'appareil est sous tension ou la touche INPUT est actionnée.

LANGAGE

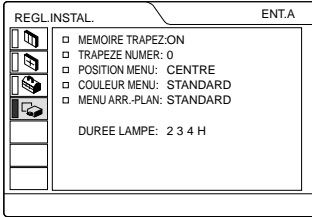
Sélectionne la langue d'affichage du menu système et des écrans de menu. Les langues disponibles sont : anglais, français, allemand, italien, espagnol, portugais, japonais, chinois et coréen.

MODE ECO

Lorsqu'il est réglé sur ON, le projecteur passe en mode d'économie d'énergie si aucun signal n'est entré pendant 10 minutes.

Le menu REGL. INSTAL.

Le menu REGL. INSTAL. est utilisé pour changer les réglages du projecteur.



Paramètres du menu

MEMOIRE TRAPEZ

ON : Le réglage TRAPEZ NUMER est enregistré. Les données sont récupérées lorsque le projecteur est mis sous tension. Le réglage sera le même toute les fois.

OFF : TRAPEZ NUMER est remis à 0 à la prochaine remise sous tension.

TRAPEZ NUMER

Ajuste la distorsion trapézoïdale due à l'angle de projection.

Lorsque le sommet du trapèze est plus long que la base : Choisissez une valeur positive.

POSITION MENU

Sélectionne la position d'affichage du menu parmi HAUT GAUCHE, BAS GAUCHE, CENTRE, HAUT DROITE et BAS DROITE.

COULEUR MENU

Sélectionne la tonalité du menu parmi STANDARD, CHAUDE, FROIDE, VERTE ou GRISE.

MENU ARR. – PLAN

Sélectionne l'intensité de l'arrière-plan du menu entre SOMBRE, STANDARD et CLAIR.

DUREE LAMPE

Indique le nombre total d'heures de fonctionnement de la lampe.

Remarque

Indique le temps seulement. L'affichage n'est pas modifiable.

Entretien

Remplacement de la lampe

Lorsque la lampe a grillé ou perdu en luminosité ou “Veillez remplacer la LAMPE” s’est affiché à l’écran, remplacez la lampe par une neuve. Utilisez la lampe pour projecteur LMP-C121 comme lampe de rechange. La durée de vie de la lampe dépend des conditions d’utilisation.

Pour remplacer la lampe après avoir utilisé le projecteur

Mettez le projecteur hors tension et débranchez le cordon d’alimentation. Attendez au moins une heure que la lampe refroidisse.

Attention

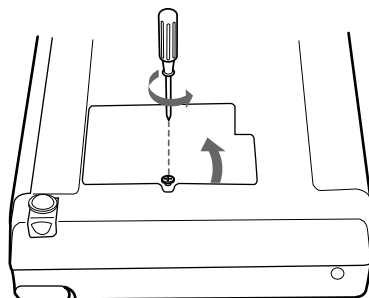
La lampe atteint une température très élevée après la mise hors tension du projecteur avec la touche I / ⏻. **Si vous touchez la lampe, vous risquez de vous brûler les doigts. Pour remplacer la lampe, attendez au moins une heure que la lampe soit refroidie.**

- 1 Placez une feuille de protection (textile) sous le projecteur. Retournez le projecteur de façon à en voir le dessous.

Remarque

Veillez à ce que le projecteur ne bascule pas après avoir été retourné.

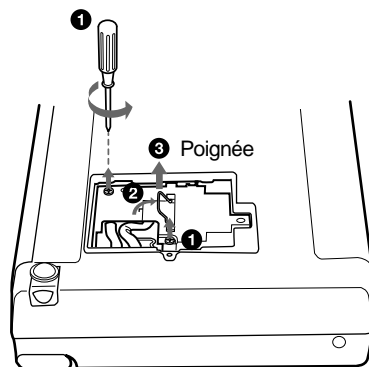
- 2 Ouvrez le couvercle de la lampe en dévissant la vis au moyen d’un tournevis cruciforme (fourni avec la lampe pour projecteur).



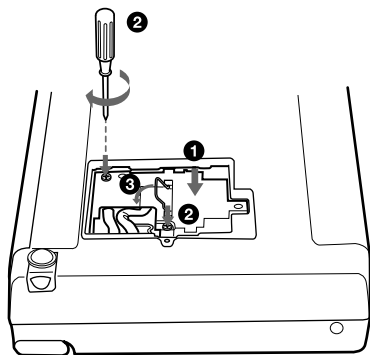
Remarque

Par mesure de sécurité, ne desserrez pas d’autres vis.

- 3 Desserrez les vis du module de lampe à l’aide du tournevis cruciforme. Extrayez le module de lampe par la poignée.



- 4 Introduisez la nouvelle lampe à fond jusqu'à ce qu'elle soit correctement en place. Serrez les vis. Repliez la poignée.



Remarques

- Veillez à ne pas toucher la surface en verre de la lampe.
- Le projecteur ne se met pas sous tension si la lampe n'est pas correctement installée.

- 5 Refermez le couvercle de la lampe et serrez les vis.
- 6 Remettez le projecteur à l'endroit.
- 7 Branchez le cordon d'alimentation et activez le projecteur en mode veille.
- 8 Appuyez sur chacune des touches suivantes du panneau de commande dans l'ordre indiqué pendant moins de cinq secondes : RESET, ←, →, ENTER.

Remarques

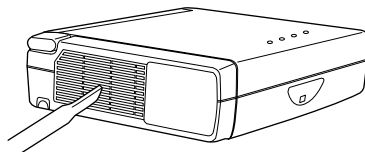
- Pour le remplacement, utilisez **uniquement une lampe pour projecteur LMP-C121**. Si vous utilisez une autre lampe, le projecteur risque de connaître une défaillance.
- Mettez le projecteur hors tension et débranchez le cordon d'alimentation avant de procéder au remplacement de la lampe.
- N'introduisez pas les doigts à l'intérieur du logement de la lampe et veillez à ce qu'aucun

liquide ou objet n'y pénètre **de manière à prévenir tout risque d'électrocution ou d'incendie**.

Nettoyage du filtre à air

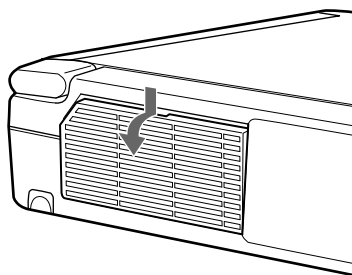
Le filtre à air doit être nettoyé toutes les 300 heures.

Enlevez la poussière de l'extérieur des orifices de ventilation au moyen d'un aspirateur.

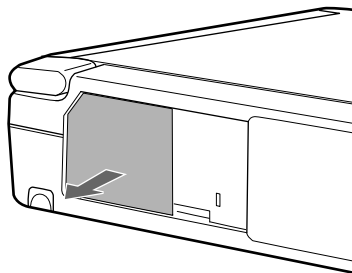


Quand il devient difficile d'enlever la poussière du filtre à l'aspirateur, ôtez le filtre à air et lavez-le.

- 1 Mettez le projecteur hors tension et débranchez le cordon d'alimentation.
- 2 Otez le couvercle du filtre à air.



- 3 Déposez le filtre à air.



- 4 Lavez le filtre à air au moyen d'une solution détergente neutre et faites-le sécher dans un endroit ombragé.
- 5 Réinstallez le filtre et remettez le couvercle en place.


Remarques

- **Si vous ne nettoyez pas le filtre à air, il est possible que de la poussière s'y accumule et l'obstrue. Ainsi, la température risque d'augmenter à l'intérieur de l'appareil et de causer un dysfonctionnement ou un incendie.**
- Si vous ne parvenez pas à éliminer la poussière, remplacez le filtre à air par le filtre neuf fourni.
- Veillez à fixer le couvercle de filtre à air correctement car le projecteur ne se mettra pas sous tension si le couvercle est mal refermé.
- Le filtre à air possède un côté avant et un côté arrière. Placez le filtre à air de sorte qu'il s'engage dans la rainure du couvercle du filtre à air.

Dépannage

Si le projecteur ne fonctionne pas correctement, essayez d'en déterminer la cause et remédiez au problème en vous référant aux instructions ci-dessous. Si le problème persiste, consultez un personnel qualifié Sony.

Alimentation

Symptôme	Cause et remède
Le projecteur ne se met pas sous tension.	<ul style="list-style-type: none">Le projecteur a été mis hors et sous tension à brefs intervalles à l'aide de la touche I / . VPL-CX4 Attendez environ 90 secondes avant de mettre le projecteur sous tension (voir page 23).Le couvercle de la lampe est mal fixé. → Refermez correctement le couvercle de la lampe (voir page 32).Le couvercle du filtre à air est mal fixé. → Refermez correctement le couvercle du filtre à air (voir page 33).
Les témoins LAMP/COVER et TEMP/FAN sont tous deux allumés.	<ul style="list-style-type: none">Le circuit électrique est défectueux. → Adressez-vous à un personnel qualifié Sony.

Image

Symptôme	Cause et remède
Pas d'image.	<ul style="list-style-type: none">Un câble est débranché ou les raccordements sont mal effectués. → Vérifiez si le raccordement a été effectué correctement (voir page 15).La sélection d'entrée est incorrecte. → Sélectionnez correctement la source d'entrée à l'aide de la touche INPUT (voir page 21).Le signal de l'ordinateur n'est pas défini pour sortir vers un moniteur externe. → Réglez le signal de l'ordinateur pour qu'il sorte vers un moniteur externe (voir page 15).Le signal de l'ordinateur est défini pour sortir vers l'écran LCD de l'ordinateur et un moniteur externe. → Réglez le signal de l'ordinateur pour qu'il sorte uniquement vers un moniteur externe (voir page 15).
L'image comporte des parasites.	<ul style="list-style-type: none">Des parasites peuvent apparaître en arrière-plan suivant la combinaison du nombre de points entrés via le connecteur et du nombre de pixels du panneau LCD. → Changez la configuration sur l'ordinateur raccordé.
L'image via le connecteur INPUT A présente des couleurs anormales.	<ul style="list-style-type: none">Le réglage pour ENT. A dans le menu REGLAGE est incorrect. → Sélectionnez ORDINATEUR, GBR VIDEO ou COMPOSANT pour ENT. A dans le menu REGLAGE selon le signal d'entrée (voir page 30).
“Vérifiez le réglage ENT. A” s'affiche malgré l'entrée du signal correct par ENT. A.	<ul style="list-style-type: none">Le réglage pour ENT. A dans le menu REGLAGE est incorrect. → Sélectionnez ORDINATEUR, GBR VIDEO ou COMPOSANT pour ENT. A dans le menu REGLAGE selon le signal d'entrée (voir page 30).

Symptôme	Cause et remède
Pas d'affichage sur écran.	<ul style="list-style-type: none"> Le paramètre ETAT du menu REGLAGE est réglé sur OFF. → Réglez ETAT dans le menu REGLAGE sur ON (voir page 30).
La balance des couleurs est incorrecte.	<ul style="list-style-type: none"> L'image n'est pas correctement réglée. → Réglez l'image (voir page 26). Le projecteur est réglé sur le mauvais système couleur. → Réglez STANDARD dans le menu CTRL IMAGE pour qu'il corresponde au système couleur entré (voir page 27).
L'image est trop foncée.	<ul style="list-style-type: none"> Le contraste ou la luminosité n'est pas réglé correctement. → Réglez correctement le contraste ou la luminosité dans le menu CTRL IMAGE (voir page 26).
L'image n'est pas claire.	<ul style="list-style-type: none"> L'image n'est pas nette. → Réglez la mise au point de l'image (voir page 22). De la condensation s'est formée sur l'objectif. → Laissez le projecteur environ deux heures sous tension.
L'image apparaît trop petite à l'écran.	<ul style="list-style-type: none"> Le paramètre DEPL du menu REGL. ENTREE n'a pas été bien réglé. → Réglez correctement DEPL dans le menu REGL. ENTREE (voir page 28).
L'image tremblote.	<ul style="list-style-type: none"> Le paramètre PHASE du menu REGL. ENTREE n'a pas été bien réglé. → Réglez correctement PHASE dans le menu REGL. ENTREE (voir page 27).

Son

Symptôme	Cause et remède
Pas de son.	<ul style="list-style-type: none"> Un câble est débranché ou les raccordements sont mal effectués. → Vérifiez si les raccordements ont été effectués correctement (voir page 15).
Lorsque le son est transmis par le connecteur AUDIO, le son ne passe que par un seul canal.	<ul style="list-style-type: none"> Un son monaural est entré par le connecteur AUDIO. → Entrez un son stéréo.

Télécommande

Symptôme	Cause et remède
La télécommande ne fonctionne pas.	<ul style="list-style-type: none"> Les piles de la télécommande sont épuisées. → Remplacez la pile (voir page 11).

Divers

Symptôme	Cause et remède
L'indicateur LAMP/COVER clignote.	<ul style="list-style-type: none"> Le couvercle de la lampe ou du filtre à air est mal fixé. → Fixez correctement le couvercle (voir page 32).
L'indicateur LAMP/COVER s'allume.	<ul style="list-style-type: none"> La lampe a atteint la fin de sa durée de vie. → Remplacez la lampe (voir page 32). La lampe a atteint une température élevée. → Attendez 90 secondes que la lampe refroidisse et remettez le projecteur sous tension (voir page 23).

Symptôme	Cause et remède
L'indicateur TEMP/FAN clignote.	<ul style="list-style-type: none"> Le ventilateur est défectueux. → Adressez-vous à un personnel qualifié Sony.
L'indicateur TEMP/FAN s'allume.	<ul style="list-style-type: none"> La température à l'intérieur du projecteur est anormalement élevée. → Vérifiez si les orifices de ventilation ne sont pas obstrués.
Les témoins LAMP/COVER et TEMP/FAN sont tous deux allumés.	<ul style="list-style-type: none"> Le circuit électrique est défectueux. → Adressez-vous à un personnel qualifié Sony.

Messages d'avertissement

Consultez la liste ci-dessous pour connaître la signification des messages affichés à l'écran.

Message	Signification et remède
Surchauffe! Lampe OFF 1 min.	<ul style="list-style-type: none"> La température à l'intérieur du projecteur est trop élevée. → Mettez le projecteur hors tension. → Vérifiez si les orifices de ventilation ne sont pas obstrués.
Fréquence est hors limites!	<ul style="list-style-type: none"> Ce signal d'entrée ne peut être projeté car la fréquence est en dehors de la plage compatible avec ce projecteur. → Entrez un signal dans la plage de fréquences compatible avec ce projecteur. Le réglage de la définition du signal de sortie de l'ordinateur est trop élevé. → Réglez la sortie sur XGA (voir page 15).
Vérifiez le réglage ENT. A.	<ul style="list-style-type: none"> Vous avez entré un signal RVB de l'ordinateur alors que ENT. A dans le menu REGLAGE est réglé sur COMPOSANT. → Réglez ENT. A correctement (voir page 30).
Remplacez la lampe.	<ul style="list-style-type: none"> Le moment est venu de remplacer la lampe. → Remplacez la lampe.

Entretien

Messages de précaution

Consultez la liste ci-dessous pour connaître la signification des messages affichés à l'écran.

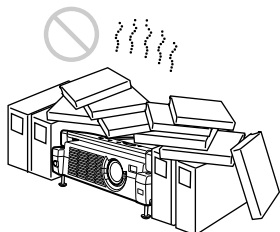
Message	Signification et remède
PAS D'ENTREE	<ul style="list-style-type: none"> Absence de signal d'entrée → Contrôler les connexions (voir page 15).
Non applicable!	<ul style="list-style-type: none"> Vous avez appuyé sur la mauvaise touche. → Appuyez sur la touche appropriée.

Remarques sur l'installation

Installation déconseillée

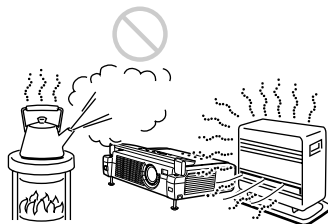
N'installez pas le projecteur dans les situations suivantes. Ces installations peuvent entraîner un dysfonctionnement ou causer des dommages au projecteur.

Mauvaise ventilation



- Assurez une circulation d'air adéquate afin d'éviter toute surchauffe interne. Ne placez pas l'appareil sur des surfaces textiles (tapis, couvertures, etc.) ni à proximité de rideaux ou de draperies susceptibles d'obstruer les orifices de ventilation. En cas d'accumulation de chaleur en raison d'un blocage, le capteur de température fonctionne avec le message "Surchauffe! Lampe off 1 min." Le projecteur se met hors tension automatiquement après une minute.
- Laissez un espace libre de plus de 30 cm (11 7/8 pouces) autour du projecteur.
- Veillez à ce que les orifices de ventilation n'aspirent pas de particules telles que des morceaux de papier.

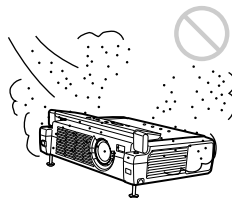
Exposition à la chaleur et à l'humidité



- N'installez pas l'appareil dans un endroit où la température ou l'humidité est très élevée ou dans un endroit très froid.
- Pour éviter la condensation d'humidité, n'installez pas l'appareil dans un endroit où la température peut augmenter rapidement.

Endroit très poussiéreux

N'installez pas l'appareil dans un endroit très poussiéreux, faute de quoi le filtre à air va s'obstruer. La poussière obstruant le passage de l'air dans le filtre peut entraîner une augmentation de la température intérieure du projecteur. Nettoyez-le régulièrement.

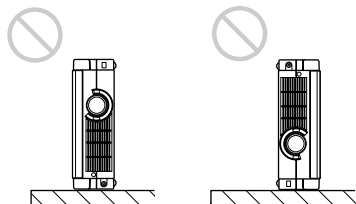


Positions déconseillées

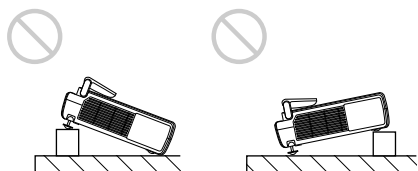
N'utilisez pas le projecteur dans les situations suivantes.

N'installez pas le projecteur sur son flanc

Évitez d'utiliser le projecteur dans une position qui pourrait entraîner un basculement. Car cela pourrait provoquer un dysfonctionnement.

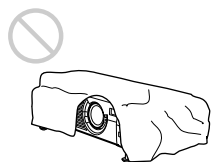


Inclinaison de l'appareil en dehors des limites du support réglable



N'installez pas le projecteur à d'autres endroits qu'au sol. Évitez d'utiliser cet appareil lorsqu'il est incliné en dehors des limites du support réglable. De telles installations peuvent être à l'origine de dysfonctionnements.

Dégagez les orifices de ventilation



Ne recouvrez pas les orifices de ventilation du projecteur, faute de quoi une surchauffe interne risque de se produire.

Spécifications

Caractéristiques optiques

Système de projection	Système de projection à 3 panneaux LCD, 1 objectif
Panneau LCD	Panneau LCD TFT 0,7 pouce avec réseau micro-objectif, 2.359.296 pixels (786.432 pixels × 3)
Objectif	Zoom 1,2x f 28,4 à 34,0 mm/F 1,8 à 2,2
Lampe	UHP de 120 W
Dimensions de l'image projetée	Plage : 40 à 150 pouces (en diagonale)
Intensité lumineuse	ANSI lumen ¹⁾ 1000 lm
Distance de projection	Lorsque le signal XGA est entré 40 pouces : 1593 à 1845 mm (62 ⁵ / ₈ à 72 ⁷ / ₈ pouces) 60 pouces : 2413 à 2789 mm (95 à 109 ⁷ / ₈ pouces) 80 pouces : 3232 à 3733 mm (127 ¹ / ₄ à 146 ⁷ / ₈ pouces) 100 pouces : 4051 à 4677 mm (159 ¹ / ₂ à 184 ³ / ₈ pouces) 120 pouces : 4870 à 5621 mm (191 ⁷ / ₈ à 221 ³ / ₈ pouces) 150 pouces : 6099 à 7037 mm (240 ¹ / ₄ à 277 ¹ / ₄ pouces)

1) La luminosité ANSI est une méthode de mesure conforme à l'American National Standard IT 7.228.

Caractéristiques électriques

Système couleur	NTSC3.58/PAL/SECAM/ NTSC4.43/PAL-M/PAL-N, commutation automatique/ manuelle
Résolution	750 lignes TV horizontales (entrée vidéo) 1024 × 768 points (entrée RVB)
Signaux d'ordinateur compatibles	fH: 19 à 92 kHz fV: 50 à 92 Hz
Haut-parleur	Haut-parleurs stéréo, 28 mm (1 ⁷ / ₈ pouces) de diamètre, max. 0,5 W × 2

Entrée/sortie

Entrée vidéo	VIDEO : type phono Vidéo composite: 1 Vcc \pm 2 dB de synchro négative (terminaison à 75 ohms) S VIDEO : miniconnecteur DIN Y/C à 4 broches (mâle) Y (luminance) : 1 Vcc \pm 2 dB de synchro négative (terminaison à 75 ohms) C (chrominance) : salve 0,286 Vcc \pm 2 dB (NTSC) (terminaison à 75 ohms), salve 0,3 Vcc \pm 2 dB (PAL) (terminaison à 75 ohms)
INPUT A	HD D-sub à 15 broches (femelle) RVB analogique/à composantes: R/R-Y: 0,7 Vcc \pm 2 dB (terminaison à 75 ohms) G: 0,7 Vcc \pm 2 dB (terminaison à 75 ohms) G avec synchro/Y: 1 Vcc \pm 2 dB synchro négative (terminaison à 75 ohms) B/B-Y: 0,7 Vcc \pm 2 dB (terminaison à 75 ohms) SYNC/HD: Entrée synchro composite: 1-5 Vcc haute impédance, positive/négative Entrée synchro horizontale: 1-5 Vcc haute impédance, positive/négative VD: Entrée synchro verticale: 1-5 Vcc haute impédance, positive/négative
AUDIO	Miniprise stéréo 500 mVrms, impédance supérieure à 47 kilohms
Hub USB	Envoi (femelle) \times 1
Réglémentation de sécurité	UL60950, cUL (CSA No. 60950), FCC Classe B, IC Classe B, NEMKO (EN60950), CE (LVD, EMC), C-Tick

Généralités

Dimensions	275 \times 65 \times 214 mm (10 ⁷ / ₈ \times 2 ⁵ / ₈ \times 8 ¹ / ₂ pouces) (l/h/p) (avec le couvercle avant refermé, sans les parties saillantes)
Poids	Approx. 2,4 kg (5 lb 5 oz)
Alimentation	100 à 240 V CA, 1,9-0,8 A, 50/60 Hz
Consommation électrique	Max. 190 W (Mode de veille: 5 W)
Dissipation de chaleur	648,4 BTU
Température de fonctionnement	0 à 35°C
Humidité de fonctionnement	35% à 85% (sans condensation)
Température de stockage	-20°C à 60°C
Humidité de stockage	10% à 90%
Accessoires fournis	Télécommande RM-PJM11 (1) Piles (R6) de taille AA (2) Câble HD D-sub à 15 broches (2 m) (1) (1-791-992-21) Câble USB de type A - de type B (1) (1-790-081-31) CD-ROM (Logiciel d'application) (1) Mallette de transport (1) Cordon d'alimentation (1) Filtre à air (pour remplacement) (1) Mode d'emploi (1) Carte de référence rapide (1) Tore de ferrite (1)

La conception et les spécifications sont sujettes à modification sans préavis.

Accessoires en option

Lampe pour projecteur

LMP-C121 (pour remplacement)

Câble de signal

SMF-402 (HD D-sub à 15 broches
(mâle) ↔ 3 × type phono
(mâle))

Écrans

portable de 50 pouces
VPS-50C¹⁾

Écran plat de 100 pouces
VPS-100FH

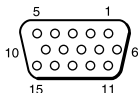
Il est possible que certains de ces accessoires ne soient pas disponibles dans certaines régions.

Pour plus de détails, veuillez consulter votre revendeur Sony.

- 1) Il se peut que la lampe VPS-50C ne soit pas disponible dans toutes les régions. Pour plus de détails, veuillez consulter votre revendeur Sony.

Affectation des broches

Connecteur INPUT A (HD D-sub à 15 broches, femelle)



1	R/R-Y	9	N.C.
2	G/Y	10	GND
3	B/B-Y	11	GND
4	GND	12	DDC/SDA
5	GND	13	HD/C.Sync
6	GND (R)	14	VD
7	GND (G)	15	DDC/SCL
8	GND (B)		

Signaux d'entrée et paramètres réglables/de réglage

Menu CTRL IMAGE

Paramètre	Signal d'entrée				
	Vidéo ou S vidéo (Y/C)	Composante	Video GBR	Ordinateur	B&W
CONTRASTE	●	●	●	●	●

Paramètre	Signal d'entrée				
	Vidéo ou S vidéo (Y/C)	Composante	Video GBR	Ordinateur	B&W
LUMIERE	●	●	●	●	●
COULEUR	●	●	●	-	-
TEINTE	● (NTSC 3.58/ 4.43 uniquement)	●	●	-	-
NETTETE	●	●	●	-	●
OPTIMISER RVB	-	-	-	●	-
IMAGE D.	●	●	●	-	●
MODE GAMMA	-	-	●	●	-
TEMP COULEU	●	●	●	●	●
STANDARD	●	-	-	-	●
VOLUME	●	●	●	●	●

● : Réglable/peut être réglé

- : Non réglable/ne peut être réglé

Menu REGL ENTREE

Paramètre	Signal d'entrée				
	Vidéo ou S vidéo (Y/C)	Composante	Vidéo GBR	Ordinateur	B&W
PHASE	-	-	-	●	-
AMPL H	-	-	-	●	-
DEPL. (déplacement)	●	●	●	●	●
CONV FREQ	-	-	-	● (inférieur à SVG A)	-
FORMAT	●	●	●	-	●

● : Réglable/peut être réglé

- : Non réglable/ne peut être réglé

Signaux présélectionnés

N° de mémoire	Signal présélectionné		fH (kHz)	fV (Hz)	Synchro	AMPL (dimension horizontale)
1	Vidéo 60 Hz		15,734	59,940		
2	Vidéo 50 Hz		15,625	50,000		
3	RVB 15k/à composantes 60 Hz		15,734	59,940	S sur G/Y ou Composite Synchro	
4	RVB 15k/à composantes 50 Hz		15,625	50,000	S sur G/Y ou Composite Synchro	
6	640 × 350	VGA mode 1	31,469	70,086	H-pos, V-nég	800
7		VGA VESA 85 Hz	37,861	85,080	H-pos, V-nég	832
8	640 × 400	PC-9801 Normal	24,823	56,416	H-nég, V-nég	848
9		VGA mode 2	31,469	70,086	H-nég, V-pos	800
10		VGA VESA 85 Hz	37,861	85,080	H-nég, V-pos	832
11	640 × 480	VGA mode 3	31,469	59,940	H-nég, V-nég	800
12		Macintosh 13"	35,000	66,667	H-nég, V-nég	864
13		VGA VESA 72 Hz	37,861	72,809	H-nég, V-nég	832
14		VGA VESA 75 Hz	37,500	75,000	H-nég, V-nég	840
15		VGA VESA 85 Hz	43,269	85,008	H-nég, V-nég	832
16	800 × 600	SVGA VESA 56 Hz	35,156	56,250	H-pos, V-pos	1024
17		SVGA VESA 60 Hz	37,879	60,317	H-pos, V-pos	1056
18		SVGA VESA 72 Hz	48,077	72,188	H-pos, V-pos	1040
19		SVGA VESA 75 Hz	46,875	75,000	H-pos, V-pos	1056
20		SVGA VESA 85 Hz	53,674	85,061	H-pos, V-pos	1048
21	832 × 624	Macintosh 16"	49,724	74,550	H-nég, V-nég	1152
22	1024 × 768	XGA VESA 43 Hz	35,522	43,479	H-pos, V-pos	1264
23		XGA VESA 60 Hz	48,363	60,004	H-nég, V-nég	1344
24		XGA VESA 70 Hz	56,476	70,069	H-nég, V-nég	1328
25		XGA VESA 75 Hz	60,023	75,029	H-pos, V-pos	1312
26		XGA VESA 85 Hz	68,677	84,997	H-pos, V-pos	1376
27	1152 × 864	SXGA VESA 70 Hz	63,995	70,016	H-pos, V-pos	1472
28		SXGA VESA 75 Hz	67,500	75,000	H-pos, V-pos	1600
29		SXGA VESA 85 Hz	77,487	85,057	H-pos, V-pos	1568
30	1152 × 900	Sunmicro LO	61,795	65,960	H-nég, V-nég	1504
31		Sunmicro HI	71,713	76,047	H-nég, V-nég	1472

N° de mémoire	Signal présélectionné		fH (kHz)	fV (Hz)	Synchro	AMPL (dimension horizontale)	
32	1280 × 960	SXGA VESA 60 Hz	60,000	60,000	H-pos, V-pos	1800	
33		SXGA VESA 75 Hz	75,000	75,000	H-pos, V-pos	1728	
34	1280 × 1024	SXGA VESA 43 Hz	46,433	43,436	H-pos, V-pos	1696	
35		SGL-5	53,316	50,062	S on G	1680	
36		SXGA VESA 60 Hz	63,974	60,013	H-pos, V-pos	1696	
37		SXGA VESA 75 Hz	79,976	75,025	H-pos, V-pos	1688	
38		SXGA VESA 85 Hz		91,146	85,024	H-pos, V-pos	1296

Remarque

- Lorsqu'un signal autre que l'un de ceux présentés ci-dessus est entré, l'image pourra ne pas apparaître correctement.

Avertissement relatif au raccordement secteur

Utilisez un cordon d'alimentation adéquat pour votre alimentation secteur locale.

	États-Unis, Canada	Europe continentale	Royaume-Uni	Australie	Japon
Type de fiche	YP-11	YP-21	SP-61	B8	YP-13
Extrémité femelle	YC-13L	YC-13L	YC-13L	C7-2	YC-13L
Type de cordon	SPT-2	H03VVH2-F	H03VVH2-F	H03VVH2-F	VFF
Tension et courant nominaux	10A/125V	2,5A/250V	2,5A/250V	2,5A/250V	7A/125V
Approbation de sécurité	UL/CSA	VDE	BS	SAA	DENAN

Divers

Index

A

Accessoires en option	41
Accessoires fournis	40
Affectation des broches	41
Alimentation	
mise sous tension	21
AMPL H	28

C

Capteur de télécommande	
arrière	8
avant	7
Connecteur INPUT A	10
affectation des	
broches	41
Connecteur USB	11, 16
Connexions	
appareil à	
composantes	17
Magnétoscope	17
ordinateur	15
CONTRASTE	26
CONV FREQ (convertisseur de balayage)	28
COULEUR	26
COULEUR MENU	31
CTRL IMAGE	26

D

Dépannage	35
DEPL. (déplacement)	28

E

Emplacement et fonction des commandes	
arrière/côté gauche	7
avant/côté/bas	7
panneau de	
commande	10
panneau des	
connecteurs	10
Télécommande	11
ENT. A	30
ETAT (affichage sur écran)	30

Exemples d'installation	14
installation	
déconseillée	38
positions déconseillées	39
remarques	38

F

Fente Memory Stick	10
Filtre à air	33
Fonction Zoom	
numérique	24
FORMAT	28

I

IMAGE D.	
(dynamique)	26

L

LANGAGE	30
sélection de la langue	
de menu	19
LUMIERE	26

M

Menu	
CTRL IMAGE	26
pour faire disparaître le	
menu	25
REGL ENTREE	27
REGLAGE	30
utilisation du MENU	25
MENU ARR. – PLAN	31
Message	
avertissement	37
précaution	37
MODE ECO	7, 30
MODE GAMMA	26

N

NETTETE	26
---------	----

O

OPTIMISEUR RVB	26
Orifices de ventilation	
prise d'air	8
sortie d'air	8

P

PHASE	27
POSITION MENU	31
Précautions	4

R

RECH ENT. AUTO	30
REGL ENTREE	27
REGL. INSTAL.	31
REGLAGE	30
Réglage	
de l'image	22, 26
de la taille/déplacement	
de l'image	28
mémoire des	
réglages	25
Réinitialisation	
paramètres	
réinitialisables	25
réinitialisation du	
paramètre	25
Remplacement de	
la lampe	32

S

Spécifications	39
STANDARD (système couleur)	27
Support réglable	9

T

Taille d'écran	14, 39
TEINTE	26
Télécommande	11
emplacement et	
fonction des	
commandes	11
TEMP COULEU	27

V

VOLUME	27
--------	----

ADVERTENCIA

Para evitar el riesgo de incendio o electrocución, no exponga la unidad a la lluvia ni a la humedad.

Para evitar recibir descargas eléctricas, no abra el aparato. Contrate exclusivamente los servicios de personal cualificado.

La toma de corriente debe encontrarse cerca del equipo y ser de fácil acceso.

Contenido

Descripción general

Precauciones	4
Características	5
Ubicación y función de los controles	7
Parte frontal/lateral/inferior	7
Parte posterior/lateral izquierda	7
Panel de control	10
Panel de conectores	10
Mando a distancia	11

Instalación y proyección

Instalación del proyector	14
Conexión del proyector	15
Conexión a un ordenador	15
Conexión a una videograbadora o a un equipo RVA de 15k/componente	17
Selección del idioma del menú	19
Proyección	21
Herramientas efectivas para las presentaciones	24

Realización de ajustes mediante el menú

Uso del MENU	25
Menú CTRL IMAGEN	26
Menú AJUS ENTRAD	28
Menú AJUSTE	30
Menú AJUSTE INST	31

Mantenimiento

Mantenimiento	32
Sustitución de la lámpara	32
Limpieza del filtro de aire	33
Solución de problemas	34
Mensajes de aviso	36
Mensajes de precaución	37

Otros

Notas sobre la instalación	38
Instalación inadecuada	38
Condiciones inadecuadas	39
Especificaciones	39
Índice	44

ES

Precauciones

Seguridad

- Compruebe que la tensión de funcionamiento de la unidad sea la misma que la del suministro eléctrico local.
- Si se introduce algún objeto sólido o líquido en la unidad, desenchúfela y haga que sea revisada por personal especializado antes de volver a utilizarla.
- Desenchufe la unidad de la toma mural cuando no vaya a utilizarla durante varios días.
- Para desconectar el cable, tire del enchufe. Nunca tire del propio cable.
- La toma mural debe encontrarse cerca de la unidad y ser de fácil acceso.
- La unidad no estará desconectada de la fuente de alimentación de CA (toma de corriente) mientras esté conectada a la toma mural, aunque haya apagado la unidad.
- No mire al objetivo mientras la lámpara esté encendida.
- No coloque la mano ni ningún objeto cerca de los orificios de ventilación, ya que el aire que sale es caliente.
- Tenga cuidado de no pillarse los dedos con el ajustador cuando ajuste la altura del proyector. No ejerza una presión excesiva sobre la parte superior del proyector cuando el ajustador esté fuera.

Iluminación

- Con el fin de obtener imágenes con la mejor calidad posible, la parte frontal de la pantalla no debe estar expuesta a la luz solar ni a iluminaciones directas.
- Se recomienda utilizar una luz proyectora en el techo. Cubra las lámparas fluorescentes para evitar que se produzca una disminución en la relación de contraste.
- Cubra con tela opaca las ventanas que estén orientadas hacia la pantalla.
- Es recomendable instalar el proyector en una sala cuyo suelo y paredes no estén hechas con materiales que reflejen la luz. Si el suelo y las paredes están hechas de dicho tipo de material, se recomienda cambiar el color de éstos por uno oscuro.

Prevención del calentamiento interno

Después de desactivar la alimentación con la tecla I / ⏻, no desconecte la unidad de la toma mural mientras el ventilador de refrigeración esté en funcionamiento.

Precaución

El proyector está equipado con orificios de ventilación de aspiración y de escape. No bloquee dichos orificios ni coloque nada cerca de ellos, ya que si lo hace puede producirse un recalentamiento interno, causando el deterioro de la imagen o daños al proyector.

Limpieza

- Para mantener el exterior de la unidad como nuevo, límpielo periódicamente con un paño suave. Las manchas persistentes pueden eliminarse con un paño ligeramente humedecido en una solución detergente suave. No utilice nunca disolventes concentrados, como diluyente, bencina o limpiadores abrasivos, ya que dañarán el exterior.
- Evite tocar el objetivo. Utilice un paño seco y suave para eliminar el polvo del objetivo. No utilice un paño húmedo, soluciones detergentes ni diluyentes.
- Limpie el filtro con regularidad.

Embalaje

- Guarde la caja y los materiales de embalaje originales, ya que resultarán útiles cuando tenga que embalar la unidad. Para obtener una máxima protección, vuelva a embalar la unidad como se embolsó originalmente en fábrica.

Proyector LCD

- El proyector LCD está fabricado con tecnología de alta precisión. No obstante, es posible que se observen pequeños puntos negros o brillantes (rojos, azules o verdes), o ambos, de forma continua en el proyector. Se trata de un resultado normal del proceso de fabricación y no indica fallo de funcionamiento.

Características

Fácil transporte

- **Ligero, de tamaño reducido y diseño sencillo**

El peso de este proyector se ha reducido hasta unos 2,4 kg (5 libras 5 onzas) y el tamaño se ha equiparado al de un archivo B5.

Cuando la cubierta frontal (que dispone de funciones de control) está cerrada, el diseño del proyector es muy sencillo.

Es posible transportarlo junto con su ordenador con facilidad.

Funcionamiento silencioso

Gracias al mecanismo de refrigeración exclusivo de Sony que utiliza el proyector, el funcionamiento resulta muy silencioso.

Brillo elevado y gran calidad de imagen

- **Brillo elevado**

Gracias a la incorporación del sistema óptico de alto rendimiento y de la lámpara UHP de 120 W, se obtiene un brillo elevado (salida de luz de 1000 ANSI lumen) y una excelente uniformidad en la imagen.

- **Alta resolución**

Los tres paneles XGA de unos 790.000 píxeles y de 0,7 pulgadas proporcionan una resolución de 1.024×768 puntos para la entrada RVA y 750 líneas de TV horizontales para la entrada de vídeo.

Presentación sencilla

- **Configuración sencilla con equipos externos**

Este proyector está predefinido para 37 tipos de señales de entrada. Es posible proyectar imágenes desde una fuente de señales externa mediante la conexión del equipo con el cable suministrado y pulsando la tecla APA.

- **Compatible con la función hub USB (Bus serie universal)**

Es posible conectar algún equipo USB (por ejemplo un ratón USB) al proyector y utilizar el mando a distancia suministrado como ratón inalámbrico, conectándolo al ordenador con el cable USB. Asimismo, puede controlar el proyector con el software de la aplicación (CD-ROM), que se proporciona con el proyector, desde un ordenador que funcione con Windows 98, Windows 98 SE, Windows ME o Windows 2000.

Si emplea este software de la aplicación, podrá abrir cualquier archivo que desee utilizar en su presentación con el mando a distancia suministrado.

- **Mando a distancia sencillo**

El mando a distancia está equipado con diversas teclas muy útiles, incluyendo la tecla D ZOOM para ampliar la imagen hacia una panorámica de detalle, la tecla FREEZE para congelar la imagen proyectada aun cuando el equipo está desconectado, la tecla D KEYSTONE para corregir la distorsión trapezoidal de la imagen y la tecla MS SLIDE para comenzar a visualizar la transparencia utilizando el material de la presentación guardado en el Memory Stick.

Admisión de distintas señales de entrada

- **Convertidor de exploración incorporado**

Este proyector dispone de un convertidor de exploración incorporado que convierte la señal de entrada a 1.024×768 puntos.

- **Señales de entrada compatibles**

Este proyector admite señales de vídeo compuestas, S vídeo y de componente, así como VGA, SVGA, XGA y SXGA, pudiendo mostrar todas ellas.

- **Compatible con seis sistemas de color**

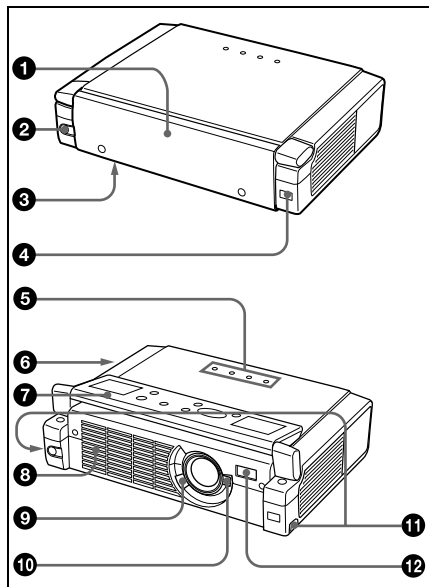
Es posible seleccionar de forma automática o manual el sistema de color NTSC, PAL, SECAM, NTSC_{4.43}¹⁾, PAL-M o PAL-N.

1) NTSC_{4.43} es el sistema de color utilizado para reproducir vídeos grabados en NTSC en una videgrabadora de sistema NTSC_{4.43}.

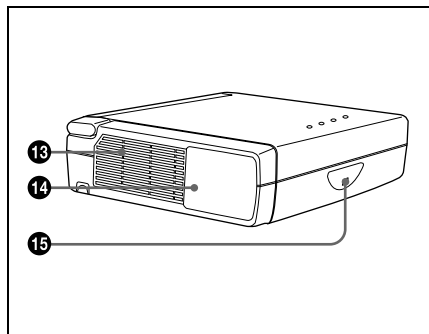
-
- Windows es una marca comercial registrada de Microsoft Corporation en Estados Unidos y/o en otros países.
 - VGA, SVGA XGA y SXGA son marcas comerciales registradas de International Business Machines Corporation, EE.UU.
 - Macintosh es una marca comercial registrada de Apple Computer, Inc.
 - IBM PC/AT es una marca comercial registrada de International Business Machines Corporation, EE.UU.
 - VESA es una marca comercial registrada de Video Electronics Standard Association.
 - Display Data Channel (Canal de datos de visualización) es una marca comercial de Video Electronics Standard Association.
 - PC-98 es una marca comercial de NEC Corporation.

Ubicación y función de los controles

Parte frontal/lateral/inferior



Parte posterior/lateral izquierda



1 Cubierta frontal

Pulse el botón OPEN para abrir la cubierta frontal.



2 Botón OPEN

3 Cubierta de la lámpara (parte inferior)

4 Detector frontal de control remoto (receptor SIRCS)

5 Indicadores

- **LAMP/COVER:** Se ilumina o parpadea en las siguientes condiciones:
 - Se ilumina cuando la lámpara llega al final de su vida útil o cuando alcanza una temperatura alta.
 - Parpadea cuando la cubierta de la lámpara o la del filtro de aire no está fijada correctamente.
- **TEMP/FAN (Temperatura):** Se ilumina o parpadea en las siguientes condiciones:
 - Se ilumina cuando la temperatura del interior del proyector es inusualmente alta.
 - Parpadea cuando el ventilador está averiado.
- **POWER SAVING:** Se ilumina cuando el proyector se encuentra en el modo de ahorro de energía. Si AHORRO ENERGIA del menú AJUSTE está ajustado en SI, el proyector entrará en el modo de ahorro de energía si no se introduce ninguna señal durante 10 minutos. Aunque la lámpara se apague, el ventilador de refrigeración seguirá funcionando. En el modo de ahorro de energía, no funciona ninguna tecla durante los primeros 60 segundos. Dicho modo se cancelará al introducirse alguna señal o al pulsar cualquier tecla.
- **ON/STANDBY:** Se ilumina o parpadea en las siguientes condiciones:
 - Se ilumina en rojo al enchufar el cable de alimentación de CA en una toma mural. Una vez en el modo de espera, podrá encender el proyector con la tecla I / ⏻.

- Se ilumina en verde cuando la alimentación está activada.
- Parpadea en verde mientras el ventilador de refrigeración funciona tras desactivar la alimentación con la tecla I / . El ventilador funciona durante unos 90 segundos tras desactivar la alimentación. El indicador ON/STANDBY parpadea rápidamente durante los primeros 60 segundos. Durante este espacio de tiempo, el indicador ON/STANDBY no puede encenderse con la tecla I / .

Para más información sobre los indicadores LAMP/COVER y TEMP/FAN, remítase a la página 36.

6 Bloqueo de seguridad (lateral derecho)

Se conecta a un cable opcional de seguridad (Kensington).

El bloqueo de seguridad corresponde al sistema de seguridad "MicroSaver.®" de Kensington. Si necesita más información, póngase en contacto con
Kensington
2855 Campus Drive, San Mateo,
CA 94403

En Norteamérica
Teléfono: 800-235-6708
Fax: 800-247-1317

Fuera de Norteamérica
Teléfono: 847-541-9500

Dirección en Internet:
<http://www.kensington.com/>

7 Panel de control

Para más información, remítase a "Panel de control" en la página 10.

8 Orificios de ventilación (de escape)

9 Palanca de enfoque

Ajusta el enfoque de la imagen.

10 Palanca del zoom

Ajusta el tamaño de la imagen.

11 Botones de regulación del ajustador

Para más información, remítase a "Cómo utilizar el ajustador" en la página 9.

12 Clavija AC IN

Conecta el cable de alimentación de CA suministrado.

13 Orificios de ventilación (de aspiración)/cubierta del filtro de aire

Notas

- No coloque nada cerca de los orificios de ventilación, ya que puede producirse un recalentamiento interno.
- No coloque la mano ni ningún objeto cerca de los orificios de ventilación, ya que el aire que sale puede producir recalentamiento.
- Para mantener un rendimiento óptimo, limpie el filtro de aire cada 300 horas.

14 Panel de conectores

Para más información, remítase a "Panel de conectores" en la página 10.

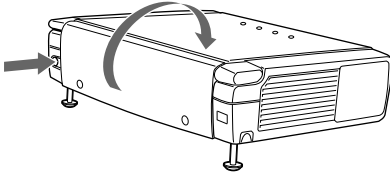
15 Detector posterior de control remoto (receptor SIRCS)

Apertura/Cierre de la cubierta frontal

Para abrir la cubierta frontal

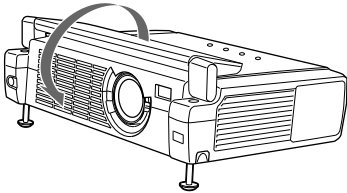
Pulse el botón OPEN.

La cubierta frontal se abre y se coloca sobre el panel superior del proyector.



Para cerrar la cubierta frontal

Cierre la cubierta frontal con la mano.



Nota

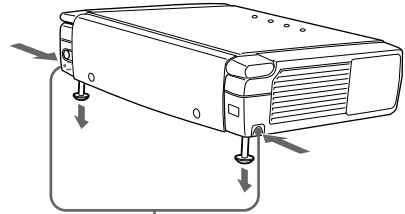
No incline el proyector más allá del margen de regulación del ajustador cuando abra la cubierta frontal. **Si se inclina el proyector demasiado, la cubierta frontal se abrirá con demasiada lentitud o rapidez.**

Cómo utilizar el ajustador

Para ajustar la altura

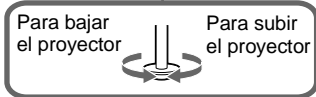
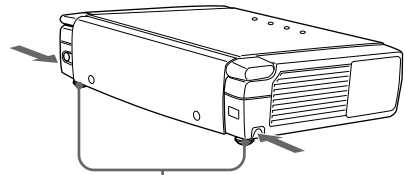
Ajuste la altura del proyector de la siguiente forma:

- 1 Levante el proyector y pulse los botones de regulación del ajustador. Los ajustadores se extenderán desde el proyector.



Botones de regulación del ajustador

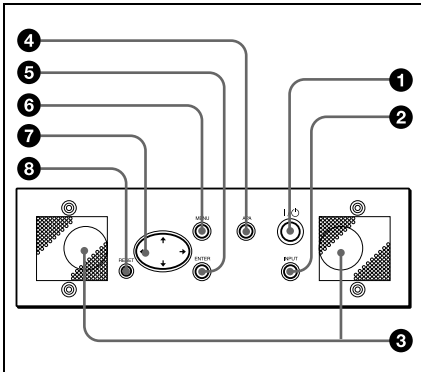
- 2 Baje el proyector mientras pulsa los botones. A continuación, deje de pulsar los botones. Para un ajuste de precisión, gire los ajustadores a la derecha y a la izquierda.



Notas

- Tenga cuidado de no dejar caer el proyector sobre los dedos.
- No ejerza una presión excesiva sobre la parte superior del proyector cuando los ajustadores estén fuera. Pueden producirse fallos de funcionamiento.

Panel de control



1 Tecla I / ⏻ (encendido/espera)

Enciende y apaga el proyector cuando éste se encuentra en el modo de espera. El indicador ON/STANDBY se iluminará en verde al activar la alimentación.

Para desactivar la alimentación, pulse la tecla I / ⏻ dos veces siguiendo el mensaje en pantalla, o pulse y mantenga pulsada la tecla durante un segundo aproximadamente.

Para más información sobre los pasos para desactivar la alimentación, remítase a “Para desactivar la alimentación” en la página 23.

2 Tecla INPUT

Selecciona la señal de entrada. Cada vez que pulse la tecla, la señal de entrada cambiará de la siguiente forma:

INPUT A → VIDEO → S VIDEO

3 Altavoces

4 Tecla APA (Alineación automática de píxeles)

Permite obtener la imagen más nítida posible de forma automática al introducir una señal de un ordenador.

5 Tecla ENTER

Introduce los ajustes de los elementos del sistema de menú.

6 Tecla MENU

Muestra el menú en pantalla. Vuelva a pulsarla para que el menú desaparezca.

7 Teclas de flecha (↑/↓/←/→)

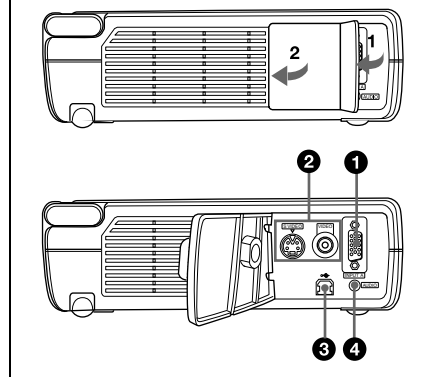
Seleccionan el menú o permiten realizar diversos ajustes.

8 Tecla RESET

Permite recuperar el valor ajustado en fábrica de los elementos. Esta tecla funciona cuando el menú o un elemento de ajuste se encuentra en pantalla.

Panel de conectores

Lado izquierdo



1 Conector INPUT A (HD D-sub de 15 terminales, hembra)

Conéctelo a un equipo externo, como un ordenador.

Se conecta a la salida de monitor de un ordenador mediante el cable suministrado. Cuando introduzca una señal de componente o RCA de 15k, utilice un cable opcional.

2 Conector de entrada de vídeo

Conéctelo a un equipo externo de vídeo, como una videograbadora.

- **VIDEO (tipo fonográfico):** Se conecta a la salida de vídeo compuesta de un equipo de vídeo.
- **S VIDEO (mini DIN de 4 terminales):** Se conecta a la salida de

S vídeo (salida de vídeo Y/C) de un equipo de vídeo.

3 Conector USB (enchufe USB de flujo de salida, 4 terminales)

Enchúfelo al conector USB de un ordenador. Si conecta el proyector al ordenador podrá controlar el funcionamiento del ratón con el mando a distancia suministrado. El software de aplicación suministrado puede instalarse en el ordenador enchufado a este conector.

4 Conector AUDIO (minitoma estéreo)

Cuando escuche el sonido de salida del ordenador, conéctelo a la salida de audio de dicho ordenador.

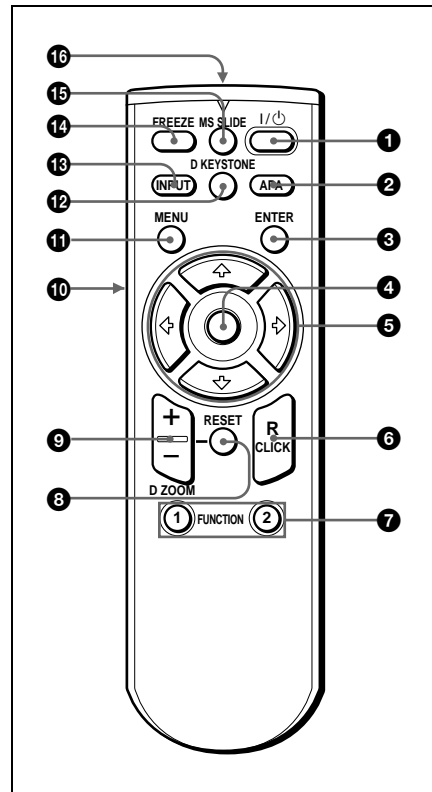
Cuando escuche el sonido de salida de la videgrabadora, conéctelo a la salida de audio de dicha videgrabadora.

Mando a distancia

Las teclas que tienen los mismos nombres que las del panel de control funcionan de la misma forma.

Es posible controlar el ordenador conectado mediante el mando a distancia.

Para más información, remítase a “Para controlar el ordenador mediante el mando a distancia suministrado” en la página 22.



1 Tecla I /

2 Tecla APA (Alineación automática de píxeles)

3 Tecla ENTER

4 “Joystick”

Funciona como el ratón del ordenador conectado a la unidad.

5 Teclas de flecha (↑/↓/←/→)

6 Tecla R CLICK

Funciona como el botón derecho de un ratón.

7 Teclas FUNCTION 1, 2

Estas teclas funcionan cuando se utiliza el software de aplicación suministrado. Al conectar el proyector a un ordenador, puede abrirse un archivo en la pantalla con sólo pulsar la tecla FUNCTION. De esta forma se mejora la presentación.

Para utilizar esta función, asigne un archivo a la tecla FUNCTION mediante el software de aplicación.

Para más información, consulte los archivos README y HELP suministrados con dicho software.

8 Tecla RESET

Permite recuperar el valor de fábrica de los elementos o el tamaño original de las imágenes ampliadas.

9 Tecla D ZOOM +/-

Aumenta la imagen en el lugar que se desee de la pantalla.

+: Si se pulsa la tecla + una vez, aparece el icono. Este icono indica el punto de la imagen que desea aumentar.

Utilice una tecla de flecha (↑/↓/←/→) para desplazar el icono hasta el punto que desea aumentar. Pulse la tecla + varias veces para aumentar la imagen según sus preferencias.

-: Al pulsar la tecla -, se reduce la imagen que se había aumentado con la tecla D ZOOM +.

10 Tecla L CLICK

Funciona como el botón izquierdo de un ratón.

11 Tecla MENU

12 Tecla D KEYSTONE

Ajusta la distorsión trapezoidal de la imagen que pueda tener lugar a causa del ángulo del proyector. Utilice la tecla de flecha (↑/↓/←/→) para encuadrar la imagen.

13 Tecla INPUT

14 Tecla FREEZE

Se utiliza para congelar la imagen proyectada. Para cancelar esta función, pulse de nuevo la tecla.

15 Tecla MS SLIDE

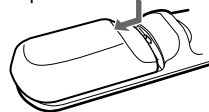
Esta tecla no funciona en esta unidad.

16 Transmisor de infrarrojos

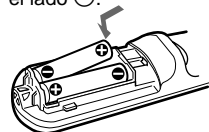
Instalación de las pilas

- 1 Abra la tapa empujándola y deslízandola; a continuación instale las dos pilas de tamaño AA (R6) (suministradas) teniendo en cuenta la polaridad correcta.

Deslice la tapa mientras la presiona.



Asegúrese de instalar la pila comenzando por el lado ⊖.



- 2 Vuelva a colocar la tapa.

Notas sobre las pilas

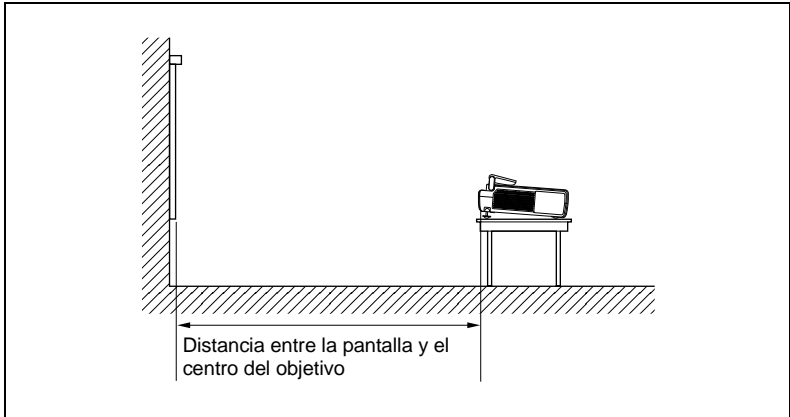
- Compruebe que la orientación de las pilas es correcta cuando las introduzca.
- No mezcle pilas usadas con nuevas, ni diferentes tipos de pilas.
- Cuando no vaya a emplear el mando a distancia durante mucho tiempo, extraiga las pilas para evitar que se produzcan daños por fugas de las mismas. Si se producen fugas de las pilas, extráigalas, limpie y seque el compartimento de las mismas y sustitúyalas por una nuevas.

Notas sobre el empleo del mando a distancia

- Compruebe que nada obstruya el haz infrarrojo entre el mando a distancia y el detector de control remoto del proyector. Oriente el mando a distancia hacia el detector frontal o posterior de control remoto.
- El margen de funcionamiento es limitado. Cuanto menor sea la distancia entre el mando y el proyector, mayor será el ángulo de control del mando sobre el proyector.

Instalación del proyector

En esta sección se describe cómo instalar el proyector.
 La distancia entre el objetivo y la pantalla varía en función del tamaño de ésta.
 Utilice la tabla siguiente como referencia.



Unidad: m (pies)

Tamaño de la pantalla (pulgadas)	40	60	80	100	120	150
Distancia mínima	1,6 (5,2)	2,4 (7,9)	3,2 (10,6)	4,1 (13,3)	4,9 (16,0)	6,1 (20,0)
Distancia máxima	1,9 (6,1)	2,8 (9,2)	3,7 (12,2)	4,7 (15,4)	5,6 (18,4)	7,0 (23,1)

Nota

No es posible instalar el proyector al revés, como por ejemplo en el techo.

Conexión del proyector

Para conectar el proyector, remítase a las ilustraciones en las páginas siguientes.

- Apague todos los equipos antes de realizar cualquier conexión.
- Utilice los cables apropiados para cada conexión.
- Introduzca los enchufes de los cables correctamente; si no se introducen por completo suelen producir ruido. Cuando desconecte un cable, asegúrese de tirar del enchufe, no del cable.

Conexión a un ordenador

En esta sección se describe cómo conectar el proyector a un ordenador. Para más información, consulte el manual de instrucciones del ordenador.

Notas

- El proyector admite señales VGA, SVGA, XGA y SXGA. No obstante, le recomendamos que ajuste el modo de salida de su ordenador al modo XGA para el monitor externo.
- Si ajusta el ordenador, como por ejemplo de tipo portátil, para que envíe la señal a la pantalla del mismo y al monitor externo, es posible que la imagen de dicho monitor no se vea correctamente. Ajuste el ordenador para que envíe la señal solamente al monitor externo.

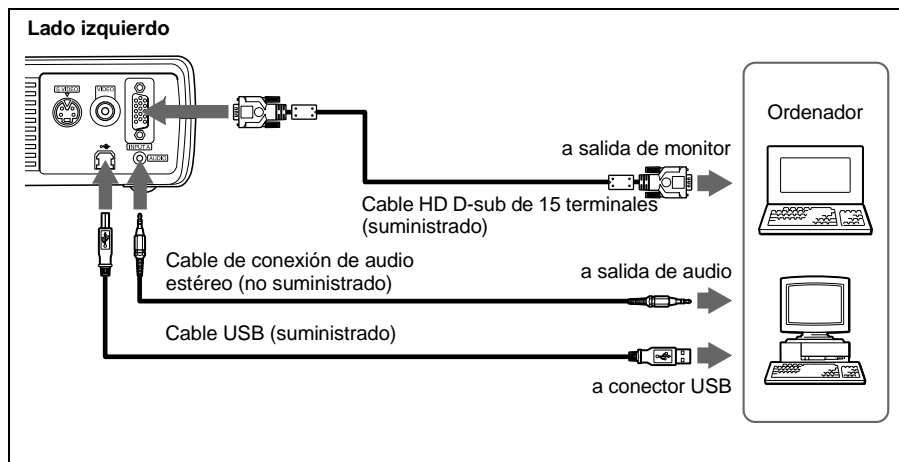
Para más información, consulte el manual de instrucciones suministrado con el ordenador.

- Este proyector es compatible con un DDC2B (Canal de datos digitales 2B). Si el ordenador es compatible con un DDC, encienda el proyector de acuerdo con las indicaciones siguientes.

- 1** Conecte el proyector al ordenador mediante el cable HD D-sub de 15 terminales suministrado.
- 2** Encienda el proyector.
- 3** Inicie el ordenador.

Para conectar un ordenador compatible IBM PC/AT

Cuando se utiliza un ratón inalámbrico



Sobre la función USB

Al conectar por primera vez el proyector a un ordenador mediante el cable USB, dicho ordenador reconocerá automáticamente los siguientes dispositivos.

- 1 Hub USB (uso general)
- 2 Dispositivo de interfaz humano USB (función de ratón inalámbrico)
- 3 Dispositivo de interfaz humano USB (función de control de proyector)

Entorno operativo recomendado

Cuando utilice una función USB, conecte su ordenador como se indica en la ilustración anterior. Este software de aplicación y la función USB pueden emplearse en un ordenador con Windows 98, Windows 98 SE, Windows ME o Windows 2000 preinstalado.

Notas

- El ordenador puede no iniciarse correctamente cuando esté conectado al proyector mediante el cable USB. En este caso, desconecte el cable USB, reinicie el ordenador y, a continuación, conecte éste al proyector con el cable USB.
- No se garantiza el funcionamiento de este proyector en el modo de espera. Cuando utilice el proyector en el modo de espera, desconéctelo del puerto USB del ordenador.
- No se garantizan las operaciones con todos los entornos informáticos recomendados.

Para conectar un ordenador Macintosh

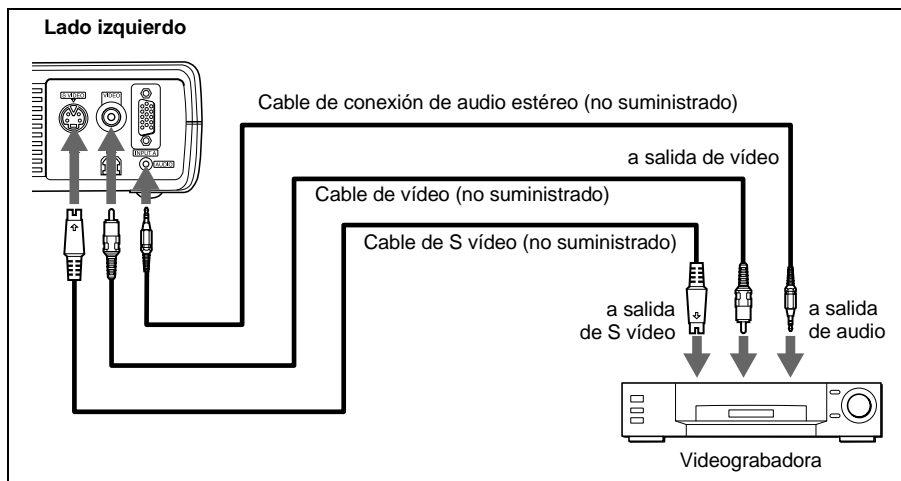
Para conectar un ordenador Macintosh cuyo conector de salida de vídeo tiene dos filas de terminales, es necesario utilizar un adaptador de venta comercial. No obstante, en este caso, no podrá controlar el ratón del ordenador mediante el mando a distancia.

Conexión a una videgrabadora o a un equipo RVA de 15k/ componente

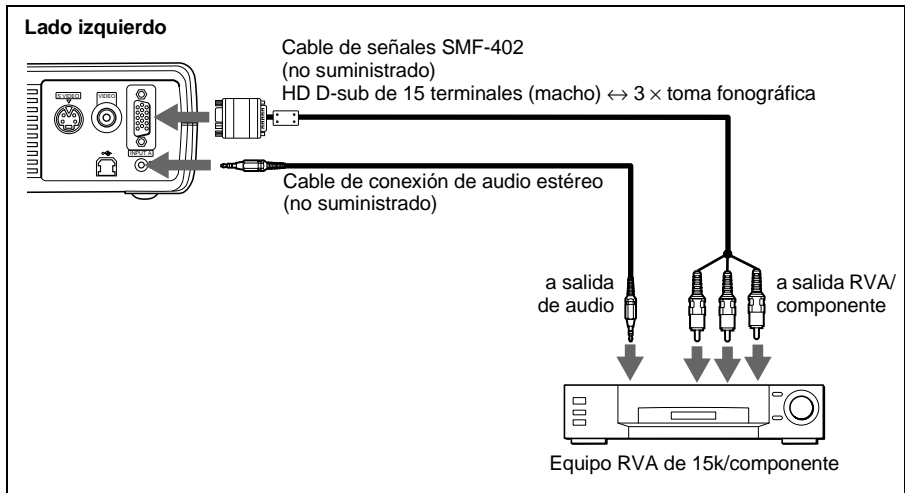
En esta sección se describe cómo conectar el proyector a una videgrabadora y a un equipo RVA de 15k/componente.

Para más información, consulte el manual de instrucciones del equipo que vaya a conectar.

Para conectar una videgrabadora



Para conectar un equipo RVA de 15k/componente

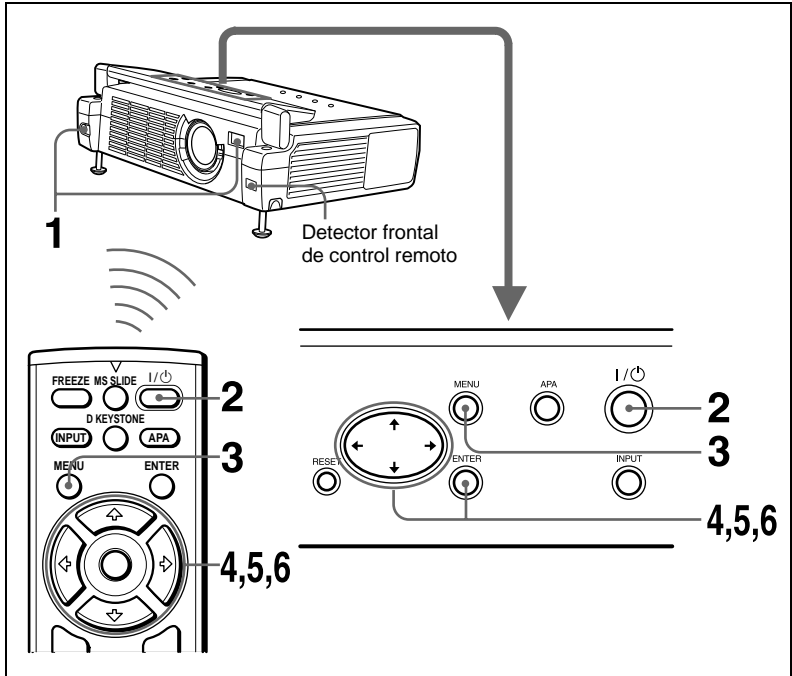


Notas

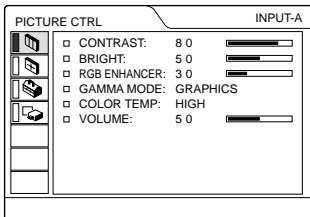
- Ajuste la relación de aspecto mediante ASPECTO del menú AJUS ENTRAD en función de la señal de entrada.
- Si conecta la unidad a un equipo RVA de 15k o de vídeo componente, seleccione GBR o componente con el ajuste ENTRAD A del menú AJUSTE.
- Utilice la señal de sincronización compuesta cuando introduzca la señal de sincronización externa del equipo RVA de 15k/componente.

Selección del idioma del menú

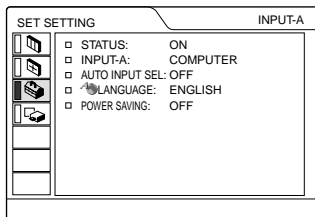
Es posible seleccionar el idioma que se desee entre los nueve existentes para el menú y demás indicaciones en pantalla. El ajuste de fábrica es el idioma inglés.



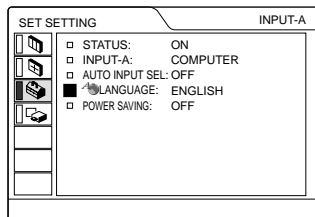
- 1 Abra la cubierta frontal y, a continuación, enchufe el cable de alimentación de CA en una toma mural.
- 2 Pulse la tecla I / ⏻ para encender el proyector.
- 3 Pulse la tecla MENU.
Aparecerá el menú.
El menú actualmente seleccionado se muestra como un botón amarillo.



- 4 Pulse la tecla **↑** o **↓** para seleccionar el menú SET SETTING (AJUSTE) y, a continuación, pulse la tecla **→** o ENTER. Aparecerá el menú seleccionado.



- 5 Pulse la tecla **↑** o **↓** para seleccionar LANGUAGE (IDIOMA) y, a continuación, pulse la tecla **→** o ENTER.



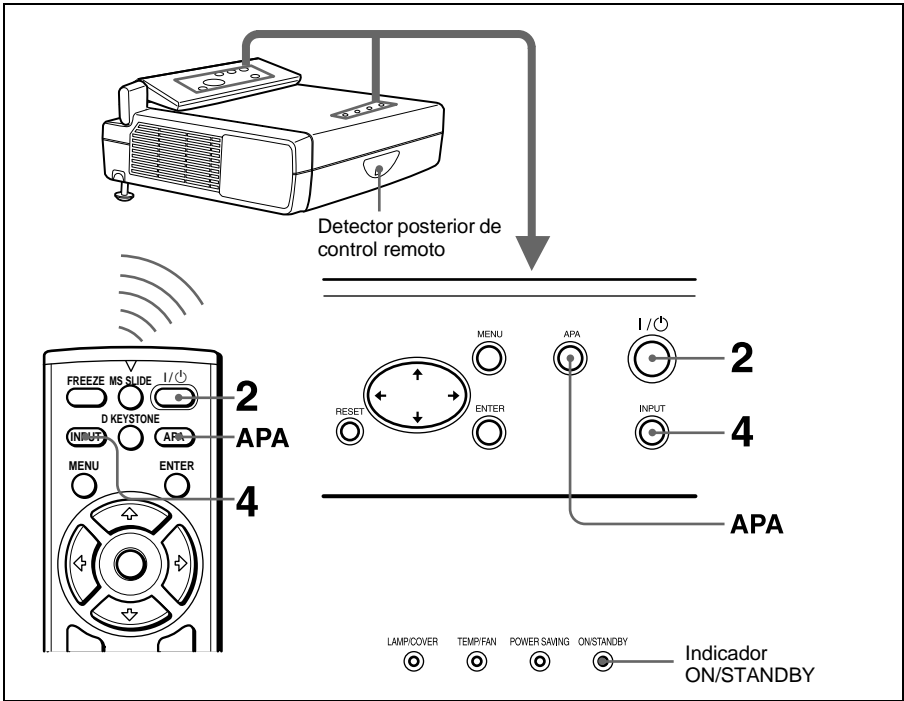
- 6 Pulse la tecla **↑** o **↓** para seleccionar un idioma y, a continuación, pulse la tecla **←** o ENTER. El menú aparecerá en el idioma seleccionado.

Para que el menú desaparezca

Pulse la tecla MENU.

El menú desaparecerá automáticamente si no pulsa ninguna tecla durante un minuto.

Proyección



- 1 Abra la cubierta frontal, enchufe el cable de alimentación de CA en una toma mural y, a continuación, conecte todos los equipos.
El indicador ON/STANDBY se iluminará en rojo y el proyector entrará en el modo de espera.
- 2 Pulse la tecla I / ⏻.
El indicador ON/STANDBY se iluminará en verde.
- 3 Encienda el equipo conectado al proyector.
- 4 Pulse la tecla INPUT para seleccionar la fuente de entrada.

Para introducir señales desde	Pulse INPUT para que aparezca
El ordenador enchufado al conector INPUT A.	ENTRAD A
El equipo de vídeo enchufado al conector de entrada VIDEO.	VIDEO
El equipo de vídeo enchufado al conector de entrada S VIDEO.	S VIDEO

5 Gire la palanca del zoom para ajustar el tamaño de la imagen.

6 Gire la palanca de enfoque para ajustar el enfoque.

Precaución

Si mira al objetivo mientras se están proyectando imágenes, puede dañarse los ojos.

Para ajustar el volumen

El volumen puede ajustarse en el menú en pantalla. Vea VOLUMEN en el menú CTRL IMAGEN (página 27).

Para controlar el ordenador mediante el mando a distancia suministrado

Si conecta un IBM PC/AT compatible al proyector con el cable USB, podrá controlar el ratón del ordenador con el mando a distancia.

Las teclas R/L CLICK y el “joystick” funcionan de la siguiente forma:

Tecla y “ joystick”	Función
R CLICK (parte delantera)	Botón derecho
L CLICK (parte trasera)	Botón izquierdo
“Joystick”	Se corresponde con los movimientos del ratón

Nota

Compruebe que nada obstruya el haz infrarrojo entre el mando a distancia y el detector de control remoto del proyector.

Para obtener imágenes con la mayor nitidez posible

Es posible ajustar la calidad de imagen al proyectar una señal del ordenador.

1 Projete una imagen fija del ordenador.

2 Pulse la tecla APA.

“Completado.” aparecerá en pantalla si la imagen está bien ajustada.

Notas

- Pulse la tecla APA cuando aparezca la imagen completa en pantalla. Si hay bordes negros alrededor de la imagen, la función APA no se activará correctamente y la imagen podrá extenderse más allá de la pantalla.
- Si cambia la señal de entrada o vuelve a conectar un ordenador, pulse la tecla APA de nuevo para volver a ajustar la imagen.
- Es posible cancelar el ajuste pulsando la tecla APA de nuevo mientras “AJUSTANDO” se encuentra en pantalla.
- La imagen puede no ajustarse adecuadamente dependiendo del tipo de señal de entrada.
- Defina los elementos del menú AJUS ENTRAD cuando ajuste la imagen de forma manual.

Para desactivar la alimentación

1 Pulse la tecla I / ⏻.

“DESACTIVAR? Por favor, vuelva a pulsar I / ⏻.” aparecerá para confirmar que desea desactivar la alimentación.

Nota

Los mensajes desaparecerán si pulsa cualquier tecla, excepto I / ⏻, o si no pulsa ninguna tecla durante cinco segundos.

2 Vuelva a pulsar la tecla I / ⏻.

El indicador ON/STANDBY parpadeará en verde y el ventilador seguirá funcionando durante unos 90 segundos para reducir el calentamiento interno. Asimismo, el indicador ON/STANDBY parpadeará rápidamente durante los primeros 60 segundos. Durante este espacio de tiempo, no podrá encender el indicador ON/STANDBY con la tecla I / ⏻.

3 Desenchufe el cable de alimentación de CA de la toma mural cuando el ventilador deje de funcionar y el indicador ON/STANDBY se ilumine en rojo.

Si no puede confirmar el mensaje en pantalla

Si no puede confirmar el mensaje en pantalla en una determinada situación, puede desactivar la alimentación manteniendo pulsada la tecla I / ⏻ durante un segundo aproximadamente.

Nota

No desenchufe el cable de alimentación de CA mientras el ventilador esté en funcionamiento; si lo hace, éste se detendrá aunque el calentamiento interno sea aún alto, lo que podría hacer que el proyector se averiase.

Filtro de aire

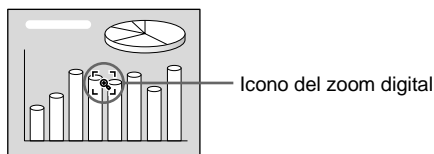
Para mantener un rendimiento óptimo, **limpie el filtro de aire cada 300 horas.**

Herramientas efectivas para las presentaciones

Para aumentar la imagen (Función de zoom digital)

Puede seleccionar un punto de la imagen que desee ampliar. Esta función está operativa cuando se introduce una señal de entrada de un ordenador.

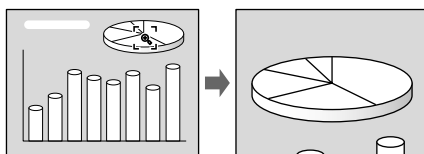
- 1 Pulse la tecla D ZOOM + del mando a distancia.
El icono del zoom digital aparecerá en el centro de la imagen.



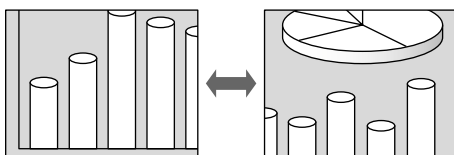
- 2 Desplace el icono hasta el punto de la imagen que desea aumentar. Utilice la tecla de flecha (↑/↓/←/→) para desplazar el icono.

- 3 Pulse de nuevo la tecla D ZOOM +.

La imagen sobre la que se sitúa el icono aumenta de tamaño y la relación de aumento se muestra en la pantalla durante unos pocos segundos. Al pulsar la tecla + varias veces, el tamaño de la imagen aumenta (relación de aumento: máx. 4 veces).



Utilice la tecla de flecha (↑/↓/←/→) para que la imagen aumentada se desplace.



Para que la imagen recupere su tamaño original

Pulse la tecla D ZOOM -.

Basta con pulsar la tecla RESET para que la imagen recupere su tamaño original de forma inmediata.

Para congelar la imagen proyectada (función FREEZE)

Pulse la tecla FREEZE. "CONGELADO" aparece en la pantalla cuando se pulsa la tecla. Esta función está operativa cuando se introduce una señal de entrada de un ordenador.

Para recuperar la pantalla original, pulse de nuevo la tecla FREEZE.

Uso del MENU

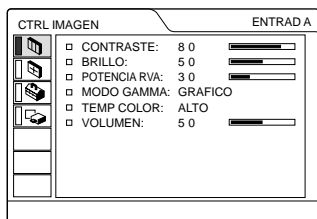
El proyector dispone de un menú en pantalla que permite realizar diversos ajustes. Puede cambiar el idioma del menú en pantalla.

Para cambiar el idioma del menú, remítase a “Selección del idioma del menú” en la página 19.

1 Pulse la tecla MENU.

Aparecerá el menú.

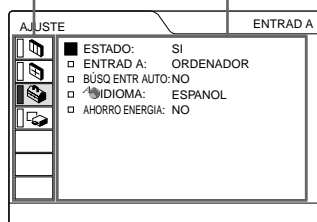
El menú actualmente seleccionado se muestra como un botón amarillo.



2 Utilice la tecla ↑ o ↓ para seleccionar un menú y, a continuación, pulse la tecla → o ENTER.

Aparecerá el menú seleccionado.

Menús Elementos de ajuste



3 Seleccione un elemento.

Utilice la tecla ↑ o ↓ para seleccionar el elemento y, a continuación, pulse la tecla → o ENTER.

4 Realice ajustes en el elemento.

- Al cambiar el nivel de ajuste:
Para que el número aumente, pulse la tecla ↑ o →.
Para que el número disminuya, pulse la tecla ↓ o ←.
Pulse la tecla ENTER para recuperar la pantalla original.
- Al cambiar el ajuste:
Pulse la tecla ↑ o ↓ para cambiar el ajuste.
Pulse la tecla ENTER o ← para recuperar la pantalla original.

Para que el menú desaparezca

Pulse la tecla MENU.

El menú desaparecerá automáticamente si no pulsa ninguna tecla durante un minuto.

Para reajustar elementos ajustados

Pulse la tecla RESET.

“Completado.” aparecerá en pantalla y los ajustes mostrados en ésta recuperarán los valores de fábrica.

Los elementos que pueden reajustarse son los siguientes:

- “CONTRASTE”, “BRILLO”, “COLOR”, “TONALIDAD”, “NITIDEZ” y “POTENCIA RVA” del menú CTRL IMAGEN.
- “FASE PUNTO”, “TAMANO H” y “DESPLAZ” del menú AJUS ENTRAD.
- “DIST TRAP DIG” del menú AJUSTE INST.

Acerca de la memoria de los ajustes

Los ajustes se almacenan automáticamente en la memoria del proyector.

Si no se introduce ninguna señal

Si no se introduce ninguna señal, la pantalla mostrará “SIN ENTRADA—Imposible ajustar este parámetro.”

Acerca de la pantalla de menú

Puede ajustar la posición de la pantalla del menú, la intensidad de la imagen de fondo y el tono de los elementos del menú como desee.

Para más información, remítase a la página 31.

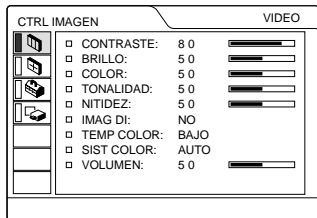
Menú CTRL IMAGEN

El menú CTRL (control) IMAGEN se utiliza para ajustar la imagen.

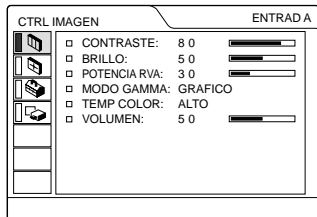
Los elementos que no pueden ajustarse dependiendo de la señal de entrada no aparecen en el menú.

Para más información sobre los elementos que no pueden ajustarse, remítase a la página 41.

Si se introduce la señal de vídeo



Si se introduce la señal RVA



Elementos de menú

CONTRASTE

Ajusta el contraste de la imagen. Cuanto mayor sea el ajuste, mayor será el contraste. Cuanto menor sea el ajuste, menor será el contraste.

BRILLO

Ajusta el brillo de la imagen. Cuanto mayor sea el ajuste, mayor será el brillo de la imagen. Cuanto menor sea el ajuste, menor será el brillo de la imagen.

COLOR

Ajusta la intensidad del color. Cuanto mayor sea el ajuste, mayor será la intensidad. Cuanto menor sea el ajuste, menor será la intensidad.

TONALIDAD

Ajusta los tonos del color. Cuanto mayor sea el ajuste, la imagen adquirirá un tono verdoso. Cuanto menor sea el ajuste, la imagen adquirirá un tono púrpura.

NITIDEZ

Ajusta la nitidez de la imagen. Cuanto mayor sea el ajuste, mayor será la nitidez de la imagen. Cuanto menor sea el ajuste, la imagen aparecerá con mayor suavidad.

POTENCIA RVA

Ajusta la nitidez de la imagen cuando se introducen señales RVA.

Cuanto mayor sea el ajuste, mayor será la nitidez de la imagen. Cuanto menor sea el ajuste, la imagen aparecerá con mayor suavidad.

IMAG DI (Dinámica)

Enfatiza el color negro.

SI: Enfatiza el color negro para producir imágenes “dinámicas” más marcadas.

NO: Reproduce las partes oscuras de la imagen con precisión, de acuerdo con la señal fuente.

MODO GAMMA

Selecciona una curva de corrección gamma.

GRAFICO: Mejora la reproducción de los medios tonos. Las fotografías pueden reproducirse con tonos naturales.

TEXTO: Contrasta el blanco y el negro.

Adecuado para imágenes que contienen mucho texto.

TEMP COLOR

Ajusta la temperatura del color.

ALTO: El color blanco adquiere un tono azulado.

BAJO: El color blanco adquiere un tono rojizo.

SIST (Sistema) COLOR

Selecciona el sistema de color de la señal de entrada.

- **AUTO:** NTSC_{3.58}, PAL, SECAM y NTSC_{4.43} (conmutación automática)
- **PAL-M/N:** PAL-M/PAL-N y NTSC_{3.58} (conmutación automática)

Normalmente, ajústelo en AUTO. Si la imagen se distorsiona o aparece sin color, seleccione el sistema de color de acuerdo con la señal de entrada.

VOLUMEN

Ajusta el volumen. El volumen puede ajustarse para cada una de las entradas ENTRADA, MS, VIDEO y S VIDEO.



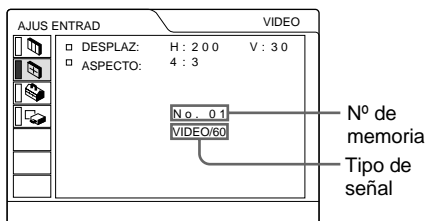
Menú AJUS ENTRAD

El menú AJUS ENTRAD se utiliza para ajustar la señal de entrada.

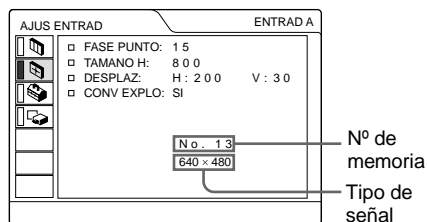
Los elementos que no pueden ajustarse dependiendo de la señal de entrada no aparecen en el menú.

Para más información sobre los elementos que no pueden ajustarse, remítase a la página 41.

Si se introduce la señal de vídeo



Si se introduce la señal RVA



Elementos de MENU

FASE PUNTO

Ajusta la fase de puntos del panel LCD y la señal de entrada del conector INPUT A.

Una vez ajustada la imagen, puede ajustarla con mayor precisión pulsando la tecla APA. Ajuste la imagen en la posición en la que aparezca con mayor nitidez.

TAMANO H

Ajusta el tamaño horizontal de la imagen introducida mediante el conector INPUT A. Cuando más alto sea el ajuste, mayor será el

tamaño horizontal de la imagen. Cuando más bajo sea el ajuste, menor será el tamaño horizontal de la imagen. Ajuste el valor en función de los puntos de la señal de entrada.

Para más información sobre el valor adecuado para las señales predefinidas, remítase a la página 42.

DESPLAZ

Ajusta la posición de la imagen. Con H se ajusta la posición horizontal de la imagen. Con V se ajusta la posición vertical de la imagen. Al aumentar el ajuste de H, la imagen se desplazará a la derecha, y al disminuirlo, se desplazará a la izquierda. Al aumentar el ajuste de V, la imagen se desplazará hacia arriba, y al disminuirlo, se desplazará hacia abajo. Emplee la tecla ← o →, para ajustar la posición horizontal y la tecla ↑ y ↓ para la posición vertical.

CONV EXPL (Convertidor de exploración)

Convierte la señal para mostrar la imagen en función del tamaño de la pantalla.

SI: Muestra la imagen de acuerdo con el tamaño de la pantalla. La imagen perderá cierta claridad.

NO: Muestra la imagen mientras hace coincidir un píxel de elemento de imagen de entrada con el del LCD. La imagen será nítida aunque su tamaño será menor.

Nota

Quando se introduce la señal XGA o SXGA, no aparece el elemento.

ASPECTO

Ajusta la relación de aspecto de la imagen. Si introduce la señal 16:9 (comprimida) desde un equipo como un reproductor de DVD, ajústela en 16:9.

4:3: Si se introduce la imagen con la relación 4:3.

16:9: Si se introduce la imagen con la relación 16:9 (comprimida).

Acerca del nº de memoria predefinida

Este proyector dispone de 37 tipos de datos predefinidos para señales de entrada (memoria predefinida). Al introducirse una señal predefinida, el proyector detecta automáticamente el tipo de señal y recupera los datos correspondientes a la misma de la memoria predefinida con el fin de ajustarla y obtener una imagen óptima. El número de memoria y el tipo de señal de esa señal aparecen en el menú AJUS ENTRAD.

También es posible ajustar los datos predefinidos mediante el menú AJUS ENTRAD.

Este proyector dispone de 20 tipos de memorias de usuario para ENTRAD A en las que es posible guardar el ajuste de los datos definidos para una señal de entrada no predefinida.

Si se introduce una señal no predefinida por primera vez, aparecerá un número de memoria (0). Cuando ajuste los datos de la señal en el menú AJUS ENTRAD, se registrarán en el proyector. Si se registran más de 20 memorias de usuario, la memoria más reciente siempre sobrescribirá la más antigua.

Consulte la tabla de la página 42 para averiguar si la señal está registrada en la memoria predefinida.

Puesto que los datos de las siguientes señales se recuperan de la memoria predefinida, puede emplear estos datos predefinidos ajustando TAMANO H. Realice ajustes de mayor precisión con DESPLAZ.

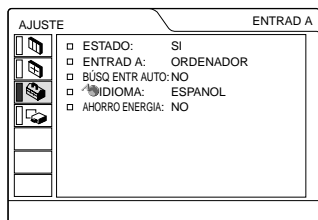
Señal	Nº de memoria	TAMAÑO
Super Mac-2	23	1.312
SGI-1	23	1.320
Macintosh 19"	25	1.328
Macintosh 21"	27	1.456
Sony News	36	1.708
PC-9821 1280 × 1024	36	1.600
WS Sunmicro	37	1.664

Nota

Si la relación de aspecto de la señal de entrada no es 4:3, parte de la pantalla aparecerá en negro.

Menú AJUSTE

El menú AJUSTE se utiliza para cambiar los valores del proyector.



Elementos de menú

ESTADO (indicación en pantalla)

Ajusta la indicación en pantalla.

SI: Muestra todas las indicaciones en pantalla.

NO: Desactiva las indicaciones en pantalla, excepto los menús, el mensaje que aparece al desconectar la alimentación y los mensajes de aviso.

ENTRAD A

Selecciona la señal GBR de vídeo, de ordenador o de componente introducida mediante el conector INPUT A.

Nota

Si el ajuste no es correcto, la pantalla mostrará “Compruebe ajuste ENTRAD A.” y el color de la imagen será extraño o ésta no aparecerá.

BÚSQ ENTR AUTO

Cuando se ajusta en SI, el proyector detecta las señales de entrada en el orden siguiente: INPUT-A/VIDEO/S-VIDEO. De esta forma se indica el canal de entrada cuando se activa la alimentación o cuando se pulsa la tecla INPUT.

IDIOMA

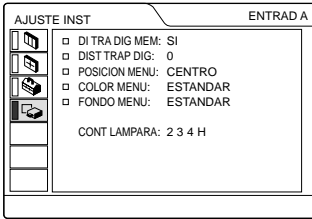
Selecciona el idioma que se utiliza en el menú y en las indicaciones en pantalla. Los idiomas que están disponibles son inglés, francés, alemán, italiano, español, portugués, japonés, chino y coreano.

AHORRO ENERGIA

Si se ajusta en SI, el proyector entrará en el modo de ahorro de energía si no se introduce ninguna señal durante 10 minutos.

Menú AJUSTE INST

El menú AJUSTE INST se utiliza para cambiar los valores de ajuste del proyector.



Elementos de menú

DI TRA DIG MEM

SI: El ajuste de DIST TRAP DIG queda almacenado. Los datos se recuperan cuando se conecta el proyector. El ajuste permanecerá igual cada vez que se conecte.

NO: DIST TRAP DIG se reajusta en el valor 0 cuando se activa la alimentación la siguiente vez.

DIST TRAP DIG

Corrige la distorsión trapezoidal causada por el ángulo de proyección.

Si la parte superior de la figura es mayor que la inferior □ : Se ajusta en un valor más.

POSICION MENU

Selecciona la posición de la pantalla del menú de IZQ SUP, IZQ INF, CENTRO, DER SUP y DER INF.

COLOR MENU

Selecciona el tono de la pantalla del menú entre ESTANDAR, CALIDO, FRIO, VERDE o GRIS.

FONDO MENU

Selecciona la intensidad de la imagen de fondo de la pantalla del menú entre OSCURO, ESTANDAR o LUMINOSO.

CONTADOR LAMPARA

Indica cuánto tiempo ha estado encendida la lámpara.

Nota

Sólo muestra el tiempo. No puede modificar esta pantalla.

Mantenimiento

Sustitución de la lámpara

Cuando la lámpara se funde, se oscurece o aparece el mensaje “Por favor cambie la lámpara”, es necesario sustituir la lámpara. Sustitúyala por una lámpara de proyector LMP-C121. La vida útil de la lámpara varía según las condiciones de uso.

Sustitución de la lámpara después de utilizar el proyector

Apague el proyector y desenchufe el cable de alimentación.

Espere al menos una hora hasta que la lámpara se enfríe.

Precaución

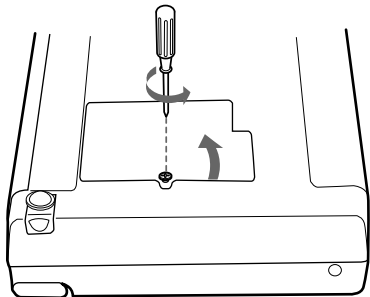
La temperatura de la lámpara será alta después de apagar el proyector con la tecla | / ⏻. **Si toca la lámpara, es posible que se quemé el dedo. Antes de sustituir la lámpara, espere al menos una hora hasta que se enfríe.**

- 1 Coloque una hoja (pañó) de protección debajo del proyector. Dé la vuelta al proyector de forma que vea la parte inferior.

Nota

Asegúrese de que el proyector se encuentra en una posición estable después de haberle dado la vuelta.

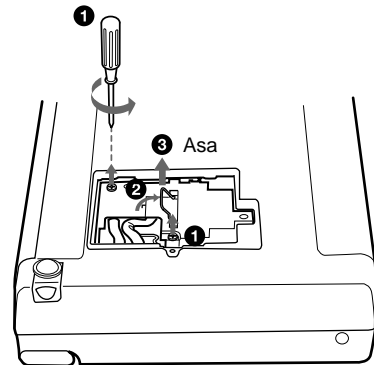
- 2 Abra la cubierta de la lámpara. Para ello, afloje un tornillo con el destornillador Phillips (suministrado con la lámpara del proyector).



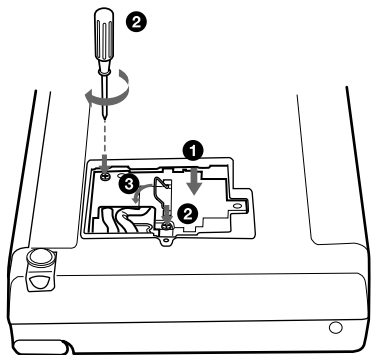
Nota

Para mayor seguridad, no afloje más tornillos.

- 3 Afloje los tornillos de la lámpara con el destornillador Phillips. Tire de la lámpara hacia fuera utilizando el asa.



- 4 Introduzca por completo la lámpara nueva hasta que quede encajada en su sitio. Apriete los tornillos. Pliegue el asa hacia arriba.



Notas

- Tenga cuidado de no tocar la superficie de cristal de la lámpara.
- La alimentación no se activará si la lámpara no está bien instalada.

- 5 Cierre la cubierta de la lámpara y apriete los tornillos.
- 6 Vuelva a darle la vuelta al proyector.

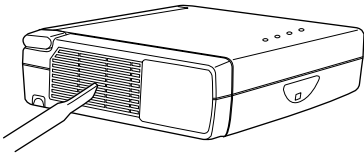
- 7 Conecte el cable de alimentación y ajuste el proyector en el modo de espera.
- 8 Pulse las siguientes teclas del panel de control en el orden indicado durante menos de cinco segundos cada una: RESET, ←, →, ENTER.

Notas

- **Asegúrese de utilizar la lámpara de proyector LMP-C121 para la sustitución.** Si utiliza otras lámparas que no sean LMP-C121, el proyector puede provocar fallos de funcionamiento.
- Compruebe que apaga el proyector y desenchufa el cable de alimentación antes de sustituir la lámpara.
- **Con el fin de evitar descargas eléctricas o incendios,** no introduzca las manos en el compartimento de sustitución de la lámpara, ni permita que se introduzcan líquidos ni objetos.

Limpeza del filtro de aire

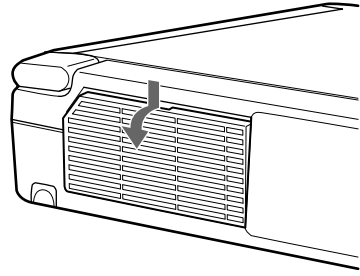
El filtro de aire debe limpiarse cada 300 horas.
Elimine el polvo de la parte exterior de los orificios de ventilación con un aspirador.



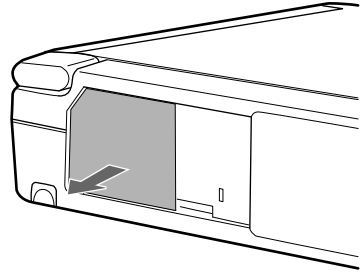
Si resulta difícil retirar el polvo del filtro con un aspirador, desmonte el filtro de aire y lávelo.

- 1 Desactive la alimentación y desenchufe el cable de alimentación.

- 2 Extraiga la cubierta del filtro de aire.



- 3 Extraiga el filtro de aire.



- 4 Lave el filtro de aire con una solución detergente suave y déjelo secar a la sombra.
- 5 Fije el filtro de aire y vuelva a colocar la cubierta.


Notas

- **No descuide la limpieza del filtro de aire, de lo contrario el polvo podría acumularse hasta llegar a obstruirlo. Ello podría provocar un aumento de la temperatura en el interior de la unidad y originar un incendio, o ser la causa de un mal funcionamiento.**
- Si no es posible eliminar el polvo del filtro de aire, sustitúyalo por el nuevo suministrado.
- Asegúrese de fijar bien la cubierta del filtro de aire; la alimentación no se activará si no está bien cerrada.
- El filtro de aire tiene una cara frontal y otra inversa. Colóquelo de forma que encaje en una hendidura de la cubierta del mismo.

Solución de problemas

Si el proyector parece no funcionar correctamente, intente diagnosticar y corregir el problema utilizando las siguientes instrucciones. Si el problema no se soluciona, consulte con personal Sony especializado.

Alimentación

Problema	Causa y solución
La alimentación no se activa.	<ul style="list-style-type: none">• La alimentación se ha desactivado y activado de nuevo con la tecla I /  en un corto intervalo. → Espere unos 90 segundos antes de activar la alimentación (remítase a la página 23).• La cubierta de la lámpara no está fijada. → Cierre firmemente la cubierta de la lámpara (remítase a la página 32).• La cubierta del filtro de aire no está fijada. → Cierre firmemente la cubierta del filtro de aire (remítase a la página 33).
Los indicadores LAMP/COVER y TEMP/FAN se iluminan.	<ul style="list-style-type: none">• Se ha producido una avería en el sistema eléctrico. → Consulte con personal Sony especializado.

Imagen

Problema	Causa y solución
No aparece la imagen.	<ul style="list-style-type: none">• El cable está desconectado o las conexiones son incorrectas. → Compruebe que ha realizado las conexiones adecuadas (remítase a la página 15).• La selección de entrada es incorrecta. → Seleccione la fuente de entrada correctamente con la tecla INPUT (remítase a la página 21).• La señal del ordenador no está ajustada para enviarse a un monitor externo. → Ajuste la señal del ordenador para enviarse a un monitor externo (remítase a la página 15).• La señal del ordenador está ajustada para enviarse al LCD del mismo y a un monitor externo. → Ajuste la señal del ordenador para enviarse solamente al monitor externo (remítase a la página 15).
La imagen aparece con ruido.	<ul style="list-style-type: none">• Puede aparecer ruido de fondo en función de la combinación de los números de entrada de puntos del conector y de los números de píxeles del panel LCD. → Cambie el patrón del escritorio del ordenador conectado.
El color de la imagen del conector INPUT A es extraño.	<ul style="list-style-type: none">• El ajuste de ENTRAD A del menú AJUSTE es incorrecto. → Seleccione ORDENADOR, VIDEO GBR o COMPONENTE para ENTRAD A en el menú AJUSTE en función de la señal de entrada (remítase a la página 30).

Problema	Causa y solución
Aparece “Compruebe ajuste ENTRAD A.” a pesar de introducir la señal correcta desde INPUT A.	<ul style="list-style-type: none"> • El ajuste de ENTRAD A del menú AJUSTE es incorrecto. <ul style="list-style-type: none"> → Seleccione ORDENADOR, VIDEO GBR o COMPONENTE para ENTRAD A en el menú AJUSTE en función de la señal de entrada (remítase a la página 30).
La indicación en pantalla no aparece.	<ul style="list-style-type: none"> • Ha ajustado ESTADO en el menú AJUSTE en NO. <ul style="list-style-type: none"> → Ajuste ESTADO en el menú AJUSTE en SI (remítase a la página 30).
El balance de color es incorrecto.	<ul style="list-style-type: none"> • No ha ajustado correctamente la imagen. <ul style="list-style-type: none"> → Ajuste la imagen (remítase a la página 26). • El proyector está ajustado en un sistema de color incorrecto. <ul style="list-style-type: none"> → Defina SIST COLOR en el menú CTRL IMAGEN de acuerdo con el sistema de color de entrada (remítase a la página 27).
La imagen es demasiado oscura.	<ul style="list-style-type: none"> • El contraste o el brillo no se ha ajustado correctamente. <ul style="list-style-type: none"> → Ajuste el contraste o el brillo en el menú CTRL IMAGEN correctamente (remítase a la página 26).
La imagen no es nítida.	<ul style="list-style-type: none"> • La imagen está desenfocada. <ul style="list-style-type: none"> → Ajuste el enfoque (remítase a la página 22). • Se ha condensado humedad en el objetivo. <ul style="list-style-type: none"> → Deje el proyector encendido durante unas dos horas.
La imagen en pantalla aparece demasiado pequeña.	<ul style="list-style-type: none"> • No ha ajustado correctamente DESPLAZ en el menú AJUS ENTRAD. <ul style="list-style-type: none"> → Ajuste DESPLAZ en el menú AJUS ENTRAD correctamente (remítase a la página 28).
La imagen parpadea.	<ul style="list-style-type: none"> • No ha ajustado correctamente FASE PUNTO en el menú AJUS ENTRAD. <ul style="list-style-type: none"> → Ajuste FASE PUNTO en el menú AJUS ENTRAD correctamente (remítase a página 28).

Sonido

Problema	Causa y solución
No se oye el sonido.	<ul style="list-style-type: none"> • El cable está desconectado o las conexiones son incorrectas. <ul style="list-style-type: none"> → Compruebe que ha realizado las conexiones adecuadas (remítase a la página 15).
Cuando se produce la entrada de sonido mediante el conector AUDIO, el sonido se oye sólo por un canal.	<ul style="list-style-type: none"> • Se produce la entrada de sonido monofónico a través del conector AUDIO. <ul style="list-style-type: none"> → Introduzca sonido estéreo.

Mando a distancia

Problema	Causa y solución
El mando a distancia no funciona.	<ul style="list-style-type: none"> • La pila del mando a distancia está agotada. <ul style="list-style-type: none"> → Sustitúyala por una nueva (remítase a la página 11).

Otros

Problema	Causa y solución
El indicador LAMP/COVER parpadea.	<ul style="list-style-type: none"> • La cubierta de la lámpara o la del filtro de aire no está fijada. → Fije la cubierta correctamente (remítase a la página 32).
El indicador LAMP/COVER se ilumina.	<ul style="list-style-type: none"> • La lámpara ha llegado al final de su vida útil. → Sustituya la lámpara (remítase a la página 32). • La lámpara se calienta en exceso. → Espere 90 segundos para que la lámpara se enfríe y vuelva a activar la alimentación (remítase a la página 23).
El indicador TEMP/FAN parpadea.	<ul style="list-style-type: none"> • El ventilador está averiado. → Consulte con personal Sony especializado.
El indicador TEMP/FAN se ilumina.	<ul style="list-style-type: none"> • La temperatura interna es inusualmente alta. → Compruebe que nada bloquea los orificios de ventilación.
Los indicadores LAMP/COVER y TEMP/FAN se iluminan.	<ul style="list-style-type: none"> • Se ha producido una avería en el sistema eléctrico. → Consulte con personal Sony especializado.

Mensajes de aviso

Utilice la siguiente lista para comprobar el significado de los mensajes que aparecen en pantalla.

Mensaje	Significado y solución
Temperatura alta! Apag. 1 min.	<ul style="list-style-type: none"> • La temperatura interna es demasiado alta. → Desactive la alimentación. → Compruebe que nada bloquea los orificios de ventilación.
Frecuencia fuera de rango!	<ul style="list-style-type: none"> • Esta señal de entrada no puede proyectarse ya que la frecuencia se encuentra fuera del margen admisible del proyector. → Introduzca una señal que se encuentre dentro del margen de la frecuencia. • El ajuste de resolución de la señal de salida del ordenador es demasiado alto. → Establezca el ajuste de la señal de salida en XGA (remítase a la página 15).
Compruebe ajuste ENTRAD A.	<ul style="list-style-type: none"> • Ha introducido la señal RVA del ordenador cuando ENTRAD A del menú AJUSTE está ajustada en COMPONENTE. → Ajuste ENTRAD A correctamente (remítase a la página 30).
Por favor cambie la lámpara.	<ul style="list-style-type: none"> • Es necesario sustituir la lámpara. → Sustituya la lámpara.

Mensajes de precaución

Utilice la siguiente lista para comprobar el significado de los mensajes que aparecen en pantalla.

Mensaje	Significado y solución
SIN ENTRADA	<ul style="list-style-type: none">• Ninguna señal de entrada. → Compruebe las conexiones (remítase a la página 15).
No aplicable!	<ul style="list-style-type: none">• Ha pulsado una tecla incorrecta. → Pulse la tecla apropiada.

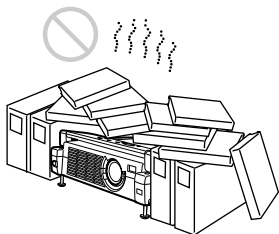


Notas sobre la instalación

Instalación inadecuada

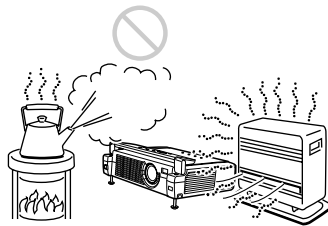
No instale el proyector en las siguientes situaciones. **Estas instalaciones pueden producir fallos de funcionamiento o daños al proyector.**

Ventilación escasa



- Permita una circulación de aire adecuada para evitar el recalentamiento interno. No coloque la unidad sobre superficies (alfombras, mantas, etc.) ni cerca de materiales (cortinas, tapices, etc.) que puedan bloquear los orificios de ventilación. Si se produce recalentamiento interno debido al bloqueo de los orificios, el sensor de temperatura se activará y aparecerá el mensaje “Temperatura alta! Apag. 1 min.” La alimentación se desactivará automáticamente tras un minuto.
- Deje un espacio superior a 30 cm (11 7/8 pulgadas) alrededor de la unidad.
- Procure que no se introduzcan elementos extraños de tamaño reducido por los orificios de ventilación, como por ejemplo trozos de papel.

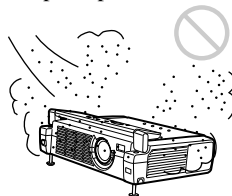
Calor y humedad excesivos



- Evite instalar la unidad en lugares en los que la temperatura o la humedad sean muy elevadas, o en los que la temperatura sea muy baja.
- Para evitar que se condense humedad, no instale la unidad en lugares en los que la temperatura pueda aumentar rápidamente.

Polvo excesivo

Evite instalar la unidad en lugares en los que haya mucho polvo; en caso contrario, el filtro de aire se obstruirá. Si el polvo bloquea el paso de aire por el filtro, es posible que el calentamiento interno del proyector aumente. Límpielo periódicamente.

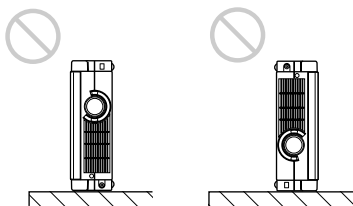


Condiciones inadecuadas

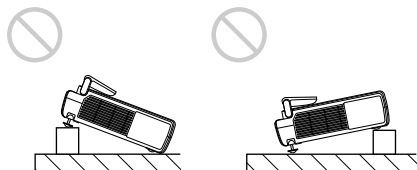
No emplee el proyector en las siguientes condiciones.

Unidad en posición vertical

Evite utilizar la unidad en posición vertical apoyada en un lateral. Pueden producirse fallos de funcionamiento.

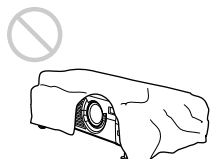


Inclinación de la unidad fuera del margen de regulación del ajustador



Instale la unidad únicamente sobre el suelo. Evite utilizar la unidad con una inclinación que se encuentre fuera del margen de regulación del ajustador. Tal instalación puede causar fallos de funcionamiento.

Bloqueo de los orificios de ventilación



Evite emplear algo que cubra los orificios de ventilación (de escape/aspiración); en caso contrario, es posible que se produzca un recalentamiento interno.

Especificaciones

Características ópticas

Sistema de proyección	3 paneles LCD, 1 objetivo, sistema de proyección
Panel LCD	Panel LCD de TFT de 0,7 pulgadas con microobjetivos, 2.359.296 píxeles (786.432 píxeles × 3)
Objetivo	Zoom de 1,2 aumentos f 28,4 a 34,0 mm/F 1,8 a 2,2
Lámpara	UHP de 120 W
Tamaño de imagen de proyección	Margen: 40 a 150 pulgadas (medida diagonal)
Salida de iluminación	ANSI lumen ¹⁾ 1000 lm
Distancia de proyección	Cuando se introduce la señal XGA 40 pulgadas: 1593 a 1845 mm (62 ³ / ₈ a 72 ⁷ / ₈ pulgadas) 60 pulgadas: 2413 a 2789 mm (95 a 109 ⁷ / ₈ pulgadas) 80 pulgadas: 3232 a 3733 mm (127 ¹ / ₄ a 146 ⁷ / ₈ pulgadas) 100 pulgadas: 4051 a 4677 mm (159 ¹ / ₂ a 184 ³ / ₈ pulgadas) 120 pulgadas: 4870 a 5621 mm (191 ¹ / ₈ a 221 ³ / ₈ pulgadas) 150 pulgadas: 6099 a 7037 mm (240 ¹ / ₄ a 277 ¹ / ₄ pulgadas)

1) ANSI lumen es un método de medida de American National Standard IT 7.228.

Características eléctricas

Sistema de color	Sistema NTSC _{3.58} /PAL/SECAM/NTSC _{4.43} /PAL-M/PAL-N, conmutado automática/manualmente
Resolución	750 líneas de TV horizontales (entrada de vídeo) 1.024 × 768 puntos (entrada RVA)
Señales de ordenador admisibles	fH: 19 a 92 kHz fV: 50 a 92 Hz
Altavoz	Sistema de altavoces estéreo, 28 mm (1 ¹ / ₈ pulgadas) de diámetro, máx. 0,5 W × 2

Otros

Entrada/Salida

Entrada de vídeo

VIDEO: tipo fonográfico
Vídeo compuesto: 1 Vp-p \pm 2 dB sincronización negativa (terminación de 75 ohmios)
S VIDEO: tipo Y/C mini DIN de 4 terminales (macho)
Y (luminancia): 1 Vp-p \pm 2 dB sincronización negativa (terminación de 75 ohmios)
C (crominancia): sincronización de color
0,286 Vp-p \pm 2 dB (NTSC) (terminación de 75 ohmios), sincronización de color
0,3 Vp-p \pm 2 dB (PAL) (terminación de 75 ohmios)

INPUT A

HD D-sub de 15 terminales (hembra)
RVA/componente analógico:
R/R-Y: 0,7 Vp-p \pm 2 dB (terminación de 75 ohmios)
G: 0,7 Vp-p \pm 2 dB (terminación de 75 ohmios)
G con sincronización/Y: 1 Vp-p \pm 2 dB sincronización negativa (terminación de 75 ohmios)
B/B-Y: 0,7 Vp-p \pm 2 dB (terminación de 75 ohmios)
SYNC/HD:

Entrada de sincronización

compuesta: 1-5 Vp-p alta impedancia, positiva/negativa

Entrada de sincronización

horizontal: 1-5 Vp-p alta impedancia, positiva/negativa

VD:

Entrada de sincronización

vertical: 1-5 Vp-p alta impedancia, positiva/negativa

AUDIO

Minitoma estéreo
500 mVrms, impedancia superior a 47 kilohmios

Hub USB

Superior (hembra) \times 1

Normas de seguridad

UL60950, cUL (CSA N° 60950), FCC Clase B, IC Clase B, NEMKO (EN60950), CE (LVD, EMC), C-Tick

Información general

Dimensiones 275 \times 65 \times 214 mm (10 ⁷/₈ \times 2 ⁵/₈ \times 8 ¹/₂ pulgadas) (anchura/altura/profundidad) (con la cubierta frontal cerrada, sin partes salientes)

Peso Aprox. 2,4 kg (5 libras 5 onzas)

Requisitos de alimentación CA 100 a 240 V, 1,9-0,8A, 50/60 Hz

Consumo de energía Máx. 190 W (Modo de espera: 5 W)

Disipación de calor 648,4 BTU

Temperatura de funcionamiento 0°C a 35°C (32°F a 95°F)

Humedad de funcionamiento 35% a 85% (sin condensación)

Temperatura de almacenamiento -20°C a 60°C (-4°F a 140°F)

Humedad de almacenamiento 10% a 90%

Accesorios suministrados

Mando a distancia RM-PJM11 (1)
Pilas tamaño AA (R6) (2)
Cable HD D-sub de 15 terminales (2 m) (1)
(1-791-992-21)
Cable USB tipo A - tipo B (1)
(1-790-081-31)
CD-ROM (Software de aplicación) (1)
Estuche de transporte (1)
Cable de alimentación de CA (1)
Filtro de aire (para sustitución) (1)
Manual de instrucciones (1)
Tarjeta de referencia rápida (1)
Núcleo de ferrita (1)

El diseño y las especificaciones están sujetos a cambios sin previo aviso.

Accesorios opcionales

Lámpara de proyector

LMP-C121 (para sustitución)

Cable de señales

SMF-402 (HD D-sub de 15 terminales (macho) ↔ 3 × tipo fonográfico (macho))

Pantallas

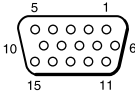
Pantalla portátil de 50 pulgadas VPS-50C¹⁾
Pantalla plana de 100 pulgadas VPS-100FH

Algunos artículos pueden no estar disponibles en ciertas zonas. Para más información, consulte con el centro Sony más próximo.

1) La pantalla VPS-50C puede no estar disponible en ciertas zonas. Para más información, consulte con el centro Sony más próximo.

Asignación de terminales

Conector INPUT A (HD D-sub de 15 terminales, hembra)



1	R/R-Y	9	N.C.
2	G/Y	10	GND
3	B/B-Y	11	GND
4	GND	12	DDC/SDA
5	GND	13	HD/SyncC.
6	GND (R)	14	VD
7	GND (G)	15	DDC/SCL
8	GND (B)		

Señales de entrada y elementos ajustables/de ajuste

Menú CTRL IMAGEN

Elemento	Señal de entrada				
	Vídeo o S vídeo (Y/C)	Com-ponente	Vídeo GBR	Orde-nador	B&N
CONTRASTE	●	●	●	●	●
BRILLO	●	●	●	●	●
COLOR	●	●	●	-	-

Elemento	Señal de entrada				
	Vídeo o S vídeo (Y/C)	Com-ponente	Vídeo GBR	Orde-nador	B&N
TONALIDAD	● (sólo NTSC 3.58/4.43)	●	●	-	-
NITIDEZ	●	●	●	-	●
POTENCIA RVA	-	-	-	●	-
IMAG DI	●	●	●	-	●
MODO GAMMA	-	-	●	●	-
TEMP COLOR	●	●	●	●	●
SIST COLOR	●	-	-	-	●
VOLUMEN	●	●	●	●	●

● : Ajustable/puede ajustarse

- : No ajustable/no puede ajustarse

Menú AJUS ENTRAD

Elemento	Señal de entrada				
	Vídeo o S vídeo (Y/C)	Com-ponente	Vídeo GBR	Orde-nador	B&N
FASE PUNTO	-	-	-	●	-
TAMANO H	-	-	-	●	-
DESPLAZ	●	●	●	●	●
CONV EXPLO	-	-	-	● (menor que SVGA)	-
ASPECTO	●	●	●	-	●

● : Ajustable/puede ajustarse

- : No ajustable/no puede ajustarse

Otros

Señales predefinidas

Nº de memoria	Señal predefinida		fH (kHz)	fV (Hz)	Sincronización	TAMAÑO
1	Vídeo 60 Hz		15,734	59,940		
2	Vídeo 50 Hz		15,625	50,000		
3	RVA de 15k/componente 60 Hz		15,734	59,940	S en G/Y o sincronización compuesta	
4	RVA de 15k/componente 50 Hz		15,625	50,000	S en G/Y o sincronización compuesta	
6	640 × 350	Modo VGA 1	31,469	70,086	H-pos, V-neg	800
7		VGA VESA 85 Hz	37,861	85,080	H-pos, V-neg	832
8	640 × 400	PC-9801 Normal	24,823	56,416	H-neg, V-neg	848
9		Modo VGA 2	31,469	70,086	H-neg, V-pos	800
10		VGA VESA 85 Hz	37,861	85,080	H-neg, V-pos	832
11	640 × 480	Modo VGA 3	31,469	59,940	H-neg, V-neg	800
12		Macintosh 13"	35,000	66,667	H-neg, V-neg	864
13		VGA VESA 72 Hz	37,861	72,809	H-neg, V-neg	832
14		VGA VESA 75 Hz	37,500	75,000	H-neg V-neg	840
15		VGA VESA 85 Hz	43,269	85,008	H-neg V-neg	832
16	800 × 600	SVGA VESA 56 Hz	35,156	56,250	H-pos, V-pos	1024
17		SVGA VESA 60 Hz	37,879	60,317	H-pos, V-pos	1056
18		SVGA VESA 72 Hz	48,077	72,188	H-pos, V-pos	1040
19		SVGA VESA 75 Hz	46,875	75,000	H-pos, V-pos	1056
20		SVGA VESA 85 Hz	53,674	85,061	H-pos, V-pos	1048
21	832 × 624	Macintosh 16"	49,724	74,550	H-neg, V-neg	1152
22	1024 × 768	XGA VESA 43 Hz	35,522	43,479	H-pos, V-pos	1264
23		XGA VESA 60 Hz	48,363	60,004	H-neg, V-neg	1344
24		XGA VESA 70 Hz	56,476	70,069	H-neg, V-neg	1328
25		XGA VESA 75 Hz	60,023	75,029	H-pos, V-pos	1312
26		XGA VESA 85 Hz	68,677	84,997	H-pos, V-pos	1376
27	1152 × 864	SXGA VESA 70 Hz	63,995	70,016	H-pos, V-pos	1472
28		SXGA VESA 75 Hz	67,500	75,000	H-pos, V-pos	1600
29		SXGA VESA 85 Hz	77,487	85,057	H-pos, V-pos	1568
30	1152 × 900	Sunmicro LO	61,795	65,960	H-neg, V-neg	1504
31		Sunmicro HI	71,713	76,047	H-neg, V-neg	1472

Nº de memoria	Señal predefinida		fH (kHz)	fV (Hz)	Sincronización	TAMAÑO
32	1280 × 960	SXGA VESA 60 Hz	60,000	60,000	H-pos, V-pos	1800
33		SXGA VESA 75 Hz	75,000	75,000	H-pos, V-pos	1728
34	1280 × 1024	SXGA VESA 43 Hz	46,433	43,436	H-pos, V-pos	1696
35		SGI-5	53,316	50,062	S en G	1680
36		SXGA VESA 60 Hz	63,974	60,013	H-pos, V-pos	1696
37		SXGA VESA 75 Hz	79,976	75,025	H-pos, V-pos	1688
38		SXGA VESA 85 Hz	91,146	85,024	H-pos, V-pos	1296

Nota

- Si se introduce una señal que no sea una de las predefinidas que se indican, es posible que la imagen no se vea correctamente.

Advertencia sobre la conexión de alimentación

Utilice un cable de alimentación adecuado al suministro eléctrico local.

	Estados Unidos y Canadá	Europa continental	Reino Unido	Australia	Japón
Tipo de enchufe	YP-11	YP-21	SP-61	B8	YP-13
Extremo hembra	YC-13L	YC-13L	YC-13L	C7-2	YC-13L
Tipo de cable	SPT-2	H03VVH2-F	H03VVH2-F	H03VVH2-F	VFF
Corriente y tensión nominal	10A/125V	2,5A/250V	2,5A/250V	2,5A/250V	7A/125V
Aprobación de seguridad	UL/CSA	VDE	BS	SAA	DENAN

Otros

Índice

A

Accesorios opcionales	41
Accesorios	
suministrados	40
AHORRO ENERGIA	30
Ajustador	9
Ajuste	
Imagen	22, 26
Memoria de los	
ajustes	25
Tamaño/desplazamiento	
de la imagen	28
Alimentación	
Activación	21
Asignación de	
terminales	41
ASPECTO	28

B

BRILLO	26
BÚSQ ENTR AUTO	30

C

COLOR	26
COLOR MENU	31
Conector del	
Memory Stick	10
Conector INPUT A	10
Asignación de	
terminales	41
Conector USB	11, 16
Conexiones	
Equipo componente	17
Ordenador	15
Videgrabadora	17
CONTRASTE	26
CONV EXPLO	
(Convertidor de	
exploración)	28

D

DESPLAZ	28
Detector de control remoto	
Frontal	7
Posterior	8

E

Ejemplos de	
instalación	14
Condiciones	
inadecuadas	39
Instalación	
inadecuada	38
Notas	38
ENTRAD A	30
Especificaciones	39
ESTADO (indicación en	
pantalla)	30

F

FASE PUNTO	28
Filtro de aire	33
FONDO MENU	31
Función de zoom	
digital	24

I

IDIOMA	30
Selección del idioma	
del menú	19
IMAG DI (Dinámica)	26

M

Mando a distancia	11
Ubicación y función de	
los controles	11
Mensajes	
Aviso	36
Precaución	37
Menú	
AJUS ENTRAD	28
AJUSTE	30
CTRL IMAGEN	26
Desactivación de la	
pantalla de	
menú	25
Uso del menú	25
Menú AJUS ENTRAD ..	28
Menú AJUSTE	30
Menú AJUSTE INST	31
Menú CTRL IMAGEN ..	26
MODO GAMMA	26

N

NITIDEZ	26
---------------	----

O

Orificios de ventilación	
Aspiración	8
Escape	8

P

POSICION MENU	31
POTENCIA RVA	26
POWER SAVING	7
Precauciones	4

R

Reajuste	
Elementos que pueden	
reajustarse	25
Reajuste de	
elementos	25

S

SIST (Sistema)	
COLOR	27
Solución de problemas ...	34
Sustitución de la	
lámpara	32

T

Tamaño de la	
pantalla	14, 39
TAMANO H	28
TEMP COLOR	27
TONALIDAD	26

U

Ubicación y función de los	
controles	
Mando a distancia	11
Panel de conectores	10
Panel de control	10
Parte frontal/lateral/	
inferior	7
Parte posterior/lateral	
izquierda	7

V

VOLUMEN	27
---------------	----

<http://www.sony.net/>

Printed on recycled paper

Sony Corporation Printed in Japan