

# Visuals

## Leave a lasting impression.

With 2800 ANSI lumens, it is easy to see your presentation in any environment. And the APA, 3D Gamma Correction, RGB Enhancer, and Digital Keystone features will make your pictures look their best.

# Audio

## Complete the experience.

A three-way stereo speaker system will support your visuals.

# Presentation tools

## Make life easier for you and your audience.

PROJECTOR STATION software, USB functions keys, Digital Zoom, and a laser pointer will help you make your presentations run smoothly. And keep your audience involved. Your main presentation tool - your projector - should go unnoticed. The VPL-PX31/PX21 is almost silent.

# Flexibility

## With wide installation capabilities.

The VPL-PX31/PX21 can be mounted on a ceiling, on a floor or installed in a rear projection system. Combined with a choice of three optional lenses, it has the flexibility to be used in a wide range of installations. An extensive array of inputs lets you choose what signal to use.

For Powerful Presentations...  
the **VPL-PX31/PX21**



# Keys to Powerful Presentations

- provided by the Sony VPL-PX31/PX21 LCD Projector



# Picture Quality

## • Brightness and Resolution

With the newly developed Sony LCD panels and a 200 W UHP lamp, the VPL-PX31 offers an outstanding brightness of 2800 ANSI lumens, while the VPL-PX21 provides an impressive 1800 ANSI lumens. You can project a high-quality, high-contrast image, even in high ambient light conditions. The VPL-PX31 and VPL-PX21 both utilise three 1.3-inch XGA LCD panels. The details of the original images are maintained, while rich and natural colours are reproduced.

## • APA (Auto Pixel Alignment)

Dot phase and image size or shift can be automatically adjusted to their optimal settings just by pressing the APA button.

## • 3D Gamma Correction

The 3D Digital Gamma correction circuit provides superb gray scale reproduction and, at the same time, helps to improve overall picture uniformity.

## • RGB Enhancer

For a crisper RGB image, the VPL-PX31/PX21 is equipped with an RGB Enhancer function. A simple adjustment provides heightened image quality to match any image source - whether text, photos, or graphics.

# Effective Presentations

The VPL-PX31/PX21 makes effective presentations as simple as possible with a variety of advanced features. And with fan noise of less than 34 dB, the VPL-PX31/PX21 also makes your presentations as silent as possible.

## • Digital Zoom

The VPL-PX31/PX21 is equipped with a 4-times Digital Zoom that is easily controlled via the supplied RM-PJM610 remote control unit. With Digital Zoom, you can focus in on a section of your presentation for more detail.

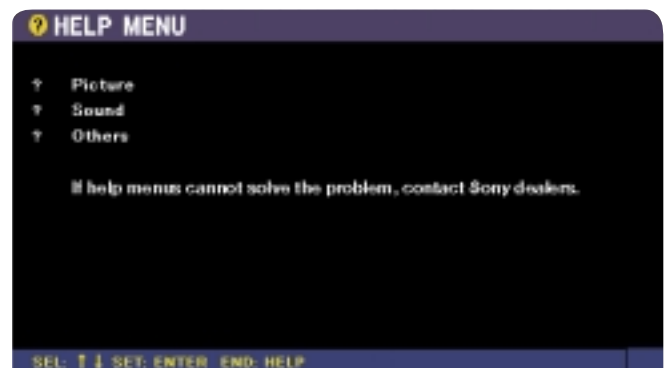
## • USB Capability

The VPL-PX31/PX21 is USB-ready and can serve as a USB hub for daisychain connection of multiple devices. It can be controlled from a PC on which the supplied PROJECTOR STATION version 2.0 software has been installed.

## **PROJECTOR STATION**

Promoting greater integration between projector and computer

PROJECTOR STATION\* software from Sony will make your presentations go off without a hitch. Not only does this software let you control the VPL-PX31/PX21 from your computer, it also helps you organise your presentation materials for quicker access, using the two function keys on the remote control unit.



\*PROJECTOR STATION version 2.0 software requirements:  
Microsoft® Windows® 98, Windows® 98 SE or Windows® 2000 operating system.



### • **Help Menu**

The on-screen Help Menu of the VPL-PX31/PX21 will assist in troubleshooting during operation. Easy-to-follow prompts will guide you to the solution of your problem.

### • **Remote Control Unit**

The laser pointer-equipped remote control unit lets you direct your audience's attention and guide them through your presentation.

### • **Stereo Sound**

A three-way speaker system provides stereo sound to complement your presentation visuals.



RM-PJM610  
remote control unit

# Flexibility

The VPL-PX31/PX21 is designed for use in a variety of environments. Even with its portable design, it functions equally well when installed for ceiling, floor, or rear projection use

## • Optional Lenses

Three optional lenses are available, giving you the ability to customise the VPL-PX31/PX21 to perfectly suit your projection environment.

### VPLL-FM21

- Fixed short focus lens
- Throw ratio\*: 0.9:1

### VPLL-ZM31

- 1.1 times zoom short focus lens
- Throw ratio: 1.55-1.62:1

### VPLL-ZM101

- 1.5 times zoom short focus lens
- Throw ratio: 3.35-4.9:1

\*Throw ratio is the distance between the centre of the projector lens and the screen, divided by the screen width.

## • Lamp Power Selection

The lamp power of the VPL-PX31/PX21 is selectable via the on-screen Lamp Mode menu. When set to LOW, lamp life is approximately doubled and fan noise is further reduced. Yet the VPL-PX31 still produces an impressive 2100 ANSI lumens. When set to LOW, the VPL-PX21 produces 1350 ANSI lumens.

## • Digital Keystone

Keystone distortion, caused when the projection angle is not properly calibrated, can be easily corrected within the wide adjustment range of +/- 20 degrees via the on-screen menu.

## • Signal Support

For added versatility, the VPL-PX31/PX21 accepts a wide range of input signals: Composite Video, S Video, Y/R-Y/B-Y, YBPBR, and RGB, with a horizontal frequency of 15 to 91 kHz and a vertical frequency of 43 to 85 Hz. Anticipating the move from analogue to digital, a Digital RGB input has also been added. Finally, to meet the demands of DTV, a variety of digital signals (480/60P, 575/50P, 1080/50I, 720/60P, 720/50P) are also fully supported.

## • On-Screen Display

The on-screen display menu is available in seven languages.



VPLL-FM21



VPLL-ZM101



VPLL-ZM31



## Input Signal Preset Data

N.	Resolution		fH (kHz)	fV (Hz)	H/V
1	Video 60 Hz		15.734	59.940	N/N
2	Video 50 Hz		15.625	50.000	N/N
3	15 K RGB/Component 60 Hz		15.734	59.940	S on G
4	15 K RGB/Component 50 Hz		15.625	50.000	S on G
5	HDTV 1035 & 11080/60I				
		1035/60I, 1080/60I	33.750	60.000	S on G
6	640 x 350	VGA-1	31.469	70.086	P/N
7		VGA VESA 85	37.861	85.080	P/N
8	640 x 400	NEC PC98	24.823	56.416	N/N
9		VGA-2/VESA 70	31.469	70.086	N/P
10		VGA VESA 85	37.861	85.080	N/P
11	640 x 480	VGA VESA 60	31.469	59.940	N/N
12		Mac 13"	35.000	66.667	S on G
13		VGA VESA 72	37.861	72.809	N/N
14		VGA VESA 75	37.500	75.000	N/N
15		VGA VESA 85	43.269	85.008	N/N
16	800 x 600	SVGA VESA 56	35.156	56.250	P/P
17		SVGA VESA 60	37.879	60.317	P/P
18		SVGA VESA 72	48.077	72.188	P/P
19		SVGA VESA 75	46.875	75.000	P/P
20		SVGA VESA 85	53.674	85.061	P/P
21	832 x 624	Mac 16"	49.724	74.550	N/N
22	1024 x 768	XGA VESA 43	35.524	43.479	P/P
23		XGA VESA 60	48.363	60.004	N/N
24		XGA VESA 70	56.476	70.069	N/N
25		XGA VESA 75	60.023	75.029	P/P
26		XGA VESA 85	68.677	84.997	P/P
27	1152 x 864	SXGA VESA 70	63.995	70.016	P/P
28		SXGA VESA 75	67.500	75.000	P/P
29		SXGA VESA 85	77.487	85.057	P/P
30	1152 x 900	SUN LO	61.795	65.960	N/N
31		SUN HI	71.713	76.047	C Neg
32	1280 x 960	SXGA VESA 60	60.000	60.000	P/P
33		SXGA VESA 75	75.000	75.000	P/P
34	1280 x 1024	SXGA VESA 43	46.433	43.436	P/P
35		SXI-5	53.516	50.062	S on G
36		SXGA VESA 60	63.974	60.013	P/P
37		SXGA VESA 75	79.976	75.025	P/P
38		SXGA VESA 85	91.146	85.024	P/P
43	P.Component 480/60P	480/60P (2x NTSC)	31.470	60.000	S on G
44	575/50P	575/50P (2x PAL)	31.250	50.000	S on G
45	1080/50I	1080/50I	28.130	50.000	
47	720/60P	720/60P	45.000	60.000	
48	720/50P	720/50P	37.500	50.000	

# Specifications

MODEL	VPL-PX31	VPL-PX21	
<b>OPTICAL</b>	Projection system	3 LCD panels, 1 lens projection system	
	LCD panel	1.3-inch p-Si TFT Sony LCD panel 2,359,296 pixels (786,432 pixels x 3) with Micro Lens Array without Micro Lens Array	
	Projection lens	Approx. 1.3 times zoom lens, F1.7 to 2.0, f36.7 to 47.8 mm	
	Lamp	200 W UHP Lamp	
	Screen coverage	40 to 300 inches (viewable area, measured diagonally)	
<b>SIGNALS</b>	Light output	2800 ANSI lumens *1	1800 ANSI lumens
	Colour system	NTSC, PAL, SECAM, NTSC4.43, PAL-M, PAL-N (automatically/manually selected)	
	Resolution	Video: 750 TV lines, RGB: 1024 x 768 pixels	
<b>GENERAL</b>	Acceptable signals	RGB (fH 15 to 91 kHz, fV: 43 to 85 Hz), 15 kHz component 50/60 Hz system, Progressive component 60 Hz system, DTV (480/60P, 575/50P, 1080/50I, 720/60P, 720/50P), Composite video, Y/C video	
	Cabinet colour	Silky Silver	
	Speaker	Max. 5 W Wide frequency range 3 speakers Woofer: 65 mm (2 5/8 inches) diameter, Max. 3 W Tweeter: 45 mm (1 3/16 inches) diameter, Max. 1 W x 2 (Stereo)	
	Power requirements	100 to 240 V, 50/60 Hz	
	Power consumption	Max. 290 W, Standby 5 W, Power saving mode 50 W	
	Operating temperature	0 to 40 °C (32 to 104 °F)	
	Operating humidity	35 to 85 %	
	Dimensions	339 (W) x 142 (H) x 335 (D) mm (13 3/8 x 5 5/8 x 13 1/4 inches)	
	Mass	Approx. 7.2 kg (15 lb 14 oz)	
	Heat dissipation	989.6 BTU	
Fan noise	Less than 34 dB (when lamp mode set to LOW: 30 dB)		
<b>INPUTS/OUTPUTS</b>	VIDEO IN	Composite	Phono type, 1.0 Vp-p ±2 dB sync negative, 75 Ω
		Y/C IN	Mini DIN 4-pin
		Y	1.0 Vp-p ±2 dB sync negative, 75 Ω
	INPUT A	C	Burst 0.286 Vp-p ±2 dB (NTSC), 75 Ω or 0.3 Vp-p ±2 dB (PAL), 75 Ω
		HD D-sub 15 pin (female)/5 BNC (female)/Digital Interface Switched	HD D-sub 15-pin (female)
		Analogue RGB	HD D-sub 15-pin (female)
		R	0.7 Vp-p ±2 dB positive, 75 Ω
		G	0.7 Vp-p ±2 dB positive, 75 Ω
		G with Sync	1.0 Vp-p ±2 dB sync negative, 75 Ω
		B	0.7 Vp-p ±2 dB positive, 75 Ω
		SYNC/HD	
		Composite sync	1.0 to 5.0 Vp-p, high impedance positive/negative
Horizontal sync		1.0 to 5.0 Vp-p, high impedance positive/negative	
VD			
Vertical sync		1.0 to 5.0 Vp-p, high impedance positive/negative	
INPUT B	Analogue RGB	5 BNC (female)	
	R/R-Y/PR	0.7 Vp-p ±2 dB positive, 75 Ω	
	G	0.7 Vp-p ±2 dB positive, 75 Ω	
	G with Sync/Y	1.0 Vp-p ±2 dB sync negative, 75 Ω	
	B/B-Y/PB	0.7 Vp-p ±2 dB positive, 75 Ω	
	SYNC/HD		
	Composite sync	1.0 to 5.0 Vp-p, high impedance positive/negative	
	Horizontal sync	1.0 to 5.0 Vp-p, high impedance positive/negative	
	VD		
	Vertical sync	1.0 to 5.0 Vp-p, high impedance positive/negative	
	Digital RGB	DFP 20-pin (TMDS)	
	USB HUB	Up (B type: female) x 1, Down (A type: female) x 1	
MOUSE IN	Square 13-pin (female)		
AUDIO IN	Stereo mini jack, 500 mV rms, impedance more than 47 kΩ		
OUTPUT	Analogue RGB	HD D-sub 15-pin (female)	
	R	0.7 Vp-p ±2 dB positive, 75 Ω	
	G	0.7 Vp-p ±2 dB positive, 75 Ω	
	G with Sync	1.0 Vp-p ±2 dB sync negative, 75 Ω	
	B	0.7 Vp-p ±2 dB positive, 75 Ω	
	SYNC/HD		
	Composite sync	1.0 to 5.0 Vp-p, high impedance positive/negative	
	Horizontal sync	1.0 to 5.0 Vp-p, high impedance positive/negative	
	VD		
	Vertical sync	1.0 to 5.0 Vp-p, high impedance positive/negative	
	MOUSE IN	Square 13-pin (female)	
	AUDIO IN	Stereo mini jack, 500 mV rms, impedance more than 47 kΩ	
MONITOR OUT *2	HD D-sub 15-pin (female) R/R-Y, G/Y, B/B-Y: Gain Unity, 75 Ω SYNC/HD, VD: 4.0 Vp-p (open), 1.0 Vp-p (75 Ω)		
AUDIO OUT (Variable out)	Stereo mini jack, max. 1 V rms, when the input signal is 500 mV rms, impedance less than 5 kΩ		
REMOTE CONTROL S/IN	D-sub 9-pin (female)		
PLUG IN POWER	Stereo mini jack 5.0 Vp-p, plug in power, DC 5 V		
<b>SAFETY REGULATIONS</b>	UL1950, cUL1950, DHHS (Laser), FCC Class A, IC Class A, EN 60 950 (Nemko), CE, EN 60 825-1 (Laser), C-Tick, CCIB, VCCI class B, JEIDA		
<b>LASER BEAM*</b>	Laser type	Class II	
	Wavelength	645 nm	
	Outputw	1 mW	
<b>SUPPLIED ACCESSORIES</b>	Remote Commander RM-PJM610, Monitor Cable (2 m): HD D-sub 15-pin to HD D-sub 15-pin, Mouse Cable (2 m): SIC-S21 (for Serial), SIC-S22 (for PS/2), Audio Visual Cable (1.5 m), USB Cable A type to B type (2 m), USB Application Software PROJECTOR STATION version 2.0, AA size Battery (x 2), Lens Cap, Strap for Remote Commander, Air Filter, Operating Manual, Quick Reference Sheet, Installation Manual for dealer		

# Optional Accessories

**Projector Lamp**  
LMP-P201  
(for replacement)

**Carrying Case**  
VLC-600 \*3

**Suspension Support**  
PSS-610

**Signal Cables**  
SMF-400

(HD D-sub 15-pin to 5 BNC, for RGB signal)

**SMF-402**

(HD D-sub 15-pin to phono x 3, for component signal)

**SMF-410**

(HD D-sub 15-pin to HD D-sub 15-pin, for RGB signal)

**Digital Signal Cables**

**SMF-D102**

**SMF-D110**

**Mouse Cables**

SIC-S20 (for Mac®)

SIC-S21 (for Serial)

SIC-S22 (for PS/2)



LMP-P201

**Macintosh® Adaptor**  
ADP-20  
(Macintosh to VGA)

**Optional Lenses**  
VPLL-FM21

(Fixed short focus lens)

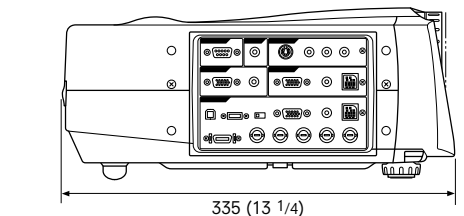
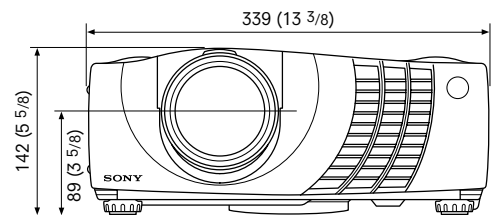
**VPLL-ZM31**

(Short focus zoom lens)

**VPLL-ZM101**

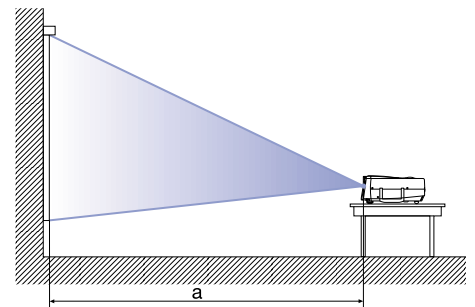
(Long focus zoom lens)

# Dimensions



Unit: mm (inches)

# Throwing Distance



Screen size	40-inch	60-inch	80-inch	100-inch	120-inch	150-inch	200-inch	300-inch
a (mm)	1490	2280	3060	3850	4630	5810	7770	11700
a (inches)	58 3/4	89 7/8	120 1/2	151 5/8	182 3/8	228 3/4	306	460 3/4