

# MX73I Digital Projector

## MX73I Features

- Feature High Light
- 4000 ANSI Lumen High Brightness
- 20000:1 High Contrast Ratio
- Up to 15000 hrs long lamp life
- USB Reader Compatible
- Networking Connectively

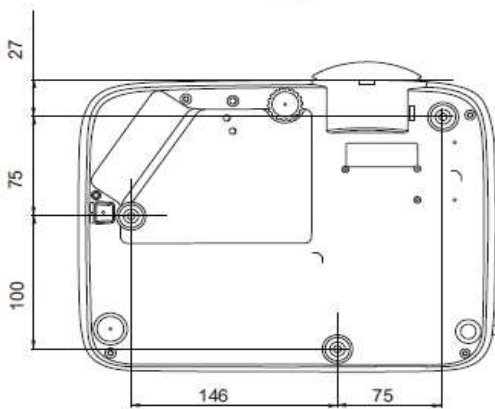


## Features

1. HDMI-1
2. HDMI-2/MHL
3. PC (D-sub 15pin)
4. Monitor out (D-sub 15pin, Female)
5. Audio in (mini jack)
6. Audio out (mini jack)
7. LAN Port (RJ45 for Network)
8. RS232 In (D-sub 9pin, male)
9. USB TypeA (for USB reader)
10. USB TypeA (for Wireless Dongle)
11. USB (Type mini B)
12. IR Receiver (Front+Top)

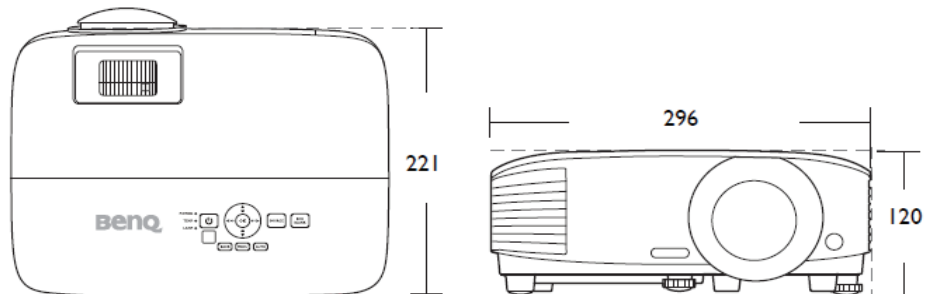


## Ceiling Mount Chart



Ceiling mount screw: M4 x 8  
(Max L = 25 mm; L = 20 mm)

## Dimensions



296 mm (W) x 120 mm (H) x 221 mm (D)

SPECIFICATIONS		MX731
<b>DISPLAY</b>	Projection System	DLP Single 0.55" XGA
	DMD type	DC3 DMD chip
	Native Resolution	1024 x 768 pixels, 4:3
	Brightness	4,000 Lumens
	Contrast Ratio*	20,000:1
	Display Color	1.07 Billion Colors
	Aspect Ratio	Native 4:3 (5 aspect ratio selectable)
	Light Source	Lamp (240W)
	Light Source life*	4000/8000/8000/15000hrs (Normal/Eco/SmartEco/Lampsave Mode)
<b>OPTICAL</b>	Throw Ratio	1.51~1.97
	Zoom Ratio	1.3X
	Lens Control	Manual Zoom and Focus
	Lens shift	N/A
	Keystone Correction	2D keystone, Vertical $\pm 30$ & Horizontal $\pm 20$ degrees, Auto Vertical keystone
	Projection Offset	107.5% $\pm$ 2.5% (Full-Height)
	Projection Size	30"~300"
<b>AUDIO</b>	Built-in Speaker	10W x1
<b>SPECIAL FEATURE</b>	Security	Kensington Lock, Security Bar
	Feature	2D Keystone, Auto Vertical keystone, Corner Fit, USB Reader, LAN Control, AMX/ PJ Link/Crestron/Extron IPL Compatible. MDA Compatibility LAN Display, Optional Wireless Display, Split Screen, Support Meeting/Classroom collaboration via QCast Software. (Conference Control)
<b>COMPATIBILITY</b>	Resolution Support	VGA(640 x 480) to WUXGA_RB(1920 x 1200)
	Horizontal Frequency	15~102KHz
	Vertical Scan Rate	23 ~ 120 Hz
	HDTV Compatibility	480i, 480p, 576i, 567p, 720p, 1080i, 1080p
	Video Compatibility	NTSC, PAL, SECAM*
<b>POWER</b>	Power Consumption(Max/Normal/Eco)	Max 355W. Normal 320W. Eco 240W.
	Standby Power Consumption	Normal < 0.5Watts. Network < 2W.
	Power Supply	100 ~ 240V AC
<b>DIMENSION AND WEIGHT</b>	Product Dimensions (WxHxD)	296x 120 x 221 mm
	Product Weight	2.5kg
<b>OPERATION CONDITION</b>	Noise Level(Normal/Eco)	33/29 dBA
	Operating Temperature	0 ~ 40oC
<b>OSD</b>	On-Screen Display Languages	Arabic/Bulgarian/ Croatian/ Czech/ Danish/ Dutch/ English/ Finnish/ French/ German/ Greek/ Hindi/ Hungarian/ Italian/ Indonesian/Japanese/ Korean/ Norwegian/ Polish/ Portuguese/ Romanian/ Russian/ Simplified Chinese/ Spanish/ Swedish/ Turkish/Thai/TraditionalChinese/Vietnamese /Farsi (30 Languages)
<b>ACCESSORIES</b>	<b>Standard</b>	<b>Optional</b>
	Power Cord (by region) Remote Control (RCE013) AAA Batteryx2 VGA cable Warranty Card (by region) QSG (4J.JGR01.001) User Manual CD (5B.JGR01.001) Lens Cover	Spare Lamp Kit ( P/N:5J.JGS05.001) 3D Glasses (5J.J9H25.002) Wireless Dongle: WDRT8192 USB Dongle( 5J.J3F28.X01) Wireless Dongle: QCast Mirror (5A.JH328.10X) Wireless Dongle: QCast (5J.JCK28.X01) Ceiling mount

\*The Contrast is measure by Full On Full Off standard.

\* LightSource life results will vary depending on environmental conditions and usage. Actual product's features and specifications are subject to change without notice.

\* Storage: Temperature: -20~60°C; Humidity: 10~90%RH (without condensation)



# ProSelecta

View :: Compare :: Select - [www.ProSelecta.com](http://www.ProSelecta.com)