

MW732 Digital Projector

MW732 Features

- 2Feature High Light
- 4000 ANSI Lumen High Brightness
- 20000:1 High Contrast Ratio
- Up to 15000 hrs long lamp life
- USB Reader Compatible
- Networking Connectively

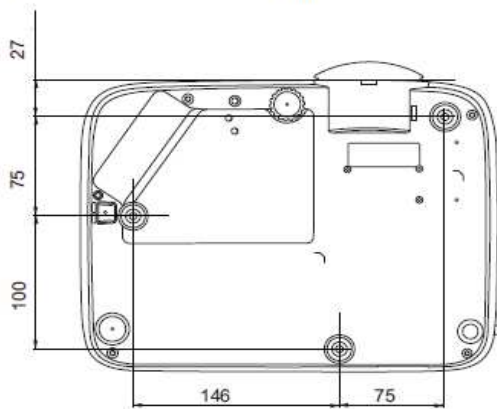


Features

1. HDMI-1
2. HDMI-2/MHL
3. PC (D-sub 15pin)
4. Monitor out (D-sub 15pin, Female)
5. Audio in (mini jack)
6. Audio out (mini jack)
7. LAN Port (RJ45 for Network)
8. RS232 In (D-sub 9pin, male)
9. USB TypeA (for USB reader)
10. USB TypeA (for Wireless Dongle)
11. USB (Type mini B)
12. IR Receiver (Front+Top)

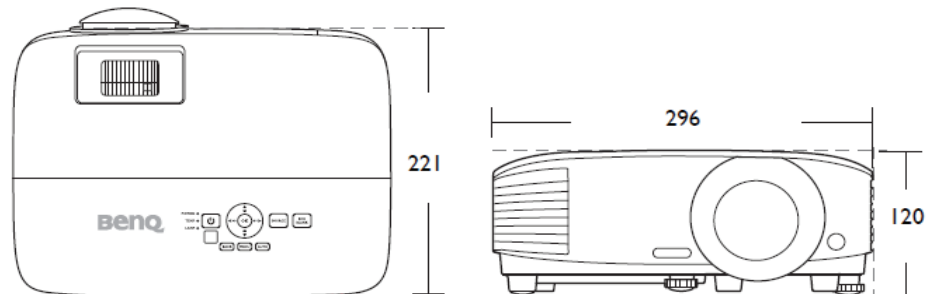


Ceiling Mount Chart



Ceiling mount screw: M4 x 8
(Max L = 25 mm; L = 20 mm)

Dimensions



296 mm (W) x 120 mm (H) x 221 mm (D)

SPECIFICATIONS		MW732
DISPLAY	Projection System	DLP Single 0.65" WXGA
	DMD type	DC3 DMD chip
	Native Resolution	1280 x 800 pixels, 16:10
	Brightness	4,000 Lumens
	Contrast Ratio*	20,000:1
	Display Color	1.07 Billion Colors
	Aspect Ratio	Native 16:10 (5 aspect ratio selectable) †
	Light Source	Lamp (240W)
	Light Source life*	4000/8000/8000/15000hrs (Normal/Eco/SmartEco/Lampsave Mode)†
OPTICAL	Throw Ratio	1.21~1.57
	Zoom Ratio	1.3X
	Lens Control	Manual Zoom and Focus
	Lens shift	N/A
	Keystone Correction	2D keystone, Vertical ± 30 & Horizontal ± 20 degrees, Auto Vertical keystone
	Projection Offset	110%±2.5% (Full-Height)
	Projection Size	30"~300" †
AUDIO	Built-in Speaker	10W x1
SPECIAL FEATURE	Security	Kensington Lock, Security Bar
	Feature	2D Keystone, Auto Vertical keystone, Corner Fit, USB Reader, LAN Control, AMX/ PJ Link/Crestron/Extron IPL Compatible. MDA Compatibility LAN Display, Optional Wireless Display, Split Screen, Support Meeting/Classroom collaboration via QCast Software. (Conference Control)
COMPATIBILITY	Resolution Support	VGA(640 x 480) to WUXGA_RB(1920 x 1200)
	Horizontal Frequency	15~102KHz
	Vertical Scan Rate	23 ~ 120 Hz
	HDTV Compatibility	480i, 480p, 576i, 567p, 720p, 1080i, 1080p
	Video Compatibility	NTSC, PAL, SECAM*
POWER	Power Consumption(Max/Normal/Eco)	Max 355W. Normal 320W. Eco 240W.
	Standby Power Consumption	Normal < 0.5Watts. Network < 2W.
	Power Supply	100 ~ 240V AC
DIMENSION AND WEIGHT	Product Dimensions (WxHxD)	296x 120 x 221 mm
	Product Weight	2.5kg
OPERATION CONDITION	Noise Level(Normal/Eco)	33/29 dBA
	Operating Temperature	0 ~ 40oC
OSD	On-Screen Display Languages	Arabic/Bulgarian/ Croatian/ Czech/ Danish/ Dutch/ English/ Finnish/ French/ German/ Greek/ Hindi/ Hungarian/ Italian/ Indonesian/Japanese/ Korean/ Norwegian/ Polish/ Portuguese/ Romanian/ Russian/ Simplified Chinese/ Spanish/ Swedish/ Turkish/Thai/TraditionalChinese/Vietnamese /Farsi (30 Languages)
ACCESSORIES	Standard	Optional
	Power Cord (by region)	Spare Lamp Kit (P/N:5J.JGS05.001)
	Remote Control (RCE013)	3D Glasses (5J.J9H25.002)
	AAA Batteryx2	Wireless Dongle: WDRT8192 USB Dongle(5J.J3F28.X01)
	VGA cable	Wireless Dongle: QCast Mirror (5A.JH328.10X)
	Warranty Card (by region)	Wireless Dongle: QCast (5J.JCK28.X01)
	QSG (4J.JGR01.001)	Ceiling mount
	User Manual CD (5B.JGR01.001)	
Lens Cover		

*The Contrast is measure by Full On Full Off standard.

* LightSource life results will vary depending on environmental conditions and usage. Actual product's features and specifications are subject to change without notice.

* Storage: Temperature: -20~60°C; Humidity: 10~90%RH (without condensation)



ProSelecta

View :: Compare :: Select - www.ProSelecta.com