

# JVC

# DLA-RS2100

8K Home Theater Projector

**8K**  
e-shift

## PERFORMANCE. VALUE. LASER.

World's First 8K Input Home Theater Projectors.



The DLA-RS2100 delivers BLU-Escent laser technology and 8K e-shift at a truly breakthrough price point. 2,200 lumen brightness offers impressive HDR even with larger screen sizes. A 65 mm diameter all glass lens provides a wide zoom and shift range for installation flexibility. Add D-ILA imaging chips, HDR10+ and Frame Adapt HDR for an impressive home theater experience.

### KEY FEATURES

- 2,200 Lumen BLU-Escent Laser Phosphor Light Engine
- 8K e-shift delivers image quality beyond 4K
- 65 mm all-glass lens with 2X Zoom and 80% vertical/ 34% horizontal shift
- Two 48Gbps HDMI / HDCP 2.3 inputs (8K/60P & 4K/120P)
- 40,000:1 Native Contrast, Infinite Dynamic Contrast
- Frame Adapt HDR Dynamic Tone Mapping w/ Theater Optimizer
- HDR10+
- 0.69 inch Native 4K D-ILA Devices (x3)
- Installation Mode with 10 memories, Anamorphic Scaling
- ISF (Imaging Science Foundation) Licensed plus JVC Auto Calibration
- Clear Motion Drive w/Motion Enhance
- Multiple Pixel Control (MPC) — MPC works with 8K60P (4:4:4) signals
- Low Latency Mode improves picture, speeds operation, and reduces gaming/PC frame delays
- Control: Control4 SDDP / LAN / RS-232C / IR / 12V Screen Trigger Output / 3D Sync Output
- 3 Year Warranty with First Year Advanced Replacement

REFERENCE SERIES

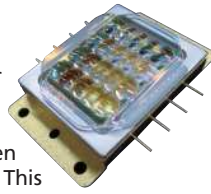
D-ILA

isf

HDR10+

## 2,200 Lumen BLU-Escent Laser

JVC's new 3rd generation "BLU-Escent" Laser Phosphor light engine uses blue laser diodes, an inorganic yellow phosphor and JVC's proprietary color management system. "BLU-Escent" enables 2,200 lumen light output and 20,000 hour long life illumination. This new design is more compact, with higher output, greater efficiency and quieter operation, making it the best solution for demanding home theater installations. Increased brightness ensures compatibility with larger screen sizes, and improved HDR performance. This brings greater depth, added dimensionality, and infinite dynamic contrast to home theater screens.

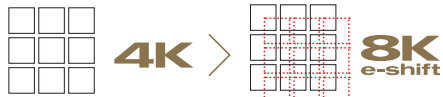


## Dual 48Gbps HDMI w/ HDCP 2.3 Inputs

JVC is proud to introduce the world's first home theater projectors with 8K/60P inputs. This latest connectivity standard offers dual 48Gbps HDMI inputs with HDCP 2.3. In addition, 4K/120P input is supported for the newest generation video content, including the latest gaming platforms.

## 8K e-shift Technology

8K content (native or scaled) is split into an "A" frame and a "B" frame. The "B" frame is shifted diagonally 0.5 pixel. Then, those frames are displayed sequentially at double the normal speed. The two frames overlap, and the viewer is able to see resolution that exceeds 17 million addressable pixels.



See how the native 4K image becomes sharper with 8K e-shift processing.

## An All Glass Lens offers premium picture with installation flexibility

The DLA-RS2100 is equipped with a 65mm diameter, high resolution, 17 element, 15 group all glass lens to deliver 8K resolution on the screen. For excellent installation flexibility, a wide shift range of +/-80% vertical, +/-34% horizontal is offered.



High-quality 65 mm diameter, 17-element, 15-group all glass lens

## Frame Adapt HDR w/Theater Optimizer

The DLA-RS2100 is compatible with HDR10 content such as UHD Blu-ray and streaming. Color grading of HDR content can vary dramatically. Frame Adapt HDR dynamically tone maps all HDR10 content for optimized brightness, color and detail on a frame by frame or scene by scene basis. With Theater Optimizer, JVC has created the world's first projector that automatically fine tunes HDR based on installation characteristics, and projector settings.



JVC projectors featuring Frame Adapt HDR and Theater Optimizer can express HDR content at optimum brightness and darkness in each frame as the creator intended.



JVC is proud to add HDR10+ support, which offers dynamic tone mapping for 4K HDR Blu-ray & streaming content that is true to the director's intent.

## Optional Equipment



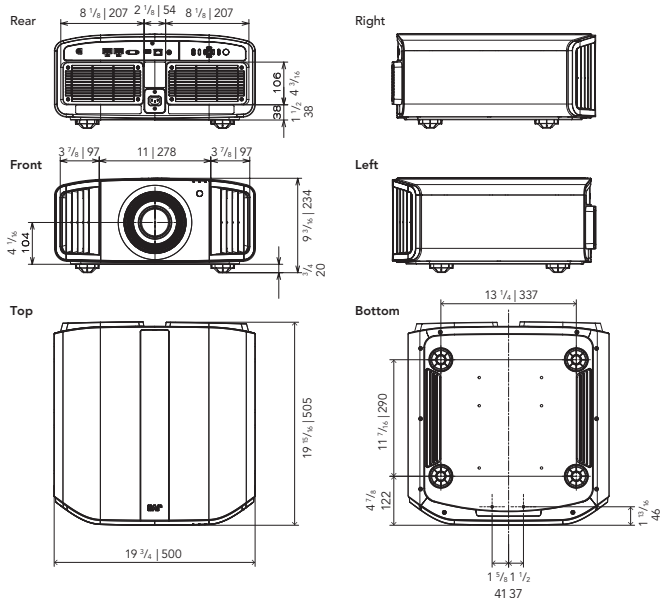
**PK-AG3**  
RF 3D Glasses  
Battery-operated



**PK-EM2**  
RF 3D Synchro  
Emitter

## External Dimensions (unit: inches/mm)

### DLA-RS2100



- Design and specifications are subject to change without notice.
- All pictures on this brochure are simulated.
- HDMI, the HDMI logo and High-Definition Multimedia Interface are registered trademarks of HDMI Licensing LLC.
- All other brand or product names may be trademarks and/or registered trademarks of their respective owners.
- Any rights not expressly granted herein are reserved.

Copyright © 2021, JVCKENWOOD Corporation. All Rights Reserved.

## Specifications

DLA-RS2100	
Device	0.69 in D-ILA Device (4096 x 2160) x3
e-shift	8K e-shift (2-direction shift)
Display Resolution	8K e-shift (4096 x 2160 Native)
Lens	2x Motorized Zoom & Focus, All-glass Lens   65 mm diameter
Lens Shift	Vertical/Horizontal (motorized, in 16:9 aspect ratio) ±80% / ±34%
Projection Display Size	60 inch - 200 inch diagonal
Light Source	BLU-Escent Laser Diode
Brightness	2,200 lm
Contrast Ratio	Native: 40,000:1   Dynamic: ∞:1
Input Terminals	HDMI: 2 (48Gbps, HDCP2.3, no support for CEC) Trigger: 1 (Mini Jack, DC12V/100mA)
Output Terminals	3D Synchro: 1 (Mini-Din 3pin) RS-232C: 1 (Dsub 9pin)
Control Terminals	LAN: 1 (RJ-45)
Service Terminals	SERVICE: 1 (USB Type A, for firmware update)
Power Consumption	Projector in use: 420 W Standby: Eco-mode: 0.3 W Networked standby: 1.5 W (LAN)
Fan Noise	24 dB (In Low Mode)
Power Requirement	AC100-240 V, 50/60 Hz
Dimensions	(WxHxD-inches) 19 3/4 x 9 3/16 x 19 15/16
Weight (net)	(lbs) 49.6