

# p r e l i m i n a r y

professional projector series

## F10 wuxga

native 1920x1200 resolution  
DLP® BrilliantColor™ technology  
up to 3100 ANSI lumens  
full 24/7 operation guarantee



### projectiondesign F10 wuxga

The new F10 wuxga is the first of its kind as the range topper in the F10 series of professional projectors. It introduces the brand new WUXGA (1920 x 1200) resolution DLP® technology. The unique combination of high resolution in an incredibly small chassis, paired with outstanding brightness and contrast, brings a new level of compatibility, image quality, and flexibility to the AV industry. It is the first projector of its kind to offer this combination of features.

Designed for high resolution visualisation, simulation, and other graphically challenging applications, it also fits in the board room as the ultimate meeting room projector. To ensure optimal image quality, it features full 10-bit digital and analogue interfacing and image processing, and Texas Instruments® BrilliantColor™ technology for outstanding colour reproduction and fidelity. Imagine all that in a small 3.5 kg magnesium chassis.



### DLP technology

The F10 wuxga uses DLP technology to display the best possible image quality, and as importantly – to provide unmatched reliability. DLP is recognized for its withstanding deterioration over time – unlike some competing technologies – and provides consistent images year after year, with the same great colours, and high brightness and contrast.

### High resolution

With its native 1920 x 1200 pixel resolution, the F10 wuxga is designed primarily for computer and graphics applications, and fits the native format of many graphics cards. Higher resolution gives higher image fidelity, and there is no need to set up for resolutions you are not normally using, just to make it fit.

### High brightness and contrast

In its brightest configuration, the F10 wuxga outputs up to 3100 ANSI lumens. Match that with a high 4000 : 1 contrast ratio, and you get stunning image quality for all but the largest screens. With a wide range of colour wheel options, brightness and colour display performance can be configured to provide the best possible combination for a wide range of applications.

### RealColor and BrilliantColor™

Our proprietary RealColor colour management technology simplifies set up and calibration, and ensures near perfectly rendered images with any given input source. Combining it with Texas Instruments® BrilliantColor™ technology, image accuracy and fidelity, and possible calibration options are endless.

### High performance optics

As with all our professional projectors, the F10 wuxga features all-glass optics. A 1:1 wide angle, and a 1.6 - 2.0 zoom lens both feature 115% off set for inverted and off-center installations. Aspherical elements and LD glass with very high resolution ensure the sharpest, highest contrast images available.

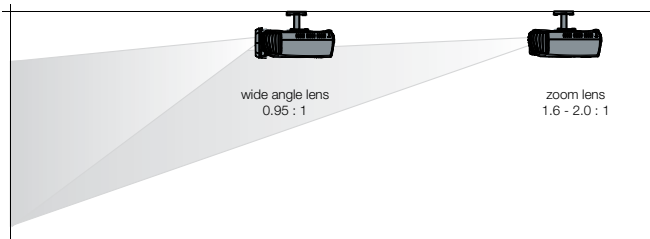
### projectiondesign ProNet asset management

Optional asset management software allows easy management in large site installations, or even multi-site installations, supporting hundreds of projectors from a single interface, to manage large distributed projector deployments.

### 10-bit colour resolution and HDMI 1.3 input

The F10 wuxga features full 10-bit colour resolution, powerful dnx® video processing by Pixelworks™, and HDMI 1.3a digital interfacing, in addition to the established DVI, VGA and analogue video inputs.

### Lens options



### Available versions

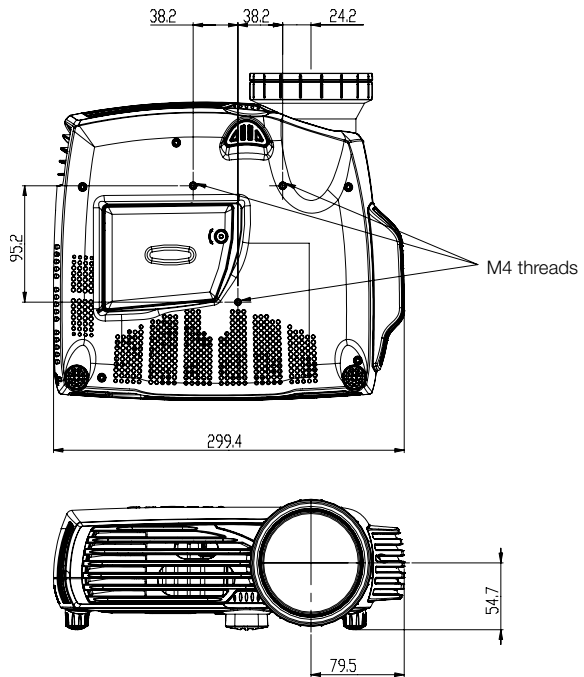
Colour Wheel	Projection lens	wide angle	zoom
RGBCMY (VizSim)		101-1021-xx	101-1020-xx
RGBCYW (Graphics)		101-1025-xx	101-1024-xx
RGBCYW (High Brightness)		tba.	tba.

Available colours: -08 Black Metallic (standard), -05 Pearl White (option)

### Technical specifications

Technical specifications		F10 wuxga
projector		WUXGA DLP digital projector
display	technology	0.98" 1920 x 1200 pixel DMD™ (Digital Micromirror Device™)
	colour wheel options	VizSim, Graphics, High Brightness
	resolution	1920 x 1200 pixels
	brightness	up to 3100 ansi lumens
	contrast ratio	up to 4000 : 1
optics and lamp	colours	30-bit (10 bits per colour)
	available lenses	0.95 : 1 wide angle 1.6 - 2.0 : 1 standard zoom
	focusing distance	1 - 15m
	optical lens shift	fixed: 115% offset
	lamp	300W UHP™, adjustable
connectivity	lamp life	2000 hrs full power mode, 2500 hrs eco mode
	digital	HDMI 1.3a and DVI (both HDCP)
	analogue	2x VGA, DVI, component, s-video, video
general	asset management	projectiondesign ProNet – client/server based asset management
	control	RS-232, TCP/IP, IR, 2x 12V triggers
	dimensions (dwh)	268 x 300 x 104 mm (including lens)
general	weight	about 3.5 kg (depending on lens)
	supplied accessories	IR remote control, basic cable kit
	power requirements	90 – 240 VAC, 50/60 Hz, +/- 10%, <415W
	heat dissipation	<1420 BTU / hr
	conformances	CE, CSA "C/US", FCC Class A, CCC
	available colour	black metallic, pearl white
	warranties	2 years parts and labour 500 hours or 90 days on lamp (conditions apply) 3rd year optional warranty including full 24/7 operation (conditions apply)

### Standardised bolt-on ceiling mount interface



Distributed by:

