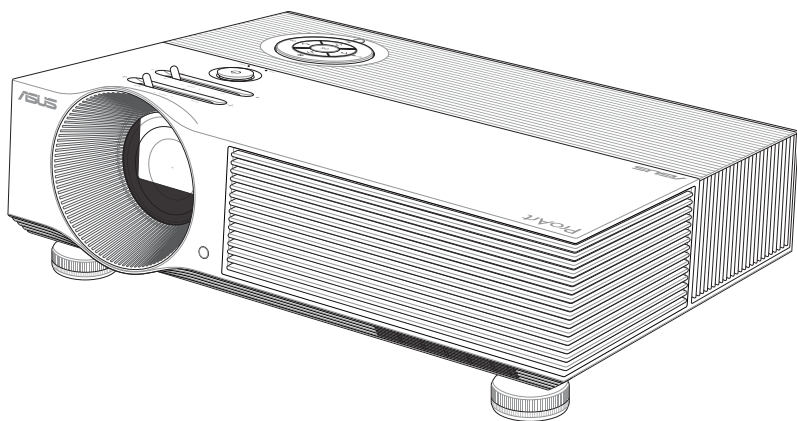




# LED projector

*E-Manual*

## ProArt Projector A1



**HDMI™**  
HIGH-DEFINITION MULTIMEDIA INTERFACE

**ProSelecta**

View :: Compare :: Select - [www.ProSelecta.com](http://www.ProSelecta.com)

# E18284

## First Edition

### August 2021

#### **COPYRIGHT AND WARRANTY INFORMATION**

No part of this manual, including the products and software described in it, may be reproduced, transmitted, transcribed, stored in a retrieval system, or translated into any language in any form or by any means, except documentation kept by the purchaser for backup purposes, without the express written permission of ASUSTeK COMPUTER INC. ("ASUS").

Product warranty or service will not be extended if: (1) the product is repaired, modified or altered, unless such repair, modification of alteration is authorized in writing by ASUS; or (2) the serial number of the is defaced or missing.

ASUS PROVIDES THIS MANUAL "AS IS" WITHOUT WARRANTY OF ANY KIND, EITHER EXPRESS OR IMPLIED, INCLUDING BUT NOT LIMITED TO THE IMPLIED WARRANTIES OR CONDITIONS OF MERCHANTABILITY OR FITNESS FOR A PARTICULAR PURPOSE. IN NO EVENT SHALL ASUS, ITS DIRECTORS, OFFICERS, EMPLOYEES OR AGENTS BE LIABLE FOR ANY INDIRECT, SPECIAL, INCIDENTAL, OR CONSEQUENTIAL DAMAGES (INCLUDING DAMAGES FOR LOSS OF PROFITS, LOSS OF BUSINESS, LOSS OF USE OR DATA, INTERRUPTION OF BUSINESS AND THE LIKE), EVEN IF ASUS HAS BEEN ADVISED OF THE POSSIBILITY OF SUCH DAMAGES ARISING FROM ANY DEFECT OR ERROR IN THIS MANUAL OR PRODUCT.

Products and corporate names appearing in this manual may or may not be registered trademarks or copyrights of their respective companies, and are used only for identification or explanation and to the owners' benefit, without intent to infringe.

SPECIFICATIONS AND INFORMATION CONTAINED IN THIS MANUAL ARE FURNISHED FOR INFORMATIONAL USE ONLY, AND ARE SUBJECT TO CHANGE AT ANY TIME WITHOUT NOTICE, AND SHOULD NOT BE CONSTRUED AS A COMMITMENT BY ASUS. ASUS ASSUMES NO RESPONSIBILITY OR LIABILITY FOR ANY ERRORS OR INACCURACIES THAT MAY APPEAR IN THIS MANUAL, INCLUDING THE PRODUCTS AND SOFTWARE DESCRIBED IN IT.

Copyright © 2021 ASUSTeK COMPUTER INC. All Rights Reserved.

#### **LIMITATION OF LIABILITY**

Circumstances may arise where because of a default on ASUS' part or other liability, you are entitled to recover damages from ASUS. In each such instance, regardless of the basis on which you are entitled to claim damages from ASUS, ASUS is liable for no more than damages for bodily injury (including death) and damage to real property and tangible personal property; or any other actual and direct damages resulted from omission or failure of performing legal duties under this Warranty Statement, up to the listed contract price of each product.

ASUS will only be responsible for or indemnify you for loss, damages or claims based in contract, tort or infringement under this Warranty Statement.

This limit also applies to ASUS' suppliers and its reseller. It is the maximum for which ASUS, its suppliers, and your reseller are collectively responsible.

UNDER NO CIRCUMSTANCES IS ASUS LIABLE FOR ANY OF THE FOLLOWING: (1) THIRD-PARTY CLAIMS AGAINST YOU FOR DAMAGES; (2) LOSS OF, OR DAMAGE TO, YOUR RECORDS OR DATA; OR (3) SPECIAL, INCIDENTAL, OR INDIRECT DAMAGES OR FOR ANY ECONOMIC CONSEQUENTIAL DAMAGES (INCLUDING LOST PROFITS OR SAVINGS), EVEN IF ASUS, ITS SUPPLIERS OR YOUR RESELLER IS INFORMED OF THEIR POSSIBILITY.

#### **SERVICE AND SUPPORT**

Visit our multi-language web site at <https://www.asus.com/support>

# Table of Contents

About this manual .....	5
Conventions used in this manual .....	6
Typography .....	6
Multi-language versions .....	6
Safety precautions .....	7
Using your LED projector .....	7
Servicing and replacement of parts .....	7
Caring for your LED projector .....	8
Proper disposal .....	8

## Chapter 1: Knowing your LED projector

Features .....	10
Top View .....	10
Front View .....	13
Rear View .....	15
Left View .....	17
Right View .....	18
Bottom View .....	19
Positioning your LED projector .....	20
Choosing a location .....	20
Projecting files from a mounted position .....	21
Ceiling mount hole details .....	22
LED projector remote control .....	23
Remote control effective range .....	25

## Chapter 2: Setting up

Operating your LED projector .....	28
Connect the LED projector to your device .....	30
Adjust the height of the LED projector .....	33
Press the power button .....	35
Adjust the image focus and size .....	36

## **Chapter 3: Using the onscreen display menu**

Using your LED projector for the first time .....	38
Adjusting your LED projector's settings .....	39
Using the Wi-Fi dongle .....	40
For Android devices .....	41
For iOS devices .....	42
Onscreen display menu options .....	44
Turning off your LED projector .....	52
Using 3D glasses .....	53
Multi-language versions .....	54

## **Appendices**

Federal Communications Commission Statement .....	56
Global Environmental Regulation Compliance and Declaration .....	58
ASUS Recycling/Takeback Services .....	58
Canadian Department of Communications Statement .....	58
Specifications for A1 series LED projector .....	59
Supported PC Timings .....	62

# About this manual

This manual provides information about the hardware and software features of your LED projector through the following chapters:

## **Chapter 1: Knowing your LED Projector**

This chapter details the parts of your LED projector and its accompanying remote control.

## **Chapter 2: Setting up**

This chapter shows you how to set up your LED projector and use its parts for input device connection.

## **Chapter 3: Using the onscreen display menu**

This chapter talks about the features of your LED projector's onscreen display menu and how to navigate it using the control panel.

## **Appendices**

This section includes safety notices for your LED projector.

## Conventions used in this manual

To highlight key information in this manual, some text are presented as follows:

---

**IMPORTANT!** This message contains vital information that must be followed to complete a task.

---

---

**NOTE:** This message contains additional information and tips that can help complete tasks.

---

---

**WARNING!** This message contains important information that must be followed to keep you safe while performing tasks and prevent damage to your LED projector's data and components.

---

## Typography

**Bold** = This indicates a menu or an item that must be selected.

*Italic* = This indicates sections that you can refer to in this manual.

## Multi-language versions

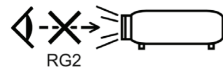
Download other language versions of this E-Manual via this website:

**<https://www.asus.com/support>**

# Safety precautions

## Using your LED projector

- Refer to the manual and take note of the safety instructions before operating your LED projector.
- Follow the notes and warnings stated in the user manual.
- Do not place your LED projector on uneven or unstable surfaces.
- Do not use your LED projector in smoky environments. Smoke residue may cause build-up on critical parts and damage the LED projector or decrease its performance.
- Keep the LED projector's plastic packages out of the reach of children.
- Do not block or place anything near the LED projector's ventilation holes. Doing so may cause internal heat build-up that can degrade picture quality and damage the projector.
- Ensure that the operating voltage of your LED projector matches the voltage of your power source.
- Possibly hazardous optical radiation is emitted from this product. As with any bright light source, do not stare into the beam. (RG2 IEC 62471-5:2015)



## Servicing and replacement of parts

- Do not disassemble or attempt to service this LED projector by yourself. Contact your local ASUS service center for assistance.
- When replacing parts of your LED projector, purchase items as specified by ASUS and contact your local service center for assistance.

## Caring for your LED projector

- Switch off then unplug the LED projector from the power outlet before cleaning it.
- When cleaning the LED projector's housing, use a clean soft cloth dampened with water or a mix of water and neutral detergent. Wipe it dry using a soft dry cloth.
- Ensure that the lens is cool before cleaning it. Gently wipe the lens using a lens cleaning paper. Do not touch the lens with your hands.
- Do not use liquid or aerosol cleaners, benzene, or thinners on your LED projector.
- Never operate this LED projector immediately after moving it from a cold location. When the LED projector is exposed to a drastic change in temperature, moisture may condense on the lens and its other internal parts. To prevent this, use the unit two (2) hours after an extreme or sudden change in temperature occurs.

## Proper disposal



Do not throw your LED projector in municipal waste. This product has been designed to enable proper reuse of parts and recycling. The symbol of the crossed out wheeled bin indicates that the product (electrical, electronic equipment and mercury-containing button cell battery) should not be placed in municipal waste. Check local regulations for disposal of electronic products.



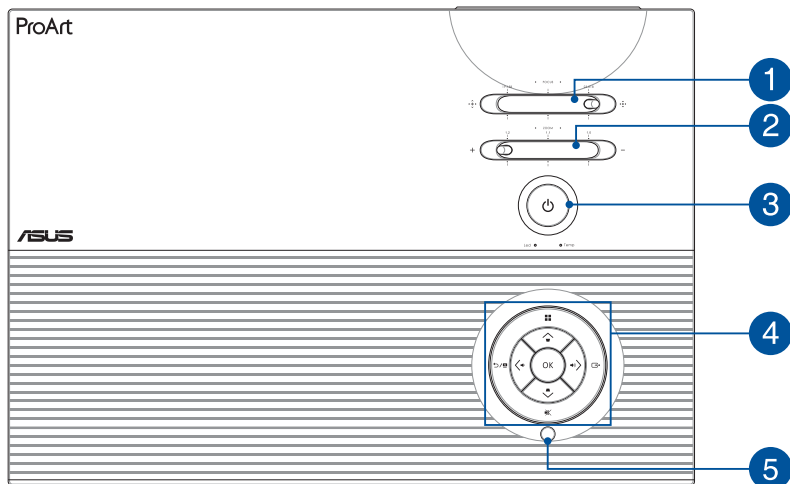
Do not throw the battery in municipal waste. The symbol of the crossed out wheeled bin indicates that the battery should not be placed in municipal waste.



*Chapter 1:*  
***Knowing your LED  
projector***

# Features

## Top View



**1 Focus lever**

This lever allows you to adjust the image focus.

**2 Zoom lever**

This lever allows you to adjust the image size.

**3 Power button**

Press the power button to turn your LED projector on or off.

---






**NOTE:** In the event that your LED projector becomes unresponsive, unplug the power cord and wait until your LED projector shuts down.

---

<b>LED color</b>	<b>Status</b>
<b>Solid White</b>	Power on
<b>Solid Orange</b>	Standby

## 4 Control panel buttons

These buttons correspond to a specific LED projector setting as indicated below.

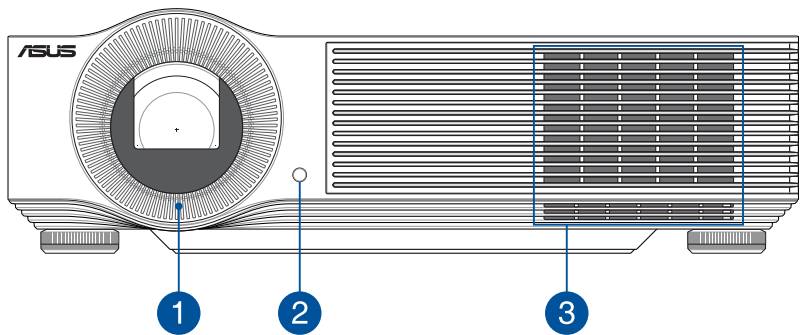
			
Open main menu	<ul style="list-style-type: none"><li>• Back</li><li>• Enter Splendid menu (display modes)</li></ul>	Mute	Input
OK			
<ul style="list-style-type: none"><li>• OK/Enter</li><li>• Open main menu (when no menu is present)</li></ul>		<ul style="list-style-type: none"><li>• Select (up, down, left or right)</li><li>• Adjust keystone (up or down)</li><li>• Adjust volume (left or right)</li></ul>	

**NOTE:** For more information on using your LED projector's settings, refer to the *Using the onscreen display menu* section in this manual.

## 5 Remote sensor

The remote sensor detects signal from your LED projector's remote control, allowing you to access the LED projector's control panel from a distance of up to 8 meters and a receiving angle of  $\pm 30$  degrees.

## Front View



### 1 Lens

The lens projects video or image files onscreen from your input device.

---

**WARNING!** Do not touch the lens using your hands or any sharp object.

---

### 2 Remote sensor

The remote sensor detects signal from your LED projector's remote control, allowing you to access the LED projector's control panel from a distance of up to 8 meters and a receiving angle of  $\pm 30$  degrees.

### 3 Air vents

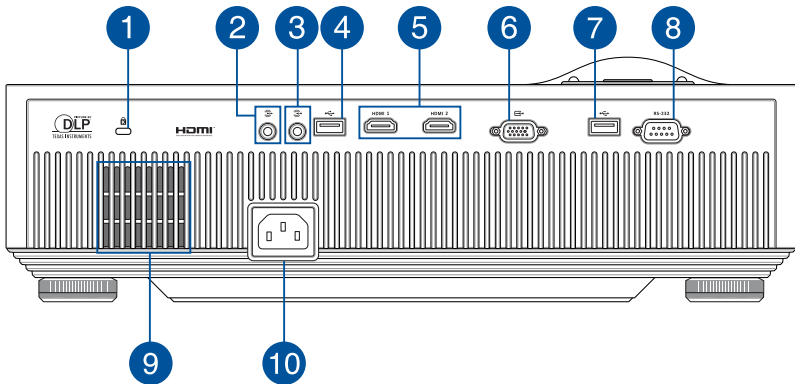
The air vents allow cool air to enter your LED projector.

---

**WARNING!** Ensure that paper, books, clothing, cables, or other objects do not block any of the air vents or else overheating may occur.

---

## Rear View



### 1 Kensington® security slot

The Kensington® security slot allows you to secure your LED projector using Kensington® compatible LED projector security products.

### 2 Line out jack

This jack allows your LED projector to provide an audio signal output.

### 3 Line in jack

This jack allows your LED projector to receive an audio signal input.

### 4 Wi-Fi dongle port

You can insert the bundled Wi-Fi dongle that allows you to mirror or cast content from your mobile device.

---

**NOTE:** For more details, refer to the *Using the Wi-Fi dongle* section in this manual.

---

### 5 **HDMI port**

This port is for the HDMI (High-Definition Multimedia Interface) connectors. This port is HDCP compliant for HD DVD, Blu-ray, and other protected content playback.

### 6 **VGA port**

This port allows you to connect your LED projector to other VGA-compatible devices.

### 7 **Power output port**

This power output port provides up to 5V/1.5A of output voltage and current. You can connect your mobile device to this port to keep it charged.

### 8 **RS-232C port**

This port allows you to connect your LED projector to an RS-232C compatible control terminal with an RS-232C cross cable.

### 9 **Air vents**

The air vents allow cool air to enter and warm air to exit your LED projector.

---

**WARNING!** Ensure that paper, books, clothing, cables, or other objects do not block any of the air vents or else overheating may occur.

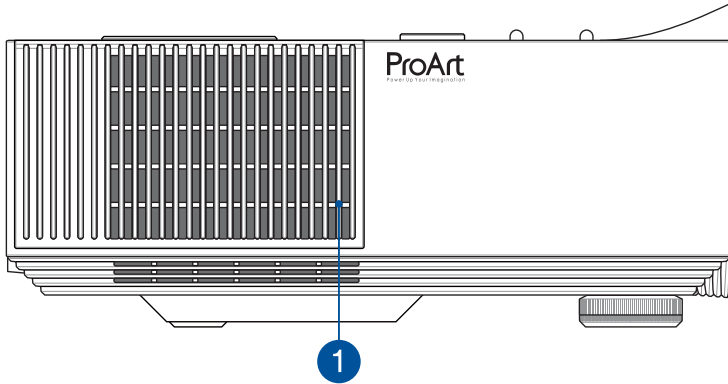
---

### 10 **Power inlet**

Connect the power cord to your LED projector.



## Left View



### 1 Air vents

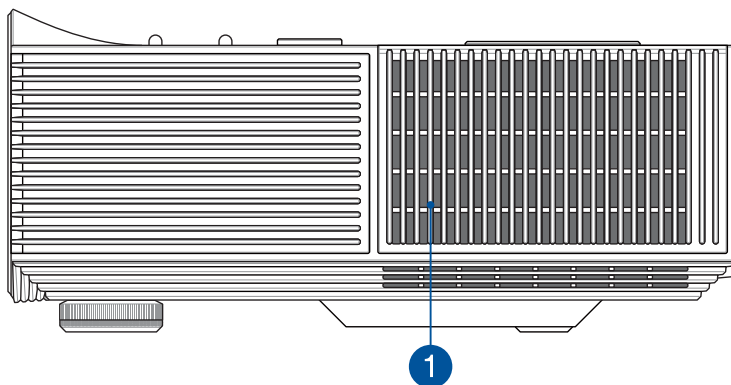
The air vents allow cool air to enter your LED projector.

---

**WARNING!** Ensure that paper, books, clothing, cables, or other objects do not block any of the air vents or else overheating may occur.

---

## Right View



### 1 Air vents

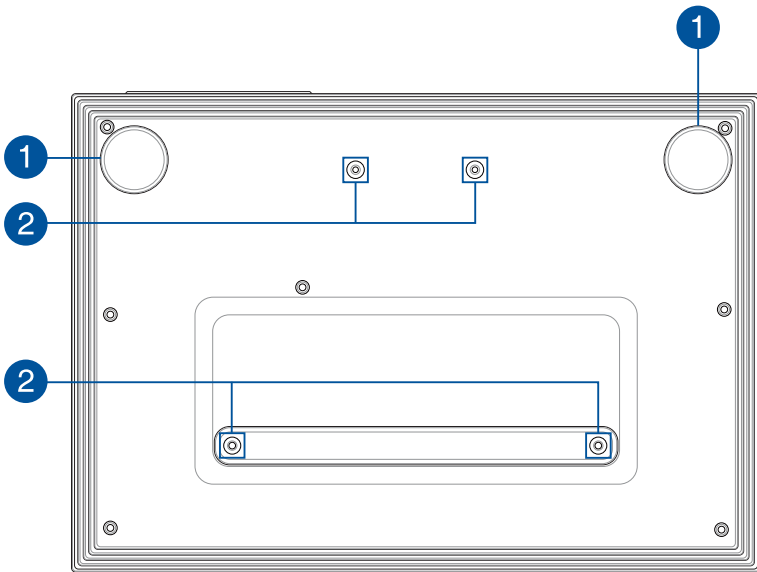
The air vents allow warm air to exit your LED projector.

---

**WARNING!** Ensure that paper, books, clothing, cables, or other objects do not block any of the air vents or else overheating may occur.

---

## Bottom View



### 1 Adjustable foot

Rotate this adjustable foot to level the LED projector or adjust the height of the LED projector.

### 2 Ceiling mount holes

Use these holes to connect the LED projector to a ceiling mount.

---

**NOTE:** For more details, refer to the *Ceiling mount hole details* section in this manual.

---

# Positioning your LED projector

## Choosing a location

Aside from using the LED projector as a tabletop device, you can also mount it on the ceiling using the ceiling mount holes on its bottom side.

---

**IMPORTANT!** Ask a specialist or your retailer for assistance when mounting your LED projector to the ceiling. A qualified professional should do the installation process.

---

**NOTE:**

- You may also refer to the Screen size and projection distance table section in this manual to specify the right distance for mounting your LED projector on the ceiling.
  - Keep a reasonable space between the bracket and the projector to allow for proper heat distribution.
  - In addition to the ceiling mount kit and screws, we also recommend using a metal bar or wire to hold the ceiling-mounted LED projector for added protection and to prevent it from falling due to natural causes such as earthquakes.
-

## Projecting files from a mounted position

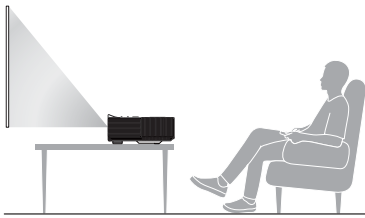
After mounting your LED projector, you need to change its image position settings to ensure that files are automatically flipped and projected correctly onscreen.

To change your image position settings:

1. Navigate to **Display > Projector Position** on your LED projector.
2. Select **Front Ceiling, Rear Ceiling, Front Table** or **Rear Table** to change the settings of your LED projector.

### Front table

---



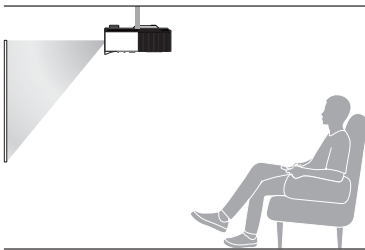
### Rear table

---



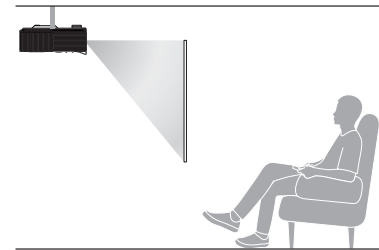
### Front ceiling

---



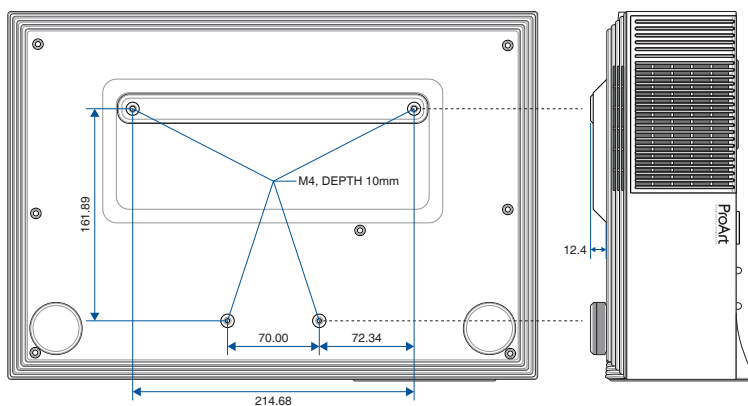
### Rear ceiling

---



## Ceiling mount hole details

**IMPORTANT!** Ensure that the washers included in the ceiling mount kit are placed between the ceiling mount and screw to protect your LED projector and stabilize its position.



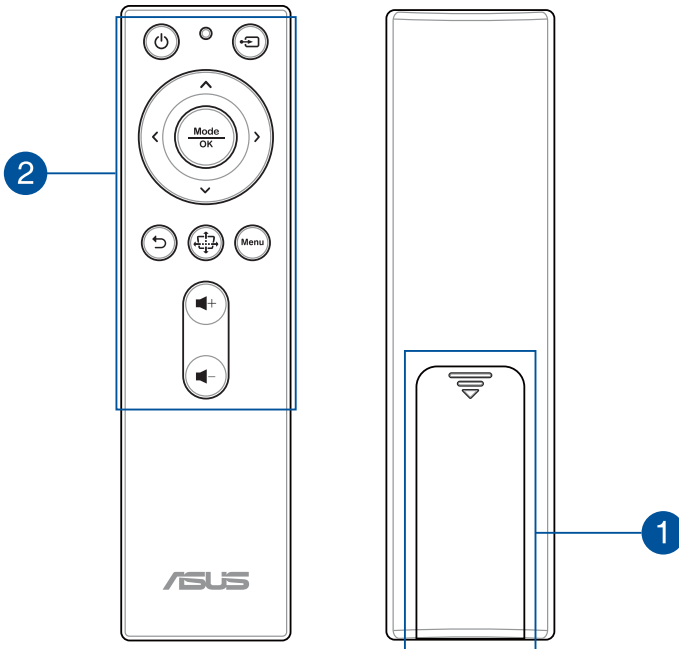
Mount hole location	Screw size	Pieces of screw
Front ceiling mount	M4 X 24mm (Min. L)	2
Rear ceiling mount	M4 X 12mm (Min. L)	2

# LED projector remote control

---

**NOTE:** Actual appearance may vary depending on model.

---



## 1 Battery compartment

The battery compartment allows you to use AAA batteries to power your LED projector's remote control.


---

**NOTE:** For more details on using the battery compartment, refer to the *Replacing the battery* section in this manual.


---


## 2 Remote control buttons

These additional buttons allow you to use the LED projector from a distance of up to 8 meters.


 **Power** - Press this button to turn your LED projector on or off.


 **Input** - Press this button to change the input source.

 **Back** - Press this button to go back to the previous screen.

 **Keystone** - Press this button to adjust the keystone of your projection onscreen.

**Menu** **Menu** - Press this button to launch the menu

 **Volume down** - Press this button to decrease the volume.

 **Volume up** - Press this button to increase the volume.

 **Up** - Press this button to move up.

 **Down** - Press this button to move down.

 **Left** - Press this button to move left.

 **Right** - Press this button to move right.

**Mode**  
**OK** **Mode/OK** - Press this button to enter the Splendid menu (display modes) or confirm a menu selection.

---

**NOTE:** For more details on the onscreen display menu, refer to the *Using the onscreen display menu* section in this manual.

---



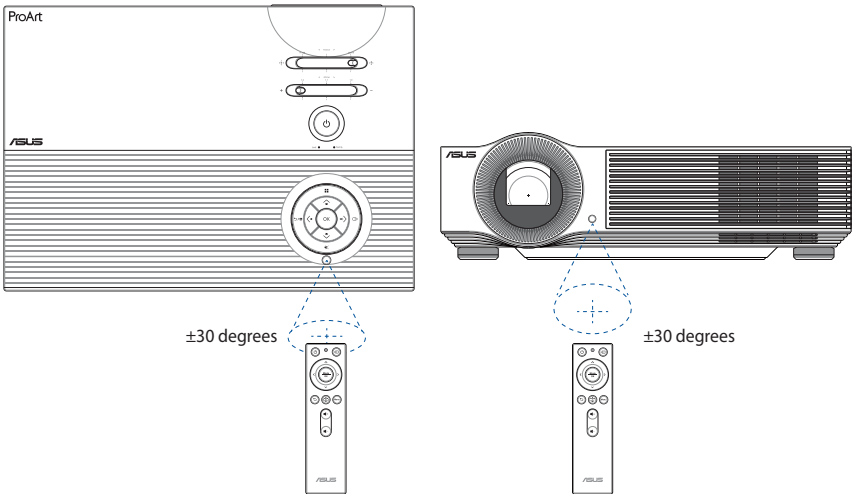
## Remote control effective range

Remote sensors are located on the top and front of your LED projector. The remote control must be held at an angle of  $\pm 30$  degrees perpendicular to the projector's remote control to function correctly. The distance between the remote control and the sensor should not exceed 8 meters (about 26 feet).

---

**NOTE:** Ensure that there are no obstacles between the remote control and the remote sensor on your LED projector.

---





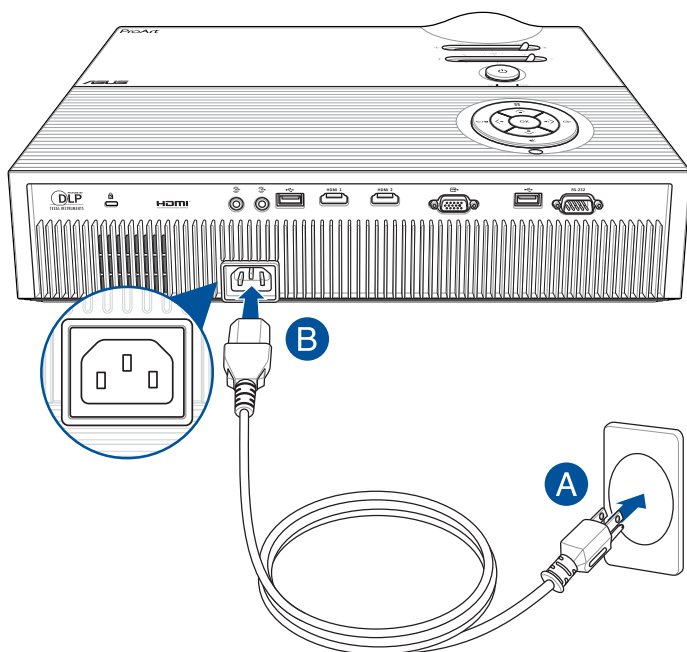
## *Chapter 2:*

# *Setting up*

## Operating your LED projector

For your safety and to maintain the quality of this unit, refer to the following steps when operating your LED projector.

- A. Connect the AC power cord to a power source.
- B. Connect the AC power connector to your LED projector.



## AC power cord requirements

Use the correct AC plug type according to your current location.

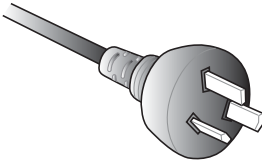
---

**IMPORTANT!** Contact your sales dealer if the AC power cord bundled with your LED projector does not match your local power source.

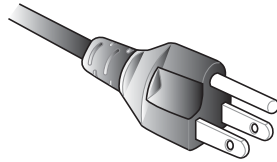
---

**NOTE:** We highly recommend that you use a video source device that also uses a grounding type plug to prevent signal interference due to voltage fluctuations.

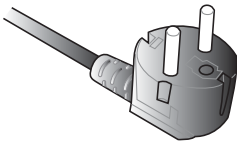
---



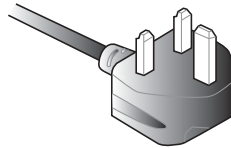
For Australia and Mainland China



For U.S.A., Canada, and Taiwan



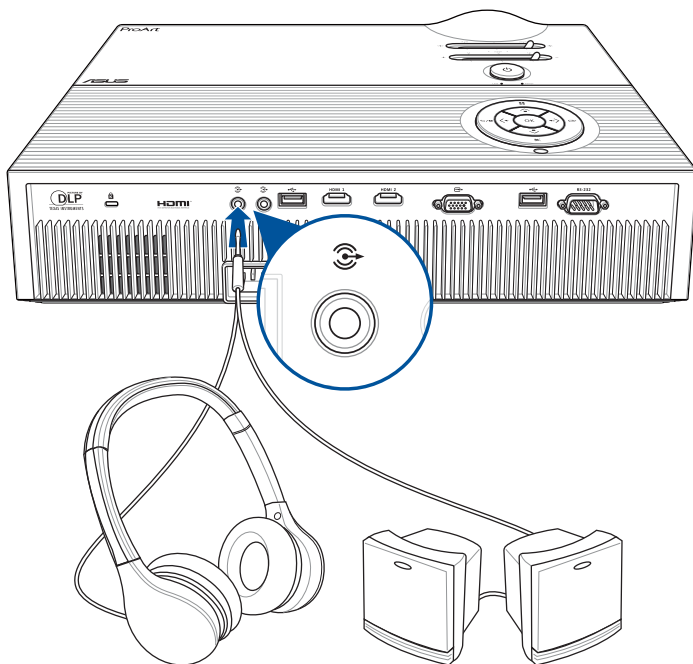
For Continental Europe



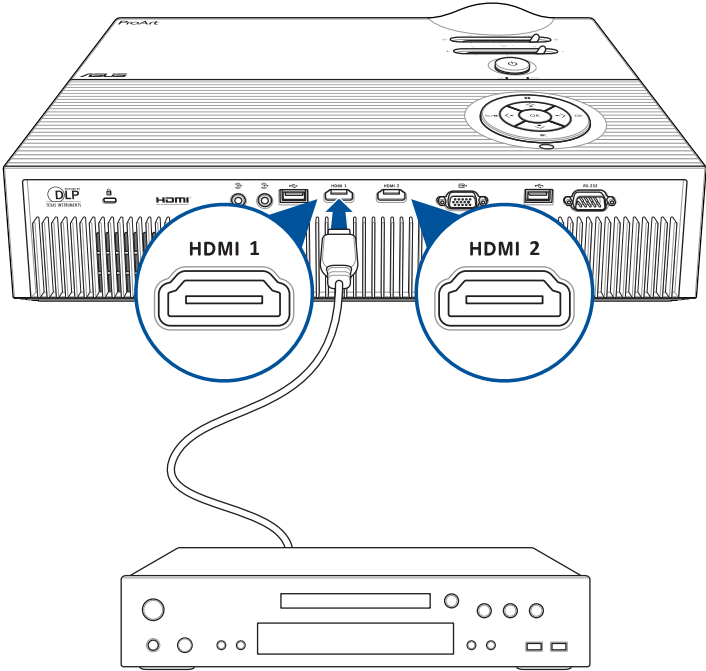
For U.K.

## Connect the LED projector to your device

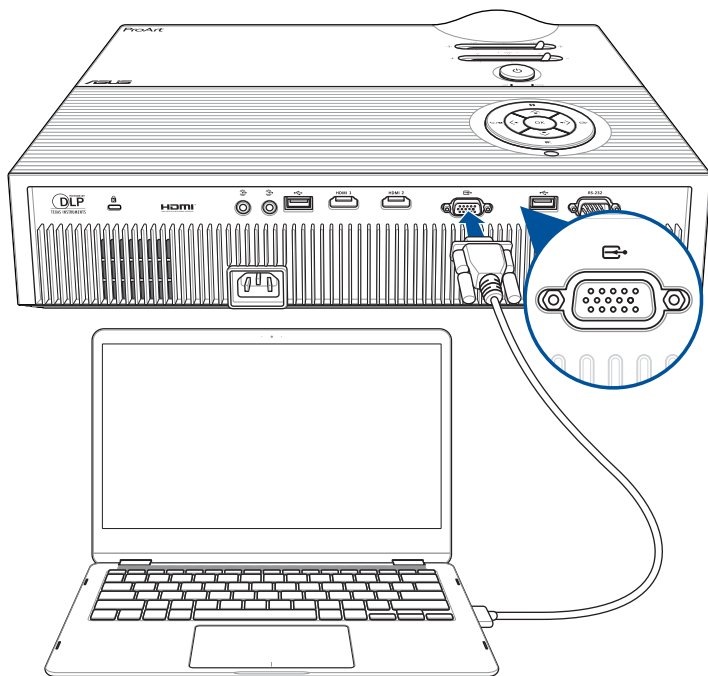
### A. Audio output jack



B. HDMI



## C. VGA





## Adjust the height of the LED projector

Your LED projector comes with a built-in stand that helps adjust the image height onscreen.

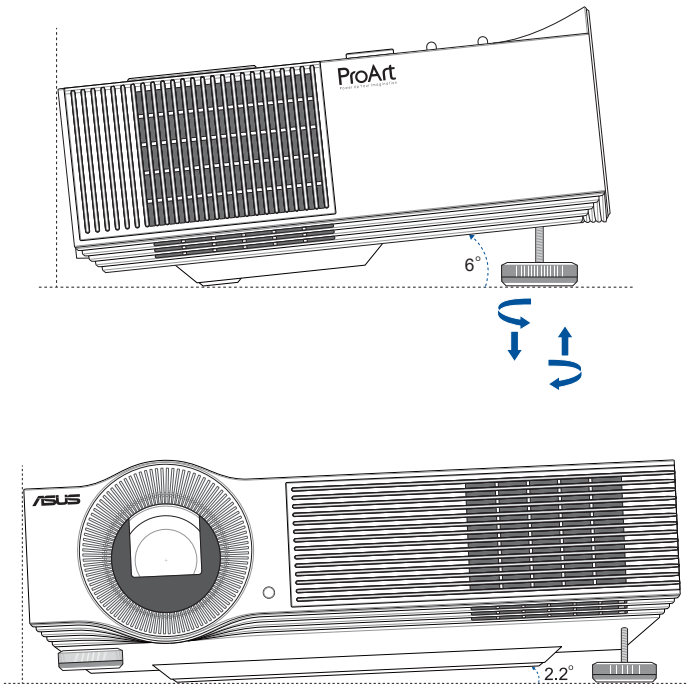
---

**WARNING!** Ensure that the built-in stand is fully retracted before placing the LED projector inside the projector bag.

---

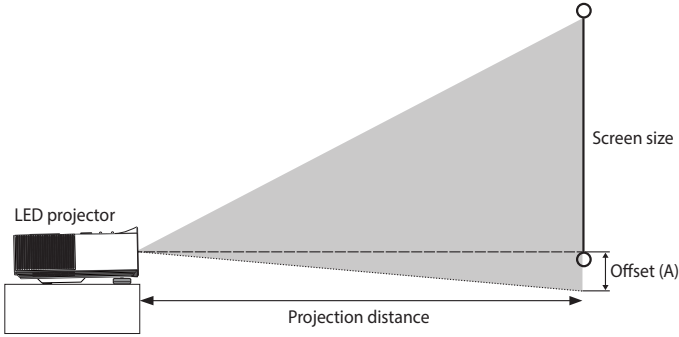
**NOTE:**

- Place the LED projector on a stable flat surface.
  - Keep a space of 30 cm or more between the sides of the LED projector.
  - Consult your dealer for special installation procedures like suspending the LED projector from the ceiling.
- 



## Screen size and projection distance

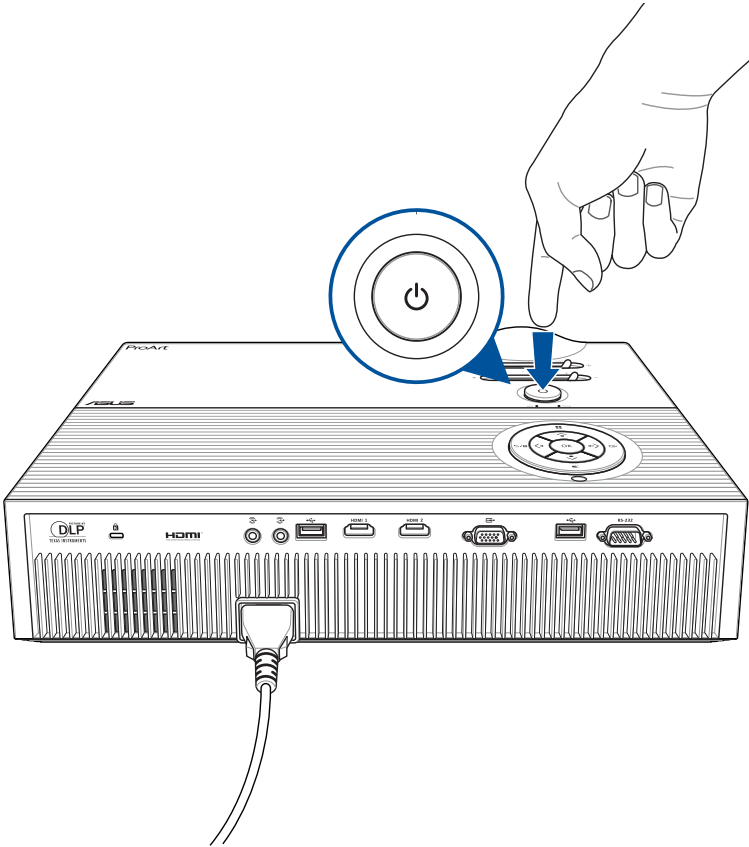
Adjust the LED projector's distance from the screen using the table below.



**NOTE:** The screen aspect ratio is 16:9 (1920 x 1080) and the projected image is in a 16:9 aspect ratio.

Screen Size				Projection Distance (mm)			Offset (mm)
Screen Diagonal		Width (mm)	Height (mm)	Min. distance (Max. zoom)	Average distance	Max. distance (Min. zoom)	A(mm) @wide mode
inch	mm						
60	1524	1328	747	1727	1899	2072	-62
70	1778	1550	872	2012	2216	2417	-73
80	2032	1771	996	2302	2533	2763	-83
90	2286	1992	1121	2590	2849	3108	-93
95	2413	2103	1183	2734	3007	3281	-99
100	2540	2214	1245	2878	3166	3454	-104
120	3048	2657	1494	3454	3799	4144	-125
150	3810	3321	1868	4317	4749	5180	-156

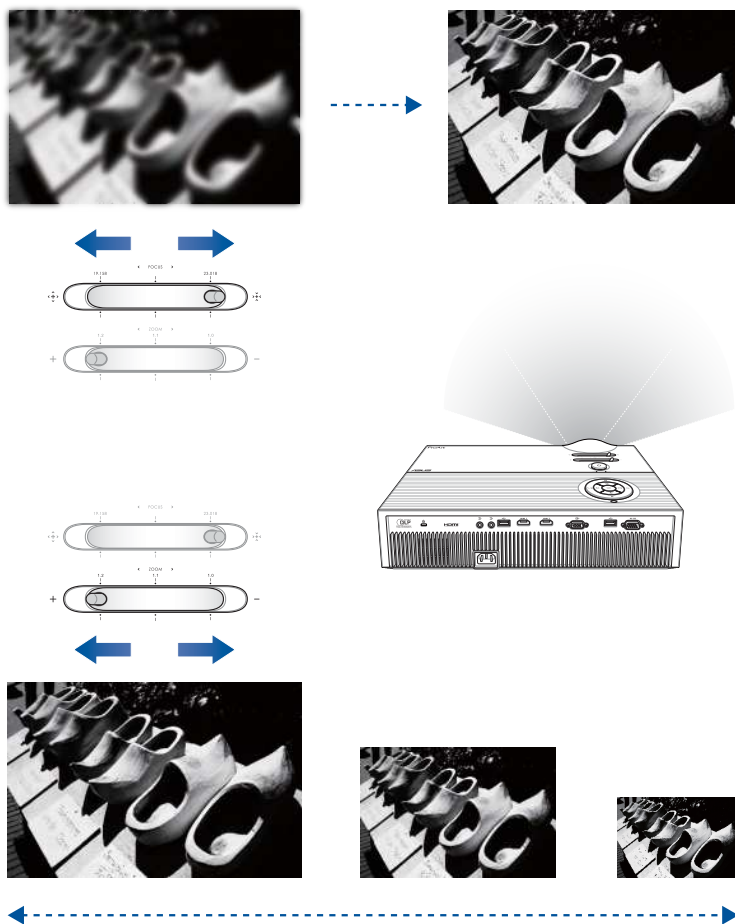
# Press the power button



## Adjust the image focus and size

**NOTE:** Use a still image when adjusting the onscreen display.

Move the focus lever to adjust the image focus, and move the zoom lever to adjust the projected screen size.



**Chapter 3:**  
***Using the onscreen  
display menu***

---

**NOTE:** The following screenshots are for reference only and may be updated without prior notice. Screenshots may also vary depending on the LED projector model.

---

## Using your LED projector for the first time

Refer to the following steps when using your LED projector for the first time.

---

**NOTE:** Ensure that your LED projector is connected to the power adapter before turning it on for the first time. We strongly recommend that you use a grounded wall socket while using your LED projector on power adapter mode.

---

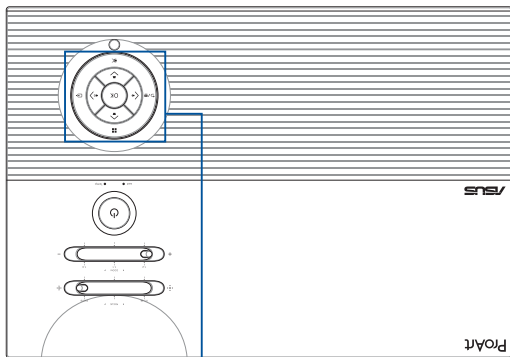
1. Set up your LED projector then press the power button.
2. Move the joystick left or right on your LED projector to browse through the available language options.
3. After you have chosen your preferred language, press the center of the joystick to set this language for use on your LED projector.
4. You may now start using your LED projector to display files from your input device. The **NO SIGNAL** screen may appear if no input device is connected or cannot be detected by the LED projector.

# Adjusting your LED projector's settings

To adjust your LED projector settings:

1. Press **■** on your LED projector (or press the **Menu** button on your remote control) to launch the onscreen display menu.
2. Press the **Up** or **Down** button to select the menu option you would like to adjust.
3. Press **OK** button on your LED projector (or press the **Mode/OK** button on your remote control) to open the selected option's settings.
4. Press the **Left** or **Right** button to adjust the settings according to your preference.
5. When finished, press **↶/■** on your LED projector (or press **↶/■** on your remote control) to apply the new settings and return to the menu selection screen.

Remote control buttons

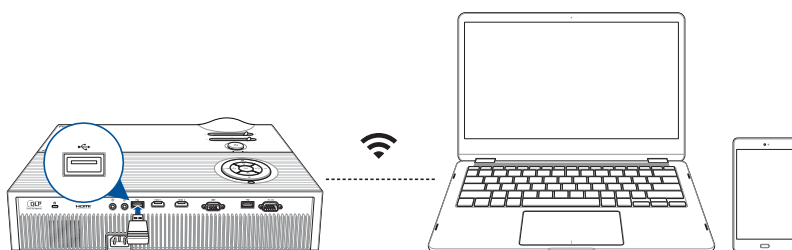


Control panel buttons

## Using the Wi-Fi dongle

The bundled Wi-Fi dongle allows you to project your mobile device's screen or stream from your mobile device to your LED projector. The setup process may differ slightly between Android and iOS mobile devices.

Before setting up the screen mirroring or casting, ensure to (1) insert the bundled Wi-Fi dongle correctly and (2) turn on the Wi-Fi on your mobile device.





## For Android devices

### To mirror from your mobile device:

1. Make sure the Wi-Fi on your mobile device is enabled.
2. Tap **Smart Mirroring** or **Cast** and connect to your LED projector's SSID as shown on the projection screen.
3. Begin projecting your mobile device's screen to the LED projector.


### To cast from YouTube:

1. On your mobile device's screen, navigate to **Settings > Wi-Fi >** and tap your LED projector's SSID (as shown on the projection screen) from the network list.
2. Enter the password (as shown on the projection screen) to connect.
3. Open your browser and type the URL (as shown on the projection screen) in the address bar. You will be directed to a web page to connect your LED projector to the Wi-Fi network.

---

#### NOTE:

- Ensure your mobile device and LED projector are connected to the same Wi-Fi network before you continue to the next step.
  - To connect to a different Wi-Fi network, repeat step 3 and select the Wi-Fi network you prefer on the web page.
- 

4. Open the YouTube app, then tap the **Cast** button  at the top of the Home screen. From the device list, select your LED projector to cast to.
5. Once connected, tap **Play** and your content will start playing from the projector.

## For iOS devices

### To mirror from your mobile device:

1. Make sure the Wi-Fi on your mobile device is enabled.
2. Tap **Screen Mirroring** and connect to your LED projector's SSID as shown on the projection screen.
3. Begin projecting your mobile device's screen to the LED projector.

### To cast from YouTube:


#### Standard settings

1. On your mobile device's screen, navigate to **Settings > Wi-Fi >** and tap your LED projector's SSID (as shown on the projection screen) from the network list.
2. Enter the password (as shown on the projection screen) to connect.
3. Open your browser and type the URL (as shown on the projection screen) in the address bar. You will be directed to a web page to connect your LED projector to the Wi-Fi network.

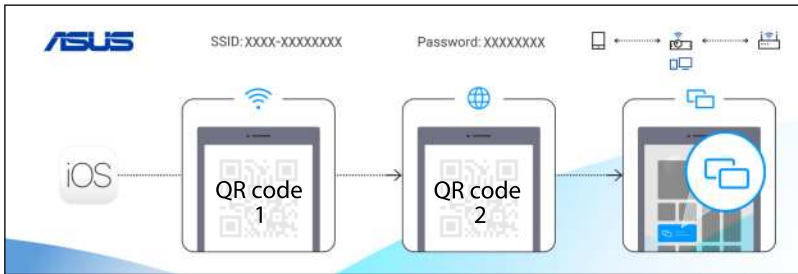
---

#### NOTE:

- Ensure your mobile device and LED projector are connected to the same Wi-Fi network before you continue to the next step.
- To connect to a different Wi-Fi network, repeat step 3 and select the Wi-Fi network you prefer on the web page.

- 
4. Open the YouTube app, then tap the **Cast** button  at the top of the Home screen. From the device list, select your LED projector to cast to.
  5. Once connected, tap **Play** and your content will start playing from the projector.


## Quick settings



1. Scan QR code 1 on the projection screen, then your mobile device will connect to your LED projector.
2. Scan QR code 2 on the projection screen, then your LED projector will connect to the Wi-Fi network.

---

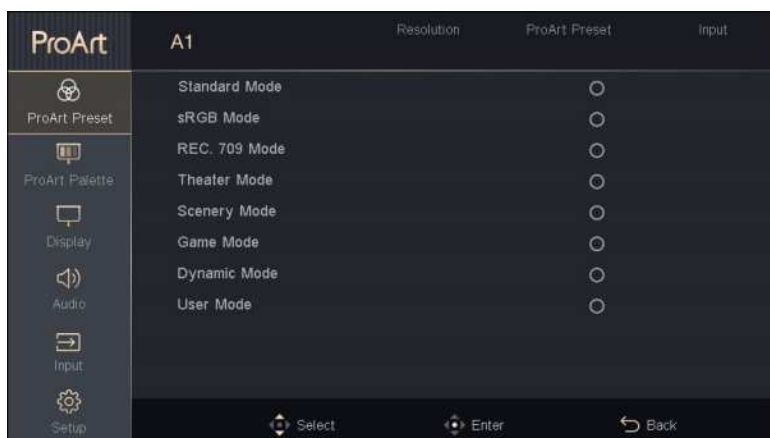
### NOTE:

- Ensure your mobile device and LED projector are connected to the same Wi-Fi network before you continue to the next step.
  - To connect to a different Wi-Fi network, repeat step 3 and select the Wi-Fi network you prefer on the web page.
- 
3. Open the YouTube app, then tap the **Cast** button  at the top of the Home screen. From the device list, select your LED projector to cast to.
  4. Once connected, tap **Play** and your content will start playing from the projector.

# Onscreen display menu options

## ProArt Preset

The options under this menu allow you to select a suitable color mode according to different input source.



- **Standard Mode** - This option is optimized for document viewing.
- **sRGB Mode** - This option is compatible with sRGB color space.
- **REC. 709 Mode** - This option is compatible with REC. 709 color space.
- **Theater Mode** - This option is optimized for movie viewing.
- **Scenery Mode** - This option is optimized for scenery viewing.
- **Game Mode** - This option is optimized for video games.
- **Dynamic Mode** - This option is optimized for viewing in a bright environment.
- **User Mode** - This option allows you to apply your customized color configuration.

## ProArt Palette

The options under this menu allow you to adjust image options to fine tune your image projection onscreen.



- **Brightness** - Select this menu option to adjust the brightness of your projection onscreen.
- **Contrast** - Select this menu option to adjust the contrast of your projection onscreen.
- **Saturation** - Select this menu option to adjust the saturation of your projection onscreen.
- **Tint** - Select this menu option to adjust the tint of your projection onscreen.
- **Sharpness** - Select this menu option to adjust the sharpness of your projection onscreen.
- **Color Temperature** - This option allows you to adjust the color temperature of your LED projector.
- **Wall Color** - This option allows you to choose a proper color according to the wall.

- **Gamma** - Select this menu option to adjust the gamma of your projection onscreen.
- **Color Setting** - Select this menu option to adjust the color of your projection onscreen.

### **Color**

Select any of the six-axis colors (RGBCMY) you wish to adjust.

### **Hue**

Adjust the hue of the selected color.

### **Saturation**

Adjust the saturation of the selected color.

### **Gain**

Adjust the gain levels for RGB.

- **Color Reset** - Select this menu option to reset your color mode of your projection onscreen.

## Display

The options under this menu allow you to adjust how the image projection will be displayed.



- **Projector Position** - This option allows you to change the way your projections are oriented onscreen based from the current location of your LED projector.
- **Keystone** - Select this menu option to adjust the keystone of your projection onscreen.
- **Four Corners** - Select this menu option to adjust the corners of your projection onscreen.
- **Aspect Ratio** - Select this menu option to adjust the screen ratio of your projection onscreen.
- **VGA settings** - Select this menu option to adjust the display settings from the VGA port.

---

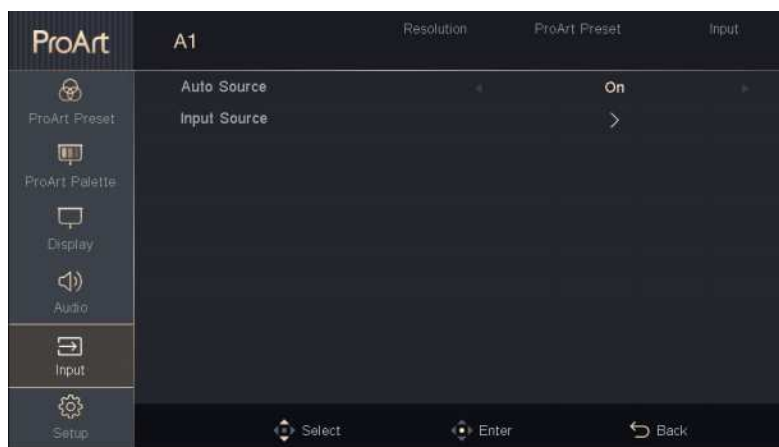
**NOTE:** This option is only available when your LED projector is connected to a device with a VGA cable.

---

- **Digital Zoom** - This option allows you to zoom in, zoom out, and pan your projection onscreen.
- **3D** - Select this menu option to adjust 3D settings of your projection onscreen.
- **Background Color** - Select this menu option to adjust the background color of your projection onscreen.

## Input

The options under this menu allow you to select the input source for your LED projector.



- **Auto Source** - This option allows you to turn Auto Source on or off. Turn this option on to scan the connected devices to your LED projector automatically.
- **Input Source** - This option allows you to manual select the input source to your LED projector.



## Setup

The options under this menu allow you to configure system settings for your LED projector.



- **Language** - This option allows you to select the language to use on your LED projector's onscreen display menu.
- **Power Settings** - This option allows you to configure the power settings.

---

**NOTE:** The **DC 5V Out** option in the sub-menu allows you to configure whether the USB port supports power output when your projector is turned off.

---

- **Light Mode** - This option allows you to select different light mode for your projector.

---

**NOTE:** Select **Eco** mode if you wish to save power and extend the life of the LED.

---

- **High Altitude** - This option allows you to adjust the fan speed to reflect the environment.

**On:** Increases fan speed for high temperature, humidity or altitude.

**Off:** Standard fan speed for regular conditions.

- **Security** - This option allows you to change, enable or disable the security password.

#### **Password Protection**

**On:** A password is required to power on your LED projector and to enter the Security menu.

**Off:** No password is required.

#### **Change Password**

Follow the on-screen instructions to change the password. (Default password: press the arrow [up-down-left-right] on the Control panel.)

---

#### **NOTE:**

- After changing your password, press **OK** (or press the **Mode/OK** button on your remote control) to save the new password and exit.
  - Ensure to make a note of your password and keep the note in a secure place.
-

- **OSD Timeout** - This option allows you to set the number of seconds before the onscreen display menu disappears from your projection screen.
- **Control Method** - This option allows you to select the way of control method between RS-232 and USB.
- **WiFi Setting** - This option allows you to change the Wi-Fi band between 5GHz and 2.4GHz.
- **Information** - Select this menu option to see an overview of information about your LED projector.
- **Reset** - This option allows you to reset all the settings you have currently set up for your LED projector.

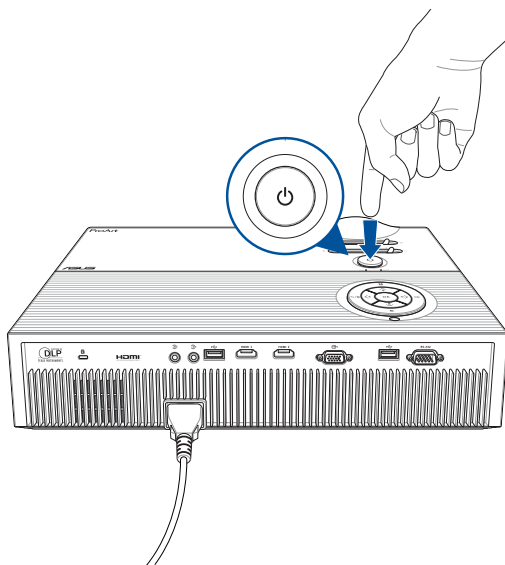
---

**NOTE:** Please wait for at least eight (8) seconds for the reset process to complete, then reselect a language.

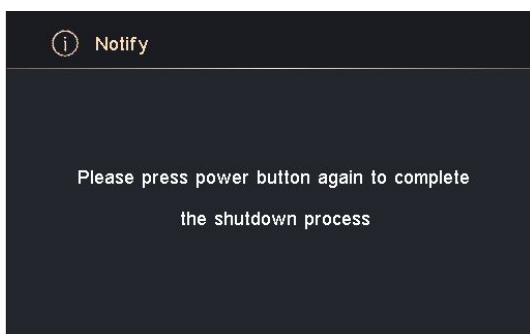
---

## Turning off your LED projector

1. Press the power button.



2. When the following screen appears, press the power button again to completely turn off your LED projector.



## Using 3D glasses

Your LED projector supports 3D technology for an enhanced viewing experience.

---

**IMPORTANT!** Purchase DLP Link 3D glasses. Your 3D files must be compatible with the 3D format.

---

---

**NOTE:** For more details on viewing 3D files, refer to the user guide that comes with your 3D glasses.

---

To view 3D files:

1. Play your 3D file, then navigate to **Display > 3D** on your LED projector.

---

**NOTE:** The 3D mode is set to **Auto** by default.

---

2. Select **Auto** to allow your LED projector to automatically select a 3D mode best suited for your 3D file.

---

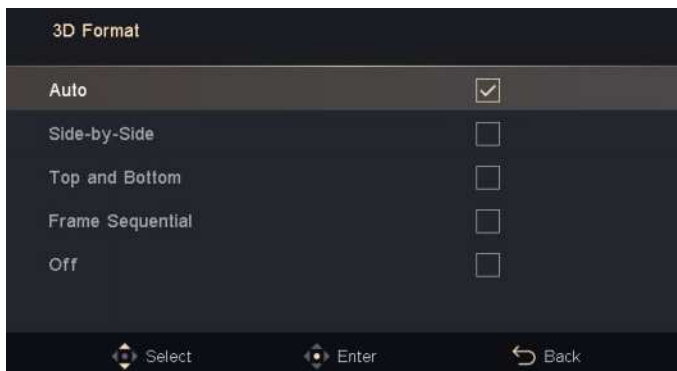
**NOTE:** Select a 3D mode manually if your LED projector cannot detect which 3D mode to use.

---

---

**IMPORTANT!** Set the 3D mode back to **Off** to exit 3D mode.

---



## Multi-language versions

Download other language versions of this E-Manual via this website:

**<https://www.asus.com/support>**

# *Appendices*

## Federal Communications Commission Statement

Responsible Party: Asus Computer International  
Address: 48720 Kato Rd., Fremont, CA 94538, USA  
Phone / Fax No: (510)739-3777 / (510)608-4555  
Product name: LED projector  
Model: A1

This equipment has been tested and found to comply with the limits for a class B digital device, pursuant to Part 15 of the Federal Communications Commission (FCC) rules. These limits are designed to provide reasonable protection against harmful interference in a residential installation. This equipment generates, uses, and can radiate radio frequency energy and, if not installed and used in accordance with the instructions, may cause harmful interference to radio communications. However, there is no guarantee that interference will not occur in a particular installation. If this equipment does cause harmful interference to radio or television reception, which can be determined by turning the equipment off and on, the user is encouraged to try to correct the interference by one or more of the following measures:

- Reorient or relocate the receiving antenna.
- Increase the distance between the equipment and receiver.
- Connect the equipment to an outlet on a different circuit than that which the receiver is connected to.
- Consult the dealer or an experienced radio/TV technician for help.

This device complies with Part 15 of the FCC Rules. Operation is subject to the following two conditions:

1. This device may not cause harmful interference, and
2. This device must accept any interference that may cause undesired operation.



## **Compliance Statement of Innovation, Science and Economic Development Canada (ISED)**

This device complies with Innovation, Science and Economic Development Canada licence exempt RSS standard(s). Operation is subject to the following two conditions: (1) this device may not cause interference, and (2) this device must accept any interference, including interference that may cause undesired operation of the device.

CAN ICES-003(B)/NMB-003(B)

## **Déclaration de conformité de Innovation, Sciences et Développement économique Canada (ISED)**

Le présent appareil est conforme aux CNR d'Innovation, Sciences et Développement économique Canada applicables aux appareils radio exempts de licence. L'exploitation est autorisée aux deux conditions suivantes : (1) l'appareil ne doit pas produire de brouillage, et (2) l'utilisateur de l'appareil doit accepter tout brouillage radioélectrique subi, même si le brouillage est susceptible d'en compromettre le fonctionnement.

CAN ICES-003(B)/NMB-003(B)

## **Global Environmental Regulation Compliance and Declaration**

ASUS follows the green design concept to design and manufacture our products, and makes sure that each stage of the product life cycle of ASUS product is in line with global environmental regulations. In addition, ASUS disclose the relevant information based on regulation requirements.

Please refer to <http://csr.asus.com/english/Compliance.htm> for information disclosure based on regulation requirements ASUS is complied with:

### **Japan JIS-C-0950 Material Declarations**

### **EU REACH SVHC**

### **Korea RoHS**

## **ASUS Recycling/Takeback Services**

ASUS recycling and takeback programs come from our commitment to the highest standards for protecting our environment. We believe in providing solutions for you to be able to responsibly recycle our products, batteries, other components as well as the packaging materials. Please go to <http://csr.asus.com/english/Takeback.htm> for detailed recycling information in different regions.

## **Canadian Department of Communications Statement**

This Class B digital apparatus complies with Canadian ICES-003.

Cet appareil numérique de la classe B est conforme à la norme NMB-003 du Canada.

## Specifications for A1 series LED projector

		A1
<b>Display</b>	Display Technology	0.65" DLP®
	Light Source	R/G/B LED
	Light Source Life	30,000 hours (Max.)
	True Resolution (native)	FHD 1920x1080
	Light Output (Max.)	3000 ANSI lumens
	Contrast Ratio	800:1 (Typical)
	Color Saturation (NTSC)	98% Rec. 709/sRGB (Coverage)
	Display Colors	1.07 Billion Colors
<b>Projection Lens</b>	Throw Ratio (@16:9)	1.3~1.56 (100" @2.85m)
	Projection Distance	1.15 ~ 5.7 meters
	Projection/Screen Size	40 ~ 200 inches
	Projection Offset	83±5%
	Zoom Ratio	1.2x
	Focus	Manual focus
<b>Video Features</b>	Picture Modes	8 Modes (Standard Mode, sRGB Mode, Rec. 709 Mode, Theater Mode, Scenery Mode, Game Mode, Dynamic Mode, User Mode)
	Keystone Adjustment	Vertical and horizontal keystone correction (±40°)
	Auto Keystone	Yes (Vertical)
	Aspect Ratio	Auto /16:10 / 16:9 / 4:3
	Projector Placement	Front Table, Rear Table, Front Ceiling, Rear Ceiling

(continued on the next page)

		A1
<b>Video Features</b>	HDCP Support	Yes, 2.2
	3D Support	Yes
	Wireless Projection	Yes (Android, iOS and Windows device)
<b>Audio Features</b>	Built-in Speakers	10W (speaker)
<b>Signal Frequency</b>	Analog Signal Frequency	Horizontal: 15 ~ 101 KHz Vertical: 50 ~ 120 Hz
	Digital Signal Frequency	Horizontal: 15 ~ 101 KHz Vertical: 24 ~ 120 Hz
<b>Power</b>	Standby Mode	<0.5W
	Power Consumption	370W (Max.)
<b>Noise Level</b>	Acoustic Noise	32dBA (Standard Mode) / 28dBA (ECO Mode)
<b>I/O Ports</b>	Signal Input	2 x HDMI 2.0 1 x VGA
	Audio	Audio in / Audio out (3.5mm mini-jack)
	Control	1 x RS-232
	USB Port	2 x USB
<b>Mechanical Design</b>	IR Receiver	Front and top
	Adjustment Foot	Yes
	Ceiling Mount	Yes
<b>Security</b>	Kensington Lock	Yes
<b>Dimension</b>	Physical Dimension	405(W) x 99(H) x 283(D) mm (without feet)
	Box Dimension	560(W) x 274(H) x 430(D) mm

*(continued on the next page)*

		A1
<b>Weight</b>	Net Weight (Esti.)	5.7 Kg
	Gross Weight (Esti.)	8.1 Kg
<b>Operating Temperature</b>		0 ~ 40° C
<b>Operating Humidity</b>		10 ~ 90%
<b>Accessories</b>		HDMI cable, Power cord, Remote control, USB WiFi dongle, Carrying bag, AAA battery x 2, Factory pre-calibration report, Quick Start Guide, Warranty card

- \* Specifications are subject to change without prior notice.
- \*\* Product availability may vary by region.
- \*\*\* All brand and product names mentioned are trademarks of their respective companies.

# Supported PC Timings

## VGA

Resolution	Mode	Refresh rate (Hz)	H-frequency (kHz)
720 x 400	720 x 400_70	70.087	31.469
640 x 480	VGA_60	59.94	31.469
	VGA_72	72.809	37.861
	VGA_75	75	37.5
	VGA_85	85.008	43.269
800 x 600	SVGA_60	60.317	37.879
	SVGA_72	72.188	48.077
	SVGA_75	75	46.875
	SVGA_85	85.061	53.674
	SVGA_120 (Reduce Blanking)	119.854	77.425
1024 x 768	XGA_60	60.004	48.363
	XGA_70	70.069	56.476
	XGA_75	75.029	60.023
	XGA_85	84.997	68.667
	XGA_120 (Reduce Blanking)	119.989	97.551
1152 x 864	1152 x 864_75	75	67.5
1280 x 720	1280 x 720_60	60	45
1280 x 768	1280 x 768_60 (Reduce Blanking)	60	47.396
	1280 x 768_60	59.87	47.776
1280 x 800	WXGA_60	59.81	49.702
	WXGA_75	74.934	62.795
	WXGA_85	84.88	71.554
	WXGA_120 (Reduce Blanking)	119.909	101.563
1280 x 1024	SXGA_60	60.02	63.981
	SXGA_75	75.025	79.976
	SXGA_75	85.024	91.146
1280 x 960	1280 x 960_60	60	60
	1280 x 960_85	85.002	85.938
1360 x 768	1360 x 768_60	60.015	47.712
1366 x 768	1366 x 768_60	59.79	47.712
1440 x 900	WXGA+_60 (Reduce Blanking)	60	55.469
	WXGA+_60	59.887	55.935
1400 x 1050	SXGA+_60	59.978	65.317
1600 x 1200	UXGA	60	75
1680 x 1050	1680 x 1050_60 (Reduce Blanking)	59.883	64.674
	1680 x 1050_60	59.954	65.29
640 x 480@67Hz	MAC13	66.667	35
832 x 624@75Hz	MAC16	74.546	49.722
1024 x 768@75Hz	MAC19	74.93	60.241
1152 x 870@75Hz	MAC21	75.06	68.68
1920 x 1080 (VESA)	1920 x 1080_60	60	67.5
1920 x 1200	1920 x 1200_60 (Reduce Blanking)	59.95	74.038

## 3D Video Format Timings (HDMI only)

Video Mode	Resolution	Frame sequential	Frame Packing	Top-and-Bottom	Side-by-side (Half)
480i	720(1440) x 480	v			
480p	720 x 480	v		v	v
576i	720(1440) x 576	v			
576p	720 x 576	v		v	v
720/50p	1280 x 720	v	v	v	v
720/60p	1280 x 720	v	v	v	v
1080/50i	1920 x 1080	v		v	v
1080/60i	1920 x 1080	v		v	v
1080/24p	1920 x 1080		v	v	
1080/50p	1920 x 1080	v		v	v
1080/60p	1920 x 1080	v		v	v

## HDMI (PC)

Resolution	Mode	Refresh rate (Hz)	H-frequency (kHz)	
720 x 400	720 x 400_70	70.087	31.469	
640 x 480	VGA_60	59.94	31.469	
	VGA_72	72.809	37.861	
	VGA_75	75	37.5	
	VGA_85	85.008	43.269	
800 x 600	SVGA_60	60.317	37.879	
	SVGA_72	72.188	48.077	
	SVGA_75	75	46.875	
	SVGA_85	85.061	53.674	
1024 x 768	SVGA_120 (Reduce Blanking)	119.854	77.425	
	XGA_60	60.004	48.363	
	XGA_70	70.069	56.476	
	XGA_75	75.029	60.023	
	XGA_85	84.997	68.667	
1152 x 864	XGA_120 (Reduce Blanking)	119.989	97.551	
	1152 x 864_75	75	67.5	
	1280 x 720	1280 x 720_60	60	45
	1280 x 768	1280 x 768_60 (Reduce Blanking)	60	47.396
		1280 x 768_60	59.87	47.776
1280 x 800	WXGA_60	59.81	49.702	
	WXGA_75	74.934	62.795	
	WXGA_85	84.88	71.554	
	WXGA_120 (Reduce Blanking)	119.909	101.563	
1280 x 1024	SXGA_60	60.02	63.981	
	SXGA_75	75.025	79.976	
	SXGA_85	85.024	91.146	
1280 x 960	1280 x 960_60	60	60	
	1280 x 960_85	85.002	85.938	
1360 x 768	1360 x 768_60	60.015	47.712	
1366 x 768	1366 x 768_60	59.790	47.712	
1440 x 900	WXGA+_60 (Reduce Blanking)	60	55.469	
	WXGA+_60	59.887	55.935	
1400 x 1050	SXGA+_60	59.978	65.317	
1600 x 1200	UXGA	60	75	
1680 x 1050	1680 x 1050_60 (Reduce Blanking)	59.883	64.674	
	1680 x 1050_60	59.954	65.29	
1920 X 1200	1920 X 1200_60 (Reduce Blanking)	59.95	74.038	
640 x 480@67Hz	MAC13	66.667	35	
832 x 624@75Hz	MAC16	74.546	49.722	
1024 x 768@75Hz	MAC19	75.020	60.241	
1152 x 870@75Hz	MAC21	75.06	68.68	
1920 x 1080 (VESA)	1920 x 1080_60	60	67.5	
3840 x 2160	3840 x 2160_30	30	67.5	
3840 x 2160	3840 x 2160_60	60	135	
1920 x 1080@120Hz	1920 x 1080_120 (only HDMI 2.0 support)	120	135	



## HDMI (Video)

Timing	Resolution	Horizontal frequency (Hz)	Vertical frequency (Hz)	Dot Clock frequency (kHz)
480i	720(1440) x 480	15.73	59.94	27
480p	720 x 480	31.47	59.94	27
576i	720(1440) x 576	15.63	50	27
576p	720 x 576	31.25	50	27
720/50p	1280 x 720	37.5	50	74.25
720/60p	1280 x 720	45.00	60	74.25
1080/50i	1920 x 1080	28.13	50	74.25
1080/60i	1920 x 1080	33.75	60	74.25
1080/24P	1920 x 1080	27	24	74.25
1080/50P	1920 x 1080	56.25	50	148.5
1080/60P	1920 x 1080	67.5	60	148.5
2160/24P	3840 x 2160	54	24	297
2160/25P	3840 x 2160	56.25	25	297
2160/30P	3840 x 2160	67.5	30	297
2160/50P	3840 x 2160	112.5	50	594
2160/60P	3840 x 2160	135	60	594

