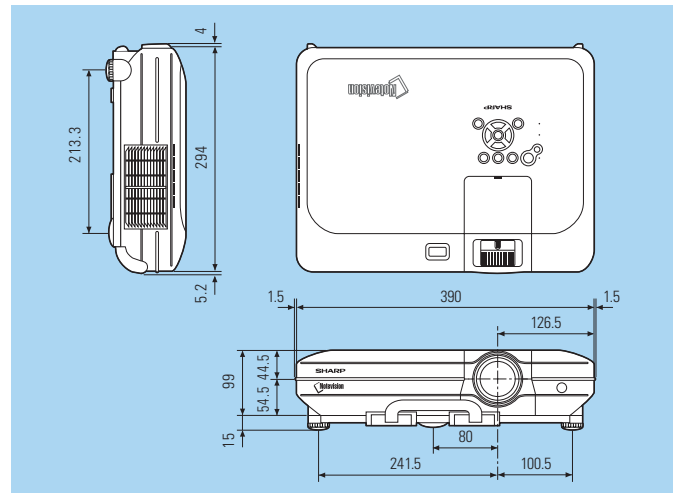


XG-C55X

Dimensional Drawings (Units: mm)



Optional Accessories

Lenses



Projection Distances for a Normal (4:3) 100" Screen (throw ratio)

Model	Throw Ratio	Projection Distance (m)	Projection Distance (ft)
AN-C12MZ	1.2-1.5:1	2.4-3.0	7.9-9.8
Standard	1.8-2.3:1	3.6-4.7	11.8-15.4
AN-C27MZ	2.7-4.3:1	5.4-8.6	17.7-28.2
AN-C41MZ	4.1-5.8:1	8.2-11.6	26.9-38.1

Cables



AN-C10BM RGB cable IBM VGA series (10 m)
 AN-C10MC RGB cable Macintosh II series (10 m)
 AN-C10RS RS-232C serial control cable (10 m)

Ceiling Mounts



AN-TK202 For standard ceiling installation
 AN-TK201 For high ceiling installation
 AN-60TK Installation adaptor

Specifications

Model	XG-C55X
LCD panels	Poly Silicon 0.99" (2.54 cm) active matrix TFT LCD x 3
Number of pixels	1,024 x 768 pixels
Resolution	550 TV lines (composite input), 750 TV lines (DTV 720P input)
Video/data systems	RGB input signals: UXGA/SXGA+/SXGA/Mac 21" (in advanced intelligent compression), XGA, SVGA, VGA, PC-98, VESA, Mac 19"/16"/13", 15-126 kHz (horizontal), 43-200 Hz* (vertical), 12-230 MHz (pixel clock) (plug & play VESA; DDC 1/2B) Video colour systems: NTSC/NTSC 4.43/PAL/PAL (60 Hz)/PAL-M/PAL-N/SECAM/DTV (480I/480P/540P/580I/580P/720P/1035I/1080I-50 Hz/60 Hz)
Lens	1:1.27 manual zoom and focus
Projection size	40" (102 cm) to 300" (762 cm) diagonal
Projection distance	40" (102 cm): 1.4-1.8 m, 100" (254 cm): 3.6-4.7 m, 300" (762 cm): 11-14.1 m
Luminance	3,000 ANSI lumen (Standard Mode)/2,400 ANSI lumen (Low Power Mode)
Contrast ratio	400:1
Audio amplifier	3 W
Speakers	7 x 4 cm (oval) x 1
Input terminals	Video x 1 (RCA), S-video x 1, audio L/R mono mixing x 1 (RCA), computer RGB/component x 2 (15-pin mini D-sub), audio L/R x 1 (3.5 mm stereo mini jack), RS-232C serial port x 1 (9-pin D-sub), wired remote control x 1 (3.5 mm mini jack)
Output terminals	Computer RGB/component x 1 (15-pin mini D-sub), audio L/R x 1 (3.5 mm stereo mini jack)
Power source	100-240 V AC, 50/60 Hz (Multi-Voltage)
Power consumption	400 W (Standard Mode)/325 W (Low Power Mode)/0.8 W (Standby)
Fan noise	37 dB (Standard Mode)/34 dB (Low Power Mode)
Projection lamp	300 W SHP lamp
Lamp life	2,000 hours (Standard Mode)/3,000 hours (Low Power Mode)
Dimensions (W x H x D)	390 x 99 x 294 mm (main body only) 393 x 114 x 303.2 mm (including adjuster legs and projecting parts)
Weight	5.1 kg (11.3 lbs)

* Temporary noise may be visible with vertical frequencies above 100 Hz if OSD functions are activated.
 Design and specifications are current as of July 2003, but are subject to change without notice.

SHARP

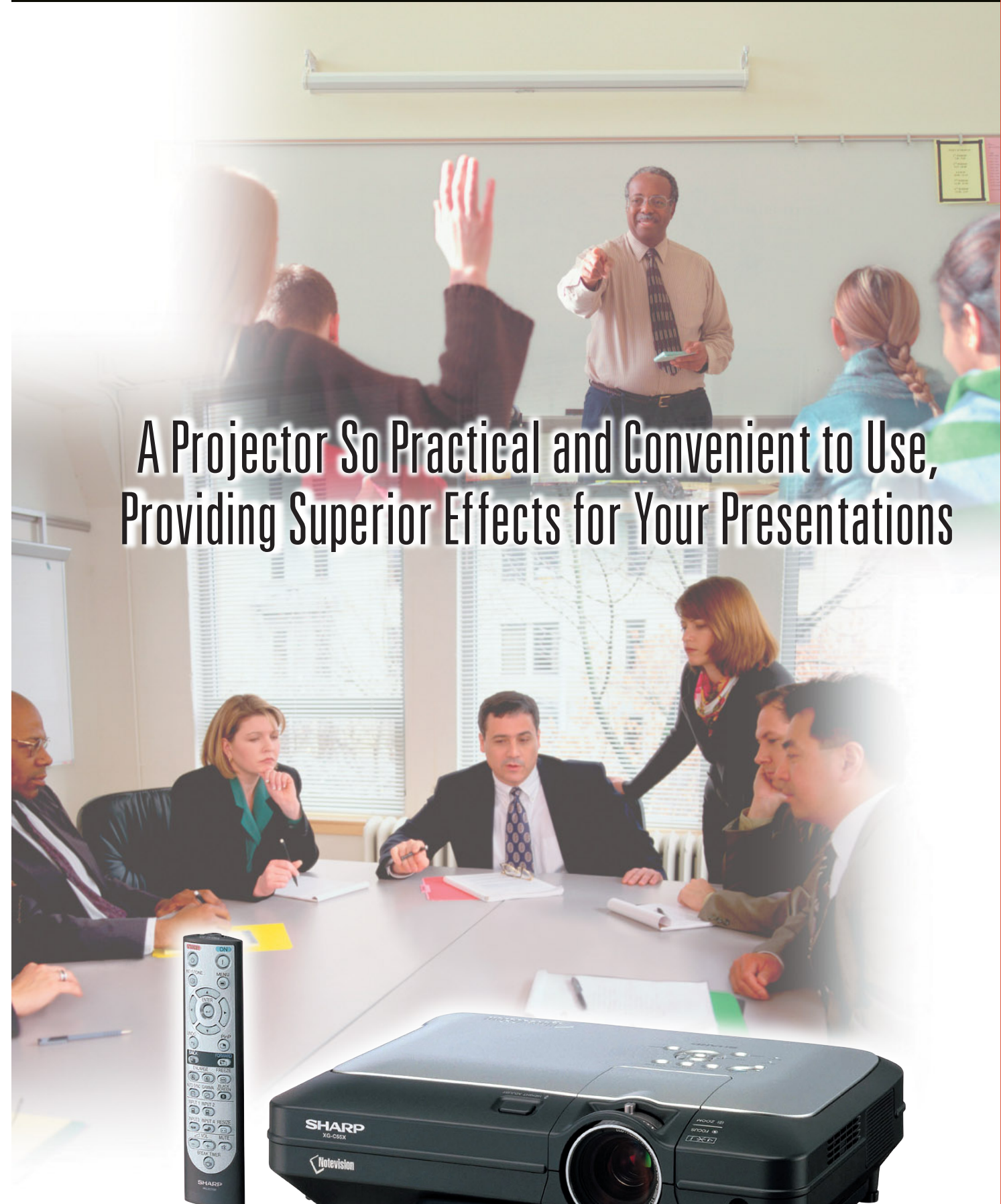
SHARP CORPORATION OSAKA, JAPAN
 URL: <http://www.sharp-world.com/>

1N0083N © SHARP CORP. (JUL. 2003 PRINTED) I1E Printed in Japan

SHARP

XG-C55X

TRUE XGA PORTABLE LCD PROJECTOR



A Projector So Practical and Convenient to Use,
 Providing Superior Effects for Your Presentations

Notevision