
**Handles Optional Lenses Too**

Besides the standard lens, the WL2650U is also engineered to use various optional lenses. Choose the lens that best fits your installation parameters.



OL-XL2550MZ



PORTABLE WXGA PROJECTOR

# WL2650U

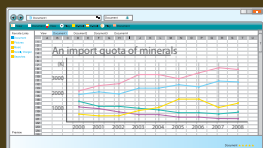
Exceptional presentations every time.

The newly evolved WXGA Projector.

**Native Wide Screen Resolution**

Supporting the shift toward wider PC screens, the WL2650U boasts a WXGA (1280 x 800 pixel) resolution - 1.3 times the display area of conventional XGA projectors.

Depending on the application, users can screen two windows at once, such as a menu and preview domain, without the need for left-right scrolling. Widescreen DVD video can also be played in native resolution, free of compression.



Display different windows side by side, banishing the need for left-right scrolling.



Wide-screen broadcasts in all their natural glory.

**Quiet Fan Noise**

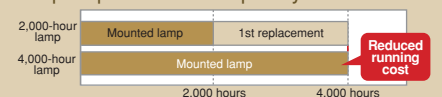
With a barely perceptible fan noise of just 29dBA ("lamp Low" mode), you can be assured of distraction free presentations.

**Noise Level Examples**

Quiet house late at night	Whispering voices	Daytime residential district
29dBA	30 - 40dBA	40dBA and above

**Long Life Lamp ~ Maximum 4,000 hours**

Supported by our optimum design for light source lamp temperature control, maximum light source lamp use soars to 4,000 hours.\* This makes for dramatic reductions in running costs, as the frequency of lamp replacements is significantly reduced.\*2

**Lamp Replacement Frequency\*2**


(\*1): When used at the low lamp mode. Maximum lamp life at standard mode use is 2,000 hours. (\*2): Lamp life refers to the average time required for brightness to be reduced by half, and not the time specified in the warranty. Use time may vary widely by the environment and conditions, and whether or not cleaning and other maintenance procedures are followed.

**Lamp Side Replacement**

The lamp may be removed from the side of the projector unit. This simplifies replacement when the projector is suspended from a ceiling mount or resting on a shelf, as it doesn't need to be removed from its position.


**Security Anchor**

A robust key-lock chain may be passed through the projector hook. This reliable anti-theft measure helps prevent unauthorised removal of the projector unit from the premises.



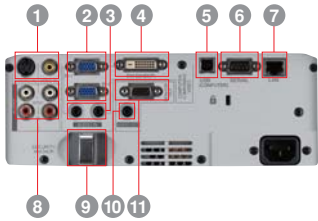
Note: Mitsubishi Electric cannot accept responsibility for thefts occurring despite use of this safety feature.



## PORTABLE WXGA PROJECTOR WL2650U

### Input and Output Terminals

Enhanced terminal group realizes a versatile range of presentations.



- 1 S-Video / Video input
- 2 PC / Component Video input (mini D-sub 15pin)
- 3 PC / Audio input
- 4 DVI-D (with HDCP) input
- 5 USB terminal for mouse control
- 6 Serial RS-232C (D-sub 9pin)
- 7 LAN (RJ-45)
- 8 Video / Audio input
- 9 Security Anchor
- 10 Audio output
- 11 Monitor output

### Options

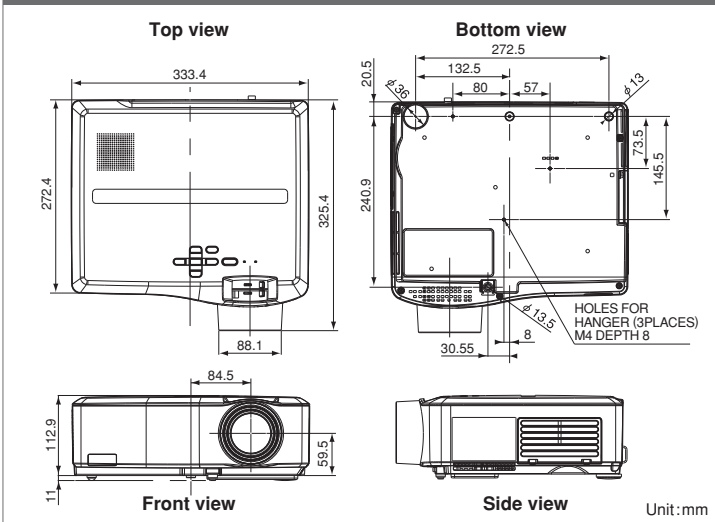
Replacement lamp  
VLT-XL650LP



### Option Lens Line-up

Model	Short Throw Zoom Lens OL-XL2550MZ	Long Throw Zoom Lens OL-XL2550LZ	Tele Throw Zoom Lens OL-XL2550TZ
Zoom / Focus	Manual (1.3x)	Manual (1.5x)	Manual (1.5x)
Projection Lens	f=29-37mm F1.7-2.0	f=32-48mm F2.2-2.8	f=48-74mm F2.2-2.7

### Dimensions



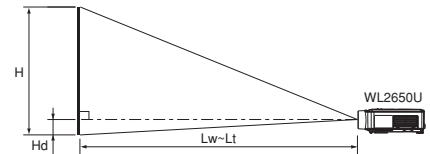
### Specifications

Model	WL2650U
Display technology	0.75" 3-LCD (with Micro Lens)
Resolution	1280x800 (total 1,024,000 pixels)
Brightness (Maximum)	3500lm
Contrast	600 : 1 (on/off)
Projection lens	f=24-29mm, F1.7-1.9
Throw ratio	1.47-1.77
Offset axis	40up : 1down (No variable lens shift)
Picture Size	40"~300" (100"=3.2~3.8m)
Source lamp**	220W (Shut Off Time 4000Hrs) with Low Mode 261W (Shut Off Time 2000Hrs) with Standard Mode
Computer compatibility	640x480 ~ 1920x1080 True: 1280x800, Sync on green available
Video compatibility	NTSC/NTSC4.43/PAL(including PAL-M, N)/SECAM/PAL-60, Component Video: 480i/p(525i/p), 576i/p(625i/p), 720p(750p 50/60Hz), 1080i(1125i 50/60Hz), 1080p(1125p 50/60Hz), SCART(RGB+1V sync)
Digital keystone	Vertical: MAX +/- 35 deg, Horizontal: MAX +/- 25 deg
PC input terminals	PC: Mini D-sub 15pinx2, DVI-D(with HDCP)x1, Audio: Stereo mini(φ3.5)x2
Video input terminals	Video: RCAx1, S-VIDEOx1, Audio: RCA(L,R)x2
Output terminals	Monitor Out: Mini D-sub 15pinx1, Audio: Stereo Mini(φ3.5)x1
Communication terminals	LAN(RJ-45)x1(for projector control), RS-232C(D-Sub 9pin)x1, USB terminalx1(for mouse control)
Audio speaker	3W mono
Dimension(WXHXD)	333x113x272mm / 13.0x4.5x10.7inch (excluding height adjustment)
Weight	4.7kg / 10.4lbs
Power supply	AC100 - 240V, 50/60Hz
Optional lamp	VLT-XL650LP

\* BrightEra and **BrightEra** are trademarks of Sony corporation.  
\*All brand names and product names are trademarks, registered trademarks or trade names of their respective holders.  
\*\*Compliance with ISO21118-2005. \*\*Approximate figure representing average operational life cycle.

### Screen size and Projection distance

As seen from the side



### Nominal Lens / Screen size chart (WXGA)

Screen		Distance from screen (L)				Height projected image (Hd)	
Diagonal size	Width (W)	Height (H)	Maximum Zoom	Minimum Zoom	Maximum Zoom	Minimum Zoom	Maximum Zoom
inch	cm	inch	cm	inch	cm	inch	cm
40	102	34	86	21	54	49	1.2
60	152	51	129	32	81	74	1.9
80	203	68	172	42	108	100	2.5
100	254	85	215	53	135	125	3.2
150	381	127	323	79	202	189	4.8
200	508	170	431	106	269	252	6.4
250	635	212	538	132	337	315	8.0
300	762	254	646	159	404	379	9.6

### Option Lens / Screen size chart (WXGA)

Screen			OL-XL2550MZ			OL-XL2550LZ			OL-XL2550TZ		
Diagonal size	Width (W)	Height (H)	Distance from screen (L)		Height projected image (Hd)	Distance from screen (L)		Height projected image (Hd)	Distance from screen (L)		Height projected image (Hd)
			Maximum Zoom	Minimum Zoom	Maximum Zoom	Minimum Zoom	Maximum Zoom	Minimum Zoom			
inch	cm	inch	cm	inch	m	inch	m	inch	cm	inch	m
40	102	34	86	21	54	58	1.5	75	1.9	0.5	1
60	152	51	129	32	81	89	2.3	114	2.9	0.8	2
80	203	68	172	42	108	119	3.0	152	3.9	1.1	3
100	254	85	215	53	135	149	3.8	191	4.9	1.3	3
150	381	127	323	79	202	224	5.7	287	7.3	2.0	5
200	508	170	431	106	269	300	7.8	384	9.8	2.6	7
250	635	212	538	132	337	375	9.5	453	11.5	3.3	8
300	762	254	646	159	404	453	11.5	540	13.9	3.9	10

The above numbers are approximate, and may be slightly different from the actual measurements.

**MITSUBISHI ELECTRIC AUSTRALIA**

348 Victoria Rd Rydalmere, NSW 2116 Phone: (02) 9684 7777 Fax: (02) 9684 7208

To find out more about the WL2650U and other projectors, visit us at

[www.MitsubishiElectric.com.au](http://www.MitsubishiElectric.com.au)