



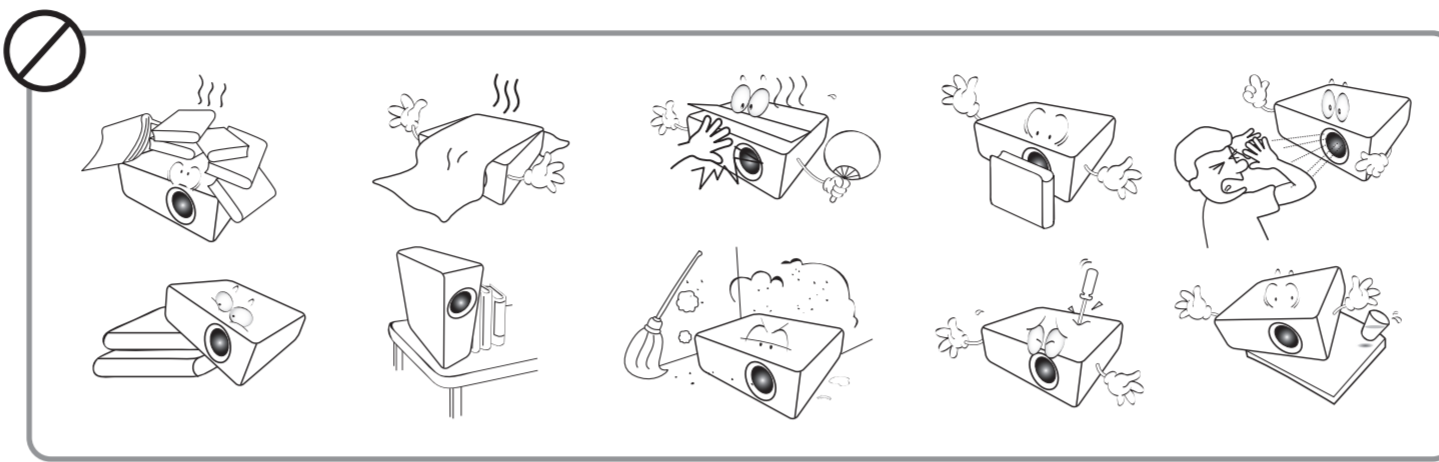
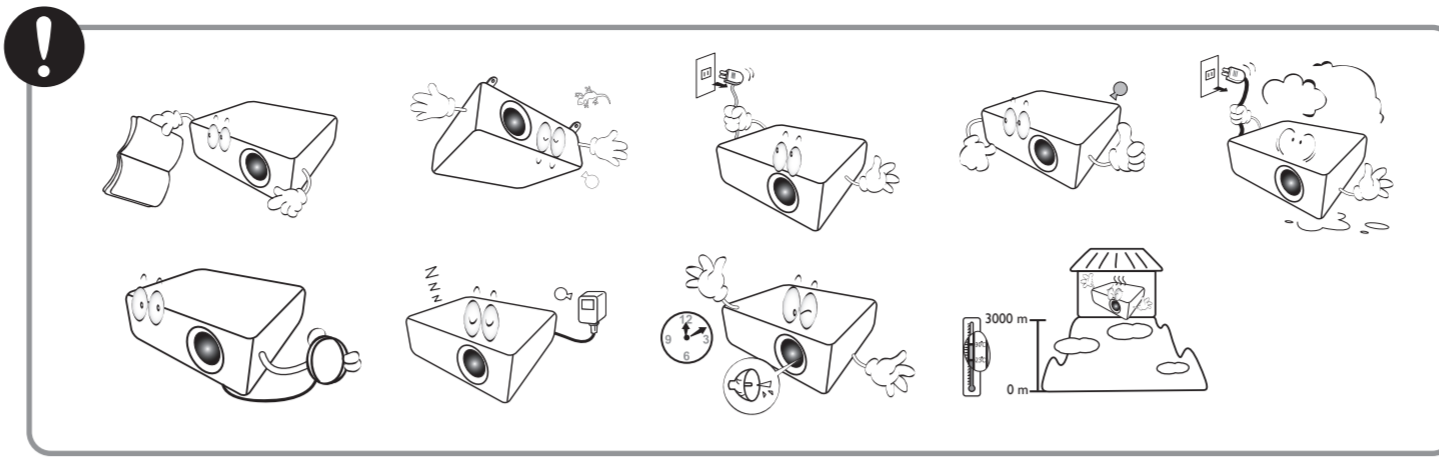
TH530 Digital Projector Quick Start Guide



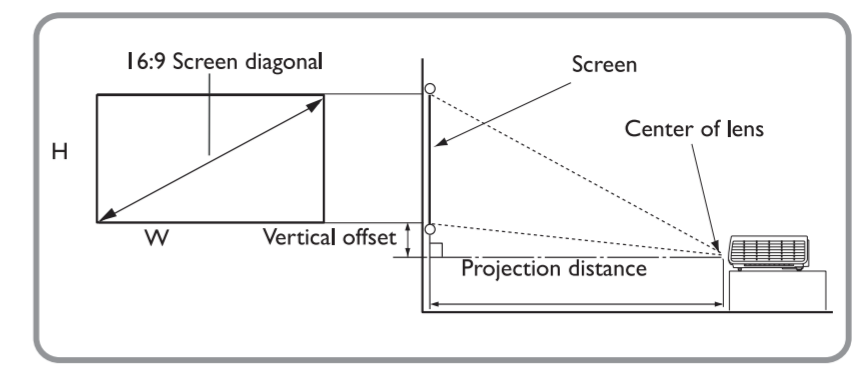
HDMI
BenQ.com
© 2016 BenQ Corporation.
All rights reserved. Rights of modification reserved.
38A01.011
P/N:4JFH02.001

Quick Start Guide
Guide de démarrage rapide
Kurzanleitung
Guida rapida
Guía de inicio rápido
Guia de iniciação rápida
Snabbstartsguide
Краткое руководство
Snelgids

Skrócona instrukcja obsługi
Hızlı başlangıç kılavuzu
Průvodce rychlým používáním
คู่มือเริ่มต้นใช้งานอย่างรวดเร็ว
快速使用指南
快速使用指南
クイックスタートガイド
빠른 시작 안내서
دليل البدء السريع



Projection dimensions

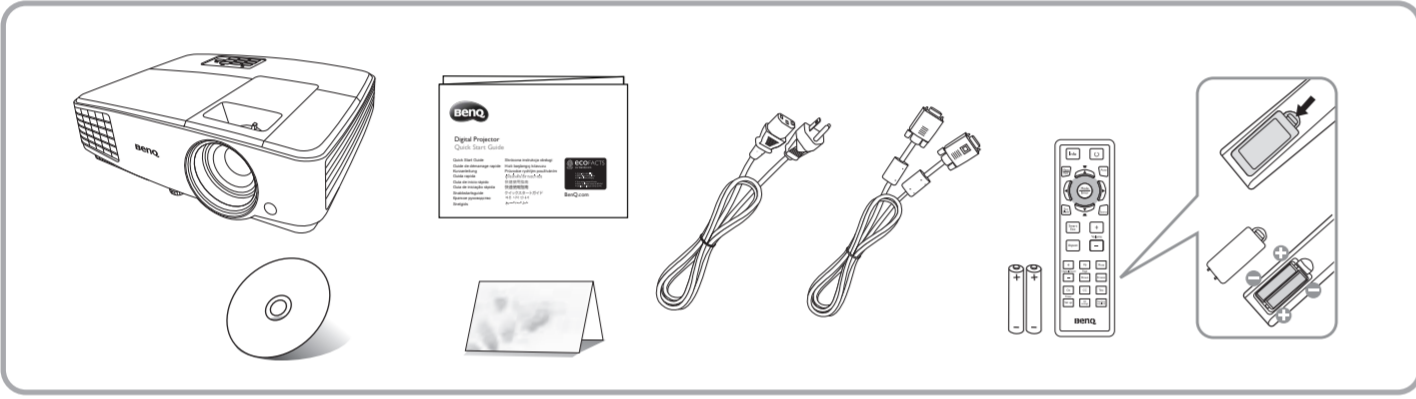


The screen aspect ratio is 16:9 and the projected picture is in a 16:9 aspect ratio

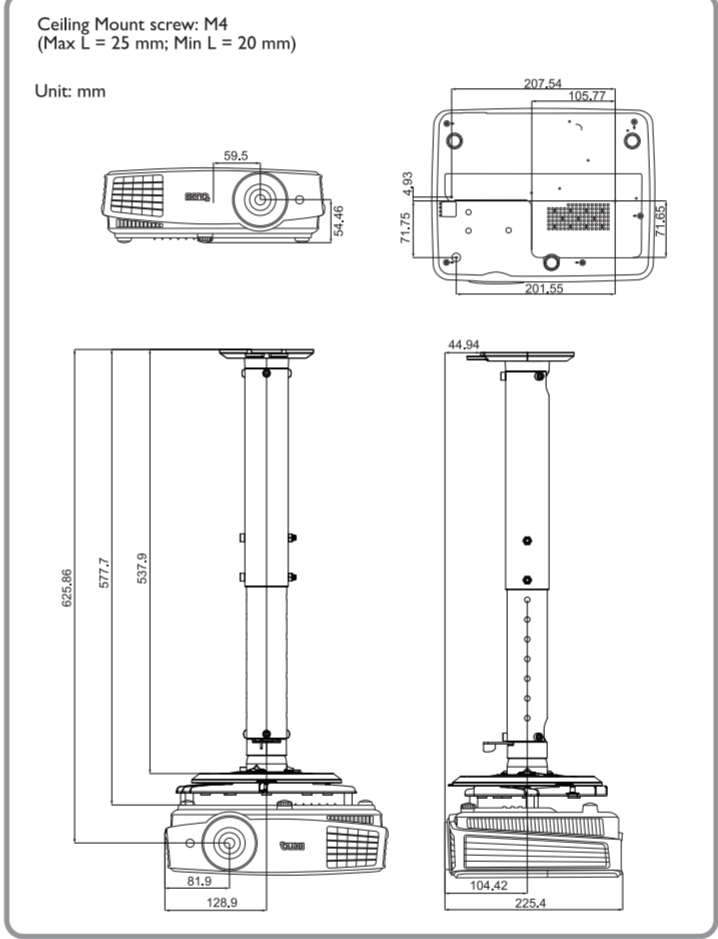
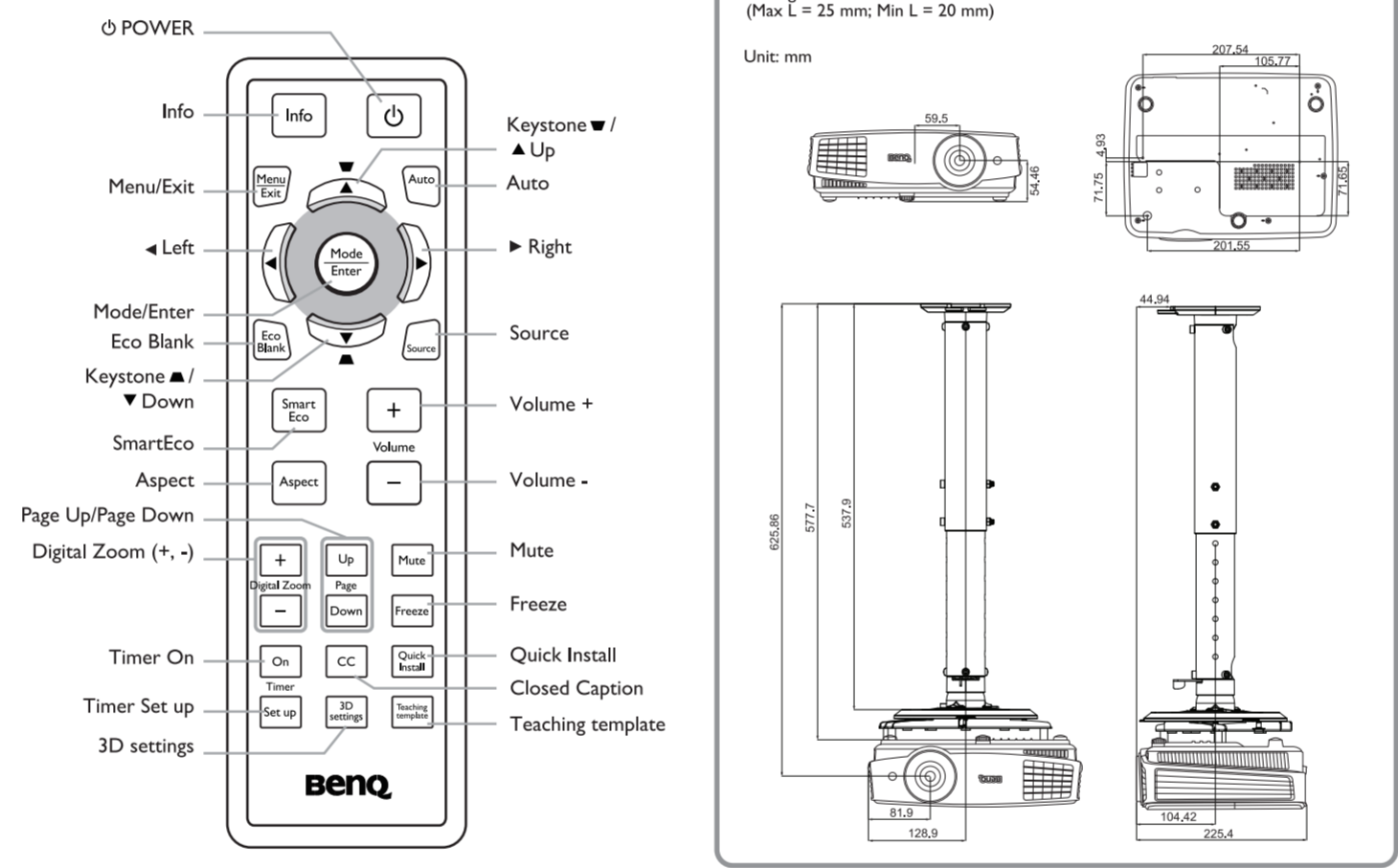
Screen size				Projection distance (mm)		
Inch	mm	W (mm)	H (mm)	Min distance	Average	Max distance
				(max. zoom)		(min. zoom)
40	1016	886	498	1302	1368	1435
50	1270	1107	623	1627	1710	1793
60	1524	1328	747	1953	2052	2152
70	1778	1550	872	2278	2394	2510
80	2032	1771	996	2603	2736	2869
90	2286	1992	1121	2929	3078	3228
100	2540	2214	1245	3254	3420	3586
110	2794	2435	1370	3580	3762	3945
120	3048	2657	1494	3905	4104	4304
130	3302	2878	1619	4231	4446	4662
140	3556	3099	1743	4556	4788	5021
150	3810	3321	1868	4881	5130	5380
160	4064	3542	1992	5207	5473	5738
170	4318	3763	2117	5532	5815	6097
180	4572	3985	2241	5858	6157	6455
190	4826	4206	2366	6183	6499	6814
200	5080	4428	2491	6509	6841	7173
250	6350	5535	3113	8136	8551	8966
300	7620	6641	3736	9763	10261	10759

All measurements are approximate and may vary from the actual sizes. BenQ recommends that if you intend to permanently install the projector, you should physically test the projection size and distance using the actual projector insitu before you permanently install it, so as to make allowance for this projector's optical characteristics. This will help you determine the exact mounting position so that it best suits your installation location.

Accessories



Remote control



English	Specifications
All specifications are subject to change without notice.	
Optical	Control
Resolution 1920 x 1080 FHD	RS-232 serial control 9 pin x 1
Display system 1-CHIP DMD	IR receiver x 1
Lens F/Number F = 2.35 ~ 2.86; T = 22 ~ 24; 11mm	Input terminals
Clear focus range 1.98-5.94 m @ Wide, 2.18-6.53 m @ Tele	Computer input RGB input D-Sub 15-pin (female) x 2
Lamp 190 W lamp	Video signal input S-VIDEO Mini DIN 4-pin port x 1 VIDEO RCA jack x 1 SD/HDTV signal input Analog - Component RCA jack x 3 (through RGB input) Digital - HDMI x 1
Electrical	Audio signal input Audio in PC audio jack x 1 USB port (Mini-B x 1)
Power supply AC100-240V, 2.7 A, 50-60 Hz (Automatic)	Environmental Requirements
Power consumption 280 W (Max); < 0.5 W (Standby)	Operating temperature 0°C-40°C at sea level Operating relative humidity 10%-90% (without condensation) Operating altitude 0-1499 m at 0°C-35°C 1500-3000 m at 0°C-30°C (with High Altitude Mode on)
Mechanical	
Weight 1.96 Kg (4.32 lbs)	
Output terminals	
RGB output D-Sub 15-pin (female) x 1	
Speaker (Stereo) 2 watt x 1	
Audio signal output PC audio jack x 1	

