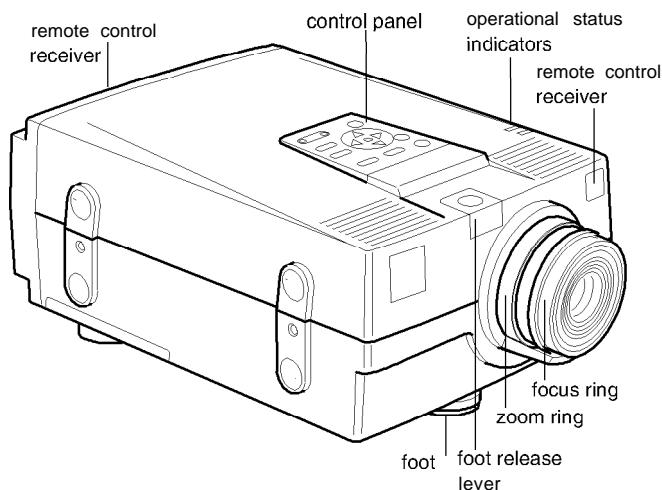


## EPSON PowerLite 7000 Multimedia Projector




---

## Projector Specifications

---

### General

Type of display	Liquid crystal panel, Thin Film Transistor (TFT)
Size of liquid crystal panels	1.32 inches (33.6 mm)
Resolution	1024 (horizontal) × 768 (vertical) pixels
Image size	21 to 300 inches (0.6 to 7 meters)
Projection distance	3.3 to 33 feet (1 to 10 meters)
Projection method	Front, rear, and upside-down projection
Remote control range	33 feet (10 meters)
Internal speaker system	2 × 2 W stereo
Optical aspect ratio	4 × 3 (horizontal × vertical)
Zoom ratio	1:1.3
<b>Projector lamp</b>	
Type	Metal Halide, DC
Power	150 W
Part number	ELPLP03
Lumens	400
<b>Mechanical</b>	
Height	6.3 inches (159 mm) including foot adjuster
Width	9.7 inches (245 mm)

Depth	15.0 inches (380 mm) with lens
Weight	14.55 lb (6.6 kg)
<b>Electrical</b>	
Voltage	100 to 120 VAC and 200 to 240 VAC
Rated frequency	50/60 Hz
Power supply	100 to 120 VAC, 2.9 A, 50/60 Hz (on the projector) 200 to 240 VAC, 1.8 A, 50/60 Hz
Power consumption	260 W
<b>Environmental</b>	
Temperature	Operation: 41 to 104° F (5 to 40° C), non-condensing Storage: 14 to 140° F (-10 to 60° C), non-condensing
Humidity	Operation: 20 to 80% RH, non-condensing Storage: 10 to 90% RH, non-condensing

### Supported monitor displays

The projector displays images at a resolution of 1024 × 768 pixels. To display a higher resolution image, the projector compresses it to 1024 × 768. The following table lists the display formats supported by the projector:

Computer type	Formats	Resolutions
IBM PC and IBM PC compatible	VGA, SVGA, VESA, EGA, XGA	640 × 480
		640 × 200
		640 × 400
		800 × 600
		1024 × 768
		1152 × 864*
		1280 × 1024*
Apple Macintosh	Standard 8- and 24-bit color monitor	640 × 480
		832 × 624
		1024 × 768
		1017 × 768
		1152 × 864*
NEC	PC	640 × 480
		1120 × 750*

**Note: The frequencies of some computers may not allow the image to be displayed correctly.**

**Note: This projector is compatible with DDC-capable graphic sub-systems and boards only.**

\* **The projector uses a patent-pending technology to resize the image to 1024 × 768.**



## Projector Placement Guidelines

The distance between the projector and the screen determines the actual image size. Use the general guidelines in the table below to determine the proper distance.

Image size (diagonal)	Horizontal distance from the projector screen	
	Minimum	Maximum
300 inches	393.7 inches (10 m)	
200 inches	263.8 inches (6.7 m)	342.5 inches (8.7 m)
100 inches	129.9 inches (3.3 m)	169.3 inches (4.3 m)
80 inches	106.3 inches (2.7 m)	137.8 inches (3.5 m)
60 inches	78.7 inches (2 m)	102.4 inches (2.6 m)
40 inches	51.2 inches (1.3 m)	66.9 inches (1.7 m)
30 inches	39.4 inches (1 m)	51.2 inches (1.3 m)
21 inches	39.4 inches (1 m)	

## Projector Status Indicators

The power and lamp indicators at the top of the projector let you know the projector's operating status, as described below.

Status indicator	Function
Power indicator	
Steady orange:	Sleep mode. (The projector is plugged in, but not projecting.)
Steady green:	Power and lamp are on.
Flashing orange:	The projector is hot.
Steady red	The projector is too hot and has turned off.
Flashing red	There is an internal projector problem.
Projection lamp indicator	
Steady green	Projection lamp is on.
Flashing green	The projector is warming up.
Orange and red flashing alternately	Projection lamp needs replacing.
Flashing orange	Projector lamp is cooling down.
Steady red	Projector lamp has burned out. Replace it to project images.
Flashing red	Problem with projection lamp or lamp power supply.

**Note: If you press the Power button to turn the projector back on while the power indicator is flashing orange, there may be a delay before the projected image appears.**

## Monitor and Computer In 1/12 Connector Pin Assignments

The Monitor and Computer In 1/2 connectors are female video RGB, 15-pin micro-D-style connectors. The pin assignments are:

Input pin	Monitor connector signals	Computer In 1/2 connector signals
1	Red out / red video	Red video
2	Green out / green video	Green video
3	Blue out / blue video	Blue video
4	Reserved	Monitor (ID bit 2)
5	GND	GND
6	GND	Red video GND
7	GND	Green video GND
8	GND	Blue video GND
9	Reserved	+5 V
10	GND	Synchronous GND
11	Reserved	Monitor (ID bit 0)
12	Reserved	SDA
13	Horizontal sync	Horizontal sync
14	Vertical sync	Vertical sync
15	Vertical sync	Reserved

## Information Reference List

### Engineering Change Notices

None.

### Technical Information Bulletins

None.

### Product Support Bulletins

None.

### Related Documentation

CPD 4987	EPSON PowerLite-7000 Multimedia Projector User's Guide
SM-ELP7000	EPSON PowerLite-7000 Multimedia Projector Service Manual
PL-ELP7000	EPSON PowerLite-7000 Multimedia Projector Parts Price List