

DIGITAL PROJECTOR

MS616ST



Features

- Native SVGA Resolution (800 x 600)
- 2500 ANSI Lumens; 13,000:1 Contrast Ratio
- SmartEco™ Power Saving Technology
- 3D-Ready & Nvidia 3D Vision, HDMI x 1
- Short Throw Lens, USB Reader/Display, 10W Speaker



Input and Output Terminals



- | | |
|------------------------|-----------------------|
| 1 RS-232 x 1 | 6 S-Video / Video x 1 |
| 2 USB Type A & Mini B | 7 Audio R/L x 1 |
| 3 HDMI x 1 | 8 Audio In & Out |
| 4 RGB Output x 1 | 9 Kensington Lock |
| 5 RGB In/Component x 1 | |

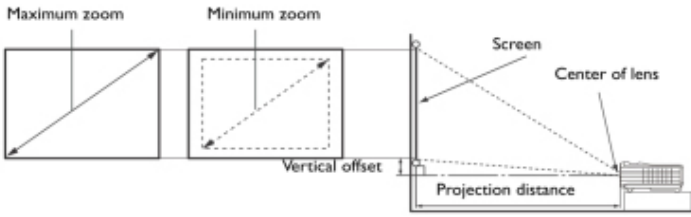
Specifications

Projection System	DLP
Native Resolution	SVGA(800 x 600)
Brightness	2500AL
Contrast Ratio	13000:1
Display Color	1.07 Billion Colors
Lens	F2.6-2.78, f=10.2-12.24 mm
Aspect Ratio	Native 4:3 (5 aspect ratio selectable)
Throw Ratio	0.9-1.08(54.5"@1m)
Image Size (Diagonal)	32"~300"
Zoom Ratio	1.2:1
Lamp Type	190W
Lamp Life (Norm/Eco/Smt Eco)	4500/6000/6500 hours
Keystone Adjustment	1D, Vertical +/- 40 degrees
Projection Offset	110% ±5%
Resolution Support	VGA(640 x 480) to UXGA(1600 x 1200)
Horizontal Frequency	31K~102KHz
Vertical Scan Rate	23~120Hz
Compatibility	HDTV Compatibility: 480i, 480p, 576i, 576p, 720p, 1080i, 1080p Video Compatibility: NTSC, PAL, SECAM 3D Compatibility: 1) PC: 120Hz Frame Sequential 3D for resolutions up to WXGA 2) PC: 60Hz Top-bottom 3D for resolutions up to SXGA+ 3) Video: 60Hz Frame Sequential 3D for resolutions up to 480i
Interface	Computer in (D-sub 15pin) x 1 (Share with component) Monitor out (D-sub 15pin) x 1 HDMI x 1 Composite Video in (RCA) x 1 S-Video in (Mini DIN 4pin) x 1 Audio in (Mini Jack) x 1 Audio L/R in (RCA) x 1 Audio out (Mini Jack) x 1 Speaker 10W x 1 USB (Type A) x 1 (USB Reader & Wireless Display) USB (Type mini B) x 1 (Download & page/down) RS232 (DB-9pin) x 1 IR Receiver x 2 (Front + Top)
Dimensions (WxHxD)	12.3" x 4.09" x 9.6" (312 x 104 x 244 mm)
Weight	6 lbs (2.75 kg)
Power Supply	AC100 to 240 V, 50 to 60 Hz
Power Consumption	275W(typical), Standby<0.5W
Audible Noise	32/28 dBA (Normal/Economic mode)
On-Screen Display Languages	Arabic/Bulgarian/ Croatian/ Czech/ Danish/ Dutch/ English/ Finnish/ French/ German/ Greek/ Hindi/ Hungarian/ Italian/ Indonesian/ Japanese/ Korean/ Norwegian/ Polish/ Portuguese/ Romanian/ Russian/ Simplified Chinese/Spanish/ Swedish/ Turkish/ Thai/ Traditional Chinese (28 Languages)
Picture Modes	Dynamic/Presentation/s RGB/Cinema/User 1/User 2
Accessories (Standard)	Remote Control w/ Battery, Power Cord (by region), User Manual CD, Quick Start Guide, Warranty Card (by region), VGA(D-sub 15pin) Cable
Accessories (Optional)	Spare Lamp Kit P/N: 5J.J6S05.001 Ceiling Mount P/N: 5J.J4N10.001 3D Glasses P/N: 5J.J7K25.001 Carry bag P/N: 5J.J3T09.001
Limited Warranty	1-Year Parts & Labor / 180 days or 500 hours of lamp life

*Lamp life results will vary depending on environmental conditions and usage. Actual product's features and specifications are subject to change without notice.

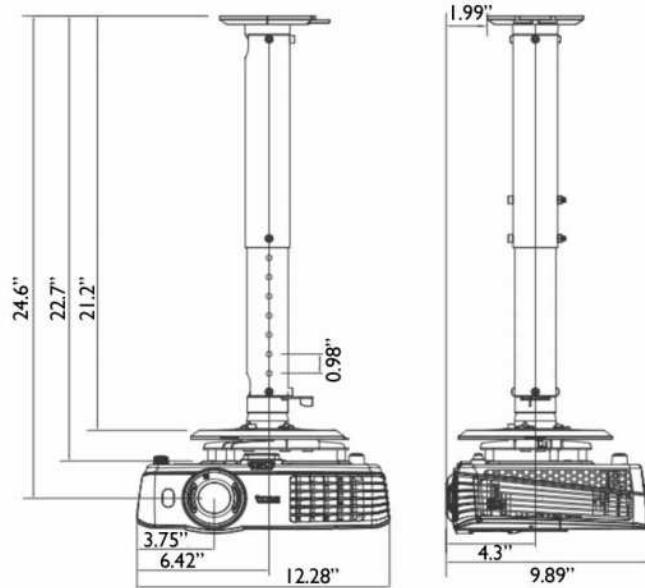
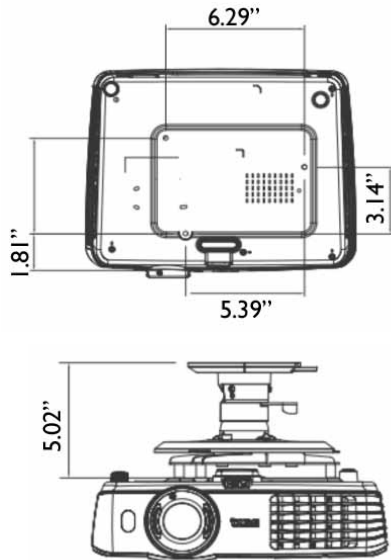
MS616ST Digital Projector

Distance Chart



Screen Size				Distance from screen (inch)			Vertical offset (inch)
Diagonal	W	H	Min length	Average	Min length		
Inch	mm	(inch)	(inch)	(Max zoom)		Max zoom	
40	1016	32	24	28.8	31.7	34.6	1.18
50	1270	40	30	36.1	39.7	43.3	1.49
60	1524	48	36	43.3	47.6	52	1.81
80	2032	64	48	57.8	63.5	69.3	2.4
100	2540	80	60	72.2	79.4	86.6	2.9
120	3048	96	72	86.6	95.3	104	3.5
150	3810	120	90	108.3	119.2	130	4.48
200	5080	160	120	144.4	158.9	173.3	5.98
220	5588	176	132	158.9	174.8	190.7	6.61
250	6350	200	150	180.5	198.6	216.7	7.51
300	7620	240	180	216.7	238.3	260	9.01

Ceiling Mount Chart



units: inch

Dimensions



units: inch

