

you can
Canon

PROJECTOR

LV-X4

The perfect projector for
daily classroom use.



OFFICIAL SUPPLIER



Combining excellent value and exceptional image quality.



Ensuring precise image projection that is easy on the eyes, the compact and affordable LV-X4 is especially suitable for heavy educational use. Easy projector placement, clear projection on blackboard surfaces and quiet, effortless operation make it ideal for classroom surroundings. Plus extensive image settings and advanced multimedia connectivity provide the versatility required for a wide range of applications.



Original image



Bright and clear projected image

HIGH IMAGE RESOLUTION THAT'S EASY ON THE EYES

Combining true XGA projection with the requisite brightness of 1,500 lumens (as recommended by BECTA), the LV-X4 ensures exceptional image quality while reducing any risk of eye strain. The result is a projector that perfectly suits the needs of constant classroom use, whether in daylight or dimmer viewing conditions. A contrast ratio of 400:1 enhances colour clarity, making images more vibrant. Plus Canon's unrivalled experience in optical and lens technology guarantees low image distortion as well as high colour fidelity.

ULTRA COMPACT, QUIET AND EASY TO CONTROL

This compact, portable projector weighs only 2.8 kg and has a small A4+ footprint. Operation is quiet, just 36db in quiet mode, so there is no distraction. Plus the LV-X4 is exceptionally easy to set up and use. A range of features can be selected automatically from the remote control, for push-button simplicity. You're always in charge, as a Key Lock function disables the keys on the projector's control panel or remote control. Plus there's a Laser pointer, on-screen pointer or spotlight function to draw attention to specific areas on the screen.





Original image



Blackboard Mode On



Blackboard Mode Off

CLEAR BLACKBOARD PROJECTION

Save yourself the time, effort and expense of setting up a screen in every classroom or lecture hall. The LV-X4 features a special Blackboard Mode, allowing you to project flawless images directly onto blackboard surfaces. This mode achieves an excellent colour balance, with white areas and text projected cleanly and clearly.



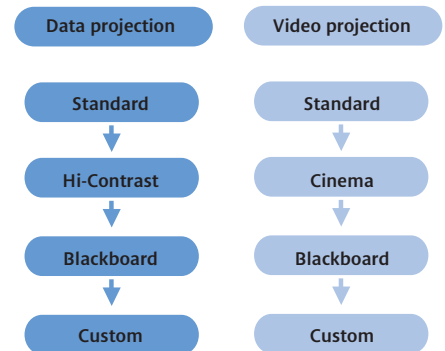
Interlaced scanning



Progressive scanning

FLEXIBLE IMAGE SETTINGS FOR ALL SURROUNDINGS

Enjoy exceptional flexibility for picture adjustment, with a choice of eight settings. Apart from blackboard mode, you can switch to Hi-Contrast Mode to make graphs and photos sharper. Cinema Mode is ideal for watching films in a darkened room. Whilst Custom Mode lets you fine-tune images that are too light or too dark. An Auto Image Mode is especially useful for video/DVD projection in darkened rooms, giving crisp, pure black tones. In addition Progressive Scanning provides high quality video projection, with smooth movement and reduced flickering of images.

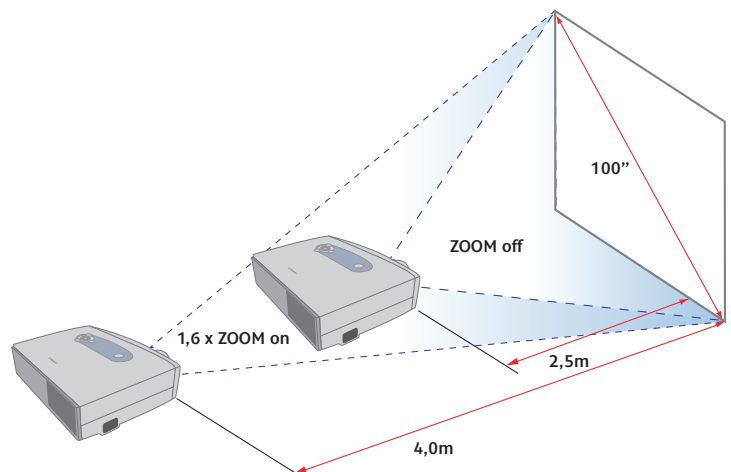


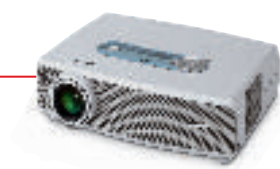
HIGHLY FLEXIBLE PROJECTOR PLACEMENT

Projecting in crowded classroom conditions can cause problems. That's where the LV-X4 makes all the difference. Canon's wide angle lens allows a large image to be projected even from a short distance. For added flexibility, a 1.6x zoom ratio offers an optimum image size from a remarkably wide range of throw distances. This includes perfect projection on a large 100-inch screen from just 2.5 meters right up to 4.0 metres. Also, Vertical Keystone Correction rectifies any image distortion if the projector is slightly tilted from the screen.

ADVANCED MULTIMEDIA CONNECTIVITY

Connect multimedia hardware to the LV-X4 with ease. The analogue RGB port can be used for input as well as output signals, allowing the projector to be hooked up to an external monitor such as a desktop PC screen. An optional SCART Connector, or optional Component Adapter, allows easy connection to a wide range of equipment from different manufacturers. This includes VCRs, DVD players, HDTV, digital camcorders and even game consoles.





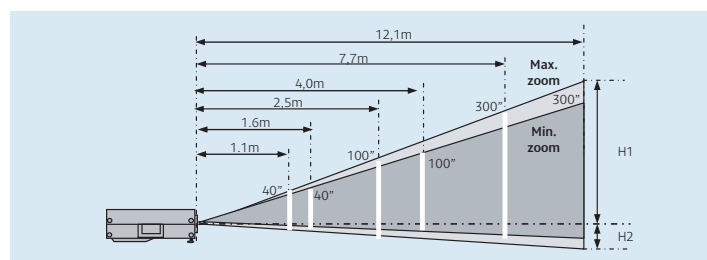
Specifications LV-X4

Projection Panel	Poly-silicon TFT		
Size and number	0.79" (4:3 aspect ratio), x 3		
Number of pixels	1024 x 768 (XGA)		
Contrast ratio	400:1		
Light source	200 W SHP lamp		
F number & focal length	F1.73 - 2.5, f = 20.3 to 32.5 mm		
Zoom magnification	1.6x		
Zooming and focusing	Manual		
Lens shifting	9:1		
Image elevation adjustment	Up to 11.9 degrees		
Brightness	1500 Lumens		
Uniformity	90%		
Projection distance coverage	1.0 to 7.7 m		
Screen size	40" to 300"		
Supported RGB input	SXGA (Comp.) / XGA / SVGA / VGA		
HDTV	1080i/1035i/720p compatible		
Electronic zoom magnification	x 0.5 - x16 (Area ratio)		
Keystone correction	Vertical: ±20°		
Horizontal resolution (video input)	550 TV lines		
Scanning frequency	Horizontal:	15 to 100 kHz	
	Vertical:	50 to 100 Hz	
	Dot clock:	130 MHz	
Colour systems	NTSC, PAL, SECAM, NTSC4.43, PAL-M and PAL-N s		
Others features	Progressive scanning (480i/575i) AMSS (Automatic Scanning System) 10bit Digital Gamma Correction Picture Image Select (Standard, High contrast/Cinema, Custom)		

Built-in speaker	4 cm x 3 cm, 1 W, Monaural		
Analog RGB Input / Output	Mini D-sub15-pin (Component input, SCART input with an optional cable)		
Digital Input	-		
Video Input	RCA x 1: composite, Mini DIN 4-pin x 1: S-Video		
Audio input	Stereo mini-jack x 1		
Audio output	Stereo mini-jack x 1		
Mouse control	Mini DIN 8-pin(serial), USB type B		
Dimensions	W: 300 mm, D: 238 mm, H: 94 mm		
Weight	2.8 kg		
Rated supply voltage	100 V, 100 to 120 V, 200 to 240 V, 50/60 Hz		
Power consumption	260W (Quiet Mode 230W)		
Fan noise	38dBA (Quiet Mode 36dBA)		
Ambient temperature range	5 to 35° C		
Storage temperature range	-10 to 60° C		
Warranty	3 years (90 days for Lamp)		
True Throwing Distance			
Screen size	40"	100"	300"
Zoom max	1.0m	2.5m	7.7m
Zoom min	1.6m	4.0m	12.1m

Some images are simulated for clarity of reproduction. All data is based on Canon's standard testing methods. Specifications are subject to change without notice. ™ and ©: All company and/or product names are trademarks and/or registered trademarks of their respective manufacturers in their markets and/or countries.

True throwing distances



Screen size	40"	100"	300"
Zoom max	1.0m	2.5m	7.7m
Zoom min	1.6m	4.0m	12.1m
Height, H1	54cm	135cm	405cm
Height, H2	6cm	15cm	45cm

Accessories

In-box					Optional			
Remote Controller	AC Power Cable	Mouse Control Cable	VGA Cable	Carry Case	SCART Cable LV-CA31	Component Cable LV-CA32	Replacement Lamp LV-LP21	Ceiling Attachment LV-CL08