

# *Data Projector*

---

Operating Instructions

**HDMI™**  
HIGH-DEFINITION MULTIMEDIA INTERFACE

**VPL-FH300L**

**VPL-FW300L**

# WARNING

**To reduce the risk of fire or electric shock, do not expose this apparatus to rain or moisture.**

**To avoid electrical shock, do not open the cabinet. Refer servicing to qualified personnel only.**

## **THIS APPARATUS MUST BE EARTHED.**

When installing the unit, incorporate a readily accessible disconnect device in the fixed wiring, or connect the power plug to an easily accessible socket-outlet near the unit. If a fault should occur during operation of the unit, operate the disconnect device to switch the power supply off, or disconnect the power plug.

### **THIS WARNING IS APPLICABLE FOR USA ONLY.**

If used in USA, use the UL LISTED power cord specified below.  
**DO NOT USE ANY OTHER POWER CORD.**

Plug Cap	Parallel blade with ground pin (NEMA 5-15P Configuration)
Cord	Type SJT, three <b>16 or 18 AWG wires</b>
Length	Minimum 1.5 m (4 ft .11in.), Less than 4.5 m (14 ft .9 in.)
Rating	Minimum <b>10 A, 125 V</b>

Using this unit at a voltage other than 120V may require the use of a different line cord or attachment plug, or both.

To reduce the risk of fire or electric shock, refer servicing to qualified service personnel.

### **THIS WARNING IS APPLICABLE FOR OTHER COUNTRIES.**

**1** Use the approved Power Cord (3-core mains lead) / Appliance Connector / Plug with earthing-contacts that conforms to the safety regulations of each country if applicable.

**2** Use the Power Cord (3-core mains lead) / Appliance Connector / Plug conforming to the proper ratings (Voltage, Ampere).

If you have questions on the use of the above Power Cord / Appliance Connector / Plug, please consult a qualified service personnel.

## **IMPORTANT**

The nameplate is located on the bottom.

### **For the customers in the USA**

This equipment has been tested and found to comply with the limits for a Class A digital device, pursuant to Part 15 of the FCC Rules. These limits are designed to provide reasonable protection against harmful interference when the equipment is operated in a commercial environment. This equipment generates, uses, and can radiate radio frequency energy and, if not installed and used in accordance with the instruction manual, may cause harmful interference to radio communications. Operation of this equipment in a residential area is likely to cause harmful interference in which case the user will be required to correct the interference at his own expense.

You are cautioned that any changes or modifications not expressly approved in this manual could void your authority to operate this equipment.

All interface cables used to connect peripherals must be shielded in order to comply with the limits for a digital device pursuant to Subpart B of Part 15 of FCC Rules.

This device complies with Part 15 of the FCC Rules. Operation is subject to the following two conditions: (1) this device may not cause harmful interference, and (2) this device must accept any interference received, including interference that may cause undesired operation.

**For the State of California, USA only**

Perchlorate Material - special handling may apply. See

[www.dtsc.ca.gov/hazardouswaste/  
perchlorate](http://www.dtsc.ca.gov/hazardouswaste/perchlorate)

Perchlorate Material: Lithium battery contains perchlorate.

**For the customers in Canada**

This Class A digital apparatus complies with Canadian ICES-003.

**For the customers in Europe,  
Australia and New Zealand****WARNING**

This is a Class A product. In a domestic environment, this product may cause radio interference in which case the user may be required to take adequate measures.

**For the customers in Europe**

The manufacturer of this product is Sony Corporation, 1-7-1 Konan, Minato-ku, Tokyo, Japan.

The Authorized Representative for EMC and product safety is Sony Deutschland GmbH, Hedelfinger Strasse 61, 70327 Stuttgart, Germany. For any service or guarantee matters please refer to the addresses given in separate service or guarantee documents.

This apparatus shall not be used in the residential area.

**For safety**

Be sure to attach the air filters to the unit.

**For the customers in Taiwan only**

廢電池請回收

---

# Table of Contents

Precautions .....	5
Notes on Installation and Usage .....	6
Unsuitable Installation .....	6
Usage in High Altitude .....	7
Unsuitable Conditions .....	7

---

## **Overview**

About the Supplied Manuals .....	9
Features .....	10
Location and Function of Controls ..	12
Main unit .....	12
<b>A</b> Control Panel .....	13
<b>B</b> Power/Indicator .....	14
<b>C</b> Connector Panel .....	15
Remote Commander .....	16

---

## **Projecting the Picture**

Installing the Projector .....	19
Connecting the Projector .....	21
Connecting a Computer .....	21
Connecting a VCR .....	24
Projecting .....	25
Turning Off the Power .....	27

---

## **Convenient Functions**

Selecting the Menu Language .....	28
Security Lock .....	29
Other Functions .....	31
Direct Power On/Off Function ...	31
Effective Tools for Your Presentation .....	31
Controlling the Computer Using a Presentation Tool, RM-PJK1 (not supplied) (When Using the	

Network Presentation Function) .....	31
---	----

---

## **Adjustments and Settings Using a Menu**

Using a MENU .....	32
The Picture Menu .....	34
The Screen Menu .....	36
About the Preset Memory No. ....	37
The Setup Menu .....	38
The Function Menu .....	40
The Installation Menu .....	42
The Information Menu .....	44

---

## **Maintenance**

Replacing the Lamp (s) .....	46
Replacing the Air Filters .....	48

---

## **Others**

Troubleshooting .....	50
Messages List .....	53
Specifications .....	55
Dimensions .....	62
Index .....	66

---

# Precautions

## Warning

The Installation Manual contained in the CD-ROM is for dealers.

If customers perform the installation described in this manual, an accident may occur, causing serious injury. Never install it by yourself. For installation, be sure to consult with a Sony dealer.

---

## On safety

- Check that the operating voltage of your unit is identical with the voltage of your local power supply. If voltage adaptation is required, consult with qualified Sony personnel.
- Should any liquid or solid object fall into the cabinet, unplug the unit and have it checked by qualified Sony personnel before operating it further.
- Unplug the unit from the wall outlet if it is not to be used for several days.
- To disconnect the cord, pull it out by the plug. Never pull the cord itself.
- The wall outlet should be near the unit and easily accessible.
- The unit is not disconnected from the AC power source (mains) as long as it is connected to the wall outlet, even if the unit itself has been turned off.
- Do not look into the lens while the lamp is on.
- Do not place your hand or objects near the ventilation holes — the air coming out is hot.
- Be careful not to catch your fingers by the adjuster when you adjust the height of the unit. Do not push hard on the top of the unit with the adjuster out.
- Be sure to grasp both sides of the unit with both hands when carrying the unit.
- When you set the angle of projection to more than  $\pm 20^\circ$ , read the Installation Manual for Dealers thoroughly for safe installation.

---

## On illumination

- To obtain the best picture, the front of the screen should not be exposed to direct lighting or sunlight.
- Ceiling-mounted spot lighting is recommended. Use a cover over fluorescent lamps to avoid lowering the contrast ratio.
- Cover any windows that face the screen with opaque draperies.
- It is desirable to install the unit in a room where floor and walls are not of light-reflecting material. If the floor and walls are of reflecting material, it is recommended that the carpet and wall paper be changed to a dark color.

---

## On preventing internal heat build-up

The unit is equipped with ventilation holes (intake) at the bottom and ventilation holes (exhaust) at the rear. Do not block or place anything near these holes, or internal heat build-up may occur, causing picture degradation or damage to the unit.

---

## On cleaning

- To keep the cabinet looking new, periodically clean it with a soft cloth. Stubborn stains may be removed with a cloth lightly dampened with a mild detergent solution. Never use strong solvents, such as thinner, benzene, or abrasive cleansers, since these will damage the cabinet.
- Avoid touching the lens. To remove dust on the lens, use a soft dry cloth. Do not use a damp cloth, detergent solution, or thinner.
- Replace the both air filters whenever you replace the lamp.

---

## On repacking

Save the original shipping carton and packing material; they will come in handy if you ever have to ship your unit. For maximum protection, repack your unit as it was originally packed at the factory.

---

## On LCD projector

The LCD projector is manufactured using high-precision technology. You may, however, see tiny black points and/or bright points (red, blue, or green) that continuously appear on the LCD projector. This is a normal result of the manufacturing process and does not indicate a malfunction.

---

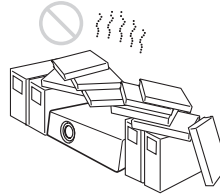
# Notes on Installation and Usage

## Unsuitable Installation

Do not install the unit in the following situations. **These installations may cause malfunction or damage** to the unit.

---

### Poorly ventilated



- Allow adequate air circulation to prevent internal heat build-up. Do not place the unit on surfaces (rugs, blankets, etc.) or near materials (curtains, draperies) that may block the ventilation holes.
- When the internal heat builds up due to the block-up, the temperature sensor will function with the message “High temp.! Lamp off in 1 min.” The power will be turned off automatically after one minute.
- Leave space of more than 30 cm (11 <sup>7</sup>/<sub>8</sub> inches) around the unit.
- Be careful that the ventilation holes may inhale tininess such as a piece of paper.

---

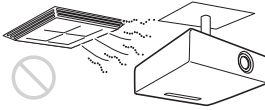
### Highly heated and humid



- Avoid installing the unit in a location where the temperature or humidity is very high, or temperature is very low.
- To avoid moisture condensation, do not install the unit in a location where the temperature may rise rapidly.

---

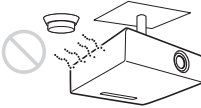
### Subject to direct cool or warm air from an air-conditioner



Installing in such a location may cause malfunction of the unit due to moisture condensation or rise in temperature.

---

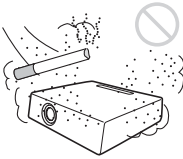
### Near a heat or smoke sensor



Malfunction of the sensor may be caused.

---

### Very dusty, extremely smoky



Avoid installing the unit in a very dusty or extremely smoky environment. Otherwise, the air filter will become obstructed, and this may cause a malfunction of the unit or damage it. Dust preventing the air passing through the filter may cause a rise in the internal temperature of the unit. If the message for replacing the air filter appears, replace both filters with new ones. Refer to “Replacing the Air Filters” on page 42 for how to replace.

---

### Usage in High Altitude

When using the unit at an altitude of 1,500 m or higher, set the “High Altitude Mode” to “On” in the Setup menu. Failing to set this mode when using the unit at high altitudes could have adverse effects, such as reducing the reliability of certain components.

### Note on the screen

When using a screen with an uneven surface, stripes pattern may rarely appear on the screen depending on the distance between the screen and the unit or the zooming magnifications. This is not a malfunction of the unit.

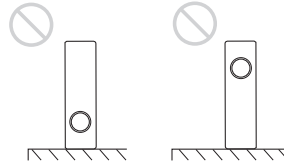
---

### Unsuitable Conditions

Do not use the unit under the following conditions.

---

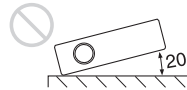
#### Do not topple the unit



Avoid using as the unit topples over on its side. It may cause malfunction.

---

#### Do not tilt right/left



Avoid using as the unit tilts more than 20 degrees. Do not install the unit other than on the floor or ceiling. These installations may cause malfunction.

---

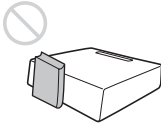
#### Do not block the ventilation holes



Avoid using something to cover over the ventilation holes (exhaust/intake); otherwise, the internal heat may build up.

---

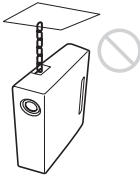
**Do not place a blocking object just in front of the lens**



Do not place any object just in front of the lens that may block the light during projection. Heat from the light may damage the object. Use the PIC MUTING key on the Remote Commander to cut off the picture.

---

**Do not use the Security bar for transporting or installation**



Use the Security bar at the side of the projector for a purpose of preventing theft, by attaching a commercially available theft prevention cable for example. If you lift the projector by holding the Security bar, or hang the projector by using this bar, it may cause the projector to fall or be damaged.



---

# About the Supplied Manuals

The following manuals and softwares are supplied with the projector.  
On Macintosh system, you can read only the Operating Instructions and Installation Manual for Dealers.

---

## Manuals

### **Safety Regulations (separately printed manual)**

This manual describes important notes and cautions to which you have to pay attention when handling and using this projector.

### **Quick Reference Manual (separately printed manual)**

This manual describes basic operations for projecting pictures after you have made the required connections.

### **Operating Instructions (on the CD-ROM) (this manual)**

This Operating Instructions describes the setup and operations of this projector.

### **Operating Instructions for Network (on the CD-ROM)**

This Operating Instructions describes how to set up and operate the network presentation.

### **Installation Manual for Dealers (on the CD-ROM)**

This manual describes the information for mounting the optional lenses on the projector and installing the projector.

#### **Note**

You must have Adobe Acrobat Reader 5.0 or higher is installed to read the Operating Instructions stored on the CD-ROM.

---

## Software (on the CD-ROM)

### **Projector Station for Air Shot Version 2 (Version 2.xx) (Japanese and English only)**

This is an application software for transmitting data from a computer to the projector.

The lens is not supplied to this projector. In this manual, the illustration of the product is loaded with the optional standard zoom lens VPLL-Z4019.

---

# Features

---

## High brightness · High picture performance

### High brightness

Sony's unique optical system with the new-generation LCD panel "BrightEra" incorporating a newly developed inorganic alignment allows a light output of 6000 lumen in VPL-FH300L and 7000 lumen in VPL-FW300L.

### High resolution

VPL-FH300L: Three 2K × 1K panels with 2,210,000 pixels provide a resolution of 2048 × 1080 (horizontal/vertical).

VPL-FW300L: Three WXGA panels with 1,090,000 pixels provide a resolution of 1366 × 800 (horizontal/vertical).

### High picture performance

DDE (Dynamic Detail Enhancer) technology enables conversion of interlace format video signals to progressive format, allowing you to obtain a detailed picture. The technology also reproduces film sources in 2-3 Pull-Down format with smooth picture movement. 12-bit 3D Digital Gamma Correction or 3D Digital Comb Filter for good picture uniformity is also provided.

---

## Two-lamp system

Two lamps are equipped. You can select a desired mode to use two lamps at the same time or to use one lamp only. When you want a brighter light or want to use for a long time, select the appropriate mode.

---

## Stylish round design

The stylish and functional round design recommends itself as befitting a stylish interior space.

---

## Convenient and flexible setup

### Power zoom/power focus and horizontal/vertical lens shift function

The projector is equipped with power zoom, power focus and horizontal/vertical lens shift function which allows you to change the size of the projected image with the Remote Commander operated away from the projector.

The lens is not supplied with this projector. No lens is supplied with this projector. You can select a lens suitable for the installation condition from among many option lenses.

\* Only the manual focus adjusting function is provided for the optional lens VPLL-4008.

### Center positioned lens

The projector is designed to locate the lens in the center of the projector. This enables easy setup, as the lens center aligns with the center of the screen.

### Cable management

The control/connector panel section is covered so that the cables will not be visible.

### Tilt installation (at front and rear)

You can install the projector by tilting it 90 degrees at the rear or 90 degrees in front. You can use a mirror for rear projection.

### Direct Power On/Off function

The AC power for the entire system can be turned on and off by means of a breaker or other switch.

### ID function

The function allows you to adjust or control each projector individually with one Remote Commander when you use two or more projectors (up to three) in one room.

### Simple maintenance

Even when the projector is mounted on the ceiling you can change the lamp, the air filters or the lens easily because the replacement lamp is located at the rear of the projector and the air filters are located at the side.

## System expandability and status check using a network

Connection to a LAN allows you to turn the projector on/off away from the installation location via a Web browser or to obtain projector status information such as the lamp timer.

Also, this projector enables the sending of mail that contains messages on the time for replacement of the projector lamp, error occurrences, etc., to mail addresses that have been specified. Also, this projector is available for SNMP or PJLink.

---

## Multi scan compatibility

### 5BNC and HDMI connectors

The projector has the HDMI (High-Definition Multimedia Interface) connector, a digital input connector, which allows you to connect to digital RGB equipment equipped with HDMI output. The 5BNC input connectors allow you to connect to equipment output high-resolution signals and to a computer from a long distance.

### Accepts various input signals

The projector accepts video signals of the composite, S video and component, and can also display VGA, SVGA, XGA, WXGA, SXGA, SXGA+, WSXGA+, UXGA, Full HD and 2K × 1K (24Hz) signals.

---

## Network presentation

Any image of a computer, if it is connected to a LAN by wired or wireless connection, can be projected by connecting a network cable to the NETWORK connector (RJ45) of the projector. For details, see the “Operating Instructions for Network”.

---

## Other Convenient Functions

- Security lock
- Panel key lock
- Easy-to-use Remote Commander that can select the input source directly
- On-screen menu in 16 languages
- Picture muting
- Freeze
- Lamp mode switching function
- Antitheft bar
- Equipped with Standby Mode “Low”

---

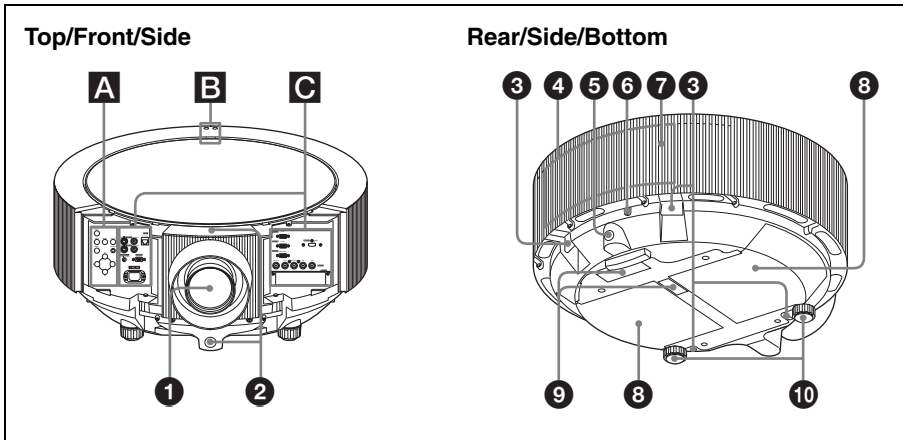
## About Trademarks

- Adobe Acrobat is a trademark of Adobe Systems Incorporated.
- Windows is a registered trademark of Microsoft Corporation in the United States and/or other countries.
- Kensington is a registered trademark of Kensington Technology Group.
- Macintosh is a registered trademark of Apple Computer, Inc.
- VESA is a registered trademark of the Video Electronics Standards Association.
- Display Data Channel is a trademark of the Video Electronics Standards Association.
- HDMI, HDMI logo and High-Definition Multimedia Interface are trademarks or registered trademarks of HDMI Licensing LLC.
- Air Shot is a trademark of Sony corporation.
- “BrightEra” is a trademark of Sony corporation.
- All other trademarks and registered trademarks are trademarks or registered trademarks of their respective holders. In this manual, <sup>TM</sup> and © marks are not specified.

# Location and Function of Controls

## Main unit

- The lens is not supplied with this projector. In the illustrations in this manual, the product is loaded with the optional standard zoom lens VPLL-Z4019.
- The covers on the left and right of the lens are removed in the illustration. Refer to “To remove the connector covers” on page 21 for how to remove the covers.



### 1 Lens

The lens is not supplied with this projector. Attach an optional lens to suit your conditions of use or purpose. Regarding the attachable optional lenses, consult with qualified Sony personnel.

#### Note

Be sure to remove the lens cap before projection. If not, heat may cause the cap to melt.

To mute the picture temporarily, press the MUTING PIC button on the Remote Commander.

### 2 Front remote control detector

### 3 Security bar (four)

An anti-theft chain or wire (commercially available) can be connected to it.

### 4 Ventilation holes (exhaust)

#### Notes

- Do not place anything near the ventilation holes as this may cause internal heat build-up.
- Do not place your hand near the ventilation holes as this may cause injury.

### 5 Rear remote control detector

### 6 Security lock

Connects to an optional security cable (from Kensington).

Web page address:

<http://www.kensington.com/>

### 7 Lamp cover

### 8 Air filter covers/Ventilation holes (intake)

Two filters are attached internally.

**Note**

If the message for replacing the air filter appears, replace, both air filters with new ones to maintain the optimal performance of the projector.

*For details, see “Replacing the Air Filters” on page 48.*

**9 Ventilation holes (intake)**

**10 Adjusters**

Turn the appropriate adjuster to the right or left for minor tilt adjustment of the projected picture.

**A Control Panel**

*For details, see “A Control Panel”.*

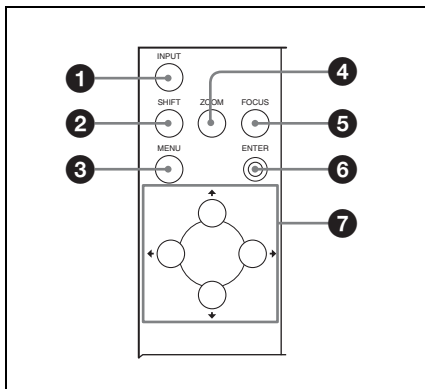
**B Power/Indicator**

*For details, see “B Power Indicator” on page 14.*

**C Connector Panel**

*For details, see “C Connector Panel” on page 15.*

**A Control Panel**



**1 INPUT key**

Select the input signal. Each time you press the key the input signal switches.

**2 SHIFT key**

Enters the H/V shift adjustment mode. Next, adjust the vertical/horizontal

position of the picture using the arrow keys. Press the  $\uparrow$  key to move the picture upward. Press the  $\downarrow$  key to move it downward. Press the  $\leftarrow$  key to move it leftward. Press the  $\rightarrow$  key to move it rightward.

**Note**

Do not perform the lens shift operation when the optional lens VPLL-4008 is attached to the projector because the projector is installed with the center of the lens aligned with the center of the screen.

**3 MENU key**

Displays the on-screen menu. Press again to clear the menu.

**4 ZOOM key**

Enters the zoom adjustment mode. Next, adjust the picture size using the arrow keys. Press the  $\uparrow$  or  $\rightarrow$  key to enlarge the picture size, and the  $\downarrow$  or  $\leftarrow$  key to reduce it.

**5 FOCUS key**

Enters the focus adjustment mode. Next, adjust the focus using the arrow keys. Press the  $\uparrow$  or  $\rightarrow$  key to focus on a picture further back, and the  $\downarrow$  or  $\leftarrow$  key to focus on a picture further forward.

*The ZOOM and FOCUS keys cannot be used when you attach the optional lens VPLL-4008 to the projector.*

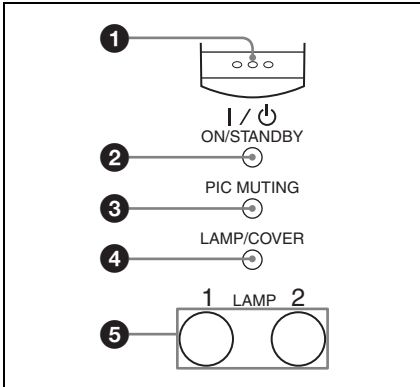
**6 ENTER key**

Used to enter the settings of items in the menu system.

**7  $\uparrow/\downarrow/\leftarrow/\rightarrow$  (Arrow) keys**

Used to select a menu, or make various adjustments.

## B Power/Indicator



### 1 I/O (On/Standby) key

Turns on the projector when it is in standby mode. When you push this key, the ON/STANDBY indicator flashes in green and then lights in green when the projector is ready to operate.

To turn off the power, press the I/O key twice according to the message or hold the I/O key for about one second.

### 2 ON/STANDBY indicator

Lights up or flashes under the following conditions:

- **Lights in red** when the AC power cord is plugged into a wall outlet. Once the projector is in standby mode, you can turn it on with the I/O key.
- **Flashes in red** when the internal temperature is high or the electrical system has failed.
- **Lights in green** when the projector is turned on, and when it is ready to operate.
- **Flashes in green** from the time when the projector is turned on until the projector is ready to operate. Also, flashes in green while the cooling fan is running after the power is turned off with the I/O key. The fan runs for about 90 seconds after the power is turned off.
- **Lights in orange** when the power saving mode is on.

For details, see the “Turning Off the Power” on page 27 and “Replacing the Lamp (s)” on page 46.

### 3 PIC MUTING (picture muting) indicator

Shows that the picture is muted by pressing the MUTING PIC button on the Remote Commander when this indicator is lighting in orange.

There are two muting modes in this projector. The image muting mode mutes the image signal, and the shutter muting mode cuts the projecting picture by the shutter inside the lens. The picture is muted by the mode selected in the “Picture Muting Mode” of the Setup menu.

For details, see the “PIC (Picture) Muting Mode” on page 38.

### 4 LAMP/COVER indicators

Flashes in orange under the following conditions:

- **A reception rate of 2 flashes** when the lamp cover or air filter cover is not secured firmly.
- **A reception rate of 3 flashes** when the lamp has reached the end of its life or reaches a high temperature.
- **A reception rate of 4 flashes** when the shutter does not work properly. Note that it does not flash when the shutter is open.

For details, see “Replacing the Lamp (s)” on page 46.

### 5 LAMP1, 2 indicators

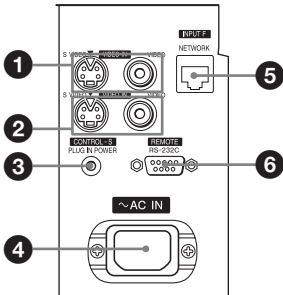
Shows the lamp which has not lit.

- **LAMP1 lights in orange** when LAMP1 has not lit.
- **LAMP2 lights in orange** when LAMP2 has not lit.
- **Both LAMP1 and 2 light on orange** when LAMP1 and LAMP2 have not lit.

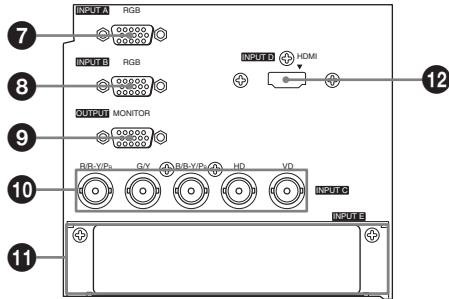
For details, see “The Installation Menu” on page 42.

## C Connector Panel

### On the left of the lens



### On the right of the lens



#### 1 VIDEO IN (Video input)

Connects to external video equipment.

##### S VIDEO (mini DIN 4-pin)

Connects to the S video output (Y/C video output) of video equipment.

##### VIDEO (BNC jack)

Connects to the composite video output of video equipment.

#### 2 VIDEO OUT (Video output)

##### S VIDEO (mini DIN 4-pin)

Used as loop-through output via the S VIDEO IN connector.

##### VIDEO (BNC jack)

Used as loop-through output via the VIDEO IN connector.

#### 3 CONTROL-S/PLUG IN POWER (DC 5V output) jack (stereo minijack)

Connects to the control S out jacks of Sony equipment. Connects to the CONTROL S OUT jack on the supplied Remote Commander when using it as a wired Remote Commander. In this case, when a stereo cable is used, you do not need to install batteries in the Remote Commander as the power is supplied from this jack.

#### 4 AC IN socket

Connects the supplied AC power cord. Be sure to attach the supplied AC connector cover.

#### 5 INPUT F NETWORK connector (RJ-45)

Connects to the LAN cable when the network function is in use.

#### CAUTION

For safety, do not connect the connector for peripheral device wiring that might have excessive voltage to this port. Follow the instructions for this port.

#### 6 REMOTE/RS-232C connector (D-sub 9-pin, female)

Connects to a computer to operate the projector from the computer.

#### 7/8 INPUT A/INPUT B Analog RGB connector (HD D-sub 15-pin, female)

Connects to external equipment such as a computer.

Connects to the monitor output of a computer using an optional cable.

## 9 OUTPUT

### MONITOR connector (HD D-sub 15-pin, female)

Connect to the video input connector of the monitor. Outputs signals from the selected channel and computer signals only from among the signals from the INPUT A, INPUT B or INPUT C. This connector does not output any signals from the INPUT D connector.

## 10 INPUT C

### Analog RGB/Component connectors (R/R-Y/P<sub>R</sub>, G/Y, B/B-Y/P<sub>B</sub>, HD, VD) (BNC type)

Connect to a high-resolution computer or VCR where signals are transmitted long distances, for example, when the projector has been hung from the ceiling.

Computer, component (R-Y/Y/B-Y), HDTV or DTV (DTV GBR, DTV YPBPr) signal can be selected.

## 11 INPUT E

Sony HD-SDI/SDI Input Adaptor can be attached to this connector. Regarding the attachable optional boards, consult the technical information center.

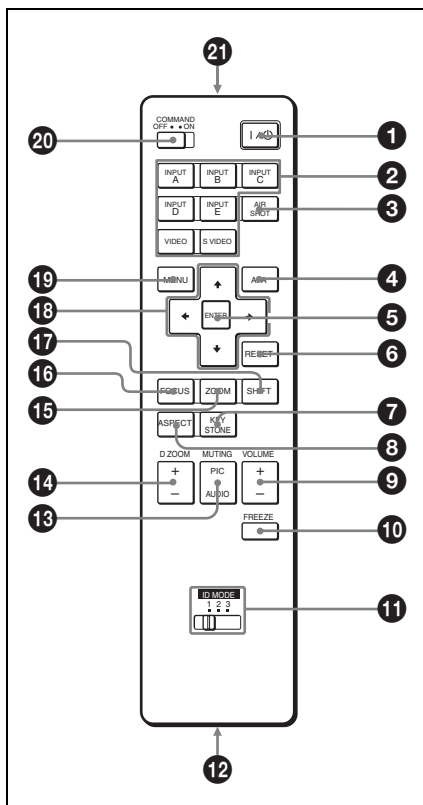
## 12 INPUT D

### Digital RGB/Component connector (HDMI) (accepts HDCP)

Connects to a video output connector on video equipment or a computer equipped with HDMI/DVI output connector (digital).

## Remote Commander

The keys that have the same names as those on the control panel function identically.



### 1 I/⏻ (On/Standby) key

### 2 INPUT A/B/C/D/E keys

Selects the input signal output from the connector of the same name as those of the Remote Commander.

### 3 AIR SHOT key

Displays the Network Presentation Home (INPUT F).

*For details, see Operating Instructions for Network (stored on the CD-ROM).*

### 4 APA (Auto Pixel Alignment) key

Automatically adjusts a picture to its clearest while a signal is input from a computer.



For details, see “APA” in “The Screen Menu” on page 37.

### 5 ENTER key

### 6 RESET key

Resets the value of an item to its factory preset value. This key functions when a setting item is displayed on the screen.

### 7 KEYSTONE (Vertical trapezoidal distortion correction) key

Adjusts the vertical trapezoidal distortion of the image manually. When you press this key, the V Keystone menu is displayed. Use the arrow keys (↑/↓/←/→) for adjustment.

### 8 ASPECT key

Select the aspect ratio of the picture. Each time you press this key the aspect ratio changes according to the input signals.

### 9 VOLUME +/- keys

This function is not provided in this projector.

### 10 FREEZE key

Freezes the projected picture. To cancel the frozen picture, press the key again.

### 11 ID MODE 1/2/3 keys

When you apply the same identification number as the projector to a Remote Commander you can easily adjust or control each projector with a Remote Commander whenever you use two or more projectors in one room.

For details, see “ID Mode” in the Installation menu on page 43.

### 12 CONTROL S OUT jack (stereo mini-jack)

Connects to the CONTROL S IN jack on the projector with the connecting cable (not supplied) when using the Remote Commander as a wired one. In this case you do not need to install the batteries since the power is supplied via the CONTROL S IN jack on the projector.

### 13 MUTING keys

- **PIC:** Cuts off the picture. Press again to restore the picture. When the MUTING key is in action, the PIC MUTING indicator on the top of the main unit lights. There are two muting modes in this projector. The image muting mode mutes the image signal, and the shutter muting mode cuts the projecting picture by the shutter inside the lens. The picture is muted by the mode selected in the “Picture Muting Mode” of the Setup menu.

For details, see “PIC (Picture) Muting Mode” on page 38.

- **AUDIO:** This function is not provided in this projector.

### 14 D ZOOM (Digital Zoom) +/- key

This function is not provided in this projector.

### 15 ZOOM +/- keys

Adjusts the picture size.

### 16 FOCUS +/- keys

Adjusts the picture focus.

### 17 SHIFT +/- keys

Adjusts the vertical/horizontal position of the picture.

### 18 ↑/↓/←/→ keys (Arrow)

Used to enter the settings of items in the menu or make adjustment for zoom, focus or shift.

### 19 MENU key

### 20 COMMAND ON/OFF switch

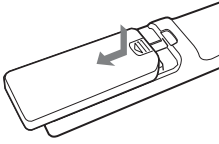
When this switch is set to OFF, the keys on the Remote Commander do not function. This saves battery power.

### 21 Infrared transmitter

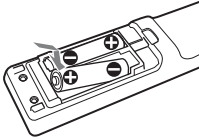
## To install batteries

- 1 Push and slide the lid to open it, then install the two size AA (R6) batteries (supplied) with the correct polarity.

While pressing the lid, slide it.



Be sure to install the battery from the ⊖ side.



## 2 Replace the lid.

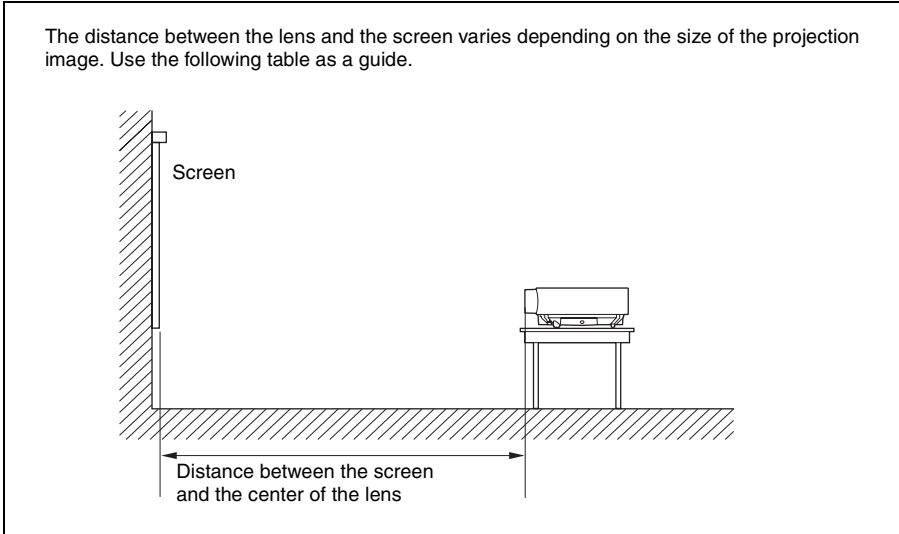
### Notes on Remote Commander operation

- Make sure that nothing obstructs the infrared beam between the Remote Commander and the remote control detector on the projector. Direct the Remote Commander toward the front or rear remote control detector.
- The operation range is limited. The shorter the distance between the Remote Commander and the projector is, the wider the angle within which the commander can control the projector becomes.

# Installing the Projector

The following table gives an example of installing the optional standard zoom lens VPLL-Z4019 is attached to the VPL-FH300L/FW300L.

For details on installation, ceiling installation or when you use an other optional lens, be sure to consult with qualified Sony personnel.



## VPL-FH300L

(When “Aspect” on the Screen menu is set to “Full 2” or “Full”)

Unit: m (feet)

Projected image size (diagonal) (inches)	40	60	80	100	120	150	200	300	400	500	600
<b>Minimum Distance</b>	1.7 (67)	2.6 (102 3/8)	3.5 (137 7/8)	4.3 (169 3/8)	5.2 (204 3/4)	6.6 (259 7/8)	8.8 (346 1/2)	13.3 (523 3/4)	17.8 (700 1/2)	22.2 (874 1/8)	26.7 (1051 3/8)
<b>Maximum Distance</b>	2.2 (86 5/8)	3.3 (130)	4.4 (173 1/4)	5.6 (220 1/2)	6.7 (264 7/8)	8.4 (330 3/4)	11.2 (441)	16.9 (665 1/2)	22.6 (889 1/8)	28.2 (1109 1/8)	33.9 (1334 1/2)

There may be a slight difference between the actual value and the design value shown in the table above.

## VPL-FW300L

(When “Aspect” on the Screen menu is set to “Full 2” or “Full”)

Unit: m (feet)

Projected image size (diagonal) (inches)	40	60	80	100	120	150	200	300	400	500	600
<b>Minimum Distance</b>	1.6 (63)	2.5 (98 $\frac{1}{2}$ )	3.4 (133 $\frac{7}{8}$ )	4.2 (165 $\frac{3}{8}$ )	5.1 (200 $\frac{7}{8}$ )	6.4 (252)	8.6 (338 $\frac{5}{8}$ )	12.9 (508)	17.3 (674 $\frac{1}{4}$ )	21.7 (854 $\frac{1}{2}$ )	26.0 (1023 $\frac{5}{8}$ )
<b>Maximum Distance</b>	2.1 (82 $\frac{3}{4}$ )	3.2 (126)	4.3 (169 $\frac{3}{8}$ )	5.4 (212 $\frac{5}{8}$ )	6.5 (256)	8.2 (322 $\frac{7}{8}$ )	10.9 (429 $\frac{1}{4}$ )	16.5 (649 $\frac{3}{4}$ )	22.0 (866 $\frac{1}{4}$ )	27.5 (1082 $\frac{7}{8}$ )	33.1 (1303 $\frac{3}{8}$ )

There may be a slight difference between the actual value and the design value shown in the table above.

*For details on installation, consult with qualified Sony personnel.*

---

### V-Keystone

The V-Keystone correction (keystone distortion vertical correction) function can correct a picture distortion due to projecting angle.

*See the “The Installation Menu” on page 42 for details of setting.*

### Correcting angle

VPL-FH300L:  $\pm 5^\circ$  ( $\pm 15^\circ$  when using the video signal only)

VPL-FW300L:  $\pm 30^\circ$  ( $\pm 10^\circ$  at 1080/24p and 1080/30p)

# Connecting the Projector

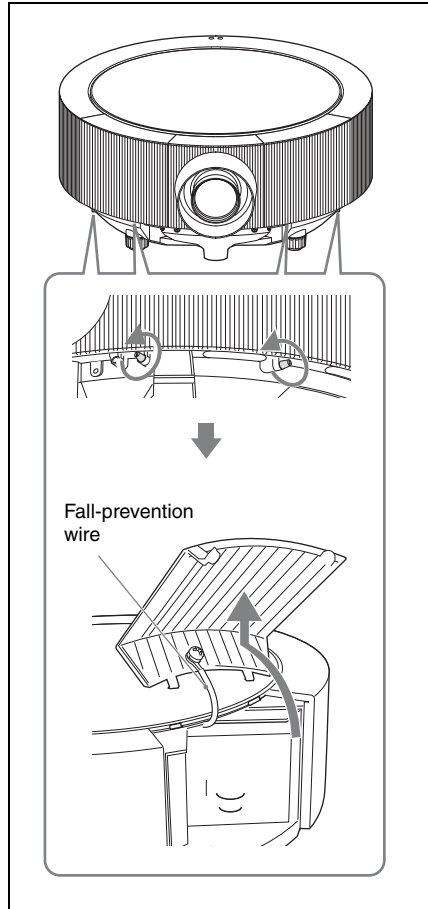
**When you connect the projector, make sure to:**

- Turn off all equipment before making any connections.
- Use the proper cables for each connection.
- Insert the cable plugs firmly; loose connections may increase noise and reduce performance of picture signals. When pulling out a cable, be sure to pull it out by the plug, not the cable itself.

*When connecting to a LAN using a LAN cable, see “Operating Instructions for Network” stored on the CD-ROM.*

## To remove the connector covers

Before connection, remove the connector covers on both sides of the lens. First remove the two screws on the bottom of each connector cover, and then lift up the bottom side of the cover as in the illustration. The connector covers are connected with the main unit by the fall-prevention wires.

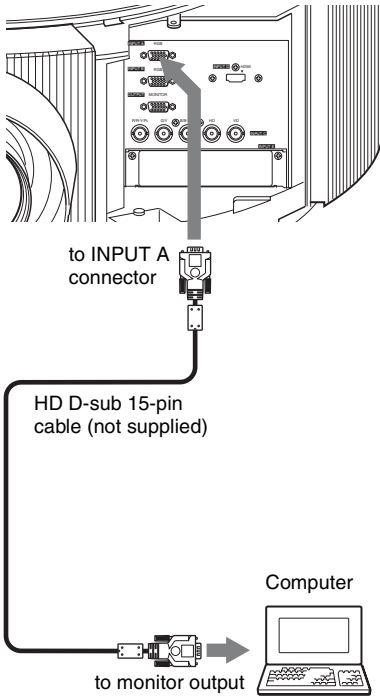


## Connecting a Computer

This section describes how to connect the projector to a computer. For more information, refer to the computer’s instruction manual.

## To connect a computer (Analog)

Front (the connector panel on the right of the lens)



### Notes

- The projector accepts VGA, SVGA, XGA, WXGA, SXGA, SXGA+, WSXGA+ and UXGA signals. However, we recommend that you set the output mode of your computer to WSXGA+ (VPL-FH300L) or WXGA (VPL-FW300L) mode for the external monitor.
- If you set your computer, such as a notebook computer, to output the signal to both your computer's display and the external monitor, the picture of the external monitor may not appear properly. Set your computer to output the signal to only the external monitor.

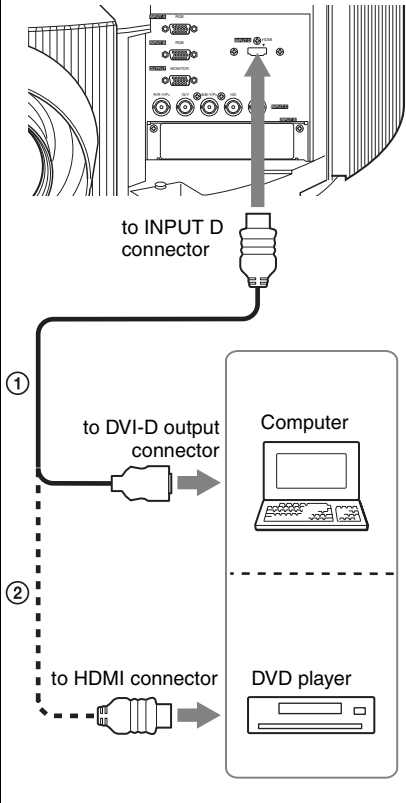
*For details, see the operating instructions supplied with your computer.*

### Note

To connect a Macintosh computer equipped with a video output connector of a type having two rows of pins, use a commercially available plug adaptor.

## To connect a computer (Digital) or video equipment (Digital)

Front (the connector panel on the right of the lens)



- ① HDMI-DVI-D cable (not supplied)
- ② HDMI cable (not supplied)

### Notes

- The projector accepts VGA, SVGA, XGA, WXGA, SXGA, SXGA+, WSXGA+, UXGA, Full HD and 2K × 1K signals. However, we recommend that you set the output mode of your computer to WSXGA+

(VPL-FH300L) or WXGA (VPL-FW300L) mode for the external monitor.

- If you set your computer, such as a notebook computer, to output the signal to both your computer's display and the external monitor, the picture of the external monitor may not appear properly. Set your computer to output the signal to only the external monitor.

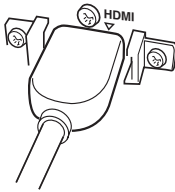
*For details, see the operating instructions supplied with your computer.*

- Be sure to use the HDMI cable with an HDMI logo.
- The HDMI connector of this projector is not compatible with DSD (Direct Stream Digital) Signal or CEC (Consumer Electronics control) Signal.

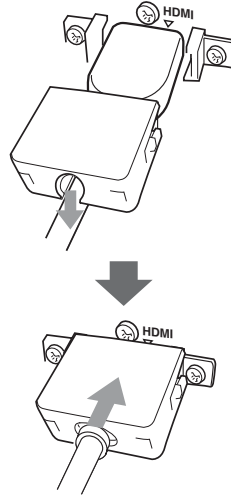
### To attach the HDMI connector cover

The HDMI connector cover is supplied with the projector to prevent the HDMI cable coming out. Attach it if necessary. Regarding the verified HDMI cable, consult with qualified Sony personnel.

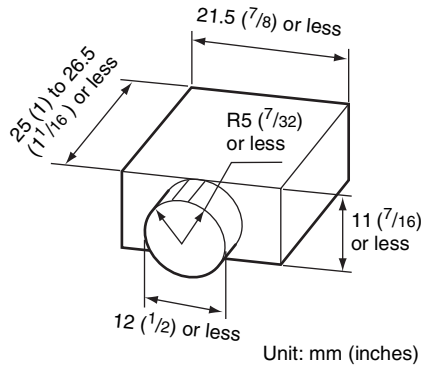
- 1 Connect the HDMI cable securely.



- 2 Route the cable with the HDMI connector cover through the slit, and insert it until it clicks.



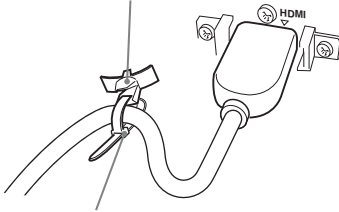
### Attachable connector size for HDMI connector cover



### If HDMI connector cover cannot be used for fixing

Sometimes the HDMI connector cover cannot be used, depending on the connected HDMI cable. In this case, fix the cable to the cable tie holder next to the HDMI cable using a commercially available cable tie as in the illustration.

Cable holder



Cable tie (commercially available)

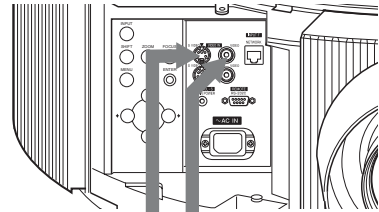
\* Use a cable tie of less than 1.9 mm x 3.8 mm thickness.

## Connecting a VCR

This section describes how to connect the projector to a VCR.  
For more information, refer to the instruction manuals of the equipment you are connecting.

### To connect to a video (BNC) or S video output connector

Front (the connector panel on the left of the lens)



to VIDEO IN-  
S VIDEO  
connector

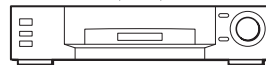
to VIDEO IN-  
VIDEO  
connector

S-Video cable  
(not supplied)

Video cable  
(not supplied)

to S video  
output

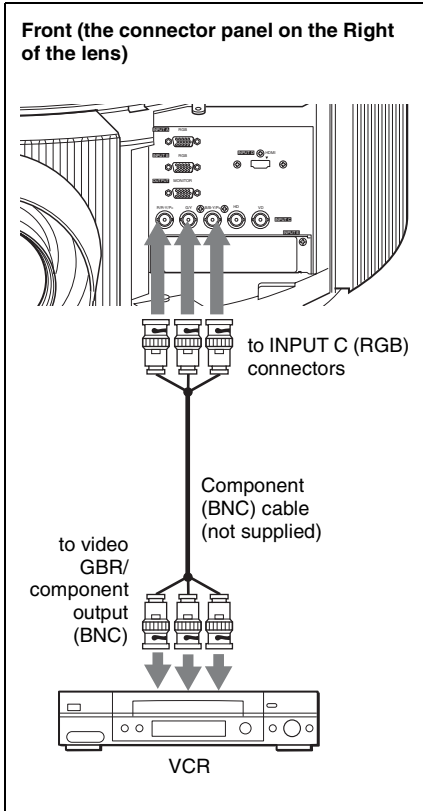
to video  
output  
(BNC)



VCR



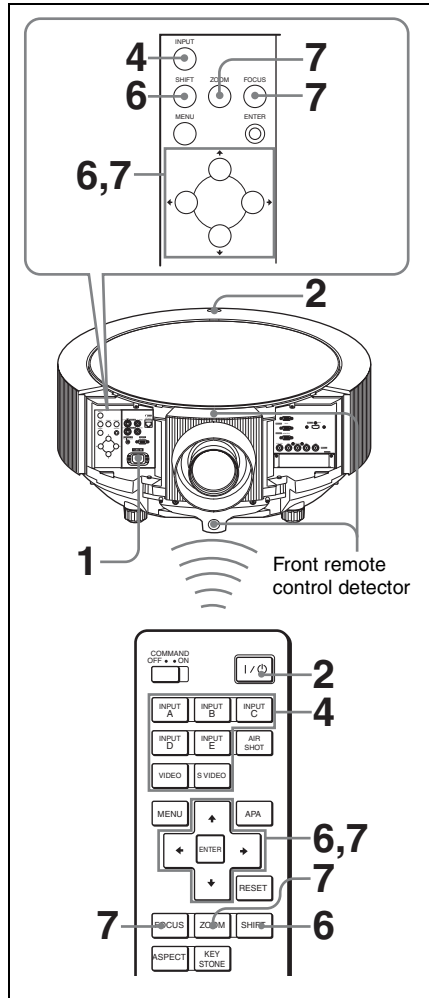
**To connect to a video GBR/  
Component output connector**



**Note**

Set the aspect ratio using “Aspect” on the Screen menu according to the input signal.

# Projecting

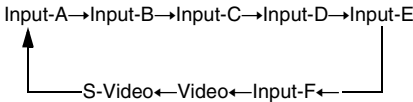


- 1** Plug the AC power cord into a wall outlet, then connect all equipment. The ON/STANDBY indicator lights in red and the projector goes into standby mode.
- 2** Press the I/O key. The ON/STANDBY indicator flashes in green, and then lights in green.

- 3 Turn on the equipment connected to the projector.
- 4 Press the INPUT key to select the input source.

You can select directly the input signal you want to project by pressing one key from among INPUT A, B, C, D or E on the Remote Commander.

Each time you press the INPUT key on the control panel, the input signal switches as follows:



To input from	Press INPUT to display
Computer, etc. connected to the INPUT A connector	Input-A
Computer, etc. connected to the INPUT B connector	Input-B
Computer/VCR, etc. connected to INPUT C connector	Input-C
Computer/VCR, etc. connected to INPUT D (Digital) connector	Input-D
Video equipment connected to the optional HDSDI board	Input-E
Computer connected to LAN to use the network presentation function	Input-F
Video equipment connected to the VIDEO input connector	Video
Video equipment connected to the S VIDEO input connector	S-Video

Smart APA (Auto Pixel Alignment) adjusts the picture of the connected equipment so that it is projected clearly.




### Notes

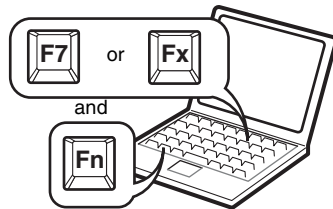
- If “Auto Input Search” is set to “On,” the projector searches for the signals from the connected equipment and displays the input channel where the input signals are found.

*For details, see “Auto Input Search” in the Function menu on page 40.*

- The Smart APA feature is effective for the input (analog) signal from a computer only.





- 5 Switch the equipment connected to output to the projector.

Depending on the type of your computer, for example a notebook, or an all-in-one LCD type, you may have to switch the computer to output to the projector by pressing certain keys (e.g., / , , etc.), or by changing your computer’s settings.

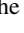

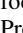
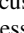


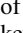
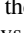


### Note

The key used for switching the computer to output to the projector varies depending on the type of computer.

- 6 Adjust the upper, lower, left or right position of the picture using the / / /  key while pressing the SHIFT key.

- 7 Adjust the size of the picture and the focus.

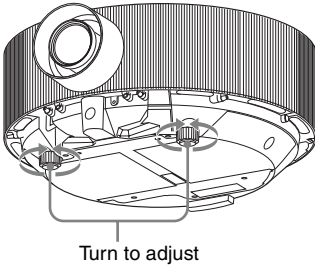
Press the FOCUS key and adjust the focus using the / / /  keys. Press the ZOOM key and adjust the size of the picture using the / / /  keys.

### Note

The VPLL-4008 does not have the zoom function. To adjust the focus of the picture, turn the lens ring.

### To adjust the tilt of the installation surface

If the projector is installed on an uneven surface, use the adjusters to keep the projector level.



### Notes

- Be careful not to let the projector down on your fingers.
- Do not push hard on the top of the projector with the adjuster extended. It may cause a malfunction.

## Turning Off the Power

- 1 Press the I/⏻ key.  
“POWER OFF? Please press I/⏻ key again.” appears to confirm that you want to turn off the power.

### Note

The message disappears if you press any key other than the I/⏻ key, or if you do not press any key for about five seconds.

- 2 Press the I/⏻ key again.  
The ON/STANDBY indicator flashes in green and the fan continues to run to reduce the internal heat. Also, the ON/STANDBY indicator flashes quickly. During this time, you will not be able to light up the ON/STANDBY indicator again with the I/⏻ key.

- 3 Unplug the AC power cord from the wall outlet after the fan stops running and the ON/STANDBY indicator lights in red. (except when using the Direct Power On/Off function.)

### When you cannot confirm the on-screen message

When you cannot confirm the on-screen message under certain conditions, you can turn off the power by holding the I/⏻ key for about one second instead of the steps 1 and 2 above.

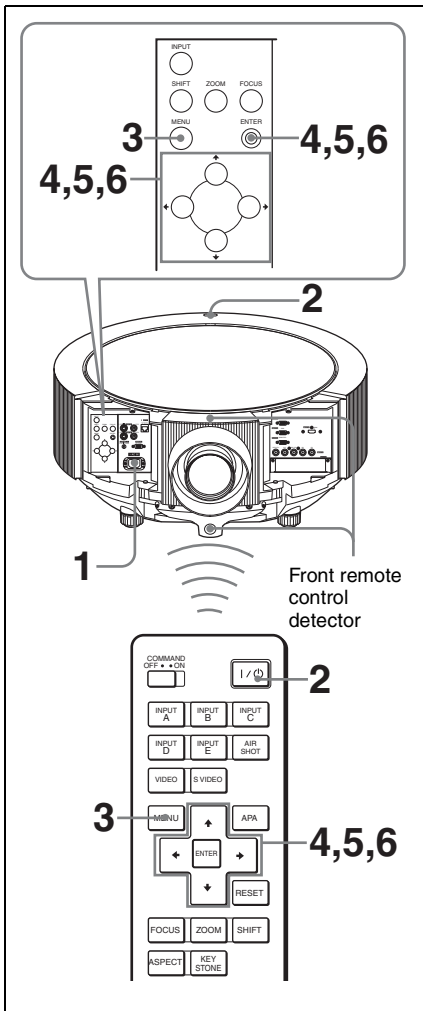
### Note

The internal circuitry of the Direct Power On/Off functions may cause the fan to continue to operate for a short time even after the I/⏻ key is pressed to turn off the power and the ON/STANDBY indicator changes to red.

## ► Convenient Functions

# Selecting the Menu Language

You can select one of sixteen languages for displaying the menu and other on-screen displays. The factory setting is English. To change the menu language, proceed as follows:



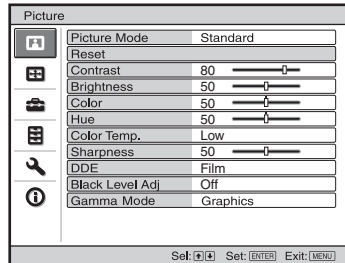
- 1 Plug the AC power cord into a wall outlet.

- 2 Press the I/O key to turn on the projector.

- 3 Press the MENU key.

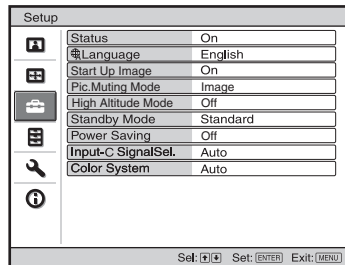
The menu appears.

The menu currently selected is shown as a yellow button.



- 4 Press the ↑ or ↓ key to select the (Setup) menu, then press the → or ENTER key.

The selected menu appears.



- 5 Press the ↑ or ↓ key to select “Language,” then press the → or ENTER key.



- 6** Press the **↑**, **↓**, **←** or **→** key to select a language, then press the ENTER key.  
The menu changes to the selected language.

**To clear the menu**

Press the MENU key.  
The menu disappears automatically if a key is not pressed for one minute.

# Security Lock

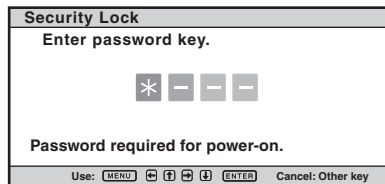
The projector is equipped with a security lock function. When you turn the power of the projector on, you are required to input the previously set password. If you do not input the correct password, you will not be able to project the picture.

**Notes**

- When the security lock becomes effective, you are required to input the password only when you turn the projector on after disconnecting or reconnecting the cable.
- You will not be able to use the projector if you forget your password and the password administrator is not available. Be please aware that using the security lock can prevent valid usage in such cases.

**To use the security lock**

- 1** Press the MENU key and then, on the Function menu, turn on the “Security Lock” setting.
- 2** Enter the password.  
Use the MENU, **↑/↓/←/→**, and ENTER keys to enter the four-digit password. (The default initial password setting is “ENTER, ENTER, ENTER, ENTER.” After this is entered you can put in your own password. Therefore, when you use this function for the first time, please input “ENTER” four times.)



Next, the screen for entering the new password is displayed. (Enter the password on this screen even if you want to keep the current password.)

Enter the password on this screen.



### Note

If you call the customer service center because you have forgotten the password, you will need to be able to verify the projector's serial number and your identity. (This process may differ in other countries/regions.) Once your identity has been confirmed, we will provide you with the password.

- 3 Enter the password again to confirm.



When "Security Lock enabled!" is displayed on the menu screen, the setting for security lock is completed.

If "Invalid Password!" is displayed on the menu screen, perform this procedure again from step 1.

- 4 Turn the main power off and disconnect the AC power cord.  
The security lock is set to on, then it becomes effective. The screen used for entering the password is displayed when the power is turned on the next time.

---

## Security certification

When the password screen is displayed, enter the password that was set. If you fail to enter the correct password after three tries, the projector cannot be used. In this case, press the I/⏻ key to turn off the power.

---

## To cancel the security lock

- 1 Press the MENU key, then turn off the "Security Lock" setting in the Function menu.
- 2 Enter the password.  
Enter the password that was set.

# Other Functions

## Direct Power On/Off Function

If you will be using a circuit breaker to turn the power for the entire system on and off, set the “Direct Power On” function to “On.” You can turn the power on/off without pressing the power key on the projector. After the power is turned off, the internal circuitry will cause the fan to automatically operate for a certain time.

### Notes

- You need more than 15 minutes for a charge power supply. If the projector has been on for less than 15 minutes, the fan might not turn enough as a result of inadequate charging. If the projector has been on for a short time, unplug the AC power cord from the wall outlet after the power off and the ON/STANDBY indicator lights in red.
- When the power is turned on soon after it has been turned off, it may take some time until the lamp will light on.

## Effective Tools for Your Presentation

### To freeze the image projected (Freeze function)

Press the FREEZE key. “Freeze” appears when the key is pressed. This function works when a signal from a computer is input. To restore the original screen, press the FREEZE key again.

## Controlling the Computer Using a Presentation Tool, RM-PJK1 (not supplied) (When Using the Network Presentation Function)

When you are using the network presentation function to project the picture from a computer, you can perform some operations for a slide show using a

presentation tool (not supplied). The following keys on the presentation tool are usable.

Key	Function
LASER*	Emits a laser beam.
↔ SLIDE ↔	Changes the slides in the forward/backward direction.
B	Displays/cancels a black screen during the slide show.

\* Even if the network presentation function is not used, the LASER key can be used.

### Notes

- If there is any obstruction between the presentation tool and the remote control detector on the projector, the presentation tool may not function properly.
- A black screen may not be displayed even if you press the “B” key depending on the operating system (OS) of the language of your computer.
- When you use the presentation tool, set “ID Mode” in the Installation menu to “All” or “1.”

# Using a MENU

The projector is equipped with an on-screen menu for making various adjustments and settings. Some of the adjustable/setting items are displayed in a pop-up menu, in a setting menu or adjustment menu with no main menu, or in the next menu window. If you select an item name followed by an arrow (▶), the next menu window with the setting items appears.

*To change the on-screen menu language, see “Selecting the Menu Language” on page 28.*

## Display items

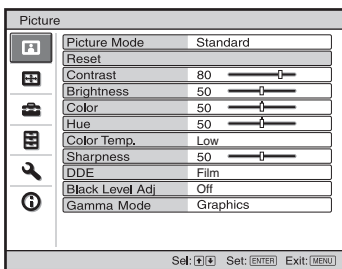
Input signal indicator



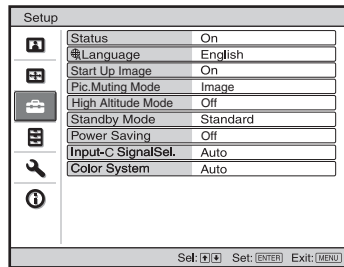
### Input signal indicator

Shows the selected input channel. X(▶) is displayed when no signal is input. You can hide this indicator using “Status” on the Setup menu.

- 1 Press the MENU key.  
The menu appears.



- 2 Use the ↑ or ↓ key to select a menu, then press the → or ENTER key.  
The items that can be set or adjusted with the selected menu appear. The item presently selected is shown in yellow.



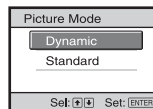
- 3 Select an item.  
Use the ↑ or ↓ key to select the item, then press the → or ENTER key.  
The setting items are displayed in a pop-up menu, in a setting menu, in an adjustment menu or in the next menu window.

## Pop-up menu

Setting items



## Setting menu

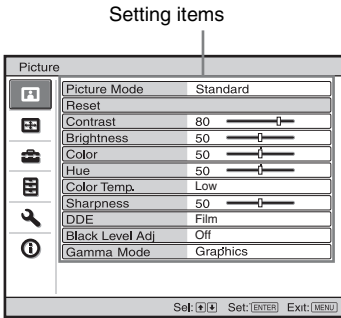


## Adjustment menu





## Next menu window



## 4 Make the setting or adjustment of an item.

- **When changing the adjustment level:**

To increase the number, press the **↑** or **→** key.

To decrease the number, press the **↓** or **←** key.

Press the ENTER key to restore the previous screen.

- **When changing the setting:**

Press the **↑** or **↓** key to change the setting.

Press the ENTER key to restore the previous screen.

You can restore the previous screen using **←** depending on the selected item.

---

## To clear the menu

Press the MENU key.

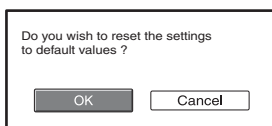
The menu disappears automatically if a key is not pressed for one minute.

---

## To reset items that have been adjusted

To reset the setting of the items, there are the following two ways.

- Select “Reset” in the Picture menu.



Select “OK” when the screen display appears. The following settings are reset to their factory preset values:

The items that can be reset are as follows: “Contrast,” “Brightness,” “Color,” “Hue,” “Color Temp.,” “Sharpness,” “DDE,” “Black Level Adj.,” and “Gamma Mode” in the Picture menu.

- Press the RESET key on the Remote Commander.

To reset the value of an item back to its factory preset value, press the RESET key while a setting item is displayed on the screen.

---

## Unadjustable items

The adjustable items are limited depending on the input signals. The items that cannot be adjusted or set do not appear in the menu.

*For details, see page 44.*

---

## Storage of the settings

The settings are automatically stored in the projector memory when the ENTER key is pressed.

---

## If no signal is input

If there is no input signal, “Cannot adjust this item.” appears on the screen.

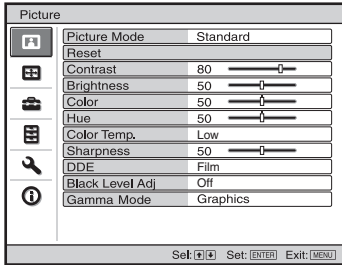
# The Picture Menu

The Picture menu is used for adjusting the picture.

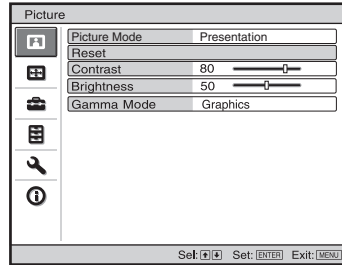
Items that can be adjusted or set depend on the kind of input signals.

For details, see “Input signals and adjustable/setting items” on page 44.

## When the video signal is input



## When the signal is input from a computer



Setting items	Functions	Initial setting
Picture Mode	<p>Selects the picture mode.</p> <ul style="list-style-type: none"> <li>• <b>Dynamic:</b> Emphasizes the contrast to produce a “dynamic” picture.</li> <li>• <b>Standard:</b> Normally select this setting. If the picture has roughness with the “Dynamic” setting, this setting reduces the roughness.</li> <li>• <b>Presentation:</b> Makes the picture be bright to be suitable for a presentation when the signal is input from a computer.</li> </ul>	Set according to the input signal
Reset	The following settings are initialized to their factory preset values: “Contrast,” “Brightness,” “Color,” “Hue,” “Color Temp,” “Sharpness,” “DDE,” “Black Level Adj.,” and “Gamma Mode” in the Picture Mode.	—
Contrast	Adjusts the white area of pictures (white level). The higher the setting, the greater the contrast. The lower the setting, the lower the contrast.	80
Brightness	Adjusts the brightness of the picture. The higher the setting, the brighter the picture. The lower the setting, the darker the picture.	50
Color	Adjusts the intensity of the color density. The higher the setting, the greater the intensity. The lower the setting, the lower the intensity.	50
Hue	Adjusts the color tone. The higher the setting, the more greenish the picture becomes. The lower the setting, the more reddish the picture becomes.	50
Color Temp.	<p>Adjusts the color temperature.</p> <ul style="list-style-type: none"> <li>• <b>High:</b> Gives white colors a blue tint.</li> <li>• <b>Middle:</b> Gives white colors a natural tint.</li> <li>• <b>Low:</b> Gives white colors a red tint.</li> </ul>	Low



Setting items	Functions	Initial setting
Sharpness	Sharpens the outline of the picture, or reduces the noise. The higher the setting, the sharper the picture. The lower the setting, the softer the picture, thus reducing the noise.	50
DDE (Dynamic Detail Enhancer)	According to the film source you have selected, make a setting for playback. <ul style="list-style-type: none"><li>• <b>Film:</b> Normally, select this option. Reproduces the 2-3 Pull-Down film sources with smooth picture movement. When the video signal with a format other than the 2-3 Pull-Down is input, “Progressive” is automatically selected.</li><li>• <b>Progressive:</b> Converts an interlace format video signal to a progressive format.</li><li>• <b>Off:</b> Plays a video signal in an interlace format without converting.</li></ul>	Film
Black Level Adj. (Adjust)	Produces a bolder, dynamic picture. Set according to the input signal source. <ul style="list-style-type: none"><li>• <b>High:</b> Gives higher emphasis to the black color.</li><li>• <b>Low:</b> Gives lower emphasis to the black color.</li><li>• <b>Off:</b> Cancels this feature.</li></ul>	Off
Gamma Mode	Selects a gamma correction curve. <ul style="list-style-type: none"><li>• <b>Graphics:</b> Improves the reproduction of halftones. Photos can be reproduced in natural tones.</li><li>• <b>Text:</b> Contrasts black and white. Suitable for images that contain lots of text.</li></ul>	Graphics

**Note**

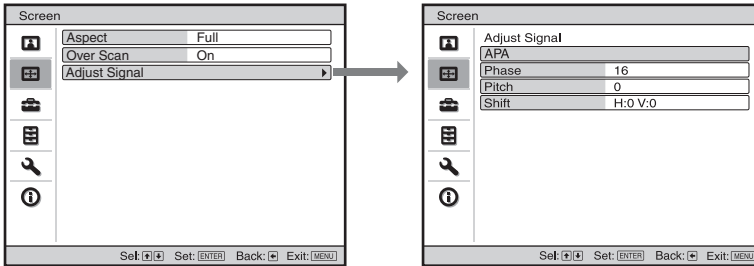
When the “Picture Mode” is set to “Presentation”, the setting item of “Color Temp.” is not displayed.

# The Screen Menu

The Screen menu is used to adjust the input signal. You can also adjust the aspect ratio of the picture.

Items that can be adjusted or set depend on the kind of input signals.

For details, see “Input signals and adjustable/setting items” on page 44.



Setting items	Functions	Initial setting
Aspect (When the video signal is input)	<p>You can set the aspect ratio of the picture to be displayed for the current input signal. This item is enabled only when an video signal (preset memory numbers 1 to 11) is input.</p> <ul style="list-style-type: none"> <li>• <b>Full:</b> The original image is projected fully in the window.</li> <li>• <b>4:3:</b> Select to view a picture with normal 4:3 aspect ratio.</li> <li>• <b>16:9:</b> Select to view a picture squeezed.</li> </ul>	Set according to the input signal
Aspect (When the PC signal is input)	<p>You can set the aspect ratio of the picture to be displayed for the current input signal. This item is enabled only when an PC signal (preset memory numbers 21 to 63) is input.</p> <ul style="list-style-type: none"> <li>• <b>Full 1:</b> Displays a picture vertically or horizontally to fill the screen without changing the aspect ratio of the original picture.</li> <li>• <b>Full 2:</b>The original image is projected fully in the window.</li> <li>• <b>Normal:</b> Displays the picture while matching one pixel of input picture element to that of the LCD. The picture will be clear but the picture size will be smaller.</li> <li>• <b>4:3:</b> Makes the aspect ratio 4:3.</li> <li>• <b>16:9:</b> Makes the aspect ratio 16:9.</li> </ul>	Set according to the input signal
Over Scan	<p>Hides the outline of the picture.</p> <ul style="list-style-type: none"> <li>• <b>On:</b> Hides the outline of the input picture. Select this setting when noise appears along the edge of the picture.</li> <li>• <b>Off:</b> Projects the whole of the input picture.</li> </ul>	On



Setting items	Functions	Initial setting
Adjust Signal		Set according to the input signal
APA (Auto Pixel Alignment)	Pressing ENTER key automatically adjusts the “Phase,” “Pitch” and “Shift” to position the image correctly on a screen.	
Phase	Adjusts the dot phase of the panel and the computer signal. Adjust the picture to the point where it looks clearest.	
Pitch	Adjusts the horizontal size of the picture from a computer. The higher the setting, the wider the picture. The lower the setting, the narrower the picture. Adjust the setting to match the number of dots of the input signal.	
Shift	Adjusts the position of the picture. <ul style="list-style-type: none"> <li>• <b>H:</b> As the setting for H (horizontal) increases, the picture moves to the right, and as the setting decreases, the picture moves to the left. Use ← / → key to adjust the horizontal position.</li> <li>• <b>V:</b> As the setting for V (vertical) increases, the picture moves up, and as the setting decreases, the picture moves down. Use ↑ / ↓ key to adjust the vertical position.</li> </ul>	

**Notes**

- Note that if the projector is used for profit or for public viewing, modifying the original picture by switching to the aspect mode may constitute an infringement of the rights of authors or producers, which are legally protected.
- For Aspect, “Aspect” itself or a part of the setting items cannot be displayed on the screen according to the input signal. Also, “Full 1” and “Full 2” may become the same images.

**About the Preset Memory No.**

This projector has 50 types of preset data for input signals (the preset memory). When a preset signal is input, the projector automatically detects the signal type and recalls the data for the signal from the preset memory to adjust it to an optimum picture. The memory number and signal type of that signal are displayed on the Information menu (See page 44). You can also adjust the preset data through the Screen menu.

This projector has 20 types of user memories for Input-A into which you can save the setting of the adjusted data for an unpreset input signal.

When an unpreset signal is input for the first time, a memory number is displayed as 0. When you adjust the data of the signal using the Screen menu, it will be registered in the

projector. If more than 20 user memory items are registered, the newest memory always overwrites the oldest one.

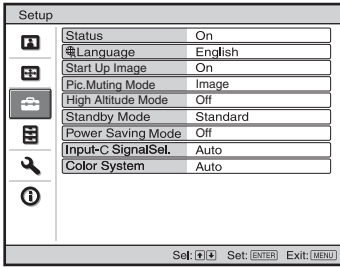
*See the chart on page 59 to find if the signal is registered in the preset memory.*

**Note**

When “Aspect” of the Screen menu is set to other than “Full” or “Full 2”, a part of the screen is displayed in black.

# The Setup Menu

The Setup menu is used for changing the settings of the projector.



Setting items	Functions	Initial setting
Status	Sets whether or not the on-screen display is displayed. Set to "Off" to turn off the on-screen displays except for the menus, message when turning off the power, and warning messages.	On
Language	Selects the language used in the menu and on-screen displays. Available languages are: English, Dutch, French, Italian, German, Spanish, Portuguese, Russian, Swedish, Norwegian, Japanese, Chinese (Simplified Chinese), Chinese (Traditional Chinese), Korean, Thai and Arabic.	English
Start Up Image	<ul style="list-style-type: none"> <li>• <b>On:</b> Displays the Start Up Image on the screen after turning on the power.</li> <li>• <b>Off:</b> Does not displays the Start Up Image on the screen after turning on the power.</li> </ul>	On
PIC (Picture) Muting Mode	<p>Sets to mute the picture on the screen when the MUTING PIC button is pressed.</p> <ul style="list-style-type: none"> <li>• <b>Image:</b> Mutes the image signal to mute the picture. In this case, black signals are projected onto the screen.</li> <li>• <b>Shutter:</b> Cut the image signal by the movement of the shutter inside the lens. In this case, no image signal is projected onto the screen.</li> </ul>	Image
High Altitude Mode	<p>Use this item when using the projector at high altitudes.</p> <ul style="list-style-type: none"> <li>• <b>On:</b> Use this setting when using the projector at an altitude of 1,500 m or higher.</li> <li>• <b>Off:</b> Use this setting when using the projector at normal altitudes.</li> </ul>	Off
Standby Mode	<p>Lowers the power consumption in standby mode. When set to "Low", the power consumption in standby is lowered.</p>	Standard

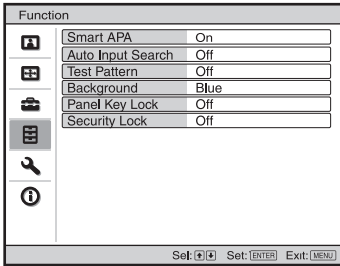
Setting items	Functions	Initial setting
Power Saving Mode	<p>Selects the Power Saving mode.</p> <ul style="list-style-type: none"> <li>• <b>Lamp Cutoff:</b> The lamp goes off and the ON/STANDBY indicator lights in orange if no signal is input for 10 minutes. The lamp lights again when a signal is input or any key is pressed.</li> <li>• <b>Standby:</b> The projector goes into Standby mode and the ON/STANDBY indicator lights in red if no signal is input for 10 minutes. To use it, turn on the power again.</li> </ul> <p><b>Off:</b> The projector does not go into Power Saving mode.</p>	Off
Input-C Signal Sel.	<p>Selects the type of signal input from the equipment connected to the INPUT C connector.</p> <p>Selects the type of signal input from the equipment by selecting "Input-C" with the INPUT key.</p> <ul style="list-style-type: none"> <li>• <b>Auto:</b> Selects the input signal type automatically.</li> <li>• <b>Computer:</b> Inputs the signal from a computer.</li> <li>• <b>Video GBR:</b> Inputs the signal from a TV game or HDTV broadcast.</li> <li>• <b>Component:</b> Inputs the component signal from a DVD player/recorder, Blu-ray Disc player, digital tuner, etc.</li> </ul>	Auto
Color System	<p>Selects the color system of the input signal.</p> <ul style="list-style-type: none"> <li>• <b>Auto:</b> Selects the color system of the input signal automatically from among NTSC<sub>3.58</sub>, PAL, SECAM, NTSC<sub>4.43</sub>, PAL-M, PAL-N, or PAL60.</li> <li>• <b>"NTSC<sub>3.58</sub>"–"PAL-N":</b> Allows you to set the color system to the selected system manually.</li> </ul>	Auto

### Notes

- If you turn on "High Altitude Mode" to "On" at an altitude less than 1,500 m (4,921 feet), the projector may reduce the reliability of the lamp.
- When "High Altitude Mode" is set to "On", the number of turns of the fan increases, and the fan noise becomes slightly louder.
- When "Standby Mode" is set to "Low," the network presentation function and network control function cannot be operated.
- When the input signal is not displayed correctly even if "Input-C Signal Sel." set to "Auto," select the item according to the input signal.
- Normally, set "Color System" to "Auto." If the picture is distorted or colorless, select the color system appropriate for the input signal.

# The Function Menu

The Function menu is used for changing the settings of the various functions of the projector.



Setting items	Functions	Initial setting
Smart APA	<p>The APA (Auto Pixel Alignment) automatically adjusts “Phase,” “Pitch” and “Shift” in the Screen menu for the input signal from a computer. When it is set to “On”, it will be executed whenever a signal is input.</p> <ul style="list-style-type: none"> <li>• <b>On:</b> When a signal is input from a computer, the APA functions automatically so that the picture can be seen clearly. You can adjust the picture by pressing the APA key on the Remote Commander even if “Smart APA” set to “On.”</li> <li>• <b>Off:</b> The APA functions when you press the APA key on the Remote Commander.</li> </ul>	On
Auto Input Search	<p>Detects the input signal and displays the detected input signal automatically when the INPUT key is pressed. When set to “On”, the projector detects whether a Input-A, Input-B, Input-C, Input-D, Input-E, Input-F, Video or S Video signal is input when the input connector with effective signals is automatically selected by pressing INPUT key. “Input-E” and “Input-F” are displayed always. Set this to “Off” when you want to select an input selector with no input signal, or you want to switch the setting manually.</p>	Off
Test Pattern	<p>Displays the test pattern. When set to “On,” a test pattern appears on the screen to be used when adjusting the lens with “Focus,” “Zoom,” and “Shift,” or correcting the screen proportions with “V Keystone.” A test pattern does not appear when this item is set to “Off.”</p>	Off
Background	<p>Selects the background color of the screen when no signal is input. You can select “Black” or “Blue”.</p>	Blue





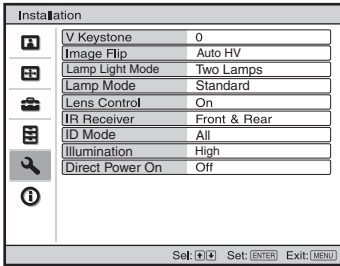
Setting items	Functions	Initial setting
Panel Key Lock	Locks all the control panel keys of the projector so that the projector can be operated only with the Remote Commander. To lock the control panel keys, set to “On.” To release the lock with the projector, press and hold the MENU key for about 10 seconds when the power is on. The lock will be released and “Panel Key Lock” is automatically set to “Off.”	Off
Security Lock	Turns on the projector’s security lock function. When set to “On,” turns on the security lock function, which locks the projector once a password has been set. <i>For details, see “Security Lock” on page 29.</i>	Off

**Notes**

- Press the APA key when the full image is displayed on the screen. If the projected image includes a black portion around it, the APA function will not work properly and some parts of the image may not be displayed on the screen.
- You can cancel the adjustment by pressing the APA key again while “Adjusting” appears on the screen.
- The picture may not be adjusted properly depending on the type of input signal.
- Adjust the “Phase,” “Pitch,” and “Shift” items in the Screen menu when you adjust the picture manually.

# The Installation Menu

The Installation menu is used for changing the settings of the projector.



Setting items	Functions	Initial setting
V Keystone	Corrects the vertical trapezoidal distortion of the picture. <b>When the bottom of the trapezoid is longer than the top</b> (□): Sets a lower value (– direction) <b>When the top of the trapezoid is longer than the bottom</b> (□): Sets a higher value (+ direction).	0
Image Flip	Flips the picture on the screen horizontally and/or vertically. Use this item for installation for the backside projection or ceiling installation. <ul style="list-style-type: none"> <li>• <b>HV:</b> Flips the picture horizontally and vertically.</li> <li>• <b>H:</b> Flips the picture horizontally.</li> <li>• <b>V:</b> Flips the picture vertically.</li> <li>• <b>Off:</b> The picture does not flip.</li> <li>• <b>Auto HV:</b> Flips the picture horizontally and vertically automatically to suit the installation conditions of the projector</li> </ul>	Auto HV
Lamp Light Mode	Sets the lighting mode of the two equipped lamps. <ul style="list-style-type: none"> <li>• <b>Two Lamps:</b> Always lights 2 lamps.</li> <li>• <b>Auto one Lamp:</b> Lights the lamp whose timer is set to use for a shorter period of time than the other.</li> <li>• <b>Fixed Lamp 1:</b> Always lights lamp 1.</li> <li>• <b>Fixed Lamp 2:</b> Always lights lamp 2.</li> </ul>	Two Lamps
Lamp Mode	Sets the lamp brightness used during the projection. <ul style="list-style-type: none"> <li>• <b>High:</b> Illuminates the projected image brightly.</li> <li>• <b>Standard:</b> Reduces fan noise and power consumption. The brightness of the projected image will be lower compared with the “High” setting.</li> </ul>	Standard
Lens Control	Locks to avoid any operation of the lens such as “Focus,” “Zoom,” and “Shift,” by mistake. When set to “On,” you can adjust the projection lens using “Focus,” “Zoom,” and “Shift.” After you make this adjustment, it is recommended that you set this item to “Off” to avoid any operation of the lens. When set to “Off,” the FOCUS, ZOOM and SHIFT keys do not work.	On

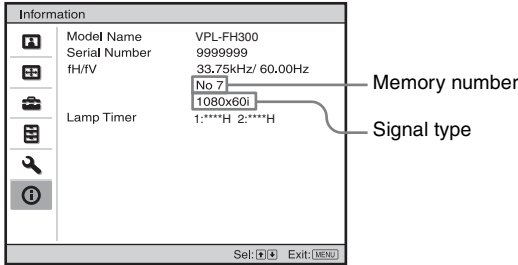
Setting items	Functions	Initial setting
IR Receiver	<p>Selects the remote control detectors (IR Receiver) on the front and rear of the projector.</p> <ul style="list-style-type: none"> <li>• <b>Front &amp; Rear:</b> Activates both the front and rear detectors.</li> <li>• <b>Front:</b> Activates the front detector only.</li> <li>• <b>Rear:</b> Activates the rear detector only.</li> </ul> <p>If the remote commander does not work well or works false operation affected by a fluorescent lamp, set the remote sensor on the fluorescent lamp to off.</p>	Front & Rear
ID Mode	<p>Assigns an ID number (1 to 3) to the projector when you want control two or more projectors individually with the supplied Remote Commander. When this item is set to "1," you can control the projector with the Remote Commander with the ID MODE key set to "1." When it is set to "All," you can control all the projectors with the Remote Commander independently of the ID MODE keys of the Remote Commander.</p>	All
Illumination	<p>Lights the SONY logo on the top panel while the projector is on. Select its brightness from among "High", "Medium" and "Low", or select "Off" if you do not want it to light.</p>	High
Direct Power On	<p>Set to "On" if you are using a circuit breaker to turn the power on/off the entire system. You can turn the power on/off without pressing the power key on the projector.</p>	Off

#### Note

Depending on the picture position adjusted with the lens shift feature, the aspect ratio of the picture may change from the original or picture distortion may occur with V Keystone adjustment.

# The Information Menu

The Information menu displays the model name, serial number, the horizontal and vertical frequencies of the input signal and the cumulated hours of usage of the lamp.



Setting items	Functions
Model Name	Displays the model name.
Serial Number	Displays the serial number.
fH (horizontal frequency)	Displays the horizontal frequency of the input signal.
fV (vertical frequency)	Displays the vertical frequency of the input signal.
Memory No.	Displays the preset memory number of the input signal.
Signal Type	Displays the type of the input signal.
Lamp Timer	Indicates the total usage time of each lamp. (The background of the lamp number of the lamp currently lit is shown in yellow.)

## Notes

- fH (horizontal frequency) and fV (vertical frequency) may not be displayed depending on the input signal used on the projector.
- You cannot change the displays listed above.

## Input signals and adjustable/setting items

Some of the items in the menus cannot be adjusted depending on the input signal as indicated in the following tables. The items that cannot be adjusted are not displayed in the menu.

### Picture menu

Item	Input signal				
	Video/S-Video (Y/C)	Component	Video GBR	Computer	Network
Picture Mode	●	●	●	●	●
Contrast	●	●	●	●	●
Brightness	●	●	●	●	●
Color	●*1	●	●	—	—
Hue	●*2	●	●	—	—

Item	Input signal				
	Video/S-Video (Y/C)	Component	Video GBR	Computer	Network
Color Temperature	●	●	●	●*3	●
Sharpness	●	●	●	—	—
DDE	●	●	●	—	—
Black Level Adj.	●	●	●	—	—
Gamma Mode	—	—	●*4	●	●

● : Adjustable/can be set

— : Not adjustable/cannot be set

\*1: Except B & W

\*2: NTSC3.58 and NTSC4.43 only, except B & W

\*3: Adjustable only when the “Picture Mode” is set to “Dynamic” or “Standard”

\*4: Preset memory No. 3, 4 only

### Screen menu

Item	Input signal				
	Video/S-Video (Y/C)	Component	Video GBR	Computer	Network
Aspect	●	●	●	●	●
Over Scan	—	●	●	—	—
Adjust Signal					
APA	—	—	—	●*5	—
Phase	—	—	—	●*5	—
Pitch	—	—	—	●*5	—
Shift	—	●	●	●	—

● : Adjustable/can be set

— : Not adjustable/cannot be set

\*5: Except HDMI input or input from optional board.

## Replacing the Lamp (s)

The lamps used as a light source are a consumable product. Thus replace the exhausted lamp (Lamp 1 or 2) with a new one in the following cases.

- When the lamp has burnt out or dims
- When the message for replacement of the lamp appears.
- The LAMP/COVER indicator flashes. (Repetition rate of 3 flashes)

The lamp life varies depending on conditions of use.

Use an LMP-F271 Projector Lamp as the replacement lamp.

Use of any other lamps than the LMP-F271 may cause damage to the projector.

### Caution

The lamp remains hot after the projector is turned off with the I/⏻ key. **If you touch the lamp, you may burn your finger. When you replace the lamp, wait for at least an hour for the lamp to cool.**

### Notes

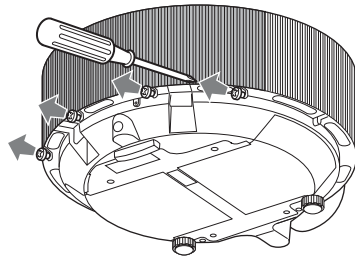
- If the lamp breaks, consult with qualified Sony personnel.
- Pull out the lamp by holding the knob. If you touch the lamp, you may be burned or injured.
- When removing the lamp, make sure it remains horizontal, then pull straight out. Do not tilt the lamp. If you pull out the lamp while it is tilted and if the lamp breaks, the pieces may scatter, causing injury.

- 1 Turn off the projector, and disconnect the AC power cord from the AC outlet.

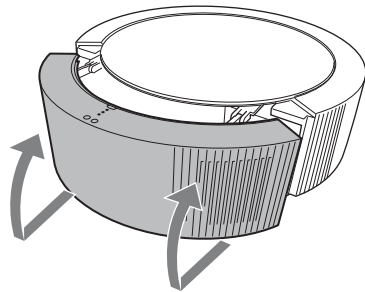
### Note

When replacing the lamp after using the projector, wait for at least an hour for the lamp to cool.

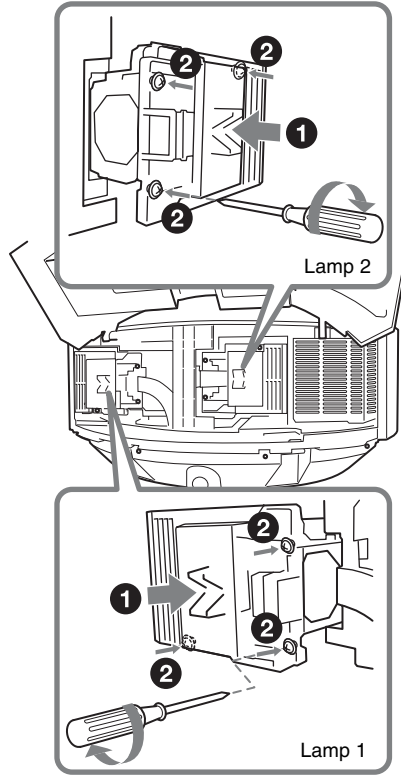
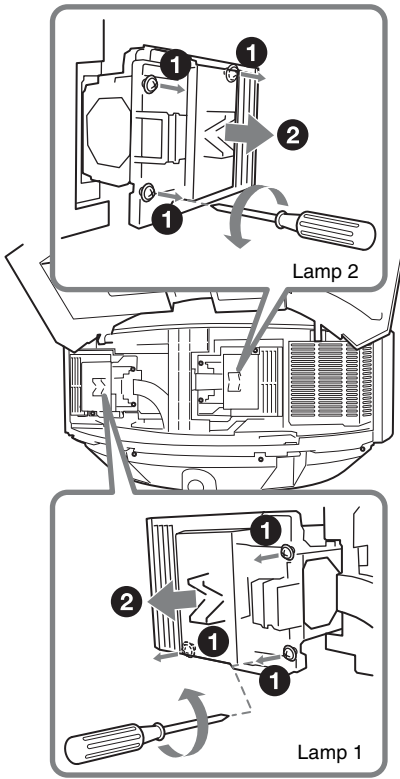
- 2 Open the lamp cover by loosening the four screws with a Phillips screwdriver.



- 3 Put your fingers in the slit under the side panel of the projector, pull it, and then tip the lamp cover up. Tip it up until it clicks to fix the cover.



- 4 Release the three silver plus screws ① of lamp 1 or lamp 2 with a Phillips screwdriver, hold the drawing knob ② between the fingers, and then draw out the lamp.



**5** Insert the new lamp **1** all the way in until it is securely in place. Tighten the three screws **2** of Lamp 1 and Lamp 2.

**Notes**

- Be careful not to touch the glass surface of the lamp.
- The power will not turn on if the lamp is not secured properly.

**6** Restore the lamp cover to the original position and tighten the four screws with the phillips screwdriver.

**Note**

Be sure to attach the lamp cover securely as it was. If not, the projector cannot be turned on.

**Caution**

Do not put your hands into the lamp replacement slot, and do not allow any liquid or other objects into the slot **to avoid electrical shock or fire.**

## Notes

- To erase a message, press any key on the control panel of the projector or on the Remote Commander.
- When you replace the lamp, be sure to replace the air filters supplied with the lamp.

### Disposal of the used lamp

#### For the customers in the USA

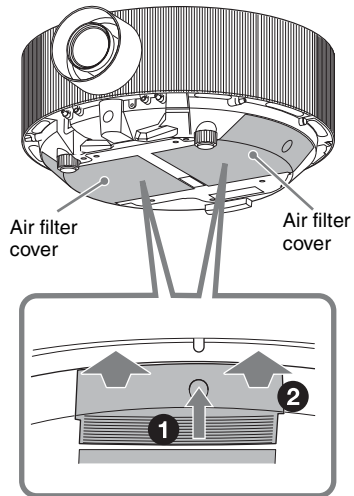
Lamp in this product contains mercury. Disposal of these materials may be regulated due to environmental considerations. For disposal or recycling information, please contact your local authorities or the Electronic Industries Alliance ([www.eiae.org](http://www.eiae.org)).

## Replacing the Air Filters

Two air filters should be replaced whenever you replace the lamp.

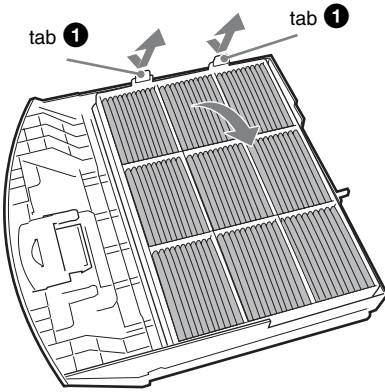
When you replace the air filters, use ones of the same included in the optional projector lamp LMP-F271. Other air filters may be a cause of trouble.

- 1** Turn the power off and unplug the power cord.
- 2** While pressing the lock button **1**, draw out two air filter covers **2**.

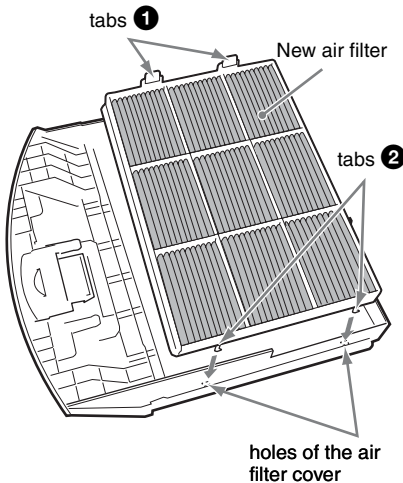




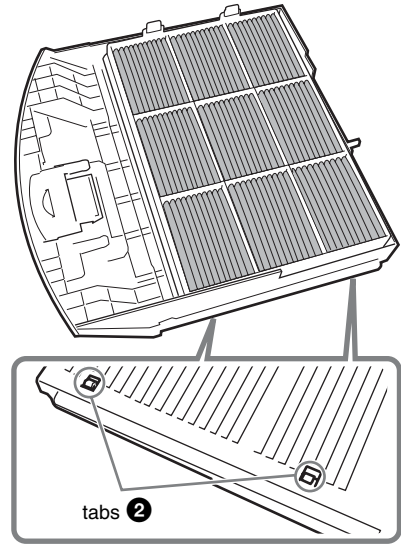
- 3 Bring tabs ① of the air filter down to the front, and then remove it by picking them up.



- 4 Insert tabs ② of the new air filter into the hole of the air filter cover (2 points), and then push down the air filter until tabs ① are secured.



- 5 Check that the air filter tabs ② are fixed to the cover, and then attach the air filter cover to the projector.



#### Caution

If you neglect to replace the air filters, dust may accumulate, clogging it. As a result, the temperature may rise inside the unit, leading to a possible malfunction or fire.

#### Notes

- When you replace an air filter, be sure to replace both air filters at the same time. Replacement of one filter may be a cause of trouble.
- Be sure to attach the air filter covers firmly; the power can not be turned on if it is not closed securely.

# Troubleshooting

If the projector appears to be operating erratically, try to diagnose and correct the problem using the following instructions. If the problem persists, consult with qualified Sony personnel.

## Power

Symptom	Cause and Remedy
The power is not turned on.	<ul style="list-style-type: none"> <li>• The power has been turned off and on with the I/⏻ key at a short interval.                             <ul style="list-style-type: none"> <li>→ Wait for about 60 seconds before turning on the power.</li> </ul> </li> <li>• The lamp cover is not secured.                             <ul style="list-style-type: none"> <li>→ Close the lamp cover securely (see page 47).</li> </ul> </li> <li>• The air filter cover is detached.                             <ul style="list-style-type: none"> <li>→ Attach the air filter cover securely (see page 48).</li> </ul> </li> <li>• The lens is not attached.                             <ul style="list-style-type: none"> <li>→ Attach the lens. Refer to the Installation Manual for Dealers for how to attach it.</li> </ul> </li> </ul>

## Picture

Symptom	Cause and Remedy
No picture.	<ul style="list-style-type: none"> <li>• A cable is disconnected or the connections are wrong.                             <ul style="list-style-type: none"> <li>→ Check that the proper connections have been made (see page 22).</li> </ul> </li> <li>• The connections are wrong.                             <ul style="list-style-type: none"> <li>→ This projector is compatible with DDC2B (Digital Data Channel 2B). If your computer is compatible with DDC, turn the projector on according to the following procedures.                                     <ol style="list-style-type: none"> <li>1 Connect the projector to the computer.</li> <li>2 Turn the projector on.</li> <li>3 Start the computer.</li> </ol> </li> </ul> </li> <li>• Input selection is incorrect.                             <ul style="list-style-type: none"> <li>→ Select the input source correctly (see page 26).</li> </ul> </li> <li>• The picture is muted.                             <ul style="list-style-type: none"> <li>→ Press the PIC MUTING key to release the picture muting (see page 17).</li> </ul> </li> <li>• The computer signal is not set to output to an external monitor or set to output both to an external monitor and a LCD monitor of a computer.                             <ul style="list-style-type: none"> <li>→ Set the computer signal to output <b>only</b> to an external monitor (see page 22).</li> </ul> </li> </ul>
The picture is noisy.	<ul style="list-style-type: none"> <li>• Noise may appear on the background depending on the combination of the number of dots input from the computer and the numbers of pixels on the LCD panel.                             <ul style="list-style-type: none"> <li>→ Change the desktop pattern on the connected computer.</li> </ul> </li> <li>• Input a video signal with the jitter.                             <ul style="list-style-type: none"> <li>→ Use a TBC (Time Base Corrector) to try to reduce video jitter.</li> </ul> </li> </ul>
The picture from the INPUT C connector is colored strangely.	<p>The setting of “Input-C Signal Sel.” in the Setup menu is incorrect.</p> <ul style="list-style-type: none"> <li>→ Select “Computer,” “Video GBR” or “Component” correctly according to the input signal (see page 39).</li> </ul>

Symptom	Cause and Remedy
“Please check Input-C Signal Sel.” appears in spite of inputting the correct signal from INPUT C.	The setting of “Input-C Signal Sel.” in the Setup menu is incorrect. → Select “Computer,” “Video GBR” or “Component” correctly according to the input signal (see page 39).
On-screen display does not appear.	“Status” in the Setup menu has been set to “Off.” → Set “Status” in the Setup menu to “On” (see page 38).
Color balance is incorrect.	<ul style="list-style-type: none"> <li>• The picture has not been adjusted properly. → Adjust the picture (see page 34).</li> <li>• The projector is set to the wrong color system. → Set “Color System” in the Setup menu to match the color system being input (see page 39).</li> </ul>
The picture is too dark.	<ul style="list-style-type: none"> <li>• Contrast or brightness has not been adjusted properly. → Adjust the contrast or brightness in the Picture menu properly (see page 34).</li> <li>• The lamp has burnt out or is dim. → Replace the exhausted lamp (see page 46).</li> </ul>
The picture is not clear.	<ul style="list-style-type: none"> <li>• The picture is out of focus. → Adjust the focus (see page 26).</li> <li>• Condensation has accumulated on the lens. → Leave the projector for about two hours with the power on.</li> </ul>
The image extends beyond the screen.	The APA key has been pressed even though there are black edges around the image. → Display the full image on the screen and press the APA key. → Adjust “Shift” in the Screen menu properly (see page 37).
The picture flickers.	“Phase” in the Screen menu has not been adjusted properly. → Adjust “Phase” in the Screen menu properly (see page 37).
Top, bottom, left and right side of the image is cut.	Screen setting is not correct. → Set the “Over Scan” of the Screen Menu to “Off.” → Adjust the position of the picture at “Shift” in “Adjust Signal” of the Screen Menu.

### Remote Commander

Symptom	Cause and Remedy
The Remote Commander does not work.	<ul style="list-style-type: none"> <li>• The Remote Commander batteries are dead. → Replace them with new batteries (see page 17).</li> <li>• The COMMAND ON/OFF switch is set to OFF. → Set it to ON.</li> <li>• The ID number of the projector assigned in “ID Mode” in the Installation menu does not match the ID number of the ID MODE keys on the Remote Commander. → Assigns the same ID number to the projector and the Remote Commander, or set “ID Mode” in the Installation menu to “All.”</li> </ul>
The control panel keys do not function.	The control panel keys are locked. → Unlock the control panel keys (see page 41).

## Others

Symptom	Cause and Remedy
The fan is noisy.	<ul style="list-style-type: none"> <li>→ Check the setting of “High Altitude Mode” in the Setup menu (see page 38).</li> <li>→ Check the ventilation holes are not blocked.</li> <li>→ Make sure the room temperature is not too high.</li> </ul> <p>To maintain the product reliability of the projector’s components, the rotation speed of the fan increases and the fan becomes slightly noisier, when the room temperature exceeds normal. The approximate normal temperature is 25°C.</p>

## Indicators

Symptom	Cause and Remedy
The LAMP/COVER indicator flashes in orange. (Repetition rate of 2 flashes)	<ul style="list-style-type: none"> <li>• The lamp cover or the air filter cover is detached.               <ul style="list-style-type: none"> <li>→ Attach the cover securely (see page 47).</li> </ul> </li> </ul>
The LAMP/COVER indicator flashes in orange. (Repetition rate of 3 flashes)	<ul style="list-style-type: none"> <li>• The lamp has reached the end of its life.               <ul style="list-style-type: none"> <li>→ Replace the lamp (see page 46).</li> </ul> </li> <li>• The lamp has reached a high temperature.               <ul style="list-style-type: none"> <li>→ Wait for 60 seconds to cool the lamp and then turn on the power again.</li> </ul> </li> </ul>
The LAMP/COVER indicator flashes in orange. (Repetition rate of 4 flashes)	The shutter fails to operate properly. <ul style="list-style-type: none"> <li>→ Consult with qualified Sony personnel.</li> </ul>
ON/STANDBY flashes in red. (Repetition rate of 2 flashes)	<ul style="list-style-type: none"> <li>• The internal temperature is unusually high.               <ul style="list-style-type: none"> <li>→ Check to see that nothing is blocking the ventilation holes.</li> </ul> </li> <li>• The projector is being used at a high altitude.               <ul style="list-style-type: none"> <li>→ Ensure that “High Altitude Mode” in the Setup menu is set to “On.”</li> </ul> </li> </ul>
ON/STANDBY flashes in red. (Repetition rate of 4 flashes)	The fan is broken. <ul style="list-style-type: none"> <li>→ Consult with qualified Sony personnel.</li> </ul>
ON/STANDBY flashes in red. (Repetition rate of 6 flashes)	Unplug the AC power cord from the wall outlet after the ON/STANDBY indicator goes out, plug the power cord to the wall outlet, and then turn the projector on again. If the ON/STANDBY flashes in red and the problem persists, the electrical system has failed. <ul style="list-style-type: none"> <li>→ Consult with qualified Sony personnel.</li> </ul>
LAMP indicator 1 (2) lights in orange.	<ul style="list-style-type: none"> <li>• The lamp must be replaced.               <ul style="list-style-type: none"> <li>→ Replace the specified lamp (Lamp 1 or 2) (see page 46).                   <ul style="list-style-type: none"> <li>* The lamp that needs to be replaced lights.</li> </ul> </li> </ul> </li> <li>• The lamp temperature has been high.               <ul style="list-style-type: none"> <li>→ Wait for more than 60 seconds so that the lamp cools, and then turn on the power again.                   <ul style="list-style-type: none"> <li>* The lamp that has fails to light is shown.</li> </ul> </li> </ul> </li> </ul>
The PIC MUTING indicator lights in orange.	The projector is in muting mode. <ul style="list-style-type: none"> <li>→ To cancel it, press the MUTING (PIC) key on the Remote commander.</li> </ul>

## Messages List

### Warning Messages

Use the list below to check the meaning of the messages displayed on the screen.

Message	Meaning and Remedy
High temp.! Lamp off in 1 min.	<p>The internal temperature is too high.</p> <ul style="list-style-type: none"> <li>→ Turn off the power.</li> <li>→ Check to see that nothing is blocking the ventilation holes.</li> </ul>
Frequency is out of range!	<ul style="list-style-type: none"> <li>• This input signal cannot be projected as the frequency is out of the acceptable range of the projector.</li> <li>• The resolution setting of the output signal of the computer is too high.</li> </ul> <p>→ Input a signal that is within the range of the frequency.</p>
Please check Input-C Signal Sel.	<p>You have input an RGB signal from the computer when “Input-C Signal Sel.” in the Setup menu is set to “Component.”</p> <p>→ Set “Input-C Signal Sel.” correctly (see page 39).</p>
Please replace the Lamp 1 (2) and Filter.	<ul style="list-style-type: none"> <li>• It is time to replace the lamp and air filters.</li> <li>→ Replace the lamp (see page 46) and air filters (see page 48).</li> <li>→ Replace the specified air filters (see page 48).</li> <li>• If this message appears again after you replace the lamp, the lamp replacement process is not complete.</li> <li>→ Check that the replaced lamp has been set properly.</li> </ul> <p><b>Note</b></p> <p>To erase a message, press any key on the control panel of the projector or on the remote commander.</p>
Error occurred on Lamp 1 (2). Only Lamp 2 (1) is lit.	<ul style="list-style-type: none"> <li>• It is time to replace the lamp.</li> <li>→ Replace the specified lamp (see page 46).</li> <li>• The lamp temperature is too high.</li> <li>→ Wait for more than 60 seconds so that the lamp cools, and then turn on the power again.</li> </ul>
Lamp 1 (2) is not set. Please set Lamp 1 (2).	<ul style="list-style-type: none"> <li>• The lamp is not set.</li> <li>→ Set the specified lamp properly (see page 46).</li> </ul>
Lamp Light Mode was changed (to Auto One Lamp mode). On next start-up, it becomes effective. Start up now? ▲ Yes ▼ No	<ul style="list-style-type: none"> <li>• The lamp lighting mode has been changed.</li> <li>→ Restart the projector, and select whether you set it to be active soon or not.</li> </ul>
The projector temperature is high. “High Altitude Mode” should be “On” if the projector is being used at high altitude.	<p>→ Check to ensure that the ventilation holes on the projector are not covered.</p> <p>→ When using the projector at high altitude, set the “High Altitude Mode” to “On” (see page 38).</p> <p><b>Note</b></p> <p>If the temperature inside the projector remains high, the “High Altitude Mode” is switched to “On” in one minute, then the fan speed increases.</p>

Message	Meaning and Remedy
Power Saving Mode is set. Projector will automatically enter Standby Mode in 1 minute. (Projector lamp will automatically cutoff in 1 minute.)	→ No signal has been input for 1 hour. Input a signal if you do not want to have the projector with Lamp off (or Standby). If you do not use this mode, set the Power Saving to off.
Two hours have passed in Shutter muting mode. The unit will shift in one minute to Standby mode if there is no key input.	→ If you want to keep this condition, press any key. To project a picture again, cancel it with the MUTING PIC key on the Remote commander.
The shutter did not work.	<ul style="list-style-type: none"> <li>• The shutter has not worked to mute the picture when “Pic. Muting Mode” is set to “Shutter”.</li> <li>→ Consult with qualified Sony personnel.</li> </ul> <p><b>Note</b></p> <p>The message will be deleted by pressing any key. Only the POWER and the MUTING PIC keys are operative in this condition.</p>

### Caution Messages

Use the list below to check the meaning of the messages displayed on the screen.

Message	Meaning and Remedy
Not applicable!	<p>You have pressed the wrong key.</p> <p>→ Press the appropriate key.</p>
The panel keys are locked!	<p>“Panel Key Lock” in the Function menu is set to “On.”</p> <p>→ All the keys on the control panel of the projector are locked. Operate the projector with the keys on the Remote Commander (see page 41).</p>

# Specifications

## Optical characteristics

Projection system	3 LCD panels, 1 lens, 3 primary color shutter system
LCD panel	VPL-FH300L: 1.2-inch 2k × 1k panel, Approx 6,640,000 pixels (2048 × 1080 × 3) VPL-FW300L: 1.2-inch WXGA panel, Approx. 3,280,000 pixels (1366 × 800 × 3)
Lamp	275 W Ultra high pressure lamp × 2
Projected picture size	40 to 600-inches (measured diagonally) (When the VPLL-Z4045 is used: 60 to 600-inch)
Light output (when attaching the standard zoom lens VPLL-Z4019)	VPL-FH300L: 6,000 lumen VPL-FW300L: 7,000 lumen (When the Lamp Mode is set to “High” and Lamp Light Mode to “Two Lamps”.)
Throwing distance (When placed on the floor and the standard zoom lens VPLL-Z4019 is attached.)	

### VPL-FH300L:

(When “Aspect” on the Signal menu is set to “Full 2” or “Full”)

40-inch:	1.7 to 2.2 m (67 to 86 <sup>5</sup> / <sub>8</sub> feet)
60-inch:	2.6 to 3.3 m (102 <sup>3</sup> / <sub>8</sub> to 130 feet)
80-inch:	3.5 to 4.4 m (137 <sup>7</sup> / <sub>8</sub> to 173 <sup>1</sup> / <sub>4</sub> feet)
100-inch:	4.3 to 5.6 m (169 <sup>3</sup> / <sub>8</sub> to 220 <sup>1</sup> / <sub>2</sub> feet)
120-inch:	5.2 to 6.7 m (204 <sup>3</sup> / <sub>4</sub> to 264 <sup>7</sup> / <sub>8</sub> feet)
150-inch:	6.6 to 8.4 m (259 <sup>7</sup> / <sub>8</sub> to 330 <sup>3</sup> / <sub>4</sub> feet)
200-inch:	8.8 to 11.2 m (346 <sup>1</sup> / <sub>2</sub> to 441 feet)
300-inch:	13.3 to 16.9 m (523 <sup>3</sup> / <sub>4</sub> to 665 <sup>1</sup> / <sub>2</sub> feet)
400-inch:	17.8 to 22.6 m (700 <sup>1</sup> / <sub>2</sub> to 889 <sup>7</sup> / <sub>8</sub> feet)
500-inch:	22.2 to 28.2 m (874 <sup>1</sup> / <sub>8</sub> to 1009 <sup>1</sup> / <sub>8</sub> feet)
600-inch:	26.7 to 33.9 m (1051 <sup>3</sup> / <sub>8</sub> to 1334 <sup>1</sup> / <sub>2</sub> feet)

### VPL-FW300L:

(When “Aspect” on the Signal menu is set to “Full 2” or “Full”)

40-inch:	1.6 to 2.1 m (63 to 82 <sup>3</sup> / <sub>4</sub> feet)
60-inch:	2.5 to 3.2 m (98 <sup>1</sup> / <sub>2</sub> to 126 feet)
80-inch:	3.4 to 4.3 m (133 <sup>7</sup> / <sub>8</sub> to 169 <sup>3</sup> / <sub>8</sub> feet)
100-inch:	4.2 to 5.4 m (165 <sup>3</sup> / <sub>8</sub> to 212 <sup>5</sup> / <sub>8</sub> feet)
120-inch:	5.1 to 6.5 m (200 <sup>7</sup> / <sub>8</sub> to 256 feet)
150-inch:	6.4 to 8.2 m (252 to 322 <sup>7</sup> / <sub>8</sub> feet)
200-inch:	8.6 to 10.9 m (338 <sup>5</sup> / <sub>8</sub> to 429 <sup>1</sup> / <sub>4</sub> feet)
300-inch:	12.9 to 16.5 m (508 to 649 <sup>3</sup> / <sub>4</sub> feet)
400-inch:	17.3 to 22.0 m (674 <sup>1</sup> / <sub>4</sub> to 866 <sup>1</sup> / <sub>4</sub> feet)
500-inch:	21.7 to 27.5 m (854 <sup>1</sup> / <sub>2</sub> to 1082 <sup>7</sup> / <sub>8</sub> feet)
600-inch:	26.0 to 33.1 m (1023 <sup>5</sup> / <sub>8</sub> to 1303 <sup>3</sup> / <sub>8</sub> feet)

There may be a slight difference between the actual value and the design value shown above.

## Electrical characteristics

Color system	NTSC3.58/PAL/SECAM/ NTSC4.43/PAL-M/PAL-N/ PAL60 system, switched automatically/manually (NTSC4.43 is the color system used when playing back a video recorded in NTSC on a NTSC4.43 system VCR.)
Resolution	VPL-FH300L: 750 horizontal TV lines (Video input) 2,048 × 1,080 dots (RGB input) VPL-FW300L: 750 horizontal TV lines (Video input) 1,366 × 800 dots (RGB input)
Acceptable computer signals <sup>1)</sup>	fH: 19 to 92 kHz fV: 24 to 92 Hz Maximum input signal resolution (Analog): UXGA 1600 × 1200 fV: 60 Hz Maximum input signal resolution (Digital): 2K × 1K 2048 × 1080 fV: 24 Hz <sup>2)</sup>

<sup>1)</sup> Set the resolution and the frequency of the signal of the connected computer within the range of acceptable preset signals of the projector.

<sup>2)</sup> When a 2K × 1K (2048 × 1080) signal is input, information of a vertical one line at both ends is

not displayed. The signal being displayed is not native. 2K × 1K equivalent.

#### Applicable video signals

15 k RGB 50/60 Hz, Progressive component 50/60 Hz, DTV (480/60i, 575/50i, 480/60p, 575/50p, 720/60p, 720/50p, 1080/60i, 1080/50i, 1080/24p, 1080/30p, 1080/60p, 1080/50p), Composite video, Y/C video

---

### Input/Output

**VIDEO IN** VIDEO: BNC jack  
Composite video: 1 Vp-p ±2 dB sync negative (75 ohms terminated)  
S VIDEO: Y/C mini DIN 4-pin type (female)  
Y (luminance): 1 Vp-p ±2 dB sync negative (75 ohms terminated)  
C (chrominance): burst 0.286 Vp-p ±2 dB (NTSC) (75 ohms terminated), burst 0.3 Vp-p ±2 dB (PAL) (75 ohms terminated)

**VIDEO OUT** VIDEO: BNC jack  
Loop-through output from the VIDEO IN connector  
S VIDEO: Y/C mini DIN 4-pin type (female)  
Loop-through output from the S VIDEO IN connector

**INPUT A/B** Analog RGB: HD D-sub 15-pin (female)  
R: 0.7 Vp-p ±2 dB (75 ohms terminated)  
G: 0.7 Vp-p ±2 dB (75 ohms terminated)  
B: 0.7 Vp-p ±2 dB (75 ohms terminated)  
HD: Horizontal sync input: TTL level, high impedance, positive/negative  
VD: Vertical sync input: TTL level, high impedance, positive/negative

**INPUT C** Analog RGB/component: 5BNC (female)  
R/R-Y: 0.7 Vp-p ±2 dB (75 ohms terminated)  
G: 0.7 Vp-p ±2 dB (75 ohms terminated)  
G with sync/Y: 1 Vp-p ±2 dB sync negative (75 ohms terminated)

(Except computer signals)  
B/B-Y: 0.7 Vp-p ±2 dB (75 ohms terminated)  
HD:  
Horizontal sync input: TTL level, high impedance, positive/negative  
VD:  
Vertical sync input: TTL level, high impedance, positive/negative

**INPUT D** Digital RGB/Y Cb (Pb) Cr (Pr): HDMI

**INPUT E** Connecting an optional board

**INPUT F** NETWORK  
RJ-45: 10BASE-T/100BASE-TX

**OUTPUT** MONITOR OUT: HD D-sub 15-pin (female)  
R, G, B: Gain Unity: 75 ohms  
HD, VD: 4 Vp-p (open), 1 Vp-p (75 ohms)

**REMOTE CONTROL S** RS-232C: D-sub 9 pin (female)  
IN/PLUG IN POWER  
Stereo minijack

---

### General

**Dimensions** 699 × 298 × 785 mm (27<sup>5</sup>/<sub>8</sub> × 11<sup>3</sup>/<sub>4</sub> × 31 inches) (w/h/d) (including the projection parts)

**Mass** Approx. 30.5 kg (67 lb 4 oz)

**Power requirements** AC 100 to 240 V, 8.2 to 3.3 A, 50/60 Hz

**Power consumption** Max. 820 W (in standby (standard): 30 W in standby (low): 0.5 W)

**Heat dissipation** 2798 BTU

**Operating temperature** 0°C to 35°C (32°F to 95°F)

**Operating humidity** 35% to 85% (no condensation)

**Storage temperature** -20°C to +60°C (-4°F to +140°F)

**Storage humidity** 10% to 90%

**Supplied accessories** Remote Commander (1)  
Size AA (R6) batteries (2)  
Lens hole cover (1)  
AC power cord (1)  
Dust cover (1)



CD-ROM (Operating Instructions,  
Installation Manual,  
Application Software) (1)  
Quick Reference Manual (1)  
Safety Regulations (1)  
Security Label (1)  
AC connector cover (1)  
HDMI connector cover (1)

Design and specifications are subject to change without notice.

### Note

Always verify that the unit is operating properly before use. SONY WILL NOT BE LIABLE FOR DAMAGES OF ANY KIND INCLUDING, BUT NOT LIMITED TO, COMPENSATION OR REIMBURSEMENT ON ACCOUNT OF THE LOSS OF PRESENT OR PROSPECTIVE PROFITS DUE TO FAILURE OF THIS UNIT, EITHER DURING THE WARRANTY PERIOD OR AFTER EXPIRATION OF THE WARRANTY, OR FOR ANY OTHER REASON WHATSOEVER.

## Optional accessories

### Projector Lamp

LMP-F271 (for replacement,  
included two air-filters)

### Projector Suspension Support

PSS-630

### Projector Suspension Support Joint Pole

PSS-630P

### HD-SDI/SDI input adaptor

BKM-FW16

### Presentation Tool

RM-PJPK1

### Projection Lense

Fixed short focus lens VPLL-4008  
(for rear projection (Optical  
Axis Angle: 0 degree))  
F=2.0  
f=22.15 mm  
Manual focus

Projection screen size  
40 to 600-inches

Projection distance: VPL-FH300L  
(VPL-FW300L)  
100 inches: 1,790 mm  
(1,750 mm)  
200 inches: 3,660 mm  
(3,570 mm)  
300 inches: 5,530 mm  
(5,390 mm)

Maximum external dimensions  
(W × H × D)

148 × 133 × 240 mm

Weight

2,550 g

### Short focus zoom lens VPLL-Z4015

F=2.2 to 2.6

f=39.76 to 54.27 mm

Electric focus /zoom

Projection screen size

40 to 600-inches

Projection distance: VPL-FH300L  
(VPL-FW300L)

100 inches: 3,340 to 4,410 mm  
(3,250 to 4,290 mm)

200 inches: 6,790 to 8,920 mm  
(6,610 to 8,690 mm)

300 inches: 10,240 to 13,430  
mm (9,980 to 13,090 mm)

Maximum external dimensions (W  
× H × D)

148 × 133 × 231 mm

Weight

3,000 g

### Standard zoom lens VPLL-Z4019

F=1.7 to 2.1

f=52.14 to 68.57 mm

Electric focus /zoom

Projection screen size

40 to 600-inches

Projection distance: VPL-FH300L  
(VPL-FW300L)

100 inches: 4,340 to 5,550 mm  
(4,230 to 5,410 mm)

200 inches: 8,810 to 11,220 mm  
(8,590 to 10,940 mm)

300 inches: 13,280 to 16,900  
mm (12,940 to 16,470 mm)

Maximum external dimensions  
(W × H × D)

148 × 133 × 212 mm

Weight

3,060 g

### Middle focus zoom lens VPLL-Z4025

F=2.2 to 3.1

f=64.59 to 124.11 mm

Electric focus /zoom

Projection screen size

40 to 600-inches

Projection distance: VPL-FH300L  
(VPL-FW300L)

100 inches: 5,450 to 10,110 mm  
(5,310 to 9,850 mm)

200 inches: 11,060 to 20,370  
mm (10,780 to 19,850 mm)

300 inches: 16,680 to 30,620  
mm (16,250 to 29,860 mm)

Maximum external dimensions  
(W × H × D)

148 × 133 × 243mm

Weight

2,800g

Long focus zoom lens VPLL-Z4045

F=2.2 to 3.6

f=119.3 to 217.1 mm

Electric focus /zoom

Projection screen size

60 to 600-inches

Projection distance: VPL-FH300L

(VPL-FW300L)

100 inches: 10,050 to 17,400

mm (9,800 to 16,970 mm)

200 inches: 2,0310 to 35,030

mm (19,800 to 34,160 mm)

300 inches: 30,570 to 52,660

mm (29,810 to 51,350 mm)

Maximum external dimensions

(W × H ×D)

148 × 133 × 235 mm

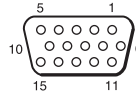
Weight3,000 g

*Some of the items may not be available in some areas. For details, please consult your nearest Sony dealer.*

## Pin assignment

### INPUT A/B

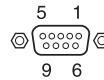
**RGB connector (HD D-sub 15-pin, female)**



1	R	9	Power supply input for DDC
2	G	10	GND
3	B	11	GND
4	GND	12	DDC/SDA
5	GND	13	HD
6	GND (R)	14	VD
7	GND (G)	15	DDC/SCL
8	GND (B)		

### REMOTE

**RS-232C connector (D-sub 9 pin, female)**



1	NC	6	NC
2	RXDA	7	RTS
3	TXDA	8	CTS
4	DTR	9	NC
5	GND		

## Preset signals

Memory No.	Preset signal		fH (kHz)	fV (Hz)	Sync	Analog signals	Digital signals
1	Video 60 Hz	Video 60 Hz	15.734	59.940	–	●	
2	Video 50 Hz	Video 50 Hz	15.625	50.000	–	●	
3	480/60i	DTV 480/60i	15.734	59.940	S on G/Y	●	●
4	575/50i	DTV 575/50i	15.625	50.000	S on G/Y	●	●
5	480/60p	480/60p (NTSC Progressive component)	31.470	60.000	S on G/Y	●	●
6	575/50p	575/50p (PAL Progressive component)	31.250	50.000	S on G/Y	●	●
7	1080/60i	1035/60i, 1080/60i	33.750	60.000	S on G/Y	●	●
8	1080/50i	1080/50i	28.130	50.000	S on G/Y	●	●
10	720/60p	720/60p	45.000	60.000	S on G/Y	●	●
11	720/50p	720/50p	37.500	50.000	S on G/Y	●	●
12	1080/60p	1080/60p	67.500	60.000	S on G/Y		●
13	1080/50p	1080/50p	56.260	50.000	S on G/Y		●
14	1080/24p	1080/24p	26.973	23.976	S on G/Y		●
15	1080/30p	1080/30p	33.750	29.970	S on G/Y		●
21	640 × 350	VGA mode 1 (VGA 350)	31.469	70.086	H-pos, V-neg	●	
22		VESA 85 (VGA 350)	37.861	85.080	H-pos, V-neg	●	
23	640 × 400	NEC PC 98	24.823	56.416	H-neg, V-neg	●	
24		VGA mode 2 (TEXT)/VESA 70	31.469	70.086	H-neg, V-pos	●	
25		VESA 85 (VGA 400)	37.861	85.080	H-neg, V-pos	●	
26	640 × 480	VESA 60	31.469	59.940	H-neg, V-neg	●	●
27		Mac 13	35.000	66.667	H-neg, V-neg	●	
28		VESA 72	37.861	72.809	H-neg, V-neg	●	
29		VESA 75 (IBM M3)	37.500	75.000	H-neg, V-neg	●	
30		VESA 85 (IBM M4)	43.269	85.008	H-neg, V-neg	●	

Others

Memory No.	Preset signal		fH (kHz)	fV (Hz)	Sync	Analog signals	Digital signals
31	800 × 600	VESA 56	35.156	56.250	H-pos, V-pos	●	
32		VESA 60	37.879	60.317	H-pos, V-pos	●	●
33		VESA 72	48.077	72.188	H-pos, V-pos	●	
34		VESA 75 (IBM M5)	46.875	75.000	H-pos, V-pos	●	
35		VESA 85	53.674	85.061	H-pos, V-pos	●	
36	832 × 624	Mac 16	49.724	74.550	H-neg, V-neg	●	●
37	1024 × 768	VESA 60	48.363	60.004	H-neg, V-neg	●	●
38		VESA 70	56.476	70.069	H-neg, V-neg	●	
39		VESA 75	60.023	75.029	H-pos, V-pos	●	
40		VESA 85	68.677	84.997	H-pos, V-pos	●	
41	1152 × 864	VESA 70	63.995	70.019	H-pos, V-pos	●	
42		VESA 75	67.500	75.000	H-pos, V-pos	●	
43		VESA 85	77.487	85.057	H-pos, V-pos	●	
45	1280 × 960	VESA 60	60.000	60.000	H-pos, V-pos	●	●
46		VESA 75	75.000	75.000	H-pos, V-pos	●	
47	1280 × 1024	VESA 60	63.974	60.013	H-pos, V-pos	●	●
48		VESA 75	79.976	75.025	H-pos, V-pos	●	
49		VESA 85	91.146	85.024	H-pos, V-pos	●	
50	1400 × 1050	VESA 60	65.317	59.978	H-neg, V-pos	●	●
51	1600 × 1200	VESA 60	75.000	60.000	H-pos, V-pos	●	
55	1280 × 768	1280 × 768/60	47.776	59.870	H-neg, V-pos	●	●
56	1280 × 720	1280 × 720/60	44.772	59.855	H-neg, V-pos	●	

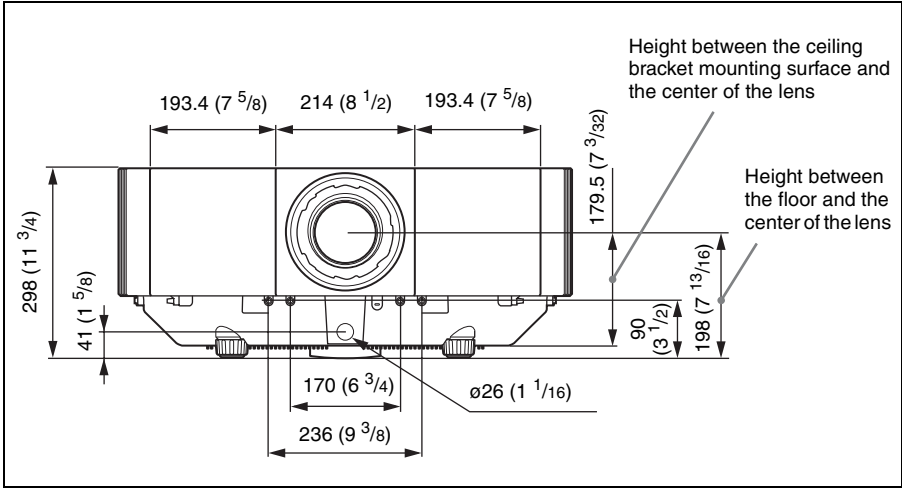
Memory No.	Preset signal		fH (kHz)	fV (Hz)	Sync	Analog signals	Digital signals
60	1360 × 768	1360 × 768/60	47.720	59.799	H-neg, V-pos	●	●
61	1440 × 900	1440 × 900/60	55.935	59.887	H-neg, V-pos	●	●
62	1680 × 1050	1680 × 1050/60	65.290	59.954	H-neg, V-pos	●	●
63	1280 × 800	1280 × 800/60	49.702	59.810	H-neg, V-pos	●	●

**Note**

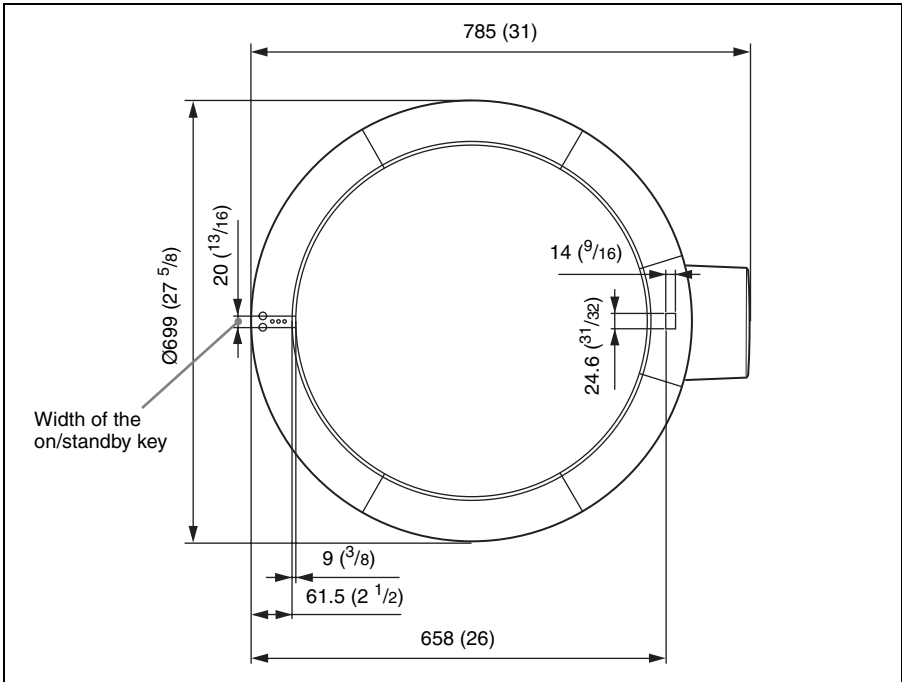
When a signal other than the preset signals shown above is input, the picture may not be displayed properly.

# Dimensions

## Front

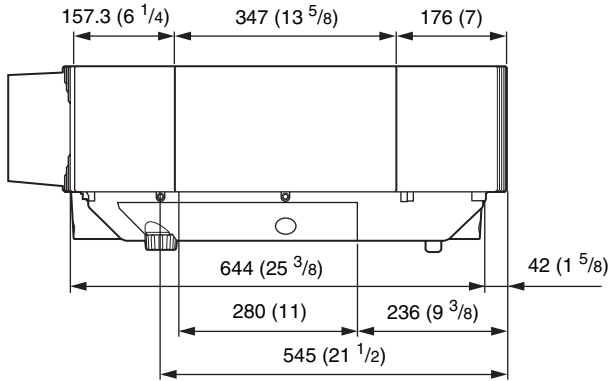
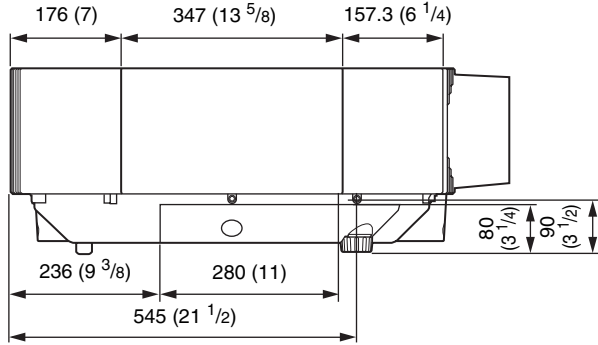


## Top



Unit: mm (inches)

Side



Unit: mm (inches)

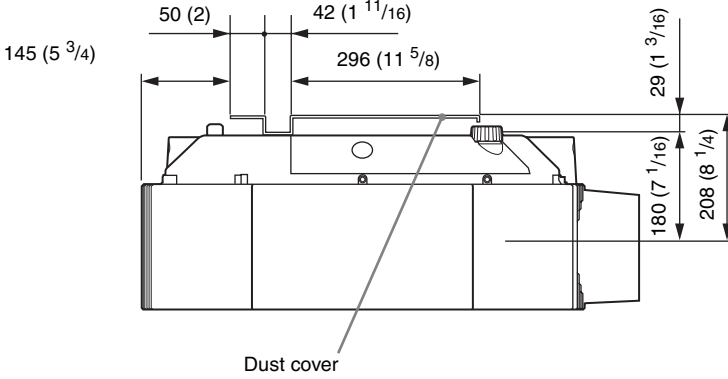
Others



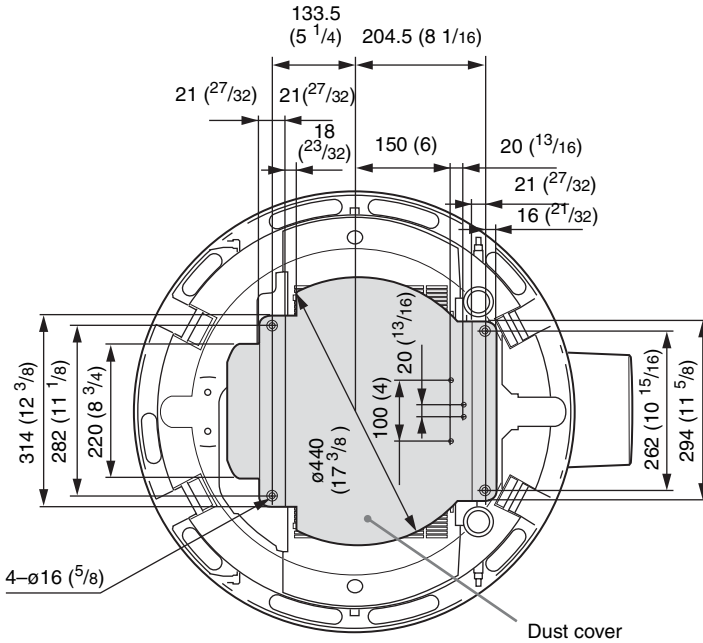


With dust cover attached

Side



Bottom



Others

Unit: mm (inches)

---

# Index

## A

Adjust Signal	
APA .....	37
Phase .....	37
Pitch .....	37
Shift .....	37
Air filters Replacement .....	48
Aspect .....	36
Auto Input Search .....	40

## B

Background .....	40
Batteries .....	17
Black Level Adj. ....	35
Brightness .....	34

## C

Color .....	34
Color System .....	39
Color Temp. ....	34
Connecting a computer .....	21
Connecting a VCR .....	24
Connector covers .....	21
Contrast .....	34

## D

DDE .....	35
Dimensions .....	62
Direct Power On .....	43

## F

fH .....	44
fV .....	44

## G

Gamma Mode .....	35
------------------	----

## H

HDMI connector cover .....	23
High Altitude Mode .....	38
Hue .....	34

## I

ID Mode .....	43
Illumination .....	43

Image Flip .....	42
Input-C Signal Sel. ....	39
Installation .....	19
Installation examples	
unsuitable conditions .....	7
unsuitable installation .....	6
IR Receiver .....	43

## L

Lamp Light Mode .....	42
Lamp Mode .....	42
Lamp replacement .....	46
Lamp Timer .....	44
Language .....	38
selecting the menu language .....	28
Lens .....	12
Lens Control .....	42
Location and function of controls	
connector panel .....	15
control panel .....	13
Remote Commander .....	16

## M

Menu	
clearing the menu display .....	33
Function menu .....	40
Information menu .....	44
Installation menu .....	42
Picture menu .....	34
Screen menu .....	36
Setup menu .....	38
using the menu .....	32
Message List	
caution .....	54
warning .....	53

## O

Optional accessories .....	57
Over Scan .....	36

## P

Panel Key Lock .....	41
PIC Muting Mode .....	38
Picture Mode .....	34
Pin assignment .....	58
Power Saving .....	39
Power turn off .....	27
Precautions .....	5
Projecting .....	25

## R

Remote Commander .....	16
location and function of controls .....	16
rear remote control detector .....	12
Reset .....	34
resetting an item .....	33

## S

Screen size .....	19, 20
Security bar .....	12
Security Lock .....	41
Sharpness .....	35
Smart APA .....	40
Specifications .....	55
Standby Mode .....	38
Start Up Image .....	38
Status .....	38
Supplied accessories .....	56

## T

Test Pattern .....	40
Troubleshooting .....	50

## V

V Keystone .....	42
------------------	----

