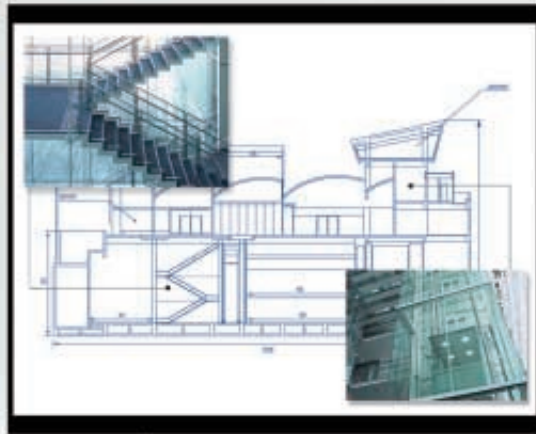


MULTIMEDIA DATA/VIDEO PROJECTORS



Brightness **3100lm**

High Resolution **SXGA+**

Long Life Lamp **5000hrs**
with lamp low mode



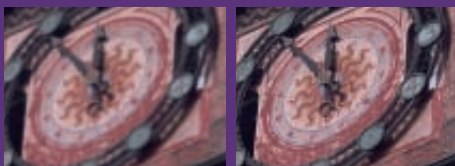
HL650U

PORTABLE SXGA+ PROJECTOR

Stellar presentations, with the high-resolution SXGA+.

Our panel takes brightness to 3100lm

The new-generation panel, with inorganic orientation film and normally black. Because high contrast via normally black and inorganic orientation film requires no lubing process, immaculate brightness of 3100lm is realized with crystal-clear picture quality void of vertical stripe noise. What's more, packing twice the service life of organic orientation film, our stingy degradation ensures enjoyment of high-quality images for the long run.



XGA SXGA+

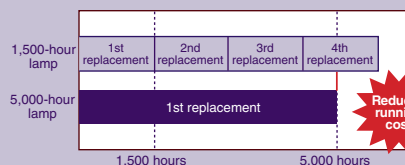
Long Life Lamp ~ Maximum 5,000 hours

Supported by our optimum design for light source lamp temperature control, maximum light source lamp use soars to 5,000 hours.*1 This makes dramatic reductions in running cost, while likewise slashing replacement hassle for the light source lamp as a consumable part.*2

(*1): When used at the low lamp mode. Maximum lamp life at standard mode use is 2,000 hours. (*2): Lamp life refers to the average time required for brightness to be reduced by half, and not the time specified in the warranty. Use time may vary widely by the environment and conditions, and whether or not cleaning and other maintenance procedures are followed.

Lamp Replacement Frequency*

(*): Lamp life refers to the average time required for brightness to be reduced by half, and not the time specified in the warranty.



Lamp Side Replacement

The lamp may be removed from the side of the projector unit. This simplifies replacement without turning the projector around or over when suspended from the ceiling or resting on a shelf.



Security Anchor

A robust key-lock chain may be passed through the projector hook. This reliable anti-theft measure helps prevent unauthorized removal of the projector unit from the premises.



Note: Mitsubishi Electric cannot accept responsibility for thefts occurring despite use of this safety feature.



HL650U

PORTABLE SXGA+ PROJECTOR



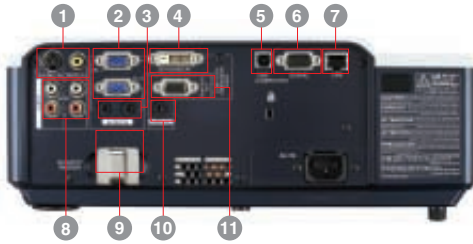
Specifications

Model	HL650U
Display technology	0.8"3-LCD(with Micro Lens)
Resolution	1400X1050(total 1,470,000 pixels), 600video lines
Brightness	3100lm
Contrast	600 : 1(on/off)
Projection lens	f=24-29mm, F1.7-1.9
Picture Size	40"~300"(100"=3.0~3.6m)
Source lamp	220W (Shut Off Time 5000Hrs) with Low Mode 261W (Shut Off Time 2000Hrs)
Computer compatibility	640X480~1600X1200 True: 1400X1050, Sync on green available
Video compatibility	NTSC/NTSC4.43/PAL(including PAL-M, N)/SECAM/PAL-60, Component Video: 480i/p(525i/p),576i/p(625i/p),720p (750p 50/60Hz),1080i(1125i 50/60Hz),SCART(RGB+1V sync)
PC input terminals	PC: mini D-sub 15pinX2, DVI-D(with HDCP)X1, Audio: stereo mini (ø3.5)X2
Video input terminals	Video: RCAX1, S-videoX1, Audio: RCA (L,R)X2
Output terminals	Monitor Out: mini D-sub 15pinX1, Audio: stereo mini (ø3.5)X2
Communication terminals	LAN(RJ-45)X1,RS-232C(D-Sub 9 pin)X1, USB terminal for mouse controlX1
Audio speaker	3W mono
Fan noise	29dB
Dimension(WXHXD)	333X125X272mm (excluding height adjustment)
Weight	4.9kg / 10.8lbs
Power supply	AC100 - 240V, 50/60Hz
Optional lamp	VLT-XL650LP

*All brand names and product names are trademarks, registered trademarks or trade names of their respective holders.

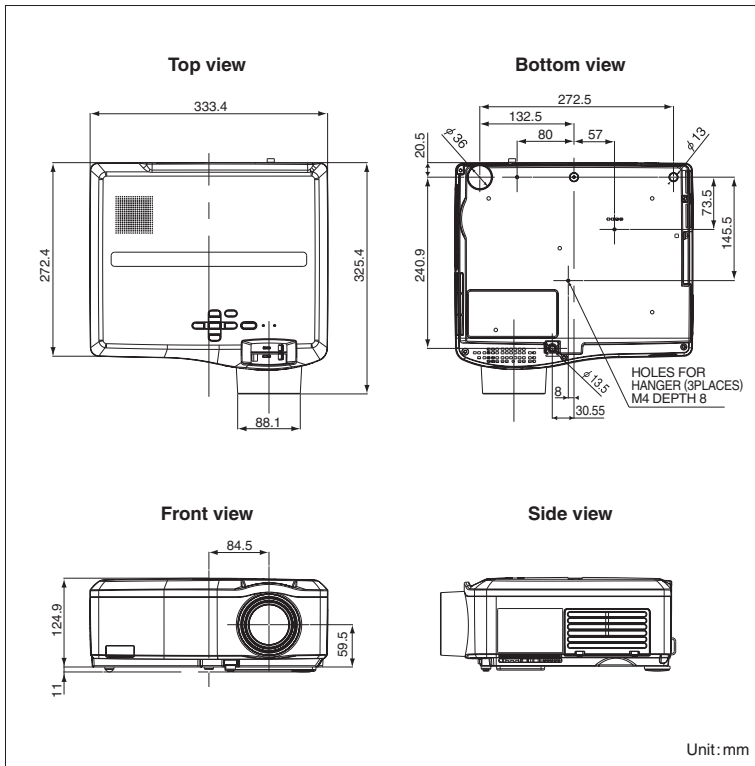
Input and Output Terminals

Enhanced terminal group realizes a versatile range of presentations.



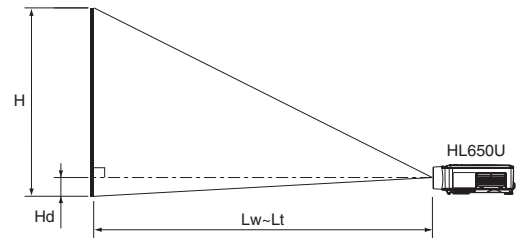
- ① S-Video / Video input
- ② PC / Component Video input(mini D-sub 15pin)
- ③ PC / Audio input
- ④ DVI-D(with HDCP) input
- ⑤ USB terminal for mouse control
- ⑥ Serial RS-232C(D-sub 9pin)
- ⑦ LAN(RJ-45)
- ⑧ Video / Audio input
- ⑨ Security Anchor
- ⑩ Audio output
- ⑪ Monitor output

Dimensions



Screen size and Projection distance

As seen from the side



Screen size chart (4:3 aspect ratio)

Screen		Distance from screen (L)				Height projected image (Hd)					
Diagonal size	Width (W)	Height (H)	Maximum Zoom	Minimum Zoom	inch	cm					
40	102	32	81	24	61	46	1.2	56	1.4	2.4	6
60	152	48	122	36	91	70	1.8	85	2.2	3.6	9
80	203	64	163	48	122	94	2.4	114	2.9	4.8	12
100	254	80	203	60	152	118	3.0	142	3.6	6.0	15
150	381	120	305	90	229	177	4.5	215	5.5	9.0	23
200	508	160	406	120	305	237	6.0	287	7.3	12.0	31
250	635	200	508	150	381	297	7.5	359	9.1	15.0	38
300	762	240	610	180	457	357	9.1	-	-	18.0	46

The above numbers are approximate, and may be slightly different from the actual measurements.

Option



Lamp
VLT-XL650LP

MITSUBISHI ELECTRIC CORPORATION
HEAD OFFICE : TOKYO BLDG., 2-7-3, MARUNOUCHI, CHIYODA-KU, TOKYO 100-8310, JAPAN

To find out more about HL650U and our projectors, visit us at

Global.MitsubishiElectric.com/projectors/