

MULTIMEDIA PROJECTORS

CP-X328 XGA
CP-S318 SVGA

HITACHI
Inspire the Next



- 2,000 ANSI Lumens, 2.7kg (6 lbs.)
- Full Connectivity
- Easy and Flexible Keystone Adjustment
- My Screen
- Wide Angle Lens
- Quiet 33dB



CP-S318 SVGA



CP-X328 XGA



Multi-purpose projectors with superior overall performance!

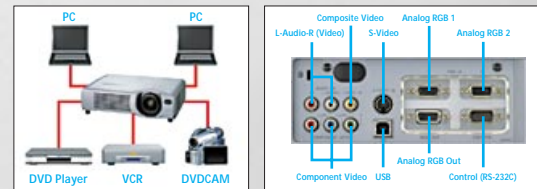


Brightness of 2,000 ANSI lumens with light weight of 2.7kg (6 lbs.)

Full Connectivity

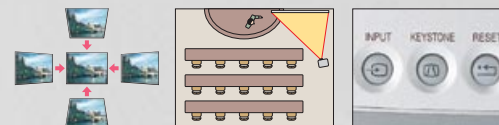
2 RGB inputs, so you can connect 2 PCs at one time and easily switchover 3 video inputs.

*HDTV: 750p (720p), 1125i (1080i/1035i); SDTV: 525i (480i), 625i (575i)



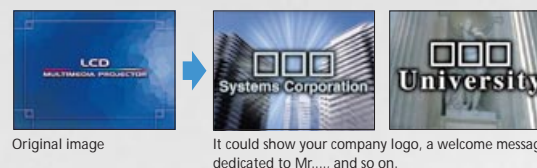
Easy and Flexible Keystone Adjustment

Vertical and horizontal keystone correction allows greater flexibility for use in restricted spaces. The projector itself has a keystone adjustment button for easy operation.



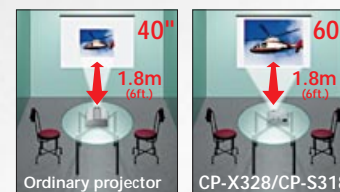
"My Screen"

Capture any desired Image from a PC or video source and customize it as a selected still image for blank screen or initial screen use.



Wide Angle Lens

For example, provides a large 60" screen display at a projection distance of only 1.8m (6ft.). You can display images about twice as big as ordinary projectors.



Whisper mode lowers fan noise to only 33dB

*Standard mode operating noise is 38dB. Brightness in Whisper mode is approximately 20% lower.

Remote Mouse Function

A convenient function that lets you operate a mouse by using the remote control.

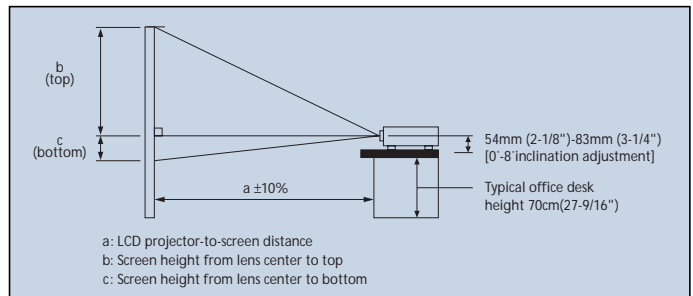
16:9 and 4:3 aspect ratio compatibility

CP-S318/CP-X328

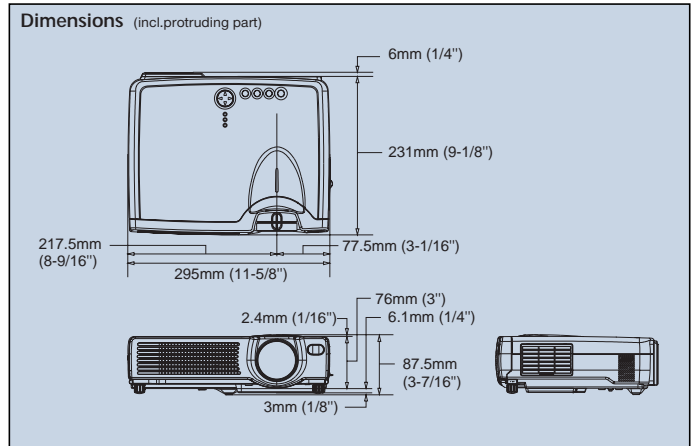
Specifications

Model name	CP-S318	CP-X328
Liquid crystal panel structure	0.7" polysilicon active-matrix TFT x 3	
Number of pixels	480,000 pixels (V600 x H800)	786,432 pixels (V768 x H1,024)
Resolution	800 x 600 color pixels	1,024 x 768 color pixels
Frequency	f _H [kHz]	15-91
	f _V [Hz]	50-120
Lens	Manual Zoom (F=1.7-1.9) 1 : 1.2	
Lamp	150W UHB	
Brightness	2,000 ANSI Lumens	
Contrast ratio	400 : 1	350 : 1
Speakers	1W x 1	
Power supply	AC100-120V/AC220-240V	
Power consumption	240W	
Operating temperature	0-35°C (32-95°F)	
Input signals	RGB input	VGA, SVGA, XGA, SXGA, UXGA, MAC13", MAC16"
	Video input	NTSC, NTSC4.43, PAL, PAL60, SECAM, M-PAL, N-PAL, HDTV: 750p (720p), 1125i (1080i/1035i) SDTV: 525i (480i), 525p (480p), 625i (575i)
Input/output terminals	Video input	S-Video: Mini DIN 4-pin terminal x 1 Composite video: RCA jack terminal x 1 Component video: RCA jack terminal x 3 Audio: RCA jack terminal x 2 (L/R)
	RGB input	Analog RGB: D-sub 15-pin shrink terminal x 2
	Output	Analog RGB: D-sub 15-pin shrink terminal x 1
	Control terminal	D-sub 15-pin shrink terminal x 1
Agency Certifications	UL60950/C-UL, ClassB, EN60950 (TUV), CE, AS/NZS3548 ClassB	
Dimensions (WxHxD)	295 x 76 x 231mm (11-5/8" x 3" x 9-1/8") [excl. protruding part]	
Weight	2.7kg (6 lbs.)	
Standard accessories	Remote control, Power cord, RGB cable, Video cable (for video/audio), Soft case, 8-language operator's manual	

• Design and specifications are subject to change without notice.
 • The comparison photos in this catalog are simulations.
 • LCD panels, polarizers and other optical components and cooling fans may need replacement after prolonged usage.
 For more details, please consult the Hitachi sales representative listed below.



Screen Size (inch)	a Min	a Max	b (top)	c (bottom)
30	0.9m (35")	1.1m (42")	44cm (17")	2cm (1")
40	1.2m (47")	1.4m (56")	58cm (23")	3cm (1")
50	1.5m (59")	1.8m (71")	73cm (29")	4cm (1")
60	1.8m (71")	2.2m (85")	87cm (34")	4cm (2")
70	2.1m (83")	2.5m (100")	102cm (40")	5cm (2")
80	2.4m (95")	2.9m (114")	116cm (46")	6cm (2")
90	2.7m (107")	3.3m (129")	131cm (51")	7cm (3")
100	3.0m (119")	3.6m (143")	145cm (57")	7cm (3")
120	3.6m (143")	4.4m (172")	174cm (69")	9cm (3")
150	4.6m (180")	5.5m (216")	218cm (86")	11cm (4")
200	6.1m (240")	7.3m (288")	290cm (114")	15cm (6")
250	7.6m (300")	9.2m (361")	363cm (143")	18cm (7")
300	9.2m (360")	11.0m (433")	435cm (171")	22cm (9")



Hitachi, Ltd. Digital Media Division (Yokohama Plant) has received ISO 14001 certification.



051

HITACHI

Hitachi Europe Ltd.

Whitebrook Park, Lower Cookham Road, Maidenhead, Berkshire, SL6 8YA, UK
 Tel: +44-1628-643000 Fax: +44-1628-643404 www.hitachidigitalmedia.com

Hitachi America, Ltd. Digital Media Division

Hitachi Plaza 2000 Sierra Point Parkway, Brisbane, CA 94005-1835, U.S.A.
 Tel: +1-800-HITACHI Fax: +1-650-244-7776 www.hitachi.com/digitalmedia

Hitachi Canada Ltd.

6740 Campobello Road, Mississauga, Ontario L5N2L8, Canada
 Tel: +1-905-821-4545 Fax: +1-905-821-1011 www.hitachi.ca

Hitachi Home Electronics Asia (S) Pte. Ltd.

16 Collyer Quay #31-00 Hitachi Tower, Singapore 049318
 Tel: +65-6536-2520 Fax: +65-6536-2521 www.hitachimultimedia.com.sg

Hitachi Sales (Malaysia) Sdn. Bhd.

Wisma Hitachi, No.2, Lorong 13/6A, 46200 Petaling Jaya, Selangor Darul Ehsan, Malaysia
 Tel: +60-3-79573455 Fax: +60-3-79556090

Hitachi Sales (Thailand), Ltd.

994, 996 Sol Thonglor, Sukhumvit 55 Road, Klongton, Klongtoey, Bangkok 10110, Thailand
 Tel: +66-2-381-8381 Fax: +66-2-381-9520

Hitachi (Hong Kong), Ltd.

18th Floor, Ever Gain Centre, 28 On Muk Street, Shatin, N.T., Hong Kong
 Tel: +852-2113-8883 Fax: +852-2780-4178 www.hitachi-multimedia.com.hk

Hitachi Sales Corp. of Taiwan

2nd Floor, No.65, Nanking East Road, Section 3, Taipei, Taiwan
 Tel: +886-2-2516-0500 Fax: +886-2-2516-1501

Hitachi Australia Ltd.

Level 3, 82 Waterloo Road, North Ryde, NSW 2113, Australia
 Tel: +61-2-9888-4100 Fax: +61-2-9888-4188 www.hitachi.com.au