

Data Projector

Quick Reference Manual _____

GB

VPL-ES4

VPL-EX4

About the Quick Reference Manual

This Quick Reference Manual explains the connections and basic operations of this unit, and gives notes on operations and information required for maintenance. For details on the operations, refer to the Operating Instructions contained in the supplied CD-ROM. For safety precautions, refer to the separate "Safety Regulations."

Using the CD-ROM Manuals

The supplied CD-ROM contains Operating Instructions and ReadMe file in Japanese, English, French, Spanish, German, Italian and Chinese. First, refer to the ReadMe file.

Preparations

To read the Operating Instructions in the CD-ROM, Adobe Acrobat Reader 5.0 or later is required. If the Adobe Acrobat Reader is not installed in your computer, you can download free Acrobat Reader software from URL of Adobe Systems.

To read the Operating Instructions

The Operating Instructions are contained in the supplied CD-ROM. Insert the supplied CD-ROM into the CD-ROM drive of your computer, and the CD-ROM will start automatically after a while. Select the Operating Instructions you want to read. The CD-ROM may not start automatically depending on the computer. In this case, open the Operating Instructions file as follows:

(In case of Windows)

- ① Open "My Computer."
- ② Right-click the CD-ROM icon and select "Explorer."
- ③ Double-click "index.htm" file and select the Operating Instructions you want to read.

(In case of Macintosh)

- ① Double-click the CD-ROM icon on the desk top.
- ② Double-click "index.htm" file and select the Operating Instructions you want to read.

Note

If you cannot open "index.htm" file, double-click on the Operating Instructions you want to read from among those in "Operating_Instructions" folder.

On trademarks

- Windows is a registered trademark of Microsoft Corporation in the United States and/or other countries.
- Macintosh is a registered trademark of Apple Computer, Inc. in the United States and/or other countries.
- Adobe and Acrobat Reader is a registered trademark of Adobe Systems Incorporated in the United States and/or other countries.

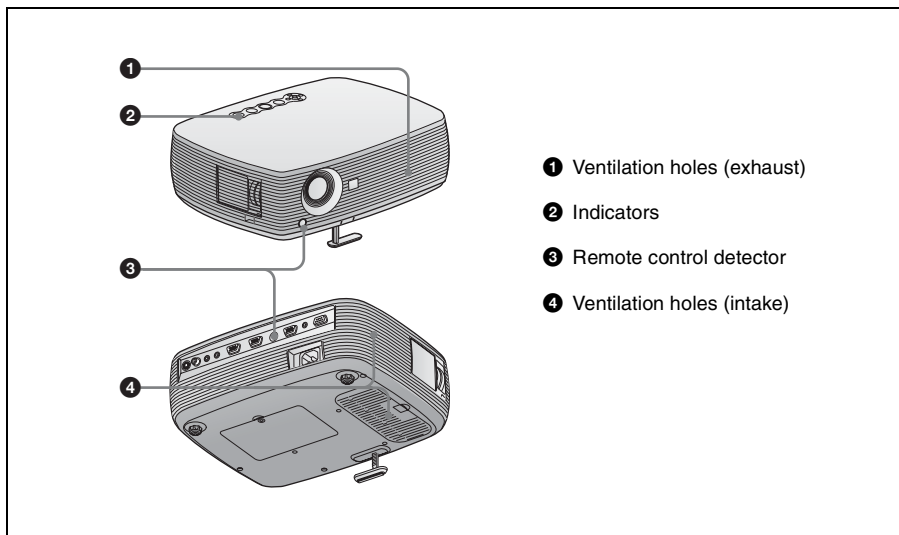
Notes on Use

Note on the Ventilation Holes

Do not block ventilation holes (exhaust/intake). If they are blocked, internal heat may build up and cause fire or damage to the unit.

Check the positions of the ventilation holes shown in the following illustrations.

For other precautions, read the separate “Safety Regulations” carefully.



Projecting

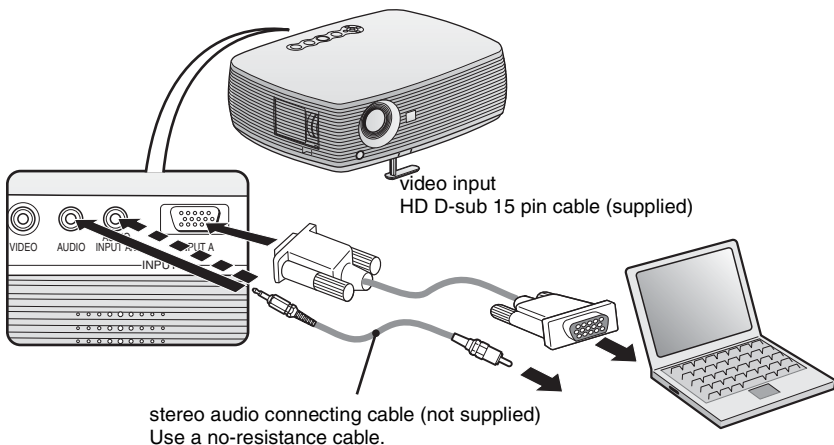
Connecting the Projector

When you connect the projector, make sure to:

- Turn off all equipment before making any connections.
- Use the proper cables for each connection.
- Insert the cable plugs firmly. When pulling out a cable, be sure to pull it out from the plug, not the cable itself.

Refer also to the instruction manual of the computer to be connected.

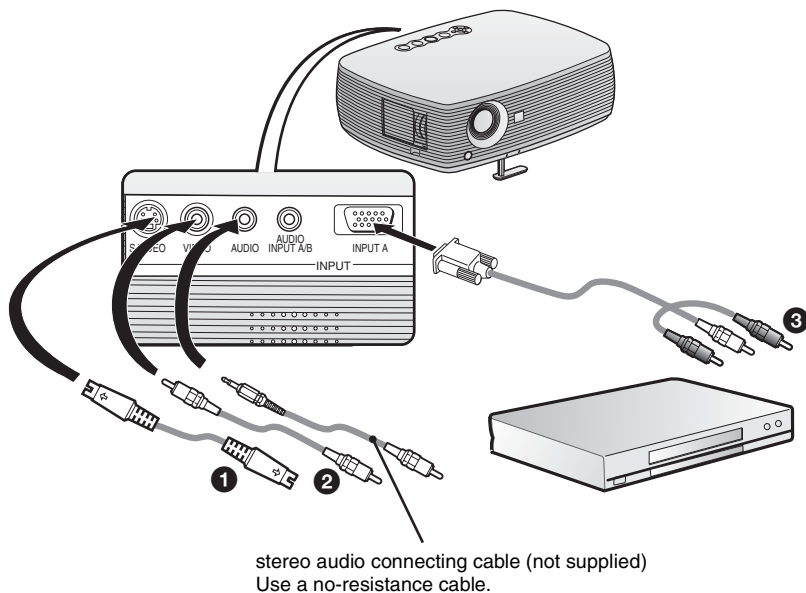
Connecting with a computer



Note

For stereo audio connection, connect the stereo audio connecting cable to the AUDIO connector for VPL-ES4, or to the AUDIO INPUT A/B connector for VPL-EX4.

Connecting with a VCR/DVD player



For video signal connections, the following three connecting options are available:

- ❶ S video (Mini DIN 4-pin)* cable (not supplied)
- ❷ Composite video (phono plug)* cable (not supplied)
- ❸ Component (D-sub 15-pin ↔ 3 × phono plug)* cable (not supplied)

Note

If connection ❸ is made with VPL-EX4, connect the stereo audio connecting cable to the AUDIO INPUT A/B connector.

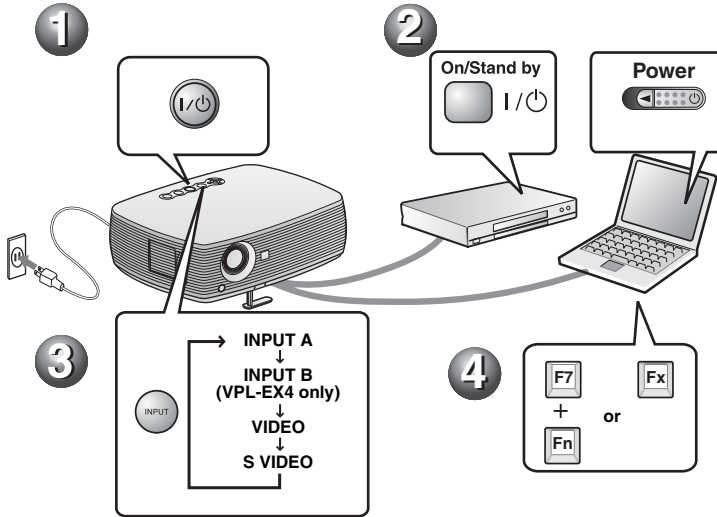
If connection ❸ is made, you may have to select the input signal with the “Input-A Signal Sel.” in the SET SETTING menu. For details, see the Operating Instructions contained in the CD-ROM.

Projecting

Before connecting the equipments, plug the AC power cord into a wall outlet.

- 1 Press the I/⏻ (on/standby) key.
- 2 Turn on the equipment connected to the projector.
- 3 Press the INPUT key to select the input source.
- 4 When the computer is connected, set it to output the signal to only the external monitor.

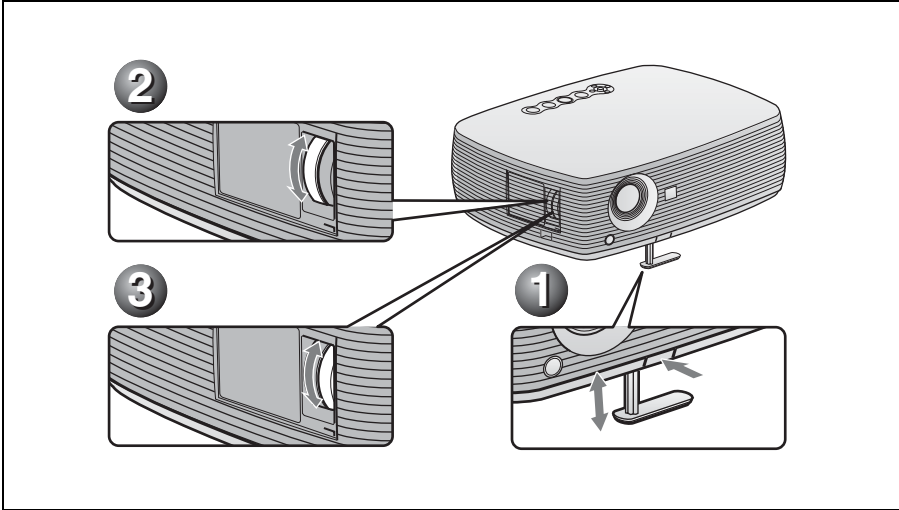
Connecting with a computer



Adjusting the Projector

- 1 Adjust the position of the picture.
- 2 Adjust the size of the picture.
- 3 Adjust the focus.

The projector is equipped with the PICTURE SETTING menu to select the picture mode, and the INPUT SETTING menu to select the appropriate aspect ratio of the picture. For details, see the Operating Instructions contained in the CD-ROM.

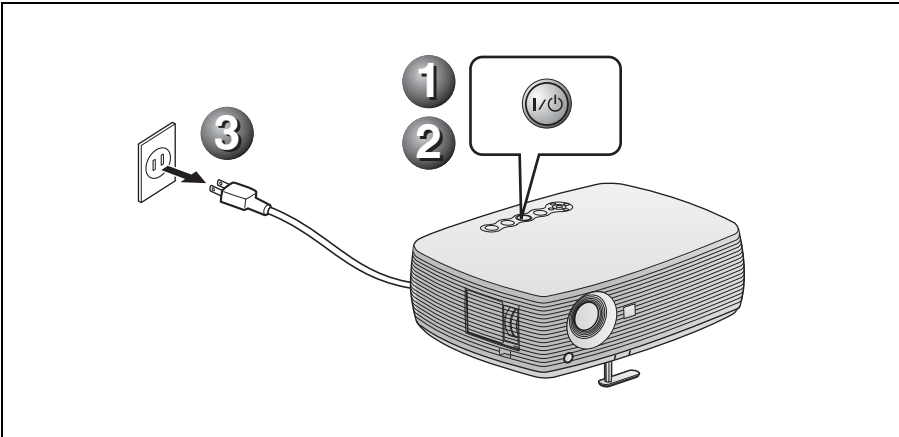


Turning off the Power

- 1 Press the I/⏻ (on/standby) key.
- 2 When a message appears, press the I/⏻ (on/standby) key again.
- 3 Unplug the AC power cord from the wall outlet after the fan has stopped running and the ON/STANDBY indicator has lit in red.

Note

Do not unplug the AC cord while the fan is still running; otherwise, the fan will stop even though the internal heat is still high, which could result in a breakdown of the projector. When transporting or storing the projector, put away the adjuster in the projector.



Replacing the Lamp

The lamp used as a light source is consumable product. Thus, replace the lamp with a new one in the following cases.

- When the lamp has burnt out or dims
- “Please replace the Lamp.” appears on the screen
- The LAMP/COVER indicator lights up (repeats flashing three times)

The lamp life varies depending on conditions of use.

Use an LMP-C162 Projector Lamp as the replacement lamp.

Use of any other lamps than the LMP-C162 may cause damage to the projector.

Caution

The lamp remains hot after the projector is turned off with the I/⏻ key. **If you touch the lamp, you may burn your finger. When you replace the lamp, wait for at least an hour for the lamp to cool.**

Notes

- **If the lamp breaks, consult with qualified Sony personnel.**
- Pull out the lamp by holding the handle. If you touch the lamp, you may be burned or injured.
- When removing the lamp, make sure it remains horizontal, then pull straight up. Do not tilt the lamp. If you pull out the lamp while it is tilted and if the lamp breaks, the pieces may scatter, causing injury.
- When canceling the message, press one of the key on the remote commander or on the control panel.

- 1 Turn off the projector, and disconnect the AC power cord from the AC outlet.

Note

When replacing the lamp after using the projector, wait for at least an hour for the lamp to cool.

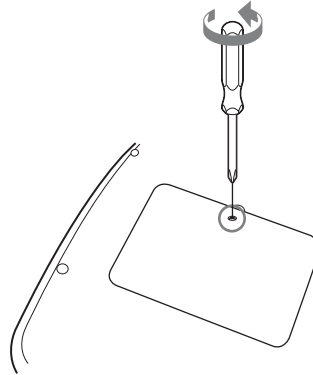
- 2 Place a protective sheet (cloth) beneath the projector. Turn the

projector over so you can see its underside.

Note

Be sure that the projector is stable after turning it over.

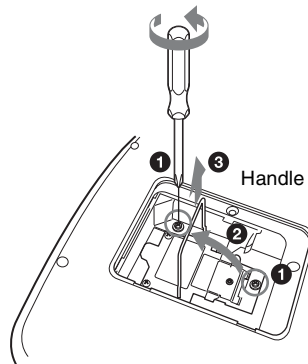
- 3 Open the lamp cover by loosening the screw with a Phillips screwdriver.



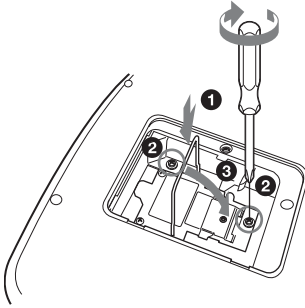
Note

For safety reasons, do not loosen any other screws.

- 4 Loosen the two screws on the lamp unit with the Phillips screwdriver (1). Fold out the handle (2), then pull out the lamp unit by the handle (3).



- 5 Insert the new lamp all the way in until it is securely in place (1). Tighten the two screws (2). Fold down the handle to replace it (3).



Notes

- Be careful not to touch the glass surface of the lamp.
- The power will not turn on if the lamp is not secured properly.

- 6 Close the lamp cover and tighten the screw.

Note

Be sure to attach the lamp cover securely as it was. If not, the projector cannot be turned on.

- 7 Turn the projector back over.

- 8 Connect the power cord.
The ON/STANDBY indicator around the I/⏻ key lights in red.

- 9 Press the following keys on the Remote Commander in the following order for less than five seconds each: RESET, ◀, ▶, ENTER.

To assure reception of signals from the Remote Commander, press each key at intervals of 1 to 5 seconds. If the interval is less than 1 second, the projector may not receive the signal from the Remote Commander.

When resetting of the lamp timer has been done correctly, the red ON/

STANDBY indicator around the I/⏻ key turns off for a moment.

Caution

Do not put your hands into the lamp replacement slot, and do not allow any liquid or other objects into the slot **to avoid electrical shock or fire**.

Disposal of the used lamp

For the customers in the USA

Lamp in this product contains mercury. Disposal of these materials may be regulated due to environmental considerations. For disposal or recycling information, please contact your local authorities or the Electronic Industries Alliance (www.eiae.org).

(Hg) Lamp contains mercury. Dispose according to local, state and federal laws.

Cleaning the Air Filter

The air filter should be cleaned every 500 hours.

Remove dust from the outside of the ventilation holes with a vacuum cleaner. 500 hours are approximate. This value varies depending on the environment or how the projector is used.



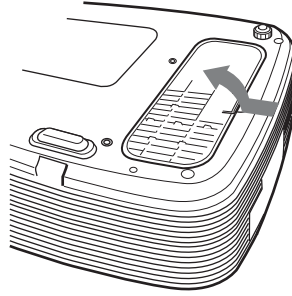
When it becomes difficult to remove the dust from the filter with a vacuum cleaner, remove the air filter and wash it.

- 1 Turn the power off and unplug the power cord.
- 2 Place a protective sheet (cloth) beneath the projector and turn the projector over.

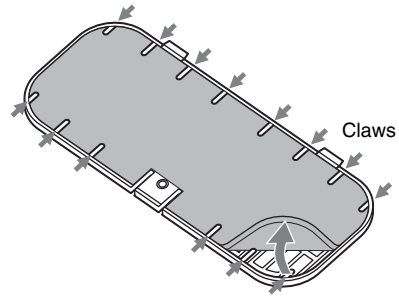
Note

Be sure that the projector is stable after turning it over.

- 3 Remove the air filter cover.



- 4 Remove the air filter.



- 5 Wash the air filter with a mild detergent solution and dry it in a shaded place.
- 6 Attach the air filter so that it fits into the each claws (14 positions) on the air filter covers and replace the cover.

Notes

- If you neglect to clean the air filter, dust may accumulate, clogging it. As a result, the temperature may rise inside the unit, leading to a possible malfunction or fire.
- Be sure to attach the air filter cover firmly; the power can not be turned on if it is not closed securely.
- The air filter has a face and a reverse side. Place the air filter so that it fits in a notch on the air filter cover.
- To erase a message, press any key on the control panel of the projector or on the remote commander.

Troubleshooting

If the projector appears to be operating erratically, try to diagnose and correct the problem using the following instructions. If the problem persists, consult with qualified Sony personnel. For details on the symptoms, see the Operating Instructions contained in the CD-ROM.

Power/Picture

Symptom	Cause and Remedy
The power is not turned on.	<ul style="list-style-type: none"> • The power has been turned off and on with the I/⏻ key at a short interval. <ul style="list-style-type: none"> → Wait for about 45 seconds before turning on the power . • The lamp cover is not secured. <ul style="list-style-type: none"> → Close the lamp cover securely. • The air filter cover is detached. <ul style="list-style-type: none"> → Attach the air filter cover securely.
No picture.	<ul style="list-style-type: none"> • A cable is disconnected or the connections are wrong. <ul style="list-style-type: none"> → Check that the proper connections have been made. • The connections are wrong. <ul style="list-style-type: none"> → This projector is compatible with DDC2B (Digital Data Channel 2B). If your computer is compatible with DDC, turn the projector on according to the following procedures. <ol style="list-style-type: none"> 1 Connect the projector to the computer. 2 Turn the projector on. 3 Start the computer. • Input selection is incorrect. <ul style="list-style-type: none"> → Select the input source correctly using the INPUT key. • The computer signal is not set to output to an external monitor or set to output both to an external monitor and a LCD monitor of a computer. <ul style="list-style-type: none"> → Set the computer signal to output only to an external monitor. → Depending on the type of your computer, for example a notebook, or an all-in-one LCD type, you may have to switch the computer to output to the projector by pressing certain keys or by changing your computer's settings. <p>For details, refer to the computer's operating instructions supplied with your computer.</p>
The picture is noisy.	<p>Noise may appear on the background depending on the combination of the number of dots input from the connector and the numbers of pixels on the LCD panel.</p> <ul style="list-style-type: none"> → Change the desktop pattern on the connected computer.
The picture from the INPUT A connector is colored strangely.	<p>The input signal cannot be received at "Auto" of "Input-A Signal Sel" on the SET SETTING menu, or the setting of "Input-A Signal Sel" is incorrect.</p> <ul style="list-style-type: none"> → Selects "Computer", "Video GBR" or "Component" correctly according to the input signal.
The picture is not clear.	<ul style="list-style-type: none"> • The picture is out of focus. <ul style="list-style-type: none"> → Adjust the focus. • Condensation has accumulated on the lens. <ul style="list-style-type: none"> → Leave the projector for about two hours with the power on.

Symptom	Cause and Remedy
The image extends beyond the screen.	The APA key has been pressed even though there are black edges around the image. → Display the full image on the screen and press the APA key. → Adjust “Shift” on the INPUT SETTING menu properly.
The picture flickers.	“Dot Phase” on the INPUT SETTING menu has not been adjusted properly. → Adjust “Dot Phase” on the INPUT SETTING menu properly.

Indicators

Indicators	Status and Remedy
The LAMP/COVER indicator flashes in orange. (Repetition rate of 2 flashes)	<ul style="list-style-type: none"> The lamp cover or the air filter cover is detached. → Attach the cover securely.
The LAMP/COVER indicator flashes in orange. (Repetition rate of 3 flashes)	<ul style="list-style-type: none"> The lamp has reached the end of its life. → Replace the lamp. The lamp has reached a high temperature. → Wait for 60 seconds to cool the lamp and then turn on the power again.
ON/STANDBY flashes in red. (Repetition rate of 2 flashes)	<ul style="list-style-type: none"> The internal temperature is unusually high. → Check to see that nothing is blocking the ventilation holes. The projector is being used at a high altitude. → Ensure that “High Altitude Mode” in the Setup menu is set to “On.”
ON/STANDBY flashes in red. (Repetition rate of 4 flashes)	The fan is broken. → Consult with qualified Sony personnel.
ON/STANDBY flashes in red. (Repetition rate of 6 flashes)	Unplug the AC power cord from the wall outlet after the ON/STANDBY indicator goes out, plug the power cord to the wall outlet, and then turn the projector on again. If the ON/STANDBY flashes in red and the problem persists, the electrical system has failed. → Consult with qualified Sony personnel.

Specifications

Projection system	3 LCD panels, 1 lens, projection system
LCD panel	VPL-ES4: 0.63-inch SVGA panel, 1,440,000 pixels (480,000 pixels × 3) VPL-EX4: 0.63-inch XGA panel, 2,360,000 pixels (786,432 pixels × 3)
Lens	1.2 times zoom lens VPL-ES4: f 18.8 to 22.6 mm/F1.6 to 1.94 VPL-ES4: f 18.9 to 22.7 mm/F1.6 to 1.90
Lamp	165 W Ultra high pressure lamp
Projected picture size	40 to 300 inches (measured diagonally)
Light output	VPL-ES4: 2200 lm VPL-EX4: 2100 lm (When the Lamp Mode is set to "High.")
Throwing distance (When placed on the floor.)	40-inch: 1.2 to 1.4 m (3.9 to 4.6 feet) 80-inch: 2.3 to 2.8 m (7.5 to 9.2 feet) 100-inch: 2.9 to 3.6 m (9.5 to 11.8 feet) 150-inch: 4.4 to 5.4 m (14.4 to 17.7 feet) 200-inch: 5.9 to 7.2 m (19.4 to 23.6 feet) 250-inch: 7.3 to 9.0 m (24 to 29.5 feet) 300-inch: 8.8 to 10.7 m (28.9 to 35.1 feet)
There may be a slight difference between the actual value and the design value shown above.	
Color system	NTSC _{3.58} /PAL/SECAM/ NTSC _{4.43} /PAL-M/PAL-N/ PAL60 system
Acceptable computer signals	fH: 19 to 92 kHz fV: 48 to 92 Hz (Maximum input signal resolution: SXGA+ 1400 × 1050 fV: 60 Hz)
Applicable video signals	15 k RGB 50/60 Hz, Progressive component 50/60 Hz, DTV (480/60i, 575/50i, 480/60p, 575/50p, 720/60p, 720/50p,

	1080/60i, 1080/50i), Composite video, Y/C video
Dimensions	308 × 98 × 267 mm (12 1/4 × 3 7/8 × 10 5/8 inches) (w/h/d) (without projecting parts)
Mass	Approx. 3 kg (6 lb 10 oz)
Power requirements	AC 100 to 240 V, 2.2 to 1.0 A, 50/60 Hz
Power consumption	Max. 220 W in standby: 5 W
Supplied accessories	Remote Commander (1) Lithium battery CR2025 (1) HD D-sub 15 pin cable (1.8 m) (1) (1-832-428-11, SONY) Carrying case (1) AC power cord (1) Operating instructions (CD-ROM) (1) Quick Reference Manual (1) Safety Regulations (1) Security Label (1)

Design and specifications are subject to change without notice.

Note

Always verify that the unit is operating properly before use. SONY WILL NOT BE LIABLE FOR DAMAGES OF ANY KIND INCLUDING, BUT NOT LIMITED TO, COMPENSATION OR REIMBURSEMENT ON ACCOUNT OF THE LOSS OF PRESENT OR PROSPECTIVE PROFITS DUE TO FAILURE OF THIS UNIT, EITHER DURING THE WARRANTY PERIOD OR AFTER EXPIRATION OF THE WARRANTY, OR FOR ANY OTHER REASON WHATSOEVER.

Optional accessories

Projector Lamp
LMP-C162 (for replacement)

Some of the items may not be available in some areas. For details, please consult your nearest Sony dealer.