



**MITSUBISHI
ELECTRIC**

MITSUBISHI HOME THEATER PROJECTOR

Changes for the Better

Put Movies on the Big Screen, And Savor Bigger Contentment. Mitsubishi Projectors.

Opt for high-definition picture quality.



HC4900



HDMI™
HIGH DEFINITION MULTIMEDIA INTERFACE

- ▲ Full high-definition (1920 x 1080) Equipped with new-generation liquid crystal panel
- ▲ With the Mitsubishi original auto-iris in place, high contrast soars to a maximum of 7500:1
- ▲ Quietest Fan in its Class, at 19dBA*(at low mode)
- ▲ The lamp boasts a 5000-hour service life (at low mode), and can be replaced from the side of the projector
- ▲ 1.6-power short-focus motor-drive zoom/focus
- ▲ Complete with ED (extra-low dispersion) glass lens
- ▲ All-direction motor-drive lens shift, greatly enhances set-up ease
- ▲ HDMI terminal
- ▲ Trigger terminal

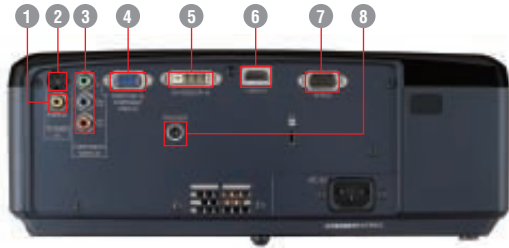


Illuminated remote control unit



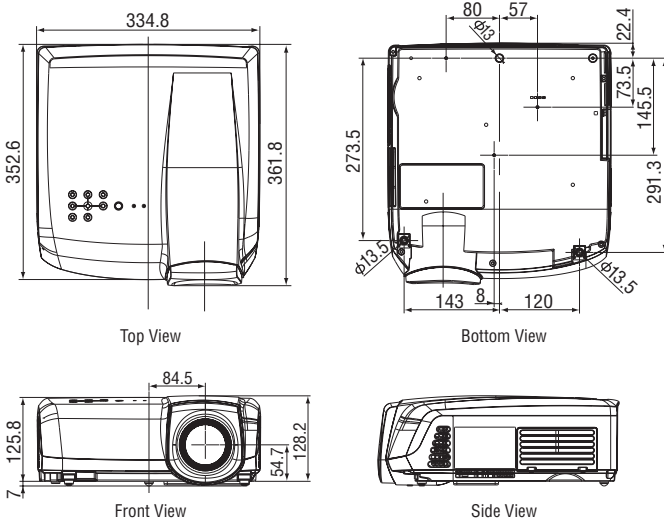
HOME THEATER PROJECTOR HC4900

Input and Output terminals



- 1 Video In
- 2 S-Video
- 3 Component (Y,Pb/Cb,Pr/Cr)
- 4 RGB/Component In x1
- 5 DVI-D In (with HDCP)
- 6 HDMI x1
- 7 RS-232C
- 8 Trigger Out

Dimensions



Specifications

Model		HC4900	
Projection system		Transmissive liquid crystal system	
Panel specs	Panel size	0.74 type X3 Aspect ratio 16:9	
	Number of pixels	1920 X 1080	
	Drive system	3 primary color liquid crystal shutter system	
	Array	Stripe pattern	
Optical specs	Lens	Zoom/focus (Lens shift) f (mm)	
	Light source lamp	Mortorized operation (V)±75%, (H)Screen Width±5% 23.5 - 37.6	
	Optical system	160W	
		Mirror color separation / prism synthesis system	
Iris / Color wheel spec		auto-iris	
Picture size (inches)		50 - 300	
Images	Brightness (lm)	1000	
	Contrast ratio	7500:1 (on/off) with iris operation	
	Resolution	PC input VGA (640 X 480) - SXGA (1280 X 1024) (compressed)	
	Scanning frequency	Horizontal (kHz) Vertical (Hz)	
Input signal system		Video NTSC, NTSC4.43, PAL (including PAL-M,N), SECAM, PAL-60 480i/p, 576i/p, 1080i 60/50, 1080p 60/50/24, 720p	
Input	PC	PC/AT compatible machines, MAC	
	Video	Analog RGB	Mini D-sub15 pin 1 terminal
		Digital RGB	HDMI/DVI-D(HDCP) 1 terminal each
		Composite	RCA terminal 1 terminal
		S	S-Video terminal 1 terminal
		Component	RCA terminal 1 terminal (Component can be also input to Mini D-sub15 pin)
Serial / RS-232C standard	1 terminal (D-sub9 pin)		
Functions	Function/other	Gamma mode 3 patterns + 2 users	
	Trapezoidal distortion correction	Vertical keystone Horizontal keystone N/A	
	Power supply voltage	AC100-240V 50/60Hz	
	Power consumption (W)	250	
	Weight (kg)	5.6	
	Main unit dimensions	Width (mm)	334
		Depth (mm)	352
Height (mm)		125	
Fan noise	19dBA (Lamp Low Mode)		
Other	Supplied accessories	AC power cable, remote control unit, AA-size batteries, RGB signal cable, RS-232C cable, User's manual, User's manual CD, Safety manual	

*VGA, SXGA is a registered trademark of IBM Corporation of the United States.
*DarkChip2 is a trademark of Texas Instruments.

Options

Lamp	VLT-HC5000LP
------	--------------

MITSUBISHI ELECTRIC CORPORATION
HEAD OFFICE : TOKYO BLDG., 2-7-3, MARUNOUCHI, CHIYODA-KU, TOKYO 100-8310, JAPAN

To find out more about HC4900 and our projectors, visit us at

Global.MitsubishiElectric.com/projectors/