

DIGITAL PROJECTOR

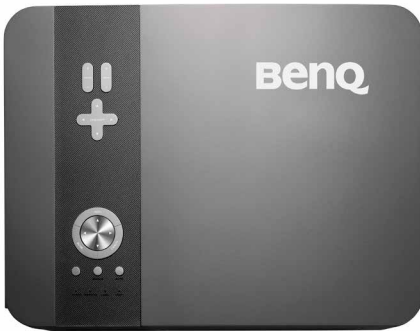
PX9510



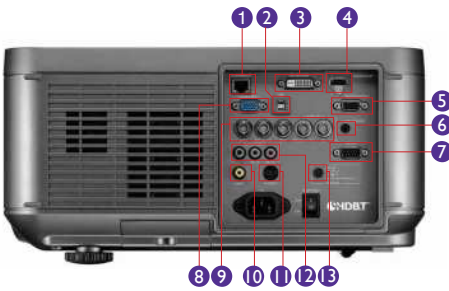
*lens is not included

Features

- Native XGA (1024 x 768) Resolution
- 6,500 ANSI Lumens, 2,800:1 Contrast Ratio
- HDBaseT, HDMI
- Powered Focus, Zoom & Lens Shift
- 7 Optional Lenses
- Interchangeable Color Wheels
- 360 degree projection



Input and Output Terminals - Left Side View



- | | |
|-----------------------------|-----------------------------------|
| 1 LAN (RJ45) | 8 Computer 1 in (D-sub 15pin) |
| 2 USB (Type Mini B) | 9 Computer 2 in (5BNC, R/G/B/H/V) |
| 3 DVI-D in | 10 Video |
| 4 HDMI | 11 Component Video in (Y/Pb/Pr) |
| 5 Monitor out (D-sub 15pin) | 12 S-Video in (Mini Din 4 pin) |
| 6 Wired Remote | 13 12V Trigger |
| 7 RS232 (DB-9pin) | |

Specifications

Projection System	DLP®	
Native Resolution	XGA (1024x768)	
Brightness	6,500 AL (Dual lamp, standard lens)	
Contrast Ratio	2,800:1	
Display Color	1.07 Billion Colors	
Lens (Lens not included)	F2.5,f=5.1mm	
Aspect Ratio	Native 4:3 (5 aspect ratio selectable)	
Image Size (Diagonal)	80"~500"	
Lamp Type	280W x 2	
Lamp (Normal/Economic Mode)*	2500/3500 hours	
Keystone Adjustment	Horizontal / Vertical ± 30 degrees	
Resolution Support	VGA(640 x 480) to WUXGA_RB(1920 x 1200)	
Horizontal Frequency	31K~92KHz	
Vertical Scan Rate	23~85Hz	
Compatibility	HDTV Compatibility: 480i, 480p, 576i, 576p, 720p, 1080i, 1080p Video Compatibility: NTSC, PAL, SECAM	
Interface	Computer 1 in (D-sub 15pin)	x 1
	Computer 2 in (5BNC, R/G/B/H/V)	x 1
	Monitor out (D-sub 15pin)	x 1
	HDMI	x 1 (Compatible with HDCP)
	DVI-D in	x 1 (Compatible with HDCP)
	Component Video in (Y/Pb/Pr)	x 1
	Composite Video in (RCA)	x 1
	S-Video in (Mini Din 4 pin)	x 1
	HDBaseT	x 1 (Share with LAN)
	LAN (RJ45)	x 1 (LAN Control)
	USB (Type B)	x 1 (Download)
	12V Trigger	x 1
	RS232 (DB-9pin)	x 1
Wired Remote	x 1	
IR Receiver	x 2 (Front+Rear)	
Dimensions (WxHxD)	19.8" x 7.6" x 15.1"	
Weight	36.3 lbs (Without lens)	
Power Supply	AC100 to 240 V, 50/60 Hz	
Power Consumption	AC100V, 710W (Standby Power <0.5W)	
Audible Noise	39/34/35/32 db (Dual lamp normal/Dual lamp eco/Single lamp normal/Single lamp eco)	
Languages	(12 Languages)	
Picture Mode	Bright / Presentation / Cinema	
Accessories (Standard)	Remote Control without Battery, 6 Segments Color Wheel, Power Cord, User Manual CD, Quick Start Guide, Warranty Card, VGA(D-sub 15pin) Cable	
Accessories (Optional)	Spare Lamp Kit P/N: 5J.JAM05.001 Ceiling Mount P/N: 5J.JCY10.001	
UPC / Part #	8400460-3237-1 / P/N: 9H.JDK77.26E	
Limited Warranty	3 Years Parts/Labor; 1 Year or 2,000 hours of lamp life	

*Lamp life results will vary depending on environmental conditions and usage. Actual product's features and specifications are subject to change without notice.

BenQ Lens	P/N	Lens (optional)	Throw Ratio	Zoom Ratio	Lens Shift (Powered)
Wide Fix	5J.JAM37.011	F=1.85, f=11.6mm	0.79:1	Fixed	NA
Ultra Wide	5J.JAM37.061	F=1.96~2.3,	0.77~0.97:1	1.25:1	0-45% Vertical; +10% Horizontal
Wide Zoom	5J.JAM37.021	F=1.85~2.5, f=18.7~26.5mm	1.3~1.85:1	1.41:1	0-50% Vertical; +10% Horizontal
Standard	5J.JAM37.001	F=1.64~1.86, f=26~34mm	1.79~2.35:1	1.3:1	0-50% Vertical; +10% Horizontal
Semi Long	5J.JAM37.051	F=1.86~2.48, f=32.9~54.2mm	2.3~3.81:1	1.65:1	0-50% Vertical; +10% Horizontal
Long Zoom1	5J.JAM37.031	F=1.86~2.41, f=52.8~79.1mm	3.71~5.57:1	1.5:1	0-50% Vertical; +10% Horizontal
Long Zoom2	5J.JAM37.041	F=1.85~2.48, f=78.5~121.9mm	5.5~8.56:1	1.55:1	0-50% Vertical; +10% Horizontal

Lens Images



ProSelecta

View :: Compare :: Select - www.ProSelecta.com

BenQ

Because it matters

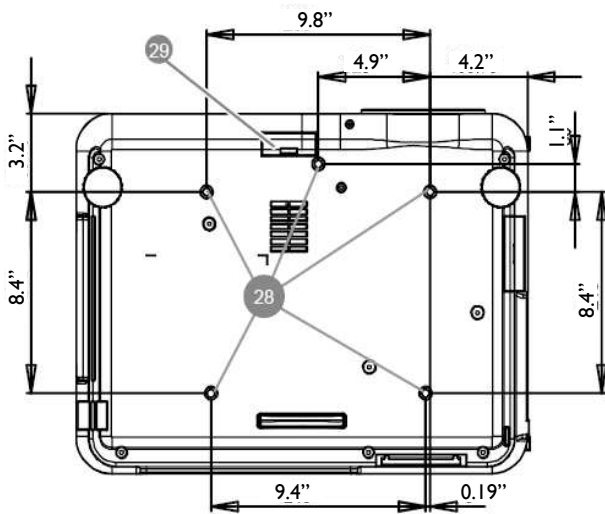
PX9510 Digital Projector

Distance Chart

Screen Size						Wide Fix		Ultra Wide				Wide Zoom				Standard			
Diagonal		Width		Height		5J.JAM37.011		5J.JAM37.061				5J.JAM37.021				5J.JAM37.001			
						NA		Wide	Tele	Wide	Tele	Wide	Tele	Wide	Tele	Wide	Tele	Wide	Tele
(Inch)	(m)	(Inch)	(m)	(Inch)	(m)	(Inch)	(m)	(Inch)	(m)	(Inch)	(m)	(Inch)	(m)	(Inch)	(m)	(Inch)	(m)	(Inch)	(m)
80	2.03	64	1.63	48	1.22	50.8	1.29	49.5	1.26	62.5	1.59	82.9	2.11	119	3.02	114.3	2.9	150.8	3.83
100	2.54	80	2.03	60	1.52	63.9	1.62	62.4	1.58	78.6	2	104.1	2.65	149.2	2.79	143.5	3.65	189.1	4.8
120	3.05	96	2.44	72	1.83	77.1	1.96	75.2	1.91	94.7	2.4	125.4	3.28	179.4	4.56	172.8	4.39	227.4	5.78
150	3.81	120	3.05	90	2.29	96.8	2.46	94.4	2.4	118.8	3.02	157.3	3.99	224.8	5.71	216.7	5.5	285	7.24
200	5.08	160	4.06	120	3.05	129.7	3.3	126.5	3.21	158.9	4.04	210.4	5.34	300.3	7.63	289.8	7.36	380.8	9.67
300	7.62	240	6.1	180	4.57	195.5	4.97	190.7	4.84	239.2	6.08	316.6	8.04	451.5	11.47	436	11.07	572.6	14.54
400	10.16	320	8.13	240	6.1	261.3	6.64	254.9	6.47	319.5	8.12	422.9	10.74	602.6	15.31	582.2	14.79	764.3	19.41
500	12.7	400	10.16	300	7.62	327.1	8.31	319.1	8.1	399.9	10.16	529.1	13.44	753.7	19.14	728.5	18.5	956.1	24.28

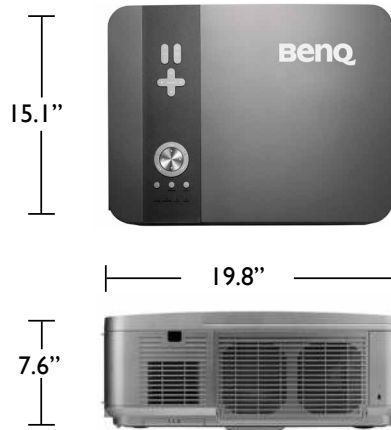
Screen Size						Semi Long				Long Zoom1				Long Zoom2			
Diagonal		Width		Height		5J.JAM37.051				5J.JAM37.031				5J.JAM37.041			
						Wide		Tele		Wide		Tele		Wide		Tele	
(Inch)	(m)	(Inch)	(m)	(Inch)	(m)	(Inch)	(m)	(Inch)	(m)	(Inch)	(m)	(Inch)	(m)	(Inch)	(m)	(Inch)	(m)
80	2.03	64	1.63	48	1.22	147	3.73	245.7	6.24	237.1	6.02	358.9	9.12	350.9	8.91	554	14.07
100	2.54	80	2.03	60	1.52	184.6	4.69	307.9	7.82	297.7	7.56	450	11.43	441.6	11.22	695.3	17.66
120	3.05	96	2.44	72	1.83	222.1	5.64	370.1	9.4	358.2	9.1	541	13.74	532.2	13.52	836.7	21.25
150	3.81	120	3.05	90	2.29	278.4	7.07	463.4	11.07	449.1	11.41	677.6	17.21	668.2	16.97	1048.8	26.64
200	5.08	160	4.06	120	3.05	372.3	9.46	618.9	15.72	600.6	15.26	905.3	22.99	894.8	22.73	1402.2	35.62
300	7.62	240	6.1	180	4.57	560	14.23	930	23.62	903.6	22.95	1360.5	34.56	1348	34.24	2109.1	53.57
400	10.16	320	8.13	240	6.1	747.8	18.99	1241	31.52	1206.6	30.65	1815.8	46.12	1801.2	45.75	2816	71.53
500	12.7	400	10.16	300	7.62	935.5	23.76	1552	39.42	1509.5	38.34	2271.1	57.69	2254.3	57.26	3522.9	89.48

Ceiling Mount Chart



Dimensions

Units: inch



*lens is not included



Because it matters