



PX9210/PU9220/PU9220+ Digital Projector

Easy Installation & Control (5 Optional Lens / large Lens shift)
Easy Maintenance (LAN control and optional filter)

Projection System	DLP		
Native Resolution	XGA (1024 x 768) / WUXGA (1920 x 1200)		
Brightness(XGA/WUXGA)	6000 / 5000 lmns		
Contrast Ratio	4000:1		
Display Color	1.07 Billion Colors		
Lens (Lens not included)	Wide Fix(5JJDH37.001)	F=2.5, f=11.5mm	
	Wide Zoom(5JJDH37.011)	F=2.05~2.27, f=16.64~19.5 mm	
	Standard(5JJDH37.021)	F=2.46~2.56, f=22.8~28.5mm	
	Semi Long(5JJDH37.031)	F=2.5~3.1, f=28.5~42.75mm	
	Long Zoom I (5JJDH37.041)	F=2.2~2.5, f=44.5~74.19mm	
Aspect Ratio	Native 4:3/ 16:10 (5 aspect ratio selectable)		
Throw Ratio	Wide Fix(5JJDH37.001)	0.8:1(XGA); 0.77:1(WUXGA)	
	Wide Zoom(5JJDH37.011)	1.14~1.35:1(XGA);1.1~1.3:1(WUXGA)	
	Standard(5JJDH37.021)	1.6~2.0:1(XGA); 1.54~1.93:1(WUXGA)	
	Semi Long(5JJDH37.031)	2.0~3.0:1(XGA); 1.93~2.9:1(WUXGA)	
	Long Zoom I (5JJDH37.041)	3.11~5.9:1(XGA);3.0~5.0:1(WUXGA)	
Image Size (Diagonal)	80"~500"		
Zoom Ratio	Wide Fix(5JJDH37.001)	Fixed	
	Wide Zoom(5JJDH37.011)	1.18X	
	Standard(5JJDH37.021)	1.25X	
	Semi Long(5JJDH37.031)	1.5X	
	Long Zoom I (5JJDH37.041)	1.67X	
Lens Shift (PX9210)	Wide Fix(5JJDH37.001)	-10%~50% Vertical; +-5% Horizontal	
	Wide Zoom(5JJDH37.011)	-10%~50% Vertical; +-5% Horizontal	
	Standard(5JJDH37.021)	-10%~50% Vertical; +-5% Horizontal	
	Semi Long(5JJDH37.031)	-10%~50% Vertical; +-5% Horizontal	
	Long Zoom I (5JJDH37.041)	-10%~50% Vertical; +-5% Horizontal	
Lens Shift (PU9220/PU9220+)	Wide Fix(5JJDH37.001)	-15%~55% Vertical; +-5% Horizontal	
	Wide Zoom(5JJDH37.011)	-15%~55% Vertical; +-5% Horizontal	
	Standard(5JJDH37.021)	-15%~55% Vertical; +-5% Horizontal	
	Semi Long(5JJDH37.031)	-15%~55% Vertical; +-5% Horizontal	
	Long Zoom I (5JJDH37.041)	-15%~55% Vertical; +-5% Horizontal	
Lamp Type	370W		
Lamp(Normal/Economic Mode)*	1500/2000 hours		
Keystone Adjustment	Vertical ± 30 degrees		
Resolution Support	VGA(640 x 480) to WUXGA_RB(1920 x 1200) *RB=Reduced Blanking		
Horizontal Frequency	15~102KHz		
Vertical Scan Rate	23~120Hz		
Compatibility	HDTV Compatibility	480i, 480p, 576i, 576p, 720p, 1080i, 1080p	
	Video Compatibility	NTSC, PAL, SECAM	
Interface	Computer in (D-sub 15pin)	x 2	
	Computer in (5BNC, R/G/B/H/V)	x 1	
	Monitor out (D-sub 15pin)	x 1	
	HDMI 1.4	x 1	
	DVI-D in	x 1	
	Component Video in (Y/Pb/Pr)	x 1	
	Composite Video in (RCA)	x 1	
	S-Video in (Mini Din 4 pin)	x 1	
	Display Port	x1	
	LAN (RJ45)	x 1 (LAN Control)	
	USB (Type B)	x 1 (Download)	
	Audio in	x2	
	Audio in (RCA L/R)	x2	
	Audio out	x1	
	12V Trigger	x 1	
	RS232 (DB-9pin)	x 1	
	Wired Remote	x 1	
IR Receiver	x 2 (Front+Rear)		
Dimensions	Dimensions(W x H x D)	431 x 167 x 321 mm	
	Weight	8.5KG (Without lens)	
Power	Power Supply	AC 100 to 240 V, 50/60 Hz	
	Power Consumption (PX9210)	Normal 445W, Eco 340W, Network standby <6W, Standby <0.5W	
	Power Management Function	Automatic power off after 20 minutes without a display source.	
Audible Noise	39 /34 db (Normal / Eco)		
On-Screen Display Languages	Arabic/Bulgarian/ Croatian/ Czech/ Danish/ Dutch/ English/ Finnish/ French/ German/ Greek/ Hindi/ Hungarian/ Italian/ Indonesian/ Japanese/ Korean/ Norwegian/ Polish/ Portuguese/ Romanian/ Russian/ Simplified Chinese/Spanish/ Swedish/ Turkish/ Thai/ Traditional Chinese (28 Languages)		
Picture Modes	Bright/Presentation/sRGB/Cinema(3D)/User 1/User 2		
Accessories	Standard	Optional	
	Remote Control without Battery	Spare Lamp Kit	5JJDH05.001
	Power Cord (by region)	Ceiling Mount	SJJCY10.001
	User Manual CD	Optional Lens	Wide Fix(5JJDH37.001)
	Quick Start Guide		Wide Zoom(5JJDH37.011)
	Warranty Card (by region)		Standard(5JJDH37.021)
	VGA(D-sub 15pin) Cable		Semi Long(5JJDH37.031)
			Long Zoom I (5JJDH37.041)

*Lamp life results will vary depending on environmental conditions and usage. Actual product's features and specifications are subject to change without notice.

Distance Chart

PU9220

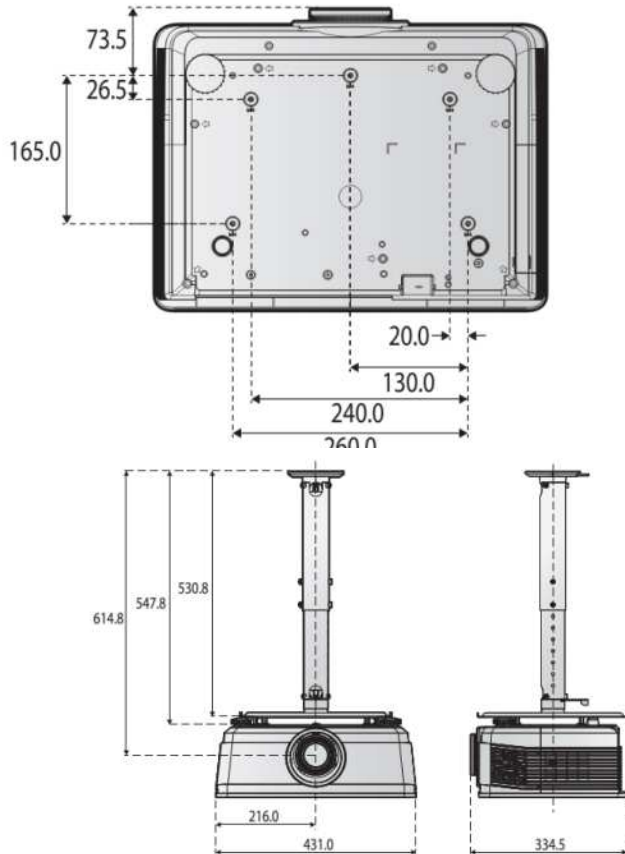
Screen Size						Wide Fix		Wide Zoom				Standard				Semi Long				Long Zoom			
						0.77ST		1.1-1.3				1.54-1.93				1.93-2.9				3-5			
Diagonal		Width		Height		LS2ST3		LS2ST1				LS2SD				LS2LT1				LS2LT2			
						5JJDH37.001		5JJDH37.011				5JJDH37.021				5JJDH37.031				5JJDH37.041			
				NA		Wide		Tele		Wide		Tele		Wide		Tele		Wide		Tele			
(Inch)	(m)	(Inch)	(m)	(Inch)	(m)	(Inch)	(m)	(Inch)	(m)	(Inch)	(m)	(Inch)	(m)	(Inch)	(m)	(Inch)	(m)	(Inch)	(m)	(Inch)	(m)		
80	2.03	68	1.72	42	1.08	52	1.33	75	1.9	88	2.24	104	2.65	131	3.33	131	3.33	197	5	204	5.17	339	8.62
100	2.54	85	2.15	53	1.35	65	1.66	93	2.37	110	2.8	131	3.32	164	4.16	164	4.16	246	6.25	254	6.46	424	10.8
120	3.05	102	2.58	64	1.62	78	1.99	112	2.84	132	3.36	157	3.98	196	4.99	196	4.99	295	7.5	305	7.75	509	12.9
150	3.81	127	3.23	79	2.02	98	2.49	140	3.55	165	4.2	196	4.98	245	6.24	245	6.24	369	9.37	382	9.69	636	16.2
200	5.08	170	4.31	106	2.69			187	4.74	220	5.6	261	6.63	327	8.31	327	8.31	492	12.5	509	12.9	848	21.5
300	7.62	254	6.46	159	4.04			280	7.11	331	8.4							491	12.5	738	18.7	763	19.4
400	10.16	339	8.62	212	5.38													655	16.6	984	25		
500	12.7	424	10.8	265	6.73																		

PX9210

Screen Size						Wide Fix		Wide Zoom				Standard				Semi Long				Long Zoom			
						0.8ST		1.14-1.34				1.6-2				2-3				3.11-5.18			
Diagonal		Width		Height		LS2ST3		LS2ST1				LS2SD				LS2LT1				LS2LT2			
						5JJDH37.001		5JJDH37.011				5JJDH37.021				5JJDH37.031				5JJDH37.041			
				NA		Wide		Tele		Wide		Tele		Wide		Tele		Wide		Tele			
(Inch)	(m)	(Inch)	(m)	(Inch)	(m)	(Inch)	(m)	(Inch)	(m)	(Inch)	(m)	(Inch)	(m)	(Inch)	(m)	(Inch)	(m)	(Inch)	(m)	(Inch)	(m)	(Inch)	(m)
80	2.03	64	1.63	48	1.22	51	1.3	73	1.85	86	2.18	102	2.6	128	3.25	128	3.25	192	4.88	199	5.06	332	8.42
100	2.54	80	2.03	60	1.52	64	1.63	91	2.32	107	2.72	128	3.25	160	4.06	160	4.06	240	6.1	249	6.32	414	10.5
120	3.05	96	2.44	72	1.83	77	1.95	109	2.78	129	3.27	154	3.9	192	4.88	192	4.88	288	7.32	299	7.58	497	12.6
150	3.81	120	3.05	90	2.29	96	2.44	137	3.47	161	4.08	192	4.88	240	6.1	240	6.1	360	9.14	373	9.48	622	15.8
200	5.08	160	4.06	120	3.05			182	4.63	214	5.45	256	6.5	320	8.13	320	8.13	480	12.2	498	12.6	829	21.1
300	7.62	240	6.1	180	4.57			274	6.95	322	8.17					480	12.2	720	18.3	746	19	1243	31.6
100	2.54	80	2.03	60	1.52	64	1.63	91	2.32	107	2.72	128	3.25	160	4.06	160	4.06	240	6.1	249	6.32	414	10.5
120	3.05	96	2.44	72	1.83	77	1.95	109	2.78	129	3.27	154	3.9	192	4.88	192	4.88	288	7.32	299	7.58	497	12.6
150	3.81	120	3.05	90	2.29	96	2.44	137	3.47	161	4.08	192	4.88	240	6.1	240	6.1	360	9.14	373	9.48	622	15.8
200	5.08	160	4.06	120	3.05			182	4.63	214	5.45	256	6.5	320	8.13	320	8.13	480	12.2	498	12.6	829	21.1
300	7.62	240	6.1	180	4.57			274	6.95	322	8.17					480	12.2	720	18.3	746	19	1243	31.6
400	10.16	320	8.13	240	6.1											640	16.3	960	24.4				
500	12.7	400	10.2	300	7.62																		



Ceiling Mount Holes (mm)



Dimension

