

DIGITAL PROJECTOR

SX914

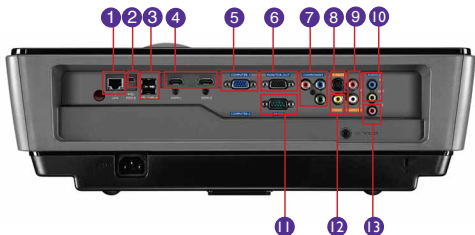


Features

- Native XGA (1024 x 768) Resolution
- 6,000 ANSI Lumens, 6,500:1 High Contrast Ratio
- Big Zoom Ratio: 1.6
- Vertical Len Shift Support
- DLP® 3D via PC & Blu-Ray/DVD Player
- SRSWOW HD™ Audio Compatible
- Full LAN Function Support (Control, Display & Audio)



Input and Output Terminals



- | | |
|-----------------------------|------------------------------|
| 1 LAN | 7 Component Video in |
| 2 USB (Type Mini B) | 8 S-Video In (Mini DIN 4pin) |
| 3 USB (Type A) | 9 Audio In L & R (RCA) |
| 4 HDMI x 2 | 10 Audio in/Out (Mini Jack) |
| 5 Computer in (D-sub 15pin) | 11 RS232 (DB-9pin) |
| 6 Monitor Out (D-sub 15pin) | 12 Composite Video in (RCA) |
| | 13 Mic |



Specifications

Projection System	DLP®
Native Resolution	XGA(1024x768)
Brightness	6,000AL
Contrast Ratio	6,500:1
Display Color	1.07 Billion Colors
Lens	F=2.1-2.63, f=21.70-34.94mm
Aspect Ratio	Native 4:3 (5 aspect ratio selectable)
Throw Ratio	1.5-2.4 (65.6"±3% @ 2m)
Image Size (Diagonal)	30"-300"
Zoom Ratio	1.6±2%
Lamp Type	350W
Lamp (Normal/Economic Mode)*	1500/2000 hours
Keystone Adjustment	1D, Vertical +/- 40 degrees
Projection Offset	Vertical: 115%-125%±5%
Resolution Support	VGA(640 x 480) to UXGA(1600 x 1200)
Horizontal Frequency	15K-102KHz
Vertical Scan Rate	23-120Hz
Compatibility	HDTV Compatibility: 480i, 480p, 576i, 576p, 720p, 1080i, 1080p Video Compatibility: NTSC, PAL, SECAM, 3D Compatibility: Frame Sequential: Up to 480i Frame Packing: Up to 24 Hz 1080p Side by Side: Up to 60Hz 1080i Top Bottom: Up to 24Hz 1080p
Interface	Computer in (D-sub 15pin) x 2(Share with component) Monitor out (D-sub 15pin) x 1 Composite Video in (RCA) x 1 S-Video in (Mini DIN 4pin) x 1 Component video in x 1 HDMI x 2 Audio in (Mini Jack) x 1 Audio in (L/R) x 1 Audio out (Mini Jack) x 1 Microphone in (Mini Jack) x 1 Speaker 10W x 2 USB (Type A) x 2(USB Reader & Wireless Display & Remote Desktop) USB (Type mini B) x 1 (Download & page/down) RJ45 x 1(LAN Control & LAN Display & Audio) RS232 (DB-9pin) x 1 DC 12V Trigger (3.5mm Jack) x 1 IR Receiver x 2 (Front+rear)
Dimensions (WxHxD)	17.6" x 6.0" x 13.2" (446 x 152 x 336 mm)
Weight	13.7 lbs (6.2kg)
Power Supply	AC 100 to 240 V, 50/60 Hz
Power Consumption	525 W (max), Standby<0.5W
Audible Noise	35/30 dBA (Normal/Economic mode)
Languages	Arabic/Bulgarian/ Croatian/ Czech/ Danish/ Dutch/ English/ Finnish/ French/ German/ Greek/ Hindi/ Hungarian/ Italian/ Indonesian/ Japanese/ Korean/ Norwegian/ Polish/ Portuguese/ Romanian/ Russian/ Simplified Chinese/Spanish/ Swedish/ Turkish/ Thai/ Traditional Chinese (28 Languages)
Picture Mode	Dynamic/Presentation/sRGB/Cinema/(3D)/User 1/User 2
Accessories (Standard)	Remote Control w/ Battery, Power Cord, User Manual CD QSG, Warranty Card, VGA (D-sub 15pin) Cable, Lens Cover
Accessories (Optional)	Spare Lamp Kit P/N: 5J.J8K05.001 Ceiling Mount Kit P/N: 5J.J4N10.001 3D Glasses P/N: 5J.J7K25.001
UPC / Part #	8400460-2646-1 / 9H.J8K77.15A
Limited Warranty	1 Year Parts/Labor; 180 days or 500 hours of lamp life.

*Lamp life results will vary depending on environmental conditions and usage. Actual product's features and specifications are subject to change without notice.

SX914 06-20-13-BQus



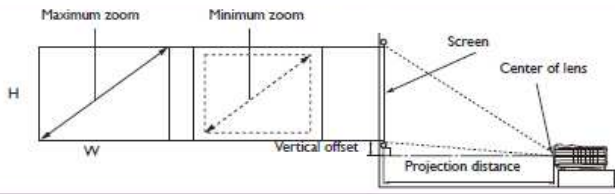
ProSelecta

View :: Compare :: Select - www.ProSelecta.com

SX914 Digital Projector

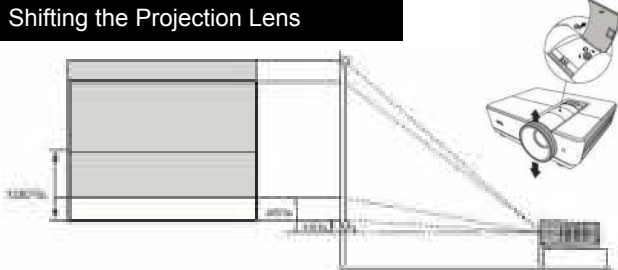
Distance Chart

The screen aspect ratio is 16:9 and the projected picture is 16:9



Screen Size				Distance from screen (inch)			Vertical offset (inch)		
Diagonal Inch	mm	H inch	W inch	Min distance	Average	Max distance	Max offset 125%	Min offset 115%	Mid offset 120%
				Max zoom		Min zoom			
50	1270	30	40	60.7	79.2	97.6	3.7	2.2	2.9
60	1524	36	48	72.9	95.0	117.1	4.5	2.7	3.5
70	1178	42	56	85.1	110.9	136.6	5.2	3.1	4.2
80	2032	48	64	97.2	126.7	156.1	5.9	3.5	4.8
90	2286	54	72	109.4	142.5	175.6	6.7	4.1	5.4
100	2540	60	80	121.6	158.4	195.2	7.5	4.5	5.9
110	2794	66	88	133.8	174.2	214.7	8.3	4.9	6.6
120	3048	72	96	145.9	190.0	234.2	9.0	5.4	7.2
130	3302	78	104	158.1	205.9	253.7	9.7	5.8	7.7
140	3556	84	112	170.2	221.7	273.2	10.5	6.2	8.4
150	3810	90	120	182.4	237.6	292.8	11.2	6.7	9.0
160	4064	96	128	194.6	253.4	312.3	12.0	7.2	9.6
170	4318	102	136	206.7	269.2	331.8	12.7	7.6	10.1
180	4572	108	144	218.8	285.1	351.3	13.5	8.1	10.7
190	4826	114	152	231.0	300.9	370.8	14.2	8.5	11.4
200	5080	120	160	243.1	316.8	390.3	15.0	9.0	12.0
250	6350	150	200	304.0	395.9	487.9	18.7	11.2	15.0
300	7620	180	240	364.8	475.2	585.6	22.5	13.5	17.9

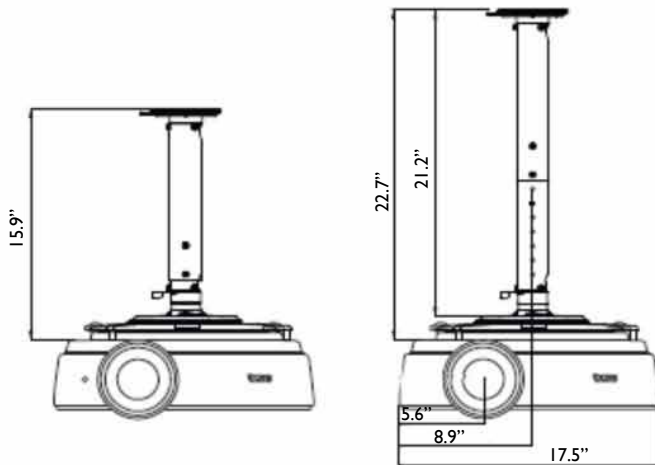
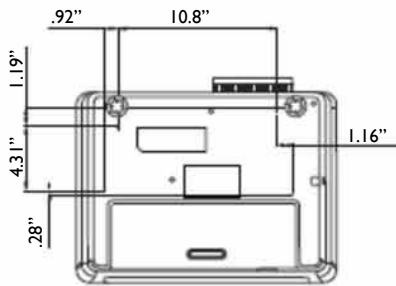
Shifting the Projection Lens



Ceiling Mount Chart

Ceiling Mount screw: M4 (Max L=25 mm; Min L = 20mm)

Units: inch



Dimensions

Units: inch

