

# DIGITAL PROJECTOR | MS524

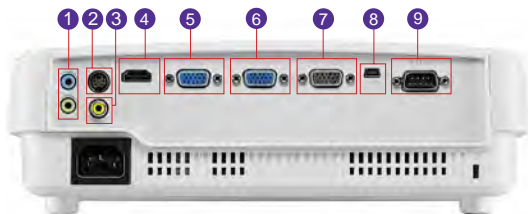


## Features

- Native SVGA Resolution (800x600)
- 3,200 ANSI Lumens; 13,000:1 Contrast Ratio
- SmartEco™ Power Saving Technology
- Up to 10,000 Hours Long Lamp Life
- <0.5W Standby Mode & HDMI
- Full 3D Ready



## Input and Output Terminals



- |                              |                             |
|------------------------------|-----------------------------|
| 1 Audio In & Out (Mini Jack) | 6 Computer-2 (D-sub 15pin)  |
| 2 S-Video (Mini DIN 4-pin)   | 7 Monitor Out (D-sub 15pin) |
| 3 Composite Video in (RCA)   | 8 USB (Type mini-B)         |
| 4 HDMI                       | 9 RS232 (DB-9pin)           |
| 5 Computer-1 (D-sub 15pin)   |                             |

## Specifications

Projection System	DLP
Native Resolution	SVGA(800 x 600)
Brightness	3,200AL
Contrast Ratio	13,000:1
Display Color	1.07 Billion Colors
Lens	F=2.56-2.8, f=21-23.1 mm
Aspect Ratio	Native 4:3 (5 aspect ratio selectable)
Throw Ratio	1.86-2.04 (53"@2m)
Image Size Diagonal	55" ~ 150"
Zoom Ratio	1.1X
Lamp Type	190W
Normal/ Eco/ SmartEco/ SmartEco Lamp Care	4,500/ 6,000/ 6,500/ 10,000 hours
Keystone Adjustment	1D, Vertical +/- 40 degrees
Projection Offset	120% ±5%
Resolution Support	VGA(640 x 480) to UXGA(1600 x 1200)
Horizontal Frequency	15~102KHz
Vertical Scan Rate	23~120Hz
Compatibility	HDTV Compatibility: 480i, 480p, 576i, 576p, 720p, 1080i, 1080p Video Compatibility: NTSC, PAL, SECAM 3D Compatibility: Frame Sequential: Up to 720p Frame Packing: Up to 1080p Side by Side: Up to 1080i/p Top Bottom: Up to 1080p
Interface	Computer in (D-sub 15pin) x 2 (Share with component) Monitor out (D-sub 15pin) x 1 Composite Video in (RCA) x 1 S-Video in (Mini DIN 4pin) x 1 HDMI x 1 Audio in (Mini Jack) x 1 Audio out (Mini Jack) x 1 Speaker 2W x 1 USB (Type mini B) x 1 RS232 (DB-9pin) x 1 IR Receiver x1 (Front)
Dimensions (WxHxD)	11.4" x 3.7" x 8.7" (with feet)
Weight	4.1 lbs
Power Supply	AC100 to 240 V, 50 to 60 Hz
Power Consumption	Normal 270W, Eco 220W, Standby<0.5W
Audible Noise	33/28 dBA (Normal/Economic mode)
On-Screen Display Languages	Arabic/Bulgarian/ Croatian/ Czech/ Danish/ Dutch/ English/ Finnish/ French/ German/ Greek/ Hindi/ Hungarian/ Italian/ Indonesian/ Japanese/ Korean/ Norwegian/ Polish/ Portuguese/ Romanian/ Russian/ Simplified Chinese/Spanish/ Swedish/ Turkish/ Thai/ Traditional Chinese (28 Languages)
Picture Mode	Dynamic/Presentation/sRGB/Cinema/User 1/User 2
Accessories (Standard)	Lens Cover, Remote Control w/ Battery, Power Cord, Downloading UM and Regulatory Statements, Quick Start Guide, Warranty Card, VGA(D-sub 15pin) Cable
Accessories (Optional)	Spare Lamp Kit P/N: 5J.J9R05.001 Ceiling Mount P/N: 5J.J4N10.001 3D Glasses P/N: 5J.J7L25.002 Carry bag P/N: 5J.J4R09.001
UPC Code / Part #	8400460-3076-6 / 9H.JCF77.13A
Limited Warranty	1 year parts & labor; 180 days / 500 hours of lamp life

\*Lamp life results will vary depending on environmental conditions and usage. Actual product's features and specifications are subject to change without notice.



Projectisle.com.au  
Where Projectors Roam Free

MS524 07-08-14-BQus



BenQ America Corp.  
www.BenQ.us

BenQ is a registered trademark of BenQ Corp. DLP is a registered trademark of Texas Instruments. All rights reserved. Product names, logos, brands, and other trademarks featured or referred to in this materials are the property of their respective trademark holders. Specifications subject to change without notice.

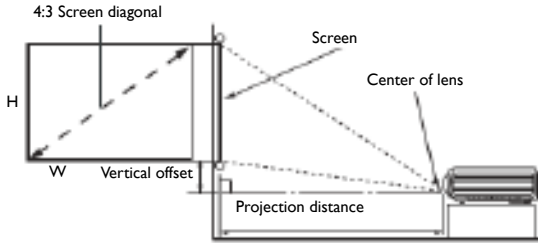


Because it matters

# MS524 Digital Projector

## Distance Chart

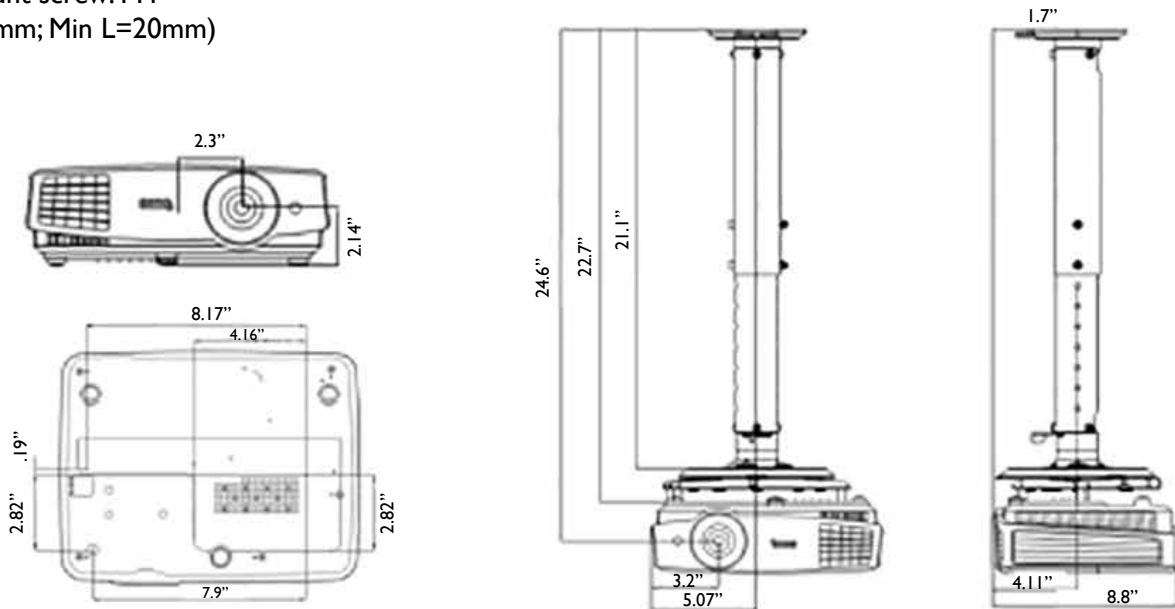
The screen aspect ratio is 4:3 and the projected picture is in a 4:3 aspect ratio



Screen Size				Distance from screen (inch)			Vertical offset (inch)
Diagonal		W (inch)	H (inch)	Min length Max zoom	Average	Min length Max zoom	
Inch	mm						
30	762	24	18	44.6	46.8	49.1	1.81
40	1016	32	24	59.4	62.4	65.3	2.4
50	1270	40	30	74.3	77.9	81.6	2.9
60	1524	48	36	89.1	93.5	98.1	3.6
80	2032	64	48	118.8	124.8	130.7	4.8
100	2540	80	60	148.5	155.9	163.4	5.9
120	3048	96	72	178.2	187.2	196.1	7.2
150	3810	120	90	222.8	233.9	245.1	9.0
200	5080	160	120	297.1	312.0	326.8	12.0
220	5588	176	132	326.8	343.2	359.5	13.2
250	6350	200	150	371.4	390.1	408.5	15.0
300	7620	240	180	445.7	467.9	490.2	17.9

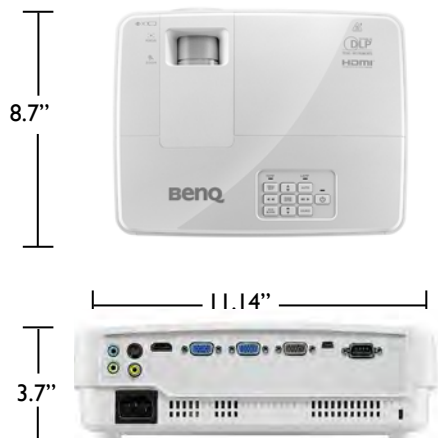
## Ceiling Mount Chart

Ceiling Mount screw: M4  
(Max L=25mm; Min L=20mm)



Units: inch

## Dimensions



Because it matters