

# INFOCUS LP840/LP850/LP860 INSTALLATION & INTEGRATION PROJECTORS

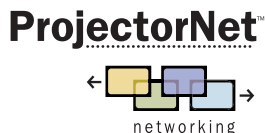


## UNIQUE, HIGH-PERFORMANCE INSTALLATION PROJECTORS

Experience the brilliant power of the InFocus LP840, LP850 and LP860 family of projectors designed to integrate into any room—across your entire enterprise—with powerful options, presentation flexibility, innovative ease-of-use and a price you can't resist. Unsurpassed flexibility and a revolutionary feature package means perfect projection in any environment—when it counts the most.

### EASE, INCORPORATED

Imagine. A projector that makes your work easier. InFocus ProjectAbility™ makes InFocus projectors so intuitive, users are up and running all by themselves in no time.



**InFocus®**

### THE POWER...

#### — ...OF PERFECT PROJECTION

Illuminate large training rooms, conference centers, classrooms, and houses of worship with stellar brightness and image quality. Four optional user-replaceable bayonet lenses can be changed without hassle in just three easy steps. Get native XGA resolution at 3500 lumens (LP840) or 4500 lumens (LP850), or precise SXGA+ resolution at 3500 lumens (LP860), for images that are powerful and captivating.

#### — ...TO CONNECT

Experience seamless compatibility with connectivity that supports three separate PC and three separate video sources. Control your projector via RS-232 or TCP/IP interfaces. Connect analog and digital sources with support for HDTV and computer sources up to UXGA resolution. BNC connectors make for secure, professional installations.

#### — ...TO UPGRADE

The LP840, LP850 and LP860 are solutions-enabled—offering seamless integration with network and wireless applications so you can upgrade with ease. Add them to your network right out of the box with ProjectorNet™ by InFocus® and manage all your projector assets from a single PC. These projectors are also compatible with the InFocus LiteShow® wireless solution, the first cable-free digital projection solution of its kind. Just pure performance and wireless collaboration.

## THE POWER OF TOTAL CONFIDENCE

With an array of options and control features, the LP840, LP850 and LP860 family of projectors give you exactly what you need.



Four optional user-replaceable bayonet lenses - just push, twist, and replace.



Seamless integration with network and wireless applications.



Simple maintenance.



Illuminate and captivate your audience.

### — UNIQUE OPTIONS

Four optional user-replaceable bayonet lenses offer versatility in most any venue and can be changed in just three easy steps. Just push, twist, and replace. It's that easy.

The lamp can be replaced even while the unit is mounted allowing for simple maintenance. Power zoom, focus and lens shift, plus horizontal and vertical keystone correction provide the highest level of professional installation performance and control. Plus, compatibility with multiple video and data sources ensures smooth set up and trouble-free presentations for users, resulting in a minimum of service calls for IT and other support staff.

### — EASE WITHOUT SACRIFICE

Wireless and network capabilities offer ultimate control options. Combining features and design that benefit the installer, IT manager, and presenter, the LP840, LP850 and LP860 are solid choices that you can stake your reputation on.

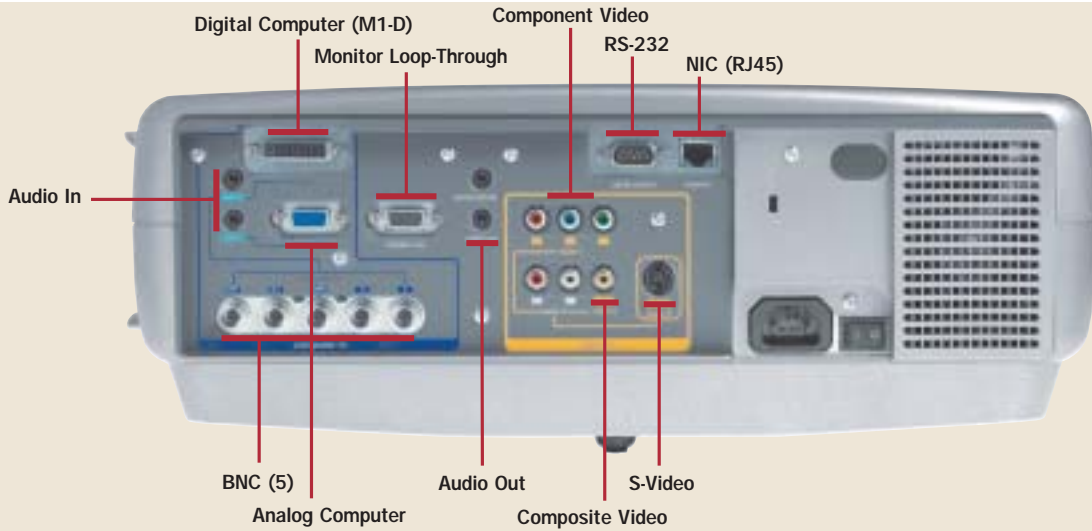
InFocus ProjectorNet™ is a client/server based networking solution designed to allow IT and facilities personnel to manage multiple projectors from a single PC. ProjectorNet gives corporations, universities and other organizations the power to manage projectors just as they would other shared computing and communication assets such as PCs and printers.

InFocus LiteShow® delivers high-resolution, true-color clarity with fast image updates and smooth, jitter-free images. It's built on industry standard Wi-Fi (802.11b) technology and is compatible with both PC and Mac operating systems. LiteShow is simple to use, requiring zero network configuration and no cumbersome system set-up. No more plugging and unplugging between presenters, delivering unprecedented flexibility for wireless collaboration.

### — INNOVATION FOR PERFORMANCE

User-focused innovations—based on years of research—enable intuitive use. Features designed for both IT and end-users allow for trouble-free projector management. ProjectAbility™, an InFocus Corporation product design philosophy, eliminates the typical projector learning curve. Color-coded I/O connectors let users connect in seconds. The keypad allows the most common functions to be accessed with just one touch, while the intuitive menu system lets users simply scroll-and-select. This approach to design for ease without sacrificing function not only reduces support calls, but results in much less presentation "down time."

# INSTALLATION & INTEGRATION PROJECTOR



**PROJECTION DISTANCES** Short Fixed Throw Ratio Range 0.8:1

Distance	Image Size							
	Diagonal Image		Image Width					
Feet	Meters	Feet	Meters	Feet	Meters	Feet	Meters	
MIN DISTANCE	3	0.9	4.69	1.43	3.75	1.14		
	5	1.5	7.81	2.38	6.25	1.91		
	10	3.0	15.63	4.76	12.50	3.81		
MAX DISTANCE	12	3.7	18.75	5.72	15.00	4.57		

**PROJECTION DISTANCES** Standard Throw Ratio Range 1.5 - 2.2:1

Distance	Minimum Image						Maximum Image			
	Diagonal Image		Image Width		Diagonal Image		Image Width			
Feet	Meters	Feet	Meters	Feet	Meters	Feet	Meters	Feet	Meters	
MIN DISTANCE	3	0.9	1.70	0.52	1.36	0.42	2.50	0.76	2.00	0.61
	5	1.5	2.84	0.87	2.27	0.69	4.17	1.27	3.33	1.02
	10	3.0	5.68	1.73	4.55	1.39	8.33	2.54	6.67	2.03
	20	6.1	11.36	3.46	9.09	2.77	16.67	5.08	13.33	4.06
	30	9.1	17.05	5.20	13.64	4.16	25.00	7.62	20.00	6.10
	40	12.2	22.73	6.93	18.18	5.54	33.33	10.16	26.67	8.13
MAX DISTANCE	45.5	13.9	25.85	7.88	20.68	6.30	37.92	11.56	30.33	9.25

**PROJECTION DISTANCES** Short Zoom Throw Ratio Range 1.1 - 1.5:1

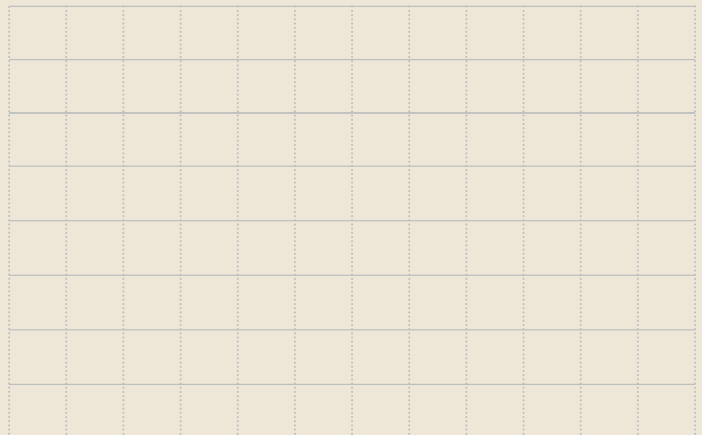
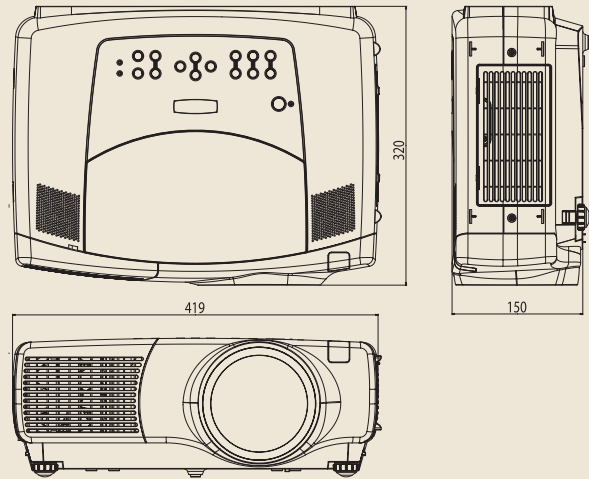
Distance	Minimum Image						Maximum Image			
	Diagonal Image		Image Width		Diagonal Image		Image Width			
Feet	Meters	Feet	Meters	Feet	Meters	Feet	Meters	Feet	Meters	
MIN DISTANCE	2	0.6	1.67	0.51	1.33	0.41	2.27	0.69	1.82	0.55
	5	1.5	4.17	1.27	3.33	1.02	5.68	1.73	4.55	1.39
	10	3.0	8.33	2.54	6.67	2.03	11.36	3.46	9.09	2.77
	20	6.1	16.67	5.08	13.33	4.06	22.73	6.93	18.18	5.54
	25	7.6	20.83	6.35	16.67	5.08	28.41	8.66	22.73	6.93
MAX DISTANCE	30.5	9.3	25.42	7.75	20.33	6.20	34.66	10.56	27.73	8.45

**PROJECTION DISTANCES** Long Zoom Throw Ratio Range 2.2 - 4.2:1

Distance	Minimum Image						Maximum Image			
	Diagonal Image		Image Width		Diagonal Image		Image Width			
Feet	Meters	Feet	Meters	Feet	Meters	Feet	Meters	Feet	Meters	
MIN DISTANCE	4.2	1.3	1.28	0.39	1.02	0.31	2.39	0.73	1.91	0.58
	10	3.0	3.05	0.93	2.44	0.74	5.68	1.73	4.55	1.39
	20	6.1	6.10	1.86	4.88	1.49	11.36	3.46	9.09	2.77
	30	9.1	9.15	2.79	7.32	2.23	17.05	5.20	13.64	4.16
	40	12.2	12.20	3.72	9.76	2.97	22.73	6.93	18.18	5.54
	60	18.3	18.29	5.58	14.63	4.46	34.09	10.39	27.27	8.31
MAX DISTANCE	83.2	25.4	25.37	7.73	20.29	6.19	47.27	14.41	37.82	11.53

**PROJECTION DISTANCES** Ultra Long Zoom Throw Ratio Range 3.9 - 7.3:1

Distance	Minimum Image						Maximum Image			
	Diagonal Image		Image Width		Diagonal Image		Image Width			
Feet	Meters	Feet	Meters	Feet	Meters	Feet	Meters	Feet	Meters	
MIN DISTANCE	7.5	2.3	1.28	0.39	1.03	0.31	2.40	0.73	1.92	0.59
	25	7.6	4.28	1.30	3.42	1.04	8.01	2.44	6.41	1.95
	50	15.2	8.56	2.61	6.85	2.09	16.03	4.88	12.82	3.91
	75	22.9	12.84	3.91	10.27	3.13	24.04	7.33	19.23	5.86
	100	30.5	17.12	5.22	13.70	4.18	32.05	9.77	25.64	7.82
	125	38.1	21.40	6.52	17.12	5.22	40.06	12.21	32.05	9.77
MAX DISTANCE	146.5	44.7	25.09	7.65	20.07	6.12	46.96	14.31	37.56	11.45



## THE INFOCUS COMMITMENT

Experience for yourself why InFocus Corporation is the worldwide leader in digital projection. Our dedication to quality and customer satisfaction is reflected in service options that will bring you a greater return on your investment. InFocus projectors come with a standard 2-year limited factory warranty, including parts and labor, and a 90-day lamp replacement warranty. Our customer support offers you premium service and convenience, whatever your needs.

For service program details in your region, please visit [www.infocus.com/service/service\\_offerings](http://www.infocus.com/service/service_offerings)

## OPTIONAL ACCESSORIES

LP-LITESHOW	Liteshow: Wireless Display Module
SW-PN2-1CD	ProjectorNet: 1-seat Trial License
SP-LAMP-015	Replacement Lamp: LP840
SP-LAMP-016	Replacement Lamp: LP850, LP860
CA-ATA-INST	ATA Shipping Case: Installation
HW-INTEGRATOR	InFocus Integrator™ Remote Control, By Interlink*
SCREENS	Screens available at <a href="http://www.infocus.com">www.infocus.com</a>
SP-CEIL-010	Ceiling Mount: Integration
SP-LTMT-EXTP	Pipe Tubing Extension
SP-LTMT-PLT	False Ceiling Plate
SP-AV30	Cable: Composite Audio Video, 30ft.
SP-SVIDEO	Cable: S-video Cable, 6ft
SP-M1-10M	Cable: M1 To DVI
SP-LOCK-B	Pc Guardian Projector Cable Lock
SP-VGAEXT50-D	Cable Extension Bundle: Domestic
SP-VGAEXT50-I	Cable Extension Bundle: International

## OPTIONAL LENSES

LENS-022	Short-throw Fixed [0.8:1]
LENS-023	Short-throw Zoom [1.1-1.5:1]
LENS-024	Long-throw Zoom [2.2-4.1:1]
LENS-025	Ultra Long-throw Zoom [3.9-7.3:1]

### Ships Standard With

- User Manual, Quick start guide and CD
- AV cable (3 x RCA)
- RGB cable
- Power cord
- M1 cable
- Remote control (batteries included)

## THE FAMILY OF PERFORMANCE

Introducing the InFocus family of performance projectors — the LP860, LP850, LP840, and the LP820.



Unique  
High Performance  
Innovative  
Flexible  
Affordable  
= Perfect Projection

Contact InFocus or your dealer today.

## TECHNICAL SPECIFICATIONS†

Native Resolution	• LP840/LP850: XGA 1024 x 768; LP860: SXGA+ (1400 x 1050)
Display Technology	• 0.99" polysilicon TFT with micro lens array
Input Sources	• Computer Sources: Computer 1 (M1-D), Computer 2 (DSUB-15), Computer 3 (Component via BNC) • Audio Inputs (Computer): Mini-jack x 2 • Video Sources: Video 1 (Component RCA), Video 2 (S-Video), Video 3 (Composite RCA) • Audio Inputs (Video): Stereo RCA jack (shared)
Output Sources (standard)	• Audio mini-jack, monitor loop through, wired remote
Computer Compatibility	• VGA – UXGA
Video Compatibility	• NTSC, NTSC 4.43, PAL, PAL-M,N, PAL60 SDTV: 525i (480i), 625i (575i) HDTV: 750p (720p @ 60Hz), 1125i (1080i @50/60Hz, 1035i @ 60Hz) EDTV: 525p (480p)
Brightness	• LP840: 3500 max ANSI lumens (standard mode); 2800 max ANSI lumens (whisper mode) • LP850: 4500 max ANSI lumens (standard mode); 3600 max ANSI lumens (whisper mode) • LP860: 3500 max ANSI lumens (standard mode); 2800 max ANSI lumens (whisper mode)
Brightness Uniformity	• 85%
Contrast Ratio	• 750:1 Full on/Full off
Number of Colors	• 16.7 million
H-Synch Range	• 15 – 91 kHz
V-Synch Range	• 50 – 120 Hz
Dot Clock	• 160 MHz
Lens Shift	• 10:0 – 1:1 motorized vertical lens shift
Digital Keystone Correction	• Horizontal: up to +/-15° Vertical: up to +/-15°
Projection Lens (standard)	• Zoom Ratio: 1.5:1 • Throw Ratio: 1.5 – 2.2:1 (D:W) • Minimum Projection Distance: 3'/0.9 m • Maximum Projection Distance: 45.5'/13.9 m • Image offset ratio (%): On axis to 100% offset
Optional Fixed Short Throw Lens	• Zoom Ratio: N/A • Throw Ratio: 0.8:1 (D:W) • Minimum Projection Distance: 3'/0.9 m • Maximum Projection Distance: 12'/3.7 m • Image offset ratio (%): On axis
Optional Short Throw Zoom Lens	• Zoom Ratio: 1.3:1 • Throw Ratio: 1.1 – 1.5:1 (D:W) • Minimum Projection Distance: 2'/0.6 m • Maximum Projection Distance: 30.5'/9.3 m • Image offset ratio (%): On axis to 100% offset
Optional Long Throw Zoom Lens	• Zoom Ratio: 1.7:1 • Throw Ratio: 2.2 – 4.1:1 (D:W) • Minimum Projection Distance: 4.2'/1.3 m • Maximum Projection Distance: 83.2'/25.4 m • Image offset ratio (%): On axis to 100% offset
Optional Ultra Long Throw Zoom Lens	• Zoom Ratio: 1.8:1 • Throw Ratio: 3.9 – 7.3:1 (D:W) • Minimum Projection Distance: 7.5'/2.3 m • Maximum Projection Distance: 146.5'/44.7 m • Image offset ratio (%): On axis to 100% offset
Aspect Ratio	• 4:3 native (supports 5:4, 16:9)
Image size (diagonal)	• 30" – 300"/76.2 cm – 762.0 cm
Projection Methods	• Front, rear and ceiling
Audio	• 2x1-watt stereo
Mouse Control	• USB via M1
Projector Control	• RS-232 (9-pin DSUB), ProjectorNet™ (RJ45)
Lamp*	• LP840: 275W UHB/2000 hours • LP850: 310W UHB/1500 hours • LP860: 310W UHB/1500 hours
Dimensions (standard)	• 16.8" (W) x 12.4" (L) x 6.4" (H); 42.7 cm (W) x 31.5 cm (L) x 16.3 cm (H)
Weight (standard)	• 17 lbs/7.7 kg
Power Supply	• 100 – 240V at 50 – 60 Hz; auto switching
Operating Temperature	• 10° – 35° C at sea level (0° –10,000'); 50° – 95° F
Power Consumption	• 430 watts
Menu Languages	• English, Spanish, French, German, Japanese, Korean, Portuguese, Italian, Norwegian, Russian, Simplified Chinese, Traditional Chinese
Audible Noise	• 40dB (standard mode); 36dB (whisper mode)
Approvals	• FCC A, UL/cUL, CE, TUV
Lamp Warranty	• 90-days or 500 hours, whichever comes first
Product Warranty	• 2 years parts and labor
Accessory Warranty	• 1 year

\* Actual lamp life may vary based on the ambient environment. Conditions that may affect lamp life include temperature, altitude, rapidly switching the projector on and off, and switching between standard and low power modes.

† InFocus reserves the right to alter product offerings and specifications at any time without prior notice.

[www.infocus.com](http://www.infocus.com)

### InFocus Corporate Headquarters:

27700B SW Parkway Avenue • Wilsonville, Oregon 97070-9215, USA  
Phone: 503-685-8888 • 1-800-294-6400 • Fax: 503-685-8887

### In Europe: InFocus International BV

Strawinskylaan 585 • 1077 XX Amsterdam • The Netherlands  
Phone: (31) 20 5792000 • Fax: (31) 20 5792999  
Freephone: 008000 4636287 (008000 INFOCUS)

### In Asia: InFocus Systems Asia Pte Ltd.

238A Thomson Road • #18-01/04 Novena Square  
Singapore 307684 • Phone: (65) 6334-9005 • Fax: (65) 6333-4525

InFocus, LP and LiteShow are registered trademarks and ProjectAbility, ProjectorNet, and ProjectorManager are trademarks of InFocus Corporation. All other trademarks are used with permission or are for identification purposes only and are the property of their respective companies. ©2005 InFocus Corporation. All rights reserved. 805-1046-00. LP840\_LP850\_LP860\_DS\_E\_V00.qxd, 2/05.