

DIGITAL PROJECTOR

# MW817ST

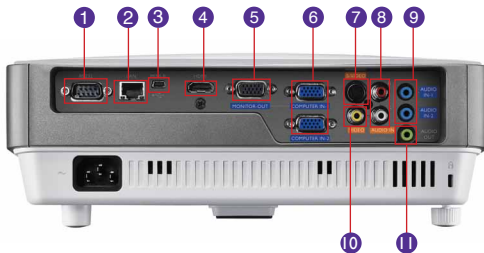


## Features

- Native WXGA (1280 x 800) Resolution
- 3000 ANSI Lumens, 13000:1 Contrast Ratio
- 0.49 Short Throw Ratio
- LAN Control, HDMI, 10W Speaker
- Long Lamp Life with SmartEco™



## Input and Output Terminals



- |                             |                                   |
|-----------------------------|-----------------------------------|
| 1 RS232 (DB-9pin)           | 6 Computer In 1 & 2 (D-sub 15pin) |
| 2 LAN (RJ45)                | 7 S-Video In (Mini DIN 4pin)      |
| 3 USB (Type Mini B)         | 8 Audio In L/R (RCA)              |
| 4 HDMI V1.3                 | 9 Audio In 1 & 2 (Mini Jack)      |
| 5 Monitor Out (D-sub 15pin) | 10 Composite Video In (RCA)       |
|                             | 11 Audio Out (Mini Jack)          |

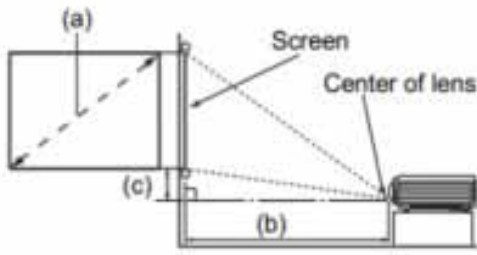
## Specifications

Projection System	DLP®	
Native Resolution	WXGA (1280 x 800)	
Brightness	3000 ANSI lumens	
Contrast Ratio	13000 : 1	
Display Color	1.07 Billion Colors	
Lens	F=2.6, f=6.9mm	
Aspect Ratio	Native 16:10 (5 aspect ratio selectable)	
Throw Ratio	0.49 (87" @ 0.91m)	
Image Size (Diagonal)	50~300"	
Zoom Ratio	Fixed	
Lamp Type	210W	
Lamp Life	4000/5000/6500 hours (Normal/Eco/Smart Eco)	
Keystone Adjustment	1D, Vertical ±30 degrees	
Projection Offset	110% ±5%	
Resolution Support	VGA(640 x 480) to UXGA(1600 x 1200)	
Horizontal Frequency	31K~102KHz	
Vertical Scan Rate	23~120Hz	
Compatibility	HDTV Compatibility: 480i, 480p, 576i, 576p, 720p, 1080i, 1080p Video Compatibility: NTSC, PAL, SECAM 3D Compatibility: PC: 120Hz Frame Sequential 3D for resolutions up to WXGA PC: 60Hz Top-bottom 3D for resolutions up to SXGA+ Video: 60Hz Frame Sequential 3D for resolutions up to 480i	
Interface	Computer in (D-sub 15pin) x 2 (shared with Component) Monitor out (D-sub 15pin) x 1 HDMI (V1.3) x 1 Composite Video in (RCA) x 1 S-Video in (Mini DIN 4pin) x 1 Audio in (Mini Jack) x 2 Audio L/R in (RCA) x 1 Audio out (Mini Jack) x 1 Speaker 10W x 1 LAN (RJ45) x 1 USB (Type mini B) x1 (Download & page up/down) RS232 (DB-9pin) x 1	
Dimensions (WxHxD)	11.3 x 4.49 x 9.16 inches (287.3 x 114.4 x 232.6 mm)	
Weight	6.21 lbs (2.8 kg)	
Power Supply	AC 100 to 240 V, 50/60 Hz	
Power Consumption	275W, Standby<1W	
Audible Noise	36/29 dBA (Normal/Economic mode)	
On-Screen Display Languages	Arabic/Bulgarian/ Croatian/ Czech/ Danish/ Dutch/ English/ Finnish/ French/ German/ Greek/ Hindi/ Hungarian/ Italian/ Indonesian/ Japanese/ Korean/ Norwegian/ Polish/ Portuguese/ Romanian/ Russian/ Simplified Chinese/Spanish/ Swedish/ Turkish/ Thai/ Traditional Chinese (28 Languages)	
Picture Modes	Dynamic/Presentation/sRGB/Cinema/User 1/User 2	
Accessories (Standard)	Remote Control w/ Battery, Power Cord (by region), User Manual CD/ Quick Start Guide, Warranty Card (by region), VGA(D-sub 15pin) Cable	
Accessories (Optional)	Spare Lamp Kit P/N: 5J.J7T05.001 Ceiling Mount P/N: 5J.J2K01.001 Wall Mount P/N: 5J.J4R10.011 3D Glasses P/N: 5J.J3925.001 Carry bag P/N: 5J.J4R09.001	
Limited Warranty	3-Year Parts & Labor / 1-Year or 2000 hours of lamp life	
UPC Code	8400460-2602-2	

\*Lamp life results will vary depending on environmental conditions and usage. Actual product's features and specifications are subject to change without notice.

# MW817ST Digital Projector

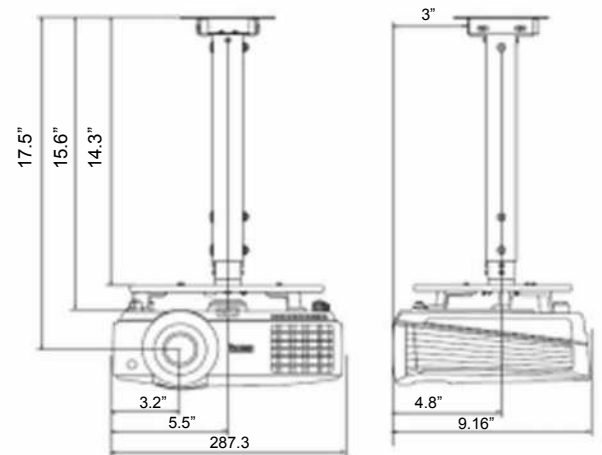
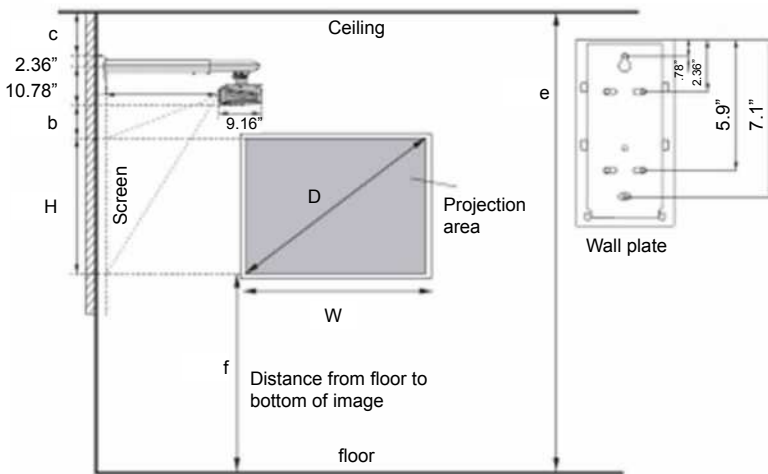
## Distance Chart



(a) Screen Size				(b) Distance from screen (inch)	(c) Vertical offset (inch)
Diagonal		W (inch)	H (inch)		
Inch	mm	(inch)	(inch)		
80	2032	42	68	33	2
100	2540	60	84	41	2.6
120	3048	64	102	50	3.1
150	3810	80	127	62	4
180	4572	96	153	75	4.7
200	5080	106	170	83	5.3
220	5588	116	186	91	5.8
240	6096	127	203	99	6.4
270	6858	143	229	112	7.2
300	7620	159	254	124	7.9

## Wall Mount Chart

$$\text{Minimum Ceiling Height (mm)} = f + H + b + 2.36'' = 10.78'' + c$$



Unit: inch

## Dimensions

