

DIGITAL PROJECTOR

# MX816ST

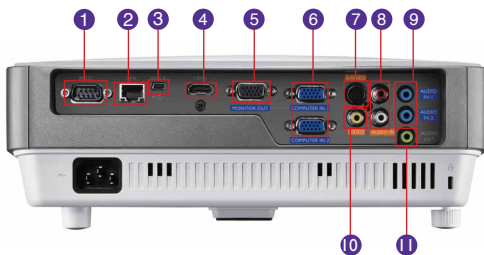


## Features

- Native XGA (1024 x 768) Resolution
- 3000 ANSI Lumens, 13000:1 Contrast Ratio
- 0.61 Short Throw Ratio
- LAN Control; HDMI x , 10W Speaker
- Long Lamp Life with SmartEco™



## Input and Output Terminals



- |                             |                                   |
|-----------------------------|-----------------------------------|
| 1 RS232 (DB-9pin)           | 6 Computer In 1 & 2 (D-sub 15pin) |
| 2 LAN (RJ45)                | 7 S-Video In (Mini DIN 4pin)      |
| 3 USB (Type Mini B)         | 8 Audio In L/R (RCA)              |
| 4 HDMI V1.3                 | 9 Audio In 1 & 2 (Mini Jack)      |
| 5 Monitor Out (D-sub 15pin) | 10 Composite Video In (RCA)       |
|                             | 11 Audio Out (Mini Jack)          |

## Specifications

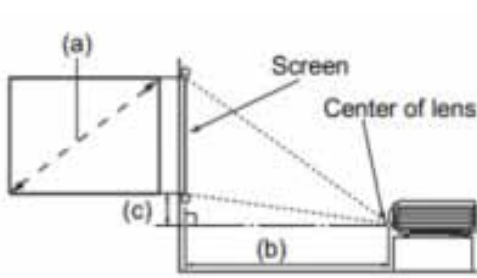
Projection System	DLP®																											
Native Resolution	XGA(1024 x 768)																											
Brightness	3000 ANSI lumens																											
Contrast Ratio	13000 : 1																											
Display Color	1.07 Billion Colors																											
Lens	F=2.6, f=6.9mm																											
Aspect Ratio	Native 4:3 (5 aspect ratio selectable)																											
Throw Ratio	0.61 (78" @ 0.96m)																											
Image Size (Diagonal)	40~300"																											
Zoom Ratio	Fixed																											
Lamp Type	210W																											
Lamp Life	4000/5000/6500 hours (Normal/Eco/Smart Eco)																											
Keystone Adjustment	1D, Vertical ±40 degrees																											
Projection Offset	130% ±5%																											
Resolution Support	VGA(640 x 480) to UXGA(1600 x 1200)																											
Horizontal Frequency	31K~102KHz																											
Vertical Scan Rate	23~120Hz																											
Compatibility	HDTV Compatibility: 480i, 480p, 576i, 576p, 720p, 1080i, 1080p Video Compatibility: NTSC, PAL, SECAM 3D Compatibility: PC:120Hz Frame Sequential 3D for resolutions up to WXGA PC: 60Hz Top-bottom 3D for resolutions up to SXGA+ Video: 60Hz Frame Sequential 3D for resolutions up to 480i																											
Interface	<table border="0"> <tr> <td>Computer in (D-sub 15pin)</td> <td>x 2 (shared with Component)</td> </tr> <tr> <td>Monitor out (D-sub 15pin)</td> <td>x 1</td> </tr> <tr> <td>HDMI (V1.3)</td> <td>x 1</td> </tr> <tr> <td>Composite Video in (RCA)</td> <td>x 1</td> </tr> <tr> <td>S-Video in (Mini DIN 4pin)</td> <td>x 1</td> </tr> <tr> <td>Audio in (Mini Jack)</td> <td>x 2</td> </tr> <tr> <td>Audio L/R in (RCA)</td> <td>x 1</td> </tr> <tr> <td>Audio out (Mini Jack)</td> <td>x 1</td> </tr> <tr> <td>Speaker</td> <td>10W x 1</td> </tr> <tr> <td>LAN (RJ45)</td> <td>x 1 (LAN Control)</td> </tr> <tr> <td>USB (Type B)</td> <td>x1 (Download &amp; page up/down)</td> </tr> <tr> <td>RS232 (DB-9pin)</td> <td>x 1</td> </tr> <tr> <td>IR Receiver</td> <td>x 2</td> </tr> </table>		Computer in (D-sub 15pin)	x 2 (shared with Component)	Monitor out (D-sub 15pin)	x 1	HDMI (V1.3)	x 1	Composite Video in (RCA)	x 1	S-Video in (Mini DIN 4pin)	x 1	Audio in (Mini Jack)	x 2	Audio L/R in (RCA)	x 1	Audio out (Mini Jack)	x 1	Speaker	10W x 1	LAN (RJ45)	x 1 (LAN Control)	USB (Type B)	x1 (Download & page up/down)	RS232 (DB-9pin)	x 1	IR Receiver	x 2
Computer in (D-sub 15pin)	x 2 (shared with Component)																											
Monitor out (D-sub 15pin)	x 1																											
HDMI (V1.3)	x 1																											
Composite Video in (RCA)	x 1																											
S-Video in (Mini DIN 4pin)	x 1																											
Audio in (Mini Jack)	x 2																											
Audio L/R in (RCA)	x 1																											
Audio out (Mini Jack)	x 1																											
Speaker	10W x 1																											
LAN (RJ45)	x 1 (LAN Control)																											
USB (Type B)	x1 (Download & page up/down)																											
RS232 (DB-9pin)	x 1																											
IR Receiver	x 2																											
Dimensions (WxHxD)	287.3 x 114.4 x 232.6 mm (11.3 x 4.49 x 9.16 inches)																											
Weight	2.8kg (6.17lbs)																											
Power Supply	AC 100 to 240 V, 50/60 Hz																											
Power Consumption	270W, Standby<1W																											
Audible Noise	36/29 dBA (Normal/Economic mode)																											
On-Screen Display Languages	Arabic/Bulgarian/ Croatian/ Czech/ Danish/ Dutch/ English/ Finnish/ French/ German/ Greek/ Hindi/ Hungarian/ Italian/ Indonesian/ Japanese/ Korean/ Norwegian/ Polish/ Portuguese/ Romanian/ Russian/ Simplified Chinese/Spanish/ Swedish/ Turkish/ Thai/ Traditional Chinese (28 Languages)																											
Picture Modes	Dynamic/Presentation/sRGB/Cinema/User 1/User 2																											
Accessories (Standard)	Remote Control w/ Battery, Power Cord (by region), User Manual CD/ Quick Start Guide, Warranty Card (by region), VGA(D-sub 15pin) Cable																											
Accessories (Optional)	<table border="0"> <tr> <td>Carry bag</td> <td>P/N: 5J.J4R09.001</td> </tr> <tr> <td>Spare Lamp Kit</td> <td></td> </tr> <tr> <td>3D Glasses</td> <td>P/N: 5J.J0T14.011</td> </tr> <tr> <td>Ceiling Mount</td> <td>P/N: 5J.J2K01.001</td> </tr> <tr> <td>0.6 Wall Mount</td> <td>P/N: 5J.J4R10.001</td> </tr> </table>		Carry bag	P/N: 5J.J4R09.001	Spare Lamp Kit		3D Glasses	P/N: 5J.J0T14.011	Ceiling Mount	P/N: 5J.J2K01.001	0.6 Wall Mount	P/N: 5J.J4R10.001																
Carry bag	P/N: 5J.J4R09.001																											
Spare Lamp Kit																												
3D Glasses	P/N: 5J.J0T14.011																											
Ceiling Mount	P/N: 5J.J2K01.001																											
0.6 Wall Mount	P/N: 5J.J4R10.001																											
Limited Warranty	3-Year Parts & Labor / 1-Year or 2000 hours of lamp life																											
UPC Code	8400460-2502-1																											

\*Lamp life results will vary depending on environmental conditions and usage. Actual product's features and specifications are

# MX816ST Digital Projector

## Distance Chart

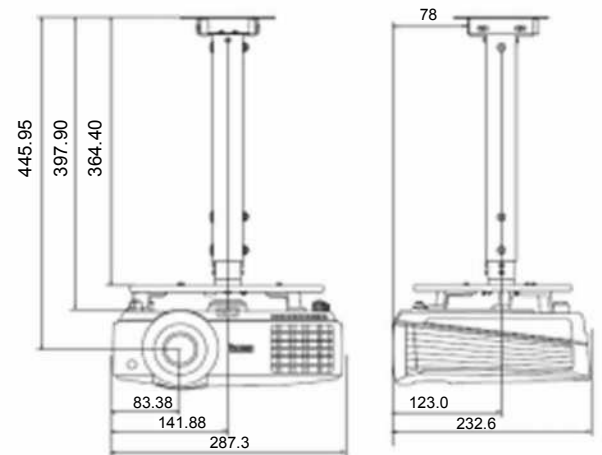
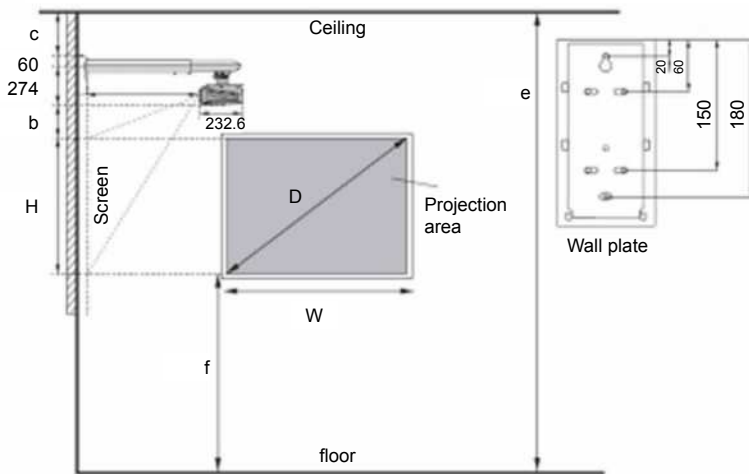
The screen aspect ratio is 4:3 and the projected picture is 4:3



(a) Screen Size				(b) Distance from screen (mm)	(c) Vertical offset (mm)
Diagonal		W (mm)	H (mm)		
Inch	mm				
80	2032	1219	1626	988	183
100	2540	1524	2032	1235	229
120	3048	1829	2438	1481	274
150	3810	2286	3048	1852	343
180	4572	2743	3658	2222	411
200	5080	3048	4064	2469	457
220	5588	3353	4470	2716	503
240	6096	3658	4877	2963	549
270	6858	4115	5486	3333	617
300	7620	4572	6096	3704	686

## Wall Mount Chart

$$\text{Minimum Ceiling Height (mm)} = f + H + b + 60 = 274 + c$$



Unit: mm

## Dimensions

