

SONY

make.believe

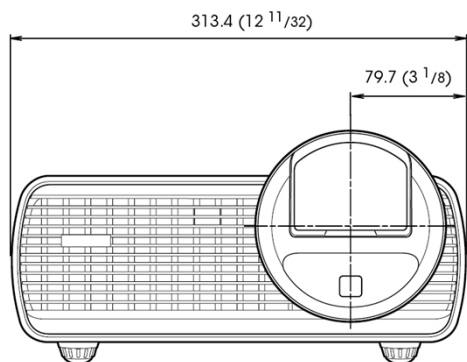
Home Theater Projector VPL-BW120S

Key Features

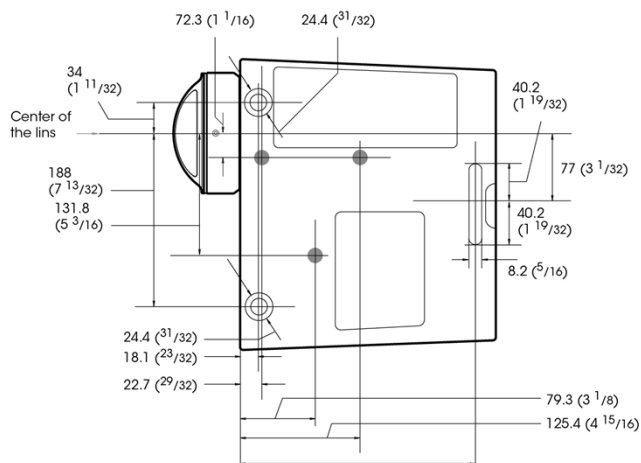
- Short throw Projection (TR= 0.62:1)
- 2,600 lumens
- Built-in speaker 2W
- Long-lasting lamp
 - Recommended lamp replacement time 6000h (low mode)
- Energy efficient design
 - Power saving mode
 - ECO MODE key

Dimensions (Front)

Unit: mm (inches)



Dimensions (Bottom)



WXGA / 2,600 lm

Optical		
Light Output / Color Light Output	2600 lumens (Lamp mode: High) 1500 lumens (Lamp mode: Low)	
LCD Panels	0.59"x3 BrightEra LCD Panel	
Panel Display Resolution	WXGA (1280x800 dots)	
Contrast Ratio	4,000:1 (Full white/full black) *1	
Light Source	Ultra high-pressure mercury lamp 210 W type	
Recommended Lamp Replacement Time*2	3000H (Lamp mode: High) 6000H (Lamp mode: Low)	
Filter Cleaning Cycle*2	Max. 6000H Same time as the lamp replacement is recommended	
Projection Lens	Focus	Manual
	Throw Ratio	0.62:1
Screen Size	50" to 100"	
Interface		
Computer and Video Input/Output	INPUT A	Mini D-sub 15-pin (RGB/Y Pb Pr) Audio: Stereo mini jack
	INPUT B	HDMI (HDCP compatible)
	VIDEO IN	Pin Jack Audio : Pin jack (x2) (shared with S VIDEO IN)
	S VIDEO IN	Mini DIN 4-pin Audio : Pin jack (x2) (shared with VIDEO IN)
Other Signal Input/Output	RS-232C	D-sub 9-pin
General		
Speaker	2Wx1 (monaural)	
Scanning Frequency	H: 19 to 92 kHz, V: 48 to 92 Hz	
Display Resolution	Computer Signal Input	Maximum display resolution : 1400x1050 dots
	Video Signal Input	Video (Composite), 15k (480/60i, 575/50i), DTV (480p/60p, 575/50p, 720/60p, 720/50p, 1080/60i, 1080/50i)
Color System	NTSC3.58, PAL, SECAM, NTSC4.43, PAL-M, PAL-N, PAL60	
UPC Code	0 27242 85596 0	
EAN / JAN Code	49 05524 89217 8	
Power Requirements	AC 100 V to 240 V, 3.0A to 1.3A, 50 Hz/60 Hz	
Power Consumption	290 W/205 W (AC 100 V-120 V)	
	275 W/190 W (AC 220 V-240 V)	
Standby Mode Power Consumption	3 W (Std)/<0.5 W (Low) (AC 100V-120 V)	
Power Consumption	3 W (Std)/<0.5 W (Low) (AC 220V-240 V)	
Dimensions (WxHxD) (without protrusion)	313.4 x 144.9 x 349.3 mm	
	12 11/32 x 5 7/10 x 13 3/4 "	
Mass	3.7 kg /8 lb 3 oz	
Optional Accessories		
Replacement Lamp	LMP-E211	
Replacement Filter	4-170-764-01 (DOOR, FILTER)	
	4-170-765-01 (Mesh, FILTER) (Filters are cleanable)	
Replacement Remote	1-489-222-11 (RM-PJ7)	

*1 The value is average.

*2 The figures are expected maintenance time and not guaranteed.
They will depend on the environment or how the projector is used.

*3 Works as an audio switcher function. Output from a selected channel, not available in standby.

Connector Panels



ProSelecta

View :: Compare :: Select - www.ProSelecta.com