



MITSUBISHI ELECTRIC

MULTIMEDIA DATA/VIDEO PROJECTORS

Changes for the Better

Operation so Simple...
Easy to use and favored by all



NEW

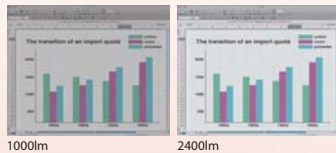
Mobile
SVGA
Projector

ES200U

3 Major Functions

1 A light 5.3lb, 2400lm brightness

The ES200U weighs in at a light 5.3lbs for excellent portability, and offers an impressive projection brightness of 2400lm. Whether used in a meeting room or classroom, clear images are reproduced even with ambient light.



2 Usability

● **Silent 29dBA Operation (Low Mode)**

● **Wall Screen**

Projects natural color images not only onto white boards, but light yellow, blue, light-green or pink walls as well -- turning nearly any wall into a projection surface.

● **Direct Power Off**

The ES200U features a direct power off function that immediately cuts all power, eliminating the annoying power-down time required before unplugging the projector. When the presentation is over, simply turn off the projector, disconnect the power, disconnect the projector, and you're ready to go. A must-have feature for people that require mobility and have busy schedules.

● **Top-loading lamp*1**

The projection lamp is installed in the upper section of the main body. Whether sitting on a shelf or suspended from the ceiling, lamp replacement is simple and easy*1, and there's never a need to move the whole projector.

*1: A lamp replacement attachment is included to prevent the lamp from being dropped during replacement.

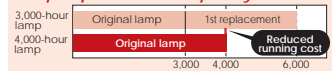


3 Ecological & Cost-efficient

● **Long 4,000hr*2 Lamp Life**

By increasing the estimated lamp life, we've added the advantages of lower maintenance and reduced operating cost.

Lamp Replacement Frequency*3



*2: When used in low lamp mode. Maximum lamp life in standard mode use is 3,000 hours.

*3: It's an estimated life time and the lamp is to be shut off upon the arrival. Lamp life refers to the average time required for brightness to be reduced by half, and not the time specified in the warranty. Lamp service life may vary widely depending on the environment and conditions, and whether or not cleaning and other maintenance procedures are followed.

● **Stand-by Mode under 1W**
Stand-by mode power consumption is less than 1W, offering increased energy savings and further contributing to environmental preservation.

More Functions

● **BrilliantColor™*5 (6-segment color wheel) Adopted**

Mitsubishi Electric's original built-in color wheel is incorporated for enhanced color reproduction. Clear, vivid images are reproduced from computer and video-player signals.

*5: BrilliantColor is a trademark of Texas Instruments.

● **18-language On-screen Display Capable**

● **Closed Caption (CC) Capable**

A closed caption decoder comes installed as standard equipment. Words spoken are processed into subtitles that are projected onto the screen. This feature conveniently addresses the needs of language students and hearing-impaired viewers.

● **Dual RGB Input Terminal**

SVGA
800x600

2400
LUMENS

2000:1
CONTRAST RATIO

4000hr
Estimated Lamp Life*

29dBA
Noise Level*
*low mode

5.3lbs
Ultra Portable

S.R.D. LAMP
TOP LOADING
USER REPLACEABLE

CLOSED
CAPTION
SUPPORT

BrilliantColor™ • Filter-Free • Wall Screen • Password Lock • Direct Power Off • Long-life Lamp

NEW

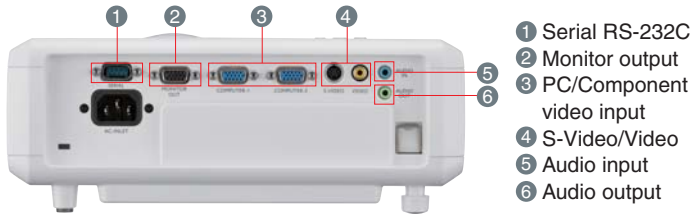


ES200U

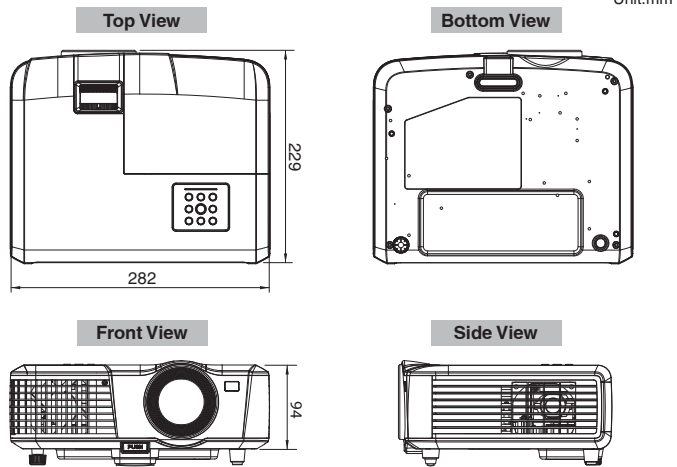
Mobile SVGA Projector

- Brilliant Color™
- Wall Screen
- Password Lock
- Direct Power Off
- Long-life Lamp
- Low Standby Power
- Picture Performance
- User Friendly
- Top Loading Lamp
- Closed Caption
- Low Fan Noise

Input and Output Terminals



Dimensions

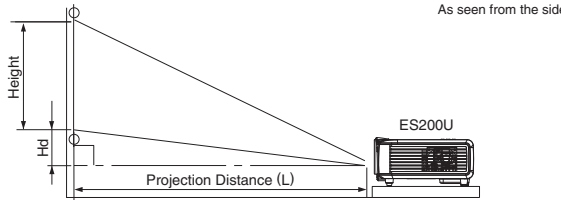


Specifications

Model	ES200U
Display Technology	0.55" 1-Chip DMD
Resolution	800 x 600 (Total 480,000 pixels)
Brightness	2400lm
Contrast Ratio	2000 : 1
Picture Size**	40" - 300"
Throw Ratio**	1.9 - 2.1
Est. Lamp Life Rating	160W (4000hr ^{±2}) with Low Mode, 185W (3000hr ^{±2}) with Standard Mode
PC Compatibility	640 x 480 - 1600 x 1200, True: 800 x 600, Sync on Green available
Video Compatibility	NTSC / NTSC 4.43 / PAL (including PAL-M, N) / SECAM / PAL-60 Component Video: 480i/p (525i/p), 576i/p (625i/p), 720p (750p), 1080i/p (1125i/p 60Hz), 1080p (1125i/p 50Hz)
Input Terminals	RGB: mini D-sub 15pin x 2 Video: RCA x 1 + S-VIDEO x 1 Audio: Stereo mini jack (ø3.5mm) x 1
Output Terminals	RGB: mini D-sub 15pin x 1 Audio: Stereo mini jack (ø3.5mm) x 1
Communication Terminal	RS-232C: D-Sub 9pin x 1
Speaker Output	2W Mono
Dimensions (W x H x D)	11.1" x 3.7" x 9.0" (Not including protrusion)
Weight	5.3lbs
Power Requirements	AC 100-240V, 50/60Hz
Optional Accessories	Replacement Lamp (VLT-EX240LP), Ceiling mount (PROJ-UCM-PRO2), Hard shell case (DKT1-ATAC)
Included Accessories	Soft carrying bag, Remote control (With 2 batteries), Power cable, VGA(D-sub) cable, User-Manual (CD-ROM), Safety manual, Lens Cap
Warranty	3-Years of Parts/Labor, 3-Years of Express Replacement Assistance (ERA), 1-year or 500 hours lamp warranty (whichever comes first)

• Compliance with ISO21118-2005
 • All brand names and product names are trademarks, registered trademarks or trade names of their respective holders.
 *1: Value may vary a few percent from that listed in the chart.
 *2: It's an estimated life time and the lamp is to be shut off upon the arrival. And it's not the time specified in the warranty.
 *3: The above numbers are approximate, and may be slightly different from the actual measurements.

Screen size and Projection distance



Screen size chart (4:3 aspect ratio)

Screen		Distance from screen (L)				Height projected image (Hd)					
Diagonal Size	Width (W)	Height (H)	Shortest (Wide)	Longest (Tele)	inch	cm	inch	cm			
40	102	32	81	24	61	60	1.5	66	1.7	2	6
60	152	48	122	36	91	90	2.3	99	2.5	4	9
80	203	64	163	48	122	120	3.0	132	3.4	5	12
100	254	80	203	60	152	150	3.8	165	4.2	6	15
150	381	120	305	90	229	225	5.7	247	6.3	9	23
200	508	160	406	120	305	300	7.6	330	8.4	12	30
250	635	200	508	150	381	375	9.5	412	10.5	15	38
300	762	240	610	180	457	450	11.4	-	-	18	46

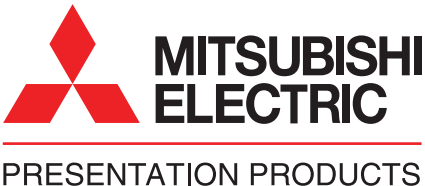
The above numbers are approximate, and may be slightly different from the actual measurements.

Screen size chart (16:9 aspect ratio)

Screen		Distance from screen (L)				Height projected image (Hd)					
Diagonal Size	Width (W)	Height (H)	Shortest (Wide)	Longest (Tele)	inch	cm	inch	cm			
40	102	35	89	20	50	66	1.7	73	1.9	6	15
60	152	52	133	29	75	99	2.5	109	2.8	9	22
80	203	70	177	39	100	132	3.4	146	3.7	12	30
100	254	87	221	49	125	166	4.2	182	4.6	15	37
150	381	131	332	74	187	248	6.3	273	6.9	22	56
200	508	174	443	98	249	331	8.4	364	9.3	29	75
250	635	218	553	123	311	414	10.5	455	11.6	37	93
275	699	240	609	135	342	455	11.6	-	-	40	103

The above numbers are approximate, and may be slightly different from the actual measurements.

MITSUBISHI ELECTRIC
VISUAL SOLUTIONS AMERICA
 Professional Product Sales
 Phone: 888.307.0349
 www.mitsubishi-presentations.com



MITSUBISHI ELECTRIC SALES
CANADA, INC.
 Display & Imaging Solutions Division
 Phone: 905.475.7728
 www.mitsubishielelectric.ca