

DIGITAL PROJECTOR

LW61ST

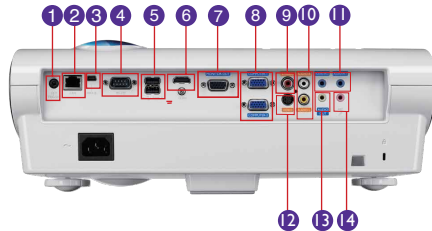


Features

- Native WXGA (1280 x 800) Resolution
- 2000 ANSI Lumens, 80000:1 Contrast Ratio
- 0.49 Throw Ratio, Light Source Pure Laser
- LAN Control, Display, USB Reader/Display
- 20W Speaker, HDMI x 1, Wireless Display (optional)



Input and Output Terminals



- | | |
|---------------------|----------------------------|
| 1 12 V Trigger | 8 Computer-1/ Computer-2 |
| 2 LAN (RJ45) | 9 S-Video |
| 3 USB (Type Mini B) | 10 Audio L/R In (RCA) |
| 4 RS-232 (DB-9pin) | 11 Audio In 1 / Audio In 2 |
| 5 USB (Type A) x 2 | 12 Video |
| 6 HDMI | 13 Audio Out |
| 7 Monitor Out | 14 Microphone in |

Specifications

Projection System	DLP
Native Resolution	WXGA(1280 x 800)
Brightness	2000 ANSI lumens
Contrast Ratio	80000:1
Display Color	1.07 Billion
Lens	F=2.59, f=6.95mm
Aspect Ratio	Native 16:10 (5 aspect ratio selectable)
Throw Ratio	0.49 (87" @ 2.98 ft)
Image Size (Diagonal)	80"~300"
Zoom Ratio	Fixed
Light Source	Laser Diode
Light Source Life (Nor/Eco Mode)*	10000/20000 hrs (Normal/Eco)
Keystone Adjustment	1D, Vertical +/- 30 degrees (Auto/Manual)
Projection Offset	110% +/-5%
Resolution Support	VGA(640 x 480) to UXGA(1600 x 1200)
Horizontal Frequency	31K~102KHz
Vertical Scan Rate	23~120Hz
HDTV Compatibility	480i, 480p, 576i, 576p, 720p, 1080i, 1080p
Video Compatibility	NTSC, PAL, SECAM
3D Compatibility (PC)	120Hz Frame Sequential 3D for resolutions up to WXGA 60Hz Top-bottom 3D for resolutions up to SXGA+
3D Compatibility (Video)	60Hz Frame Sequential 3D resolutions up to WXGA 60Hz Frame Sequential 3D for resolutions up to 480i
Interface	Computer in (D-sub 15pin) x 2 (shared with Component video) Monitor out (D-sub 15pin) x 1 Composite Video in (RCA) x 1 S-Video in (Mini DIN 4pin) x 1 Audio in (Mini Jack) x 2 Audio L/R in (RCA) x 1 Audio out (Mini Jack) x 1 Microphone in (Mini Jack) x 1 Speaker 10W x 2 HDMI V1.3 x 1 LAN (RJ45) x 1 (LAN Control & LAN Display) USB (Type A) x 2 (USB Reader&Keyboard/Mouse&Wireless Dongle) USB (Type Mini B) x 1 (USB Display & Download & Page up/down) DC 12V Trigger (3.5mm Jack) x 1 RS232 (DB-9pin) x 1
Dimensions (W x H x D)	15.5" x 5.9" x 11.73" (include adjustment footer)
Weight	11.24 lbs (5.1kg)
Power Supply	100 to 240 VAC, 50 to 60 Hz
Power Consumption	270W(Max), Standby<0.5W
Audible Noise	33/32 (Normal/Eco)
On-Screen Display Languages	Arabic/ Bulgarian/ Croatian/ Czech/ Danish/ Dutch/ English/ Finnish/ French/ German/ Greek/ Hindi/ Hungarian/ Italian/ Indonesian/ Japanese/ Korean/ Norwegian/ Polish/ Portuguese/ Romanian/ Russian/ Simplified Chinese/Spanish/ Swedish/ Turkish/ Thai/ Traditional Chinese (28 Languages)
Picture Modes	Dynamic/Presentation/sRGB/Cinema/User 1/User 2
Accessories (Standard)	Remote Control w/ Battery, Power Cord, User Manual CD, Quick Start Guide, Warranty Card, VGA(D-sub 15pin) Cable
Accessories (Optional)	0.6 Wall Mount P/N: 5J.J4R10.001 Wireless USB Dongle P/N: 5J.J0614.A21 3D Glasses P/N: 5J.J0T14.011 Carry Bag
Limited Warranty	3 Years Parts/Labor

*Lamp life results will vary depending on environmental conditions and usage. Actual product's features and specifications are subject to change without notice.

LW61ST 12-06-11-BQus



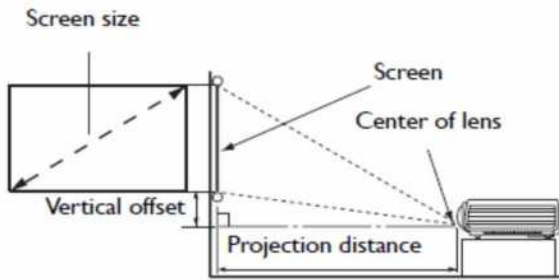
ProSelecta

View :: Compare :: Select - www.ProSelecta.com



LW6 IST Digital Projector

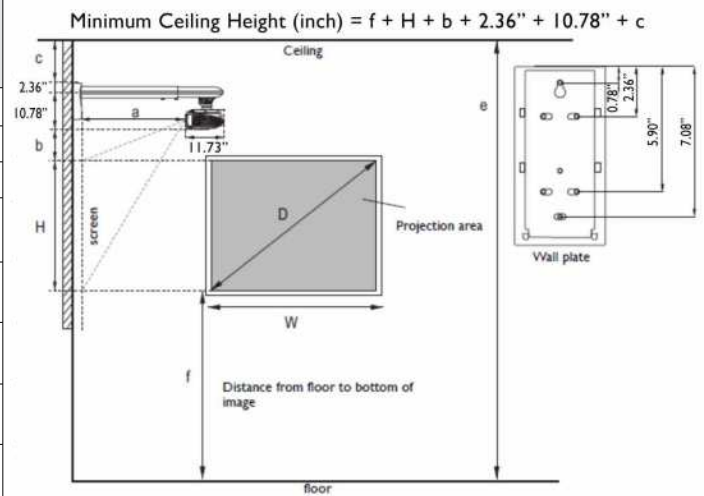
Distance Chart



Screen Size				Distance from screen (inch)	Vertical offset (inch)
Diagonal		W inch	H inch		
Inch	mm				
80	2032	68	42	33.15	2.12
100	2540	85	53	41.45	2.63
120	3048	102	64	49.72	3.18
150	3810	127	80	62.16	3.97
180	4572	153	95	74.6	4.76
200	5080	170	106	82.87	5.31
220	5588	187	117	91.18	5.82
240	6096	204	127	99.44	6.37
270	6858	229	143	111.88	7.16
300	7620	254	159	124.33	7.95

Wall Mount / Ceiling Mount Chart

Computer Resolution: WXGA Image Resolution: WXGA	Diagram Reference	SMART Board 685	Promethean ActivBoard 387	Hitachi FX- TRIO-88W	Hitachi FX- DUO-88W
Image Diagonal (inch)	D	3.42	3.42	3.46	3.46
Image Height (inch)	H	46.1	46.1	46.65	46.65
Image Width (inch)	W	73.77	73.77	74.72	74.6
Distance from floor to bottom of image (inch)	f	35.43	35.43	35.43	35.43
Distance from screen surface to projector lens	a	36.06	36.06	36.45	36.45
Distance from top case to the top of image (inch)	b	-0.37	-0.37	-0.34	-0.34
Distance from top of wall mount to ceiling (inch)	c	1.96	1.96	1.96	1.96
Minimum Ceiling Height (inch)	e	96.27	96.27	96.85	96.85



Dimensions



4.61" (Excludes Adjustment footer)

