



MS513 Digital Projector

Highlights

- Power Saving Functions
- HDMI connectivity
- Thoughtful Design

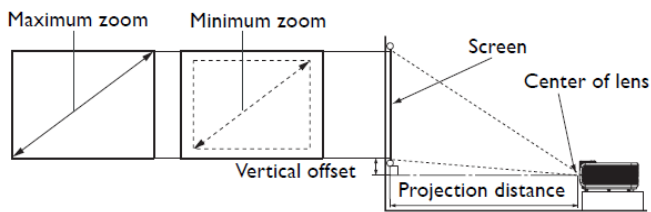


Projection System	DLP	
Native Resolution	SVGA(800x600)	
Brightness	2700 ANSI lumens	
Contrast Ratio	10000:1	
Display Color	1.07 Billion Colors	
Lens	F=2.51-2.69, f=21.95-24.18mm	
Aspect Ratio	Native 4:3 (5 aspect ratio selectable)	
Throw Ratio	1.97-2.17(50"@2m)	
Image Size (Diagonal)	30" to 300"	
Zoom Ratio	1.1:1	
Lamp Type	190W	
Lamp(Normal/Economic/SmartEco Mode)*	4500/6000/6500 hours	
Keystone Adjustment	1D, Vertical ± 40 degrees	
Projection Offset	120% ±5%	
Resolution Support	VGA(640 x 480) to UXGA(1600 x 1200)	
Horizontal Frequency	31-90KHz	
Vertical Scan Rate	50-120Hz	
Compatibility	HDTV Compatibility	480i, 480p, 576i, 576p, 720p, 1080i, 1080p
	Video Compatibility	NTSC, PAL, SECAM
	3D Compatibility	PC: 120Hz Frame Sequential 3D for resolutions up to WXGA PC: 60Hz Top-bottom 3D for resolutions up to SXGA+ Video: 60Hz Frame Sequential 3D for resolutions up to 480i
Interface	Computer in (D-sub 15pin)	x 2(Share with component)
	Monitor out (D-sub 15pin)	x 1
	Composite Video in (RCA)	x 1
	S-Video in (Mini DIN 4pin)	x 1
	Audio in (Mini Jack)	x 1
	Audio out (Mini Jack)	x 1
	Speaker	2W x 1
	HDMI V1.3	x 1
	USB (Type Mini B)	x 1 (Download & Page up/down)
	RS232 (DB-9pin)	x 1
Dimensions	Dimensions(W x H x D)	302 x 124 x 232.7 mm
	Weight	2.45kg(5.39lbs)
Power	Power Supply	AC 100 to 240 V, 50/60 Hz
	Power Consumption	245W, Standby < 1W
Audible Noise	27/25 dB (Normal/Economic mode)	
On-Screen Display Languages	English/ France/ Germany/ Italian/ Spanish/ Russian/ Traditional Chinese/ Simplified Chinese/ Japanese/ Korean/ Swedish/ Dutch/ Turkish/ Czech/ Portuguese/ Thai/ Polish/ Hungarian/ Croatian/ Romanian/ Norwegian/ Danish/ Bulgaria/ Finnish/ Indonesian/ Greek/ Hindi/ Arabic (28 Languages)	
Picture Modes	Dynamic/Presentation/sRGB/Cinema/User 1/User 2	
Accessories	Standard	Optional
	Remote Control w/ Battery	Presentation Plus P/N: 65J9306.002
	Power Cord (by region)	Spare Lamp Kit P/N: 5JJ5E05.001
	User Manual CD	Ceiling Mount P/N: 5JJ2K01.001
	Quick Start Guide	3D Glasses P/N: 5JJ0T14.011
	Warranty Card (by region)	Carry Bag
	VGA(D-sub 15pin) Cable	

*Lamp life results will vary depending on environmental conditions and usage. Actual product's features and specifications are subject to change without notice.



Distance Chart

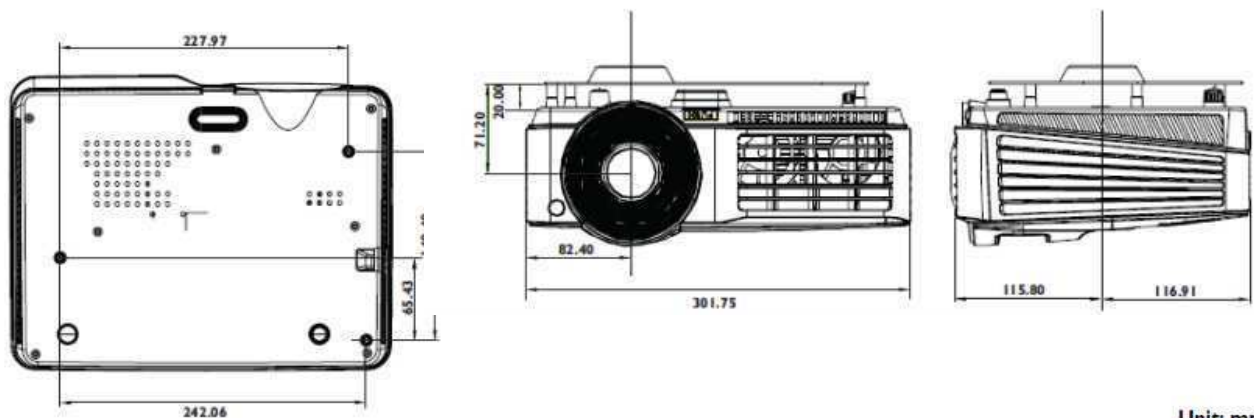


MX514/MS513

Screen size				Distance from screen (mm)			Vertical offset (mm)
Diagonal		W	H	Min length (max. zoom)	Average	Max length (min. zoom)	
Inch	mm	(mm)	(mm)				
30	762	610	457	1200	1260	1320	69
40	1016	813	610	1600	1680	1760	91
50	1270	1016	762	2000	2100	2200	114
60	1524	1219	914	2400	2520	2640	137
80	2032	1626	1219	3200	3360	3520	183
100	2540	2032	1524	4000	4200	4400	229
120	3048	2438	1829	4800	5040	5280	274
150	3810	3048	2286	6000	6300	6600	343
200	5080	4064	3048	8000	8400	8800	457
220	5588	4470	3353	8800	9240	9680	503
250	6350	5080	3810	10000	10500	11000	572
300	7620	6096	4572	12000	12600	13200	686

Wall mount Chart

Ceiling mount screws:
M4 x 8 (Max. L = 8 mm)



Unit: mm

Dimension



Unit: mm

