

SHARP®

XG-SV100W / XG-SV200X

WXGA / XGA Systems Integration Projectors

AN-SV100T

Optional Motorized Rotating Ceiling Swivel Mount Unit



Projector connected to AN-SV100T swivel unit.



3D Ready Systems Integration Projectors with Ceiling Swivel Mount Option

Provide High Image Quality, Wide Feature Set and Unique Positioning Versatility



Conference Series

Integrated Ceiling Swivel Mount Option Enables One Sharp Projector to Take The Place of What May Have Previously Required Two or More Projectors

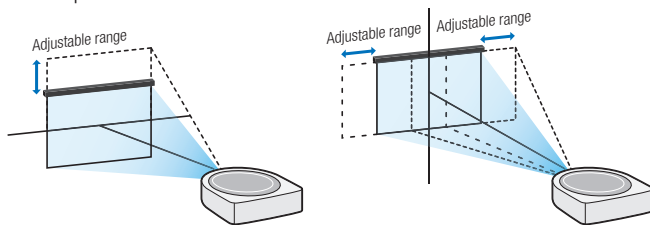
Flexible Installation

Center Lens Design

The center lens design makes it easier to install and adjust projectors in fixed installations.

Powered H&V Lens Shift with Wide-Range Motorized 2.0x Zoom Lens

This enables exceptionally wide projector placement with easier setup. When combined with the AN-SV100T optional rotating ceiling swivel mount unit, this permits one projector to automatically rotate horizontally and project, one at a time, on multiple screens.



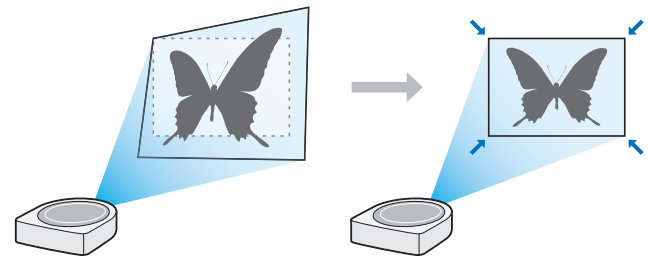
Vertical range: $\pm 50\%$ of image height

Horizontal range: $\pm 25\%$ (XG-SV200X) / $\pm 23\%$ (XG-SV100W) of image width

Automatic Geometric Keystone Adjustment with Eight Presets

These projectors include eight memory preset banks to save eight sets of geometric keystone settings. Each memory bank includes presets for horizontal swivel rotation position (when used with optional AN-SV100T ceiling swivel mount unit), lens zoom, focus, H&V shift, digital keystone, input select and picture mode.

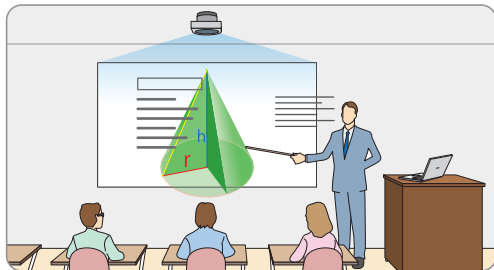
These banks can be easily selected by remote control to quickly and automatically adjust the projector and optional swivel unit, for projection on multiple screens and screen sizes.



3D Ready with DLP® Link™ Technology

3D Ready

Make sure your projector is ready for use with new 3D content. Incorporating DLP Link technology, when used with compatible 3D field sequential content and PC, and optional 3D shutter glasses that support the DLP link system, these models captivate audiences with breathtaking 3D imagery.



High Brightness

Sharp's advanced optoelectronics technology helps maximize light output providing exceptionally clear images with a high brightness of 5000 lumens (XG-SV200X) and 4500 lumens (XG-SV100W).

BrilliantColor™ DLP Technology with Five-Segment Color Wheel

BrilliantColor technology combined with a Sharp designed 2x speed, 5-segment color wheel help provide superior color accuracy with more realistic image reproduction. Incorporating segments for red, green, blue, white and yellow, these color wheels in combination with Sharp's unique color matching technology, assist in ensuring brilliant full-color images.



Reliable Performance

Lens Protection Cover

The lens protection cover helps protect the lens from dust and damage when the projector is not being used.



Easy Lamp Replacement

Front of projector lamp access helps ensure easy and safe lamp replacement even when the projector is ceiling mounted.



Sharp's Proprietary Safe Lamp Housing Structure

A unique internal shutter door on the lamp housing helps keep glass confined in the event of lamp breakage.

Sealed DLP Chip with Filter-Free Design

This helps ensure lower maintenance and operating costs.

Enhanced Anti-Theft Design

This includes LAN monitor function, reinforced metal security bar, Kensington™ lock compatibility and optional security cable kits (for use with Sharp AN-XGCM55 optional ceiling mount bracket).

Terminal Cover

By attaching the included terminal cover, cables connected to the projector are concealed, helping maintain a clean look when the projector is used in a ceiling mount installation.



SHARP
XG-SV100W

Optional Ceiling Swivel Unit (AN-SV100T) Opens Up Expanded Range of Projection Possibilities

Horizontal Rotation: 180° Right and Left

When connected to the AN-SV100T, ceiling mounted XG-SV200X and XG-SV100W projectors can easily be rotated 180° left and right (for a full 360° rotation) by remote control. Additionally, the AN-SV100T enables these projectors to be manually adjusted 10° downward. With the AN-SV100T, the functionality of lens shift, 2x zoom, focus and keystone adjustment helps provide you with easy projection setup in most any location.



Position Memory Key

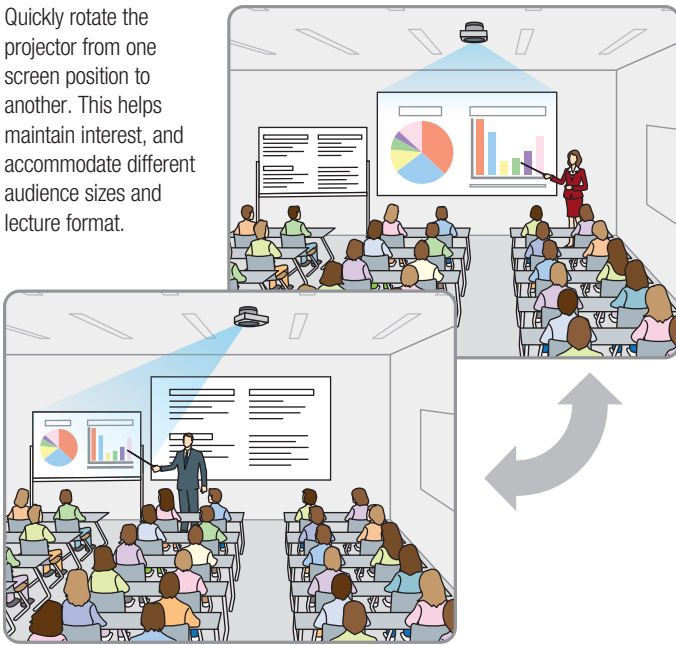
Remote Control

Position Memory

Preset projection settings saved in the projector's memory can be easily selected using the included remote control or through a 3rd party compatible control system, helping to quickly and effortlessly rotate the projector horizontally from one screen to another in a room setting. A total of eight banks of presets may be saved in the projector's memory.

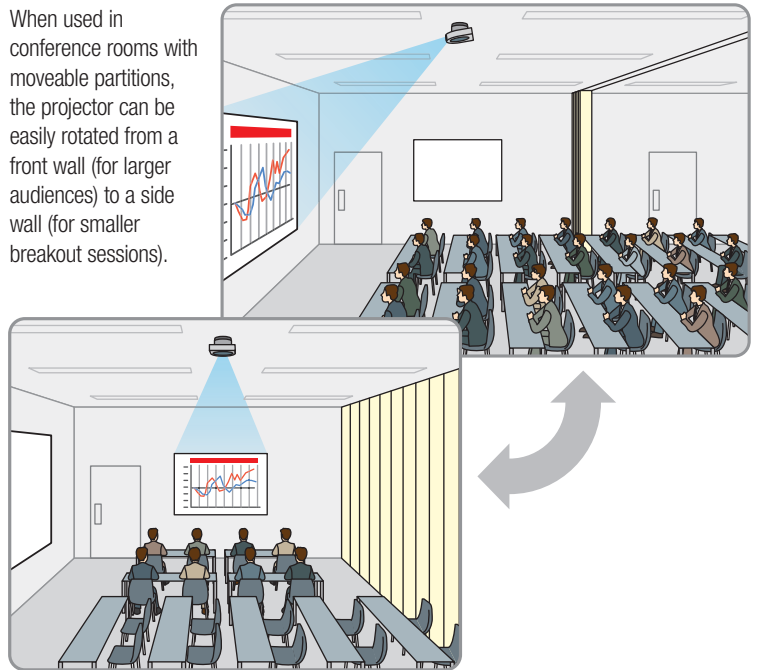
Classrooms and Lecture Halls

Quickly rotate the projector from one screen position to another. This helps maintain interest, and accommodate different audience sizes and lecture format.



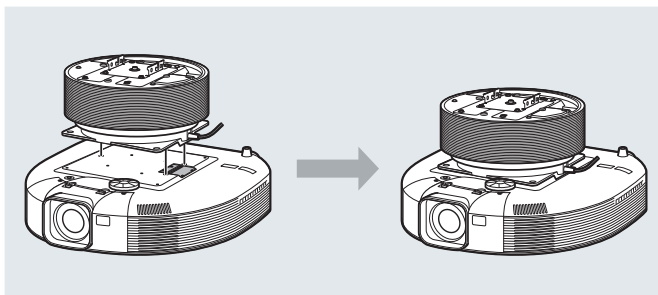
Expanded Range of Venues

When used in conference rooms with moveable partitions, the projector can be easily rotated from a front wall (for larger audiences) to a side wall (for smaller breakout sessions).



Secure Mounting with Docking Station

The projector and ceiling swivel unit incorporate mating multi-pin board-to-board docking connectors. Once the projector is docked to the swivel mount, all projector connections are made through the connector panel on the swivel mount unit, helping make the installation quick, easy and neat.



Note: a ceiling mounting bracket is required when using the AN-SV100T swivel unit.



AN-SV100T

Smart Cable Management

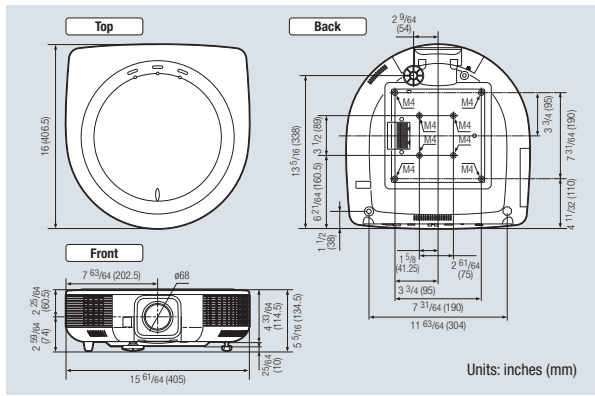
A terminal cover is included with the AN-SV100T to help ensure smart cable management.



Cable Cover

Photo: projector connected to optional AN-SV100T with cable cover in place.

Dimensions (XG-SV100W/SV200X)



System Dimensions

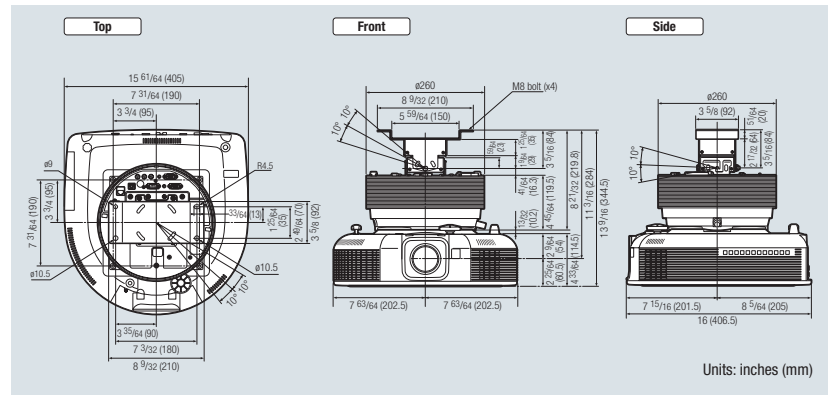
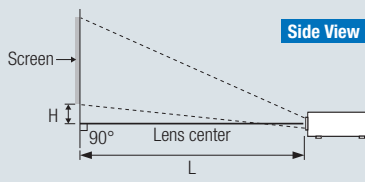


Image Projection

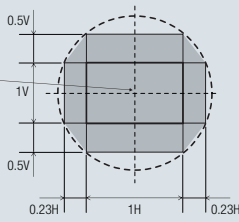
Screen Size and Projection Distance



Lens Shift Adjustable Range

Position of an image when centered both vertically and horizontally in lens shift

V: Height of the image
H: Width of the image



XG-SV100W Normal Mode (16:10 Aspect Ratio)

Diag.(X)	Projection Distance (L)		Distance from lens center to bottom of the image (H)		Distance from the lens center to the center of the image (W)
	Minimum (L1)	Maximum (L2)	Lower (H1)	Upper (H2)	
40"	4' 3"	8' 6"	-21 13/64"	0"	+/- 8 1/32"
60"	6' 5"	12' 10"	-31 51/64"	0"	+/- 12 3/64"
100"	10' 8"	21' 4"	-53"	0"	+/- 20 3/32"
200"	21' 4"	42' 8"	-106"	0"	+/- 40 11/64"
300"	32' 0"	64' 0"	-159"	0"	+/- 60 17/64"

XG-SV200X Normal Mode (4:3 Aspect Ratio)

Diag.(X)	Projection Distance (L)		Distance from lens center to bottom of the image (H)		Distance from the lens center to the center of the image (W)
	Minimum (L1)	Maximum (L2)	Lower (H1)	Upper (H2)	
40"	4' 0"	7' 11"	-24"	0"	+/- 8"
60"	5' 11"	11' 11"	-36"	0"	+/- 12"
100"	9' 11"	10' 10"	-60"	0"	+/- 20"
200"	19' 10"	39' 8"	-120"	0"	+/- 40"
300"	29' 8"	59' 6"	-180"	0"	+/- 60"

Please allow a margin of error in the above values.

3D Signal Compatibility

Signal	Horizontal frequency [kHz]	Vertical frequency [Hz]	Analog Support	Digital Support
SVGA	800 x 600	37.9	✓	✓
		77.1	✓	✓
XGA	1,024 x 768	48.4	✓	✓
		98.6	✓	✓
WXGA	1,280 x 800	49.7	✓	✓
		101.6	✓	✓
	1,280 x 720	45.0	✓	✓
		92.6	✓	✓

*1 Reduced blanking

Specifications

Models	XG-SV100W	XG-SV200X
Display devices	0.65" DLP chip x1	0.7" DLP chip x 1
Resolution	WXGA (1280 x 800)	XGA (1024 x 768)
Brightness	4,500 lumens	5,000 lumens
Contrast ratio	2000:1	
Lens	F number	F2.5 to 3.7
	Zoom	Powered, x2.0 (f = 21.2 to 42.0 mm)
	Focus	Powered
	Shift	Vertical: +/-50%, Horizontal: +/-23%
Projection distance	40" (1.3 to 2.6 m), 100" (3.2 to 6.5 m)	40" (1.2 to 2.4 m), 100" (3.0 to 6.0 m)
Input signals	Computer RGB	UXGA**2, WSXGA+**2, SXGA+*, SXGA*, WXGA, XGA, SVGA, VGA, Mac 21"/19"/16"/13"
	DTV	1080P, 1080i, 720P, 576P, 576i, 400, 480i, NTSC, PAL, SECAM
Input terminals	HDMI® x 1, Computer/Component (mini D-sub 15-pin) x 2, S-video (mini DIN 4-pin) x 1, Video (RCA pin) x 1, Audio (3.5 mm stereo minijack) x 1, Audio (RCA pin) x 1 pair (LR)	
Output terminals	Computer/Component (mini D-sub 15-pin) x 1 (switchable), Audio (3.5 mm stereo minijack) x 1 (variable audio line-out)	
Control and communication terminals	LAN (RJ-45) x 1, USB (Type B) x 1, RS-232C (D-sub 9-pin) x 1	
Built-in speakers	10 W (mono)	
Fan noise	39 dB (Bright), 34 dB (Eco+Quiet)	
Projection lamp	400W, DC type. Replacement Part Number: AN-SV10LP or AN-SV10LP/1	
Lamp life	Up to 1500 Hours (Bright) / Up to 2500 Hours (Eco+Quiet)	
Rated voltage	AC 100 to 240V	
Power consumption (Standby) Eco+Quiet Off	516 W (12.2 W) with AC 100V; 495 W (12.8 W) with AC 240V	
Dimensions (main body only) (W x H x D)	15 61/64" x 4 33/64" x 16" (405 x 114.5 x 406.5 mm)	
Weight (approx.)	16.5 lbs. (7.5 kg)	
Supplied accessories	Remote control, two R-6 batteries, power cord (6' (1.8m)), RGB cable 10' (3.0 m), terminal cover, operation manual, CD-ROM	
Optional accessories	AN-SV100T rotating ceiling swivel mount unit (requires ceiling mounting bracket); AN-XGCM55 ceiling mounting bracket; AN-EP101B ceiling mount extension tube; AN-JT200 angle mount joint for use with ceiling mount; AN-CMCS16 16" security cable system for use with ceiling mount; AN-CMCS46 46" security cable system for use with ceiling mount; AN-C3CP2 10' 3-RCA (component video) to 15-pin D-sub cable; X102 3D active shutter glasses.	
UPC	074000374171	074000374188
Limited warranty	3 Years Parts and Labor including 3 Years "ER" 24-Hour Turnaround Express Repair. 90 day warranty on user-replaceable projection lamp	

Model	AN-SV100T
Rotation angle	Horizontal (motorized) Right/Left (each): 0° to 180° (0° Center position); Vertical (manual) : 0° to -10°
Memory preset banks (8)	Each memory bank includes presets for horizontal swivel rotation position, lens zoom, focus, horizontal and vertical shift, keystone, input selection, and picture mode
Rotation life	Minimum 40,000 rotations. (Based on 0-180° rotation; 10 second interval time; ceiling mount installation; 77° room temperature.)
Rotation speed	Approx. 6° per second
Position accuracy	+/- 1.0" (when position memory function is used)
Power consumption	516W (with SV100W or SV200X)
Dimensions (main body only) (W x H x D)	10 15/16" x 10 15/16" x 4 45/64" (278 x 278 x 119 mm)
Weight (approx.)	9.3 lbs. (4.2 kg)
Supplied accessories	Terminal cover, installation bracket, anti-sway plate A (x1), anti-sway plate B (x2), M4 bolts (x4), M3 bolts (x2), installation manual
UPC	074000374195

SHARP ELECTRONICS CORPORATION
Professional Display Division
Sharp Plaza, Mahwah, NJ 07495-1163
For more information: call 1-866-4-VISUAL (1-866-484-7825) or email www.sharpusa.com/projectors

Design and specifications are subject to change without notice.*1 Compatible in intelligent compression *2 Analog RGB signal only. • Lamp life may vary depending on the usage conditions. • Brightness values indicate overall average values of the product at the time of shipment and are stated based on ISO 2118-2005. Sharp and related trademarks are trademarks or registered trademarks of Sharp Corporation and/or its affiliated entities. DLP, DLP Link, DLP Medallion and BrilliantColor are trademarks or registered trademarks of Texas Instruments. HDMI is a registered trademark of HDMI Licensing LLC. P.JLink and the P.JLink logo are trademarks or registered trademarks of Japan Business Machine and Information System Industries Association. Pacific Media Associates and Buckaroo are trademarks or registered trademarks of Pacific Media Associates. Kensington is a trademark of ACCO World Corporation with issued registrations and pending applications in other countries throughout the world. All other trademarks are property of their respective owners.

SHARP®