

Featuring
ColorView™

MITSUBISHI X50

XGA LCD Ultraportable Projector

The Best Value In Ultraportable XGA Projectors.



From your living room to your conference room – in your den or in your class – Mitsubishi offers you the better choice that impresses both you and your audience. Whether yours is a story to tell or a pitch to sell, Mitsubishi's X50 ultraportable projector provides a lighter and brighter presentation solution.

With the X50, Mitsubishi is again leading the way with a lighter, brighter and more reliable LCD ultraportable projector for worry-free presentations on the road or in your workplace.

- Up to 1100 ANSI lumens typical for super bright presentations
- 250:1 contrast ratio for rich, vivid colors
- Compact, lightweight design (7 lbs. for ultraportability)
- Polysilicon three-panel LCD system; 1024 x 768 XGA native resolution
- Projects images from 40 inches to 300 inches; suitable for front, rear and ceiling mount installations
- 150-watt UHP lamp with 2000 hour lamp life
- ColorView™ Natural Color Matrix Algorithm for vividly true colors with exceptional accuracy
- Point-'n-Zoom digital image magnification
- Manually adjustable zoom and focus
- RS-232 communication terminal, 1 for PC, 1 for MAC
- Simple, one-touch auto set-up function; plug and play compatibility supporting one computer and one video input simultaneously
- Accepts S-VHS, NTSC, NTSC 4.43, PAL, and SECAM video formats and computer inputs from Apple®, IBM®, and many workstation computers
- Three-year parts & labor warranty, 90-day warranty on the light source, 7-day, toll-free support, plus a 3-year Emergency Roadside Assistance (ERA) program that guarantees free replacement product shipped overnight for next business-day delivery

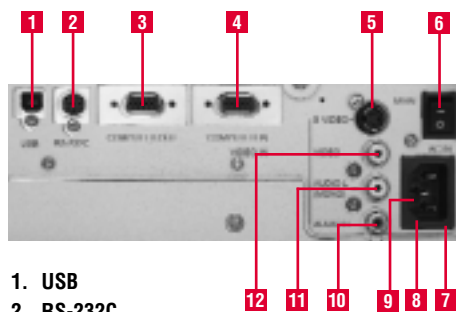
Designed for
Microsoft
Windows NT
Windows 98



 **MITSUBISHI**
PRESENTATION PRODUCTS
Innovation On Display_{sm}

MITSUBISHI X50

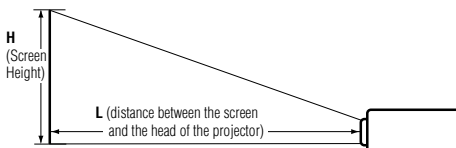
XGA LCD ULTRAPORTABLE PROJECTOR



1. USB
2. RS-232C
3. Computer Out
4. Computer In
5. S-Video
6. Main Power
7. AC In
8. Power Jack
9. Ground Terminal
10. Audio Input
11. Audio Input
12. Video In



The top panel controls provide full projector and computer control.



ORIENTATION OF THE PROJECTOR

Picture size can be set by changing the distance between the screen and the projector.

To find the approximate distance between the projector and screen: multiply the width of the screen x 1.9 (min.), multiply the width of the screen x 2.4 (max.)

Refer to the chart for recommended distances in maximum zoom and minimum zoom.

SPECIFICATIONS

Display Technology	0.9" x 3 Polysilicon LCD panel
Resolution	True XGA 1024 x 768 with compression for 1280 x 1024 SXGA maximum
Brightness (ANSI Lumens)	750 typical
Colors	Exclusive Mitsubishi ColorView™ Natural Color Matrix supports 16.7 million colors (32 bits). Red, green, blue, cyan, yellow, magenta axis are independently adjustable.
Contrast Ratio	250:1
Lens	F2.3 (100":3.8m)
Picture Size	40" - 300" diagonal
Point-'n-Zoom Digital Image Magnification	This variable enlargement function allows the section of an image to be magnified for better and clearer viewing. Comes standard with a single-screen view.
Color Accuracy	Mitsubishi's patented Natural Color Matrix Algorithm reproduces vivid, true color with exceptional accuracy.
Lamp	Type: 150-watt UHP lamp; with 2000 hours lamp life (user replaceable)
Computer Compatibility	PCs, Macintosh® computers, workstations up to 1280 x 1024
Video Compatibility	NTSC, NTSC 4.43, PAL, PAL M, PAL N, SECAM, PAL 60, component video, HDTV
Input Terminals	RGB1; mini D-sub 15 pin x 1 Video; RCA x 1 + SVHS x 1 Audio; RCA x 2 (stereo)
Output Terminals	RGB; mini-D-sub 15 pin x 1
Communication Terminals	RS-232C x 1 (Direct command is available); DIN8-pin USB terminal for Mouse
Scanning Rates	H: 15 - 92 kHz; V: 50 - 85 Hz; Dot Clock: maximum 160 MHz
Audio	1W mono
USB Mouse Port	USB Mouse is supported for maximum productivity and ease of use
Remote Control/Laser Pointer	Wireless remote with direct input access. Full projector and computer control with mouse and built-in laser pointer.
Height Adjuster	One push front leg bar with stabilizers (0 - 7° variable)
Weight	7 lbs. (3.2 kg)
Dimensions (W x H x D) (with legs)	9.5 x 3.1 x 11.5" (242 x 79 x 294 mm)
Power	AC 100 - 240V ±10%, 50/60 Hz
Power Consumption	230 Watts
Kensington Lock-Ready	Protects from theft or preventable losses
Safety Approvals	CSA, CSA NRT L/C, FCC Class-A
Warranty	Three-year parts and labor; 90 days on light source lamp. Also includes three-year Emergency Roadside Assistance program that guarantees free replacement projector shipped overnight for next business day delivery.
Accessories	Standard AC power cable; video cable; audio cable; RGB cable; RS-232C cable; PS2 adapter for RS-232C cable; mouse cursor control for remote unit; laser pointer; lens cap; soft carrying case; and users manual Optional Spare lamp bulb; ceiling mount kit; MAC adapter; USB cable; and mouse adapter.

For more information on the X50 or any of Mitsubishi's other projectors or presentation products, contact Mitsubishi Digital Electronics today. Detailed technical specifications available upon request.

Projector Part Number: LVPX50U

STANDARD PROJECTION THROW DISTANCE CHART

Diagonal Size (inch)	Screen		Distance from screen (L)/(Approximate)			
	Height (inch)	Width (inch)	Maximum Zoom (inch)		Minimum Zoom (inch)	
40"	24"	32"	153	60"	247	97"
60"	36"	48"	233	92"	374	147"
80"	48"	64"	312	123"	501	197"
100"	60"	80"	392	154"	628	247"
120"	72"	96"	472	186"	755	297"
140"	84"	112"	551	217"	882	347"
160"	96"	128"	631	248"	1009	397"
180"	108"	144"	711	280"	1135	447"
200"	120"	160"	790	311"	1261	496"
300"	180"	240"	1166	459"	1861	733"

The above numbers are approximate, and may be slightly different from the actual measurements.

©2000 Mitsubishi Digital Electronics America, Inc. Standard features, options and specifications subject to change without notice. Microsoft, Windows, and the Windows logo are registered trademarks of Microsoft Corporation. Mac and the Mac logo are trademarks of Apple Computer, Inc, registered in the U.S. and other countries. All other trademarks or registered trademarks are the property of their respective holders. Brightness can vary up to +/- 20% from typical depending on lamp, operating condition and room lighting.

Printed on 50% recycled paper including 20% post-consumer fibers, processed chlorine free. Printed with vegetable based inks.

Mitsubishi Digital Electronics America, Inc.
Presentation Products Division
9351 Jeronimo Road
Irvine, CA 92618
Telephone: 888-307-0312
QWIKFAX: 800-937-2094

Canada:
Mitsubishi Electric Sales Canada Inc.
Information Technologies Group
Markham, Ontario 905-475-7728

World Wide Web:
<http://www.mitsubishi-presentations.com>

MITSUBISHI
PRESENTATION PRODUCTS
Innovation On Display_{sm}