

# **VS400 Projector User's Guide**



---

# Contents

<b>Introduction to Your Projector .....</b>	<b>7</b>
Projector Features.....	7
Product Box Contents.....	7
Additional Components .....	8
Optional Equipment and Replacement Parts.....	9
Registration and Warranty Information.....	10
Notations Used in the Documentation.....	10
Where to Go for Additional Information .....	10
Projector Parts Locations .....	11
Projector Parts - Front/Top .....	11
Projector Parts - Rear .....	12
Projector Parts - Base.....	13
Projector Parts - Control Panel .....	14
Projector Parts - Remote Control.....	15
<b>Setting Up the Projector .....</b>	<b>17</b>
Projector Placement.....	17
Projector Setup and Installation Options .....	17
Projection Distance.....	19
Projector Connections.....	22
Connecting to Computer Sources.....	22
Connecting to a Computer for USB Video.....	23
Connecting to a Computer for VGA Video .....	24
Connecting to a Computer for USB Mouse Control.....	25
Connecting to Video Sources .....	26
Connecting to a Component-to-VGA Video Source .....	27
Connecting to an RGB VGA Video Source .....	27
Connecting to an S-Video Video Source.....	27
Connecting to a Composite Video Source .....	28
Installing Batteries in the Remote Control .....	28
Opening the Lens Cover .....	30

<b>Using Basic Projector Features .....</b>	<b>32</b>
Turning On the Projector .....	32
Turning Off the Projector .....	34
Selecting the Language for the Projector Menus.....	36
Adjusting the Image Height .....	36
Image Shape .....	37
Correcting Image Shape With the Keystone Buttons.....	38
Resizing the Image With the Zoom Ring .....	38
Focusing the Image Using the Focus Ring.....	39
Remote Control Operation .....	40
Using the Remote Control as a Wireless Mouse .....	41
Using the Remote Control as a Presentation Pointer .....	42
Selecting an Image Source .....	43
Projection Modes .....	45
Changing the Projection Mode Using the Remote Control .....	46
Changing the Projection Mode Using the Menus.....	46
Image Aspect Ratio .....	47
Changing the Image Aspect Ratio .....	48
Available Image Aspect Ratios.....	48
Color Mode.....	49
Changing the Color Mode.....	49
Available Color Modes.....	50
Turning On Auto Iris.....	50
<b>Adjusting Projector Features .....</b>	<b>52</b>
Shutting Off the Picture Temporarily .....	52
Stopping Video Action Temporarily .....	53
Zooming Into and Out of Images .....	53
Projector Security Features.....	54
Password Security Types .....	55
Setting a Password .....	55
Selecting Password Security Types.....	56
Entering a Password to Use the Projector .....	57
Saving a User's Logo Image to Display.....	58

Locking the Projector's Buttons .....	61
Unlocking the Projector's Buttons .....	61
Installing a Security Cable .....	62
Projector Identification System for Multiple Projector Control.....	62
Setting the Projector ID.....	63
Setting the Remote Control ID.....	63
Matching Multiple-Projector Display Quality .....	64
<b>Adjusting the Menu Settings .....</b>	<b>66</b>
Using the Projector's Menus.....	66
Image Quality Settings - Image Menu .....	68
Input Signal Settings - Signal Menu .....	70
Projector Feature Settings - Settings Menu.....	74
Projector Setup Settings - Extended Menu .....	75
Projector Information Display - Info Menu .....	78
Projector Reset Options - Reset Menu.....	81
<b>Maintaining and Transporting the Projector .....</b>	<b>82</b>
Projector Maintenance .....	82
Cleaning the Lens.....	82
Cleaning the Projector Case.....	83
Air Filter and Vent Maintenance .....	83
Cleaning the Air Filter and Vents.....	83
Replacing the Air Filter.....	84
Projector Lamp Maintenance.....	87
Replacing the Lamp .....	88
Resetting the Lamp Timer.....	93
Replacing the Remote Control Batteries .....	94
Transporting the Projector.....	96
<b>Solving Problems .....</b>	<b>97</b>
Projection Problem Tips .....	97
Projector Light Status .....	98
Using the Projector Help Displays.....	100
Solving Image Problems .....	100
Solutions When No Image Appears.....	101

Solutions When "No Signal" Message Appears.....	101
Displaying From a PC Laptop .....	102
Displaying From a Mac Laptop .....	102
Solutions When "Not Supported" Message Appears .....	102
Solutions When Only a Partial Image Appears .....	103
Solutions When the Image is Not Rectangular .....	103
Solutions When the Image Contains Noise or Static .....	104
Solutions When the Image is Fuzzy or Blurry .....	104
Solutions When the Image Brightness or Colors are Incorrect .....	105
Solving Projector or Remote Control Operation Problems .....	106
Solutions to Projector Power or Shut-Off Problems .....	106
Solutions to Problems With the Remote Control.....	107
Solutions to Password Problems .....	107
Where to Get Help.....	108
<b>Technical Specifications .....</b>	<b>110</b>
General Projector Specifications .....	110
Projector Lamp Specifications.....	111
Remote Control Specifications .....	112
Projector Dimension Specifications.....	112
Projector Electrical Specifications .....	112
Projector Environmental Specifications.....	113
Projector Safety and Approvals Specifications.....	113
Supported Video Display Formats.....	113
<b>Notices .....</b>	<b>116</b>
Important Safety Information .....	116
Important Safety Instructions.....	116
FCC Compliance Statement.....	119
Trademarks .....	120
Copyright Notice.....	120
Copyright Attribution .....	121

---

# Introduction to Your Projector

Refer to these sections to learn more about your projector and this manual.

[Projector Features](#)

[Notations Used in the Documentation](#)

[Where to Go for Additional Information](#)

[Projector Parts Locations](#)

## Projector Features

The VS400 projector includes these special features:

- Up to 4000 lumens of brightness (white light output and color light output)
- Native resolution of 1024 X 768 pixels (XGA)
- Plug-and-play USB projection
- 2000:1 contrast ratio and Auto Iris control for crisply detailed images
- Epson Instant Off® and Direct Power On features for quick setup and shut down

[Product Box Contents](#)

[Additional Components](#)

[Optional Equipment and Replacement Parts](#)

[Registration and Warranty Information](#)

**Parent topic:** [Introduction to Your Projector](#)

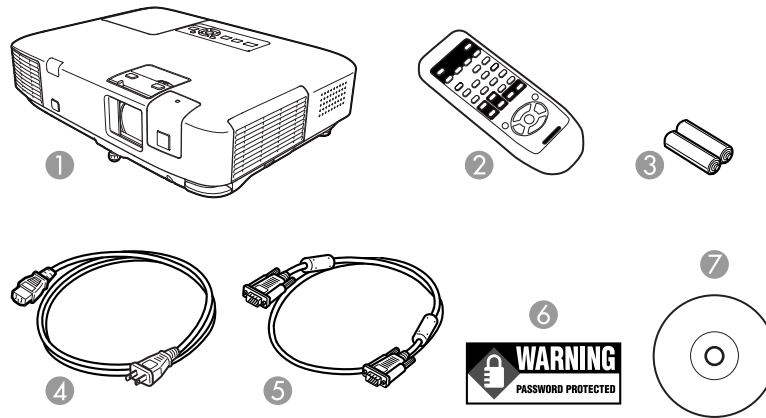
**Related concepts**

[Projector Parts Locations](#)

## Product Box Contents

Save all the packaging in case you need to ship the projector. Always use the original packaging (or equivalent) when shipping.

Make sure your projector box included all of these parts:



- 1 Projector
- 2 Remote control
- 3 Remote control batteries
- 4 Power cord
- 5 VGA computer cable
- 6 Password Protected sticker
- 7 Projector registration and documentation CD-ROM

Parent topic: [Projector Features](#)

## Additional Components

Depending on how you plan to use the projector, you may need to obtain the following additional components:

- To receive an S-Video signal, you need an S-Video cable. This may be provided with your video device, or you can purchase one from Epson or an authorized Epson reseller.
- To receive a component video signal, you need a D-sub, 15-pin, component-to-VGA video cable. You can purchase one from Epson or an authorized Epson reseller.

Parent topic: [Projector Features](#)



## Optional Equipment and Replacement Parts

You can purchase screens, other optional accessories, and replacement parts from an Epson authorized reseller. To find the nearest reseller, call 800-GO-EPSON (800-463-7766). Or you can purchase online at [www.epsonstore.com](http://www.epsonstore.com) (U.S. sales) or [www.epson.ca](http://www.epson.ca) (Canadian sales).

Epson offers the following optional accessories and replacement parts for your projector:

Option or part	Part number
Replacement lamp (ELPLP53)	V13H010L53
Air filter replacement set (2 filters; ELPAP24)	V13H134A24
SwissGear® backpack	ELPKS63
Universal projector ceiling mount	ELPMBPJF
Advanced projector ceiling mount	ELPMBPRG
High Security projector ceiling mount	ELPMBATA
Adjustable suspended ceiling channel kit	ELPMBP01
False ceiling plate kit	ELPMBP02
Structural Round ceiling plate	ELPMBP03
Adjustable Extension Column (pipe) 8" - 11" (20.3 to 27.9 cm)	ELPMBC01
Kensington security lock	ELPSL01
Accolade® Duet™ portable projector screen	ELPSC80
50-inch portable screen (4:3 aspect ratio)	ELPSC06
60-inch portable pop-up screen (4:3 aspect ratio)	ELPSC07
80-inch portable pop-up screen (4:3 aspect ratio)	ELPSC08
Component-to-VGA video cable	ELPKC19
S-Video cable	ELPSV01
Distribution amplifier	ELPCA01
Remote control	1507996

Parent topic: [Projector Features](#)

## Registration and Warranty Information

Your projector comes with a basic warranty that lets you project with confidence. For details, see the warranty brochure that came with your projector.

In addition, Epson offers free Extra Care™ Road Service. In the unlikely event of an equipment failure, you won't have to wait for your unit to be repaired. Instead, Epson will ship you a replacement unit anywhere in the United States or Canada. See the Extra Care Road Service brochure for details.

Register your product online using the projector CD or at this site: [www.epson.com/webreg](http://www.epson.com/webreg)

Registering also lets you receive special updates on new accessories, products, and services.

**Parent topic:** [Projector Features](#)

## Notations Used in the Documentation

Follow the guidelines in these notations as you read your documentation:

- **Warnings** must be followed carefully to avoid bodily injury.
- **Cautions** must be observed to avoid damage to your equipment.
- **Notes** contain important information about your projector.
- **Tips** contain additional projection information.

**Parent topic:** [Introduction to Your Projector](#)

## Where to Go for Additional Information

Need quick help on using your projector during a presentation? Here's where to look for help:

- **Built-in help system**

Press the **Help** button on the remote control or projector to get quick solutions to common problems.

- [www.epson.com/support](http://www.epson.com/support)

View FAQs (frequently asked questions) and e-mail your questions to Epson technical support 24 hours a day.

- If you still need help after checking this manual and the sources listed above, you can use the Epson PrivateLine® Support service to get help fast. For details, see "Where to Get Help."

**Parent topic:** [Introduction to Your Projector](#)

### Related references

[Where to Get Help](#)

## Projector Parts Locations

Check the projector part illustrations to learn about the parts on your projector.

[Projector Parts - Front/Top](#)

[Projector Parts - Rear](#)

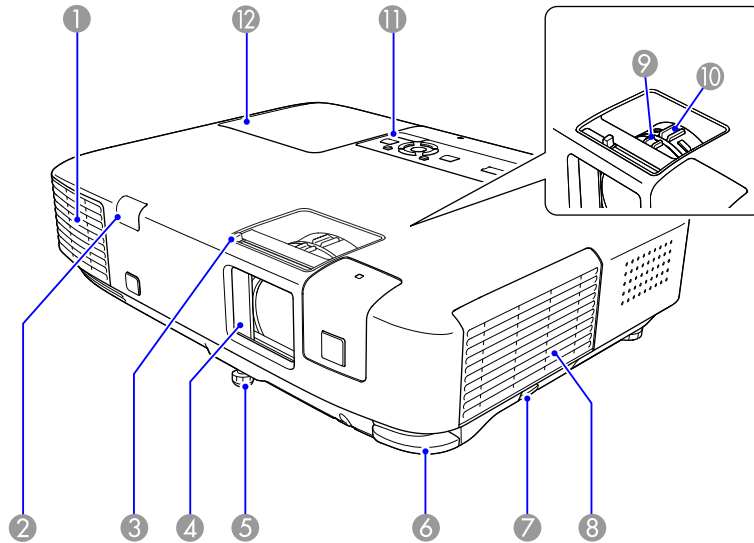
[Projector Parts - Base](#)

[Projector Parts - Control Panel](#)

[Projector Parts - Remote Control](#)

**Parent topic:** [Introduction to Your Projector](#)

### Projector Parts - Front/Top

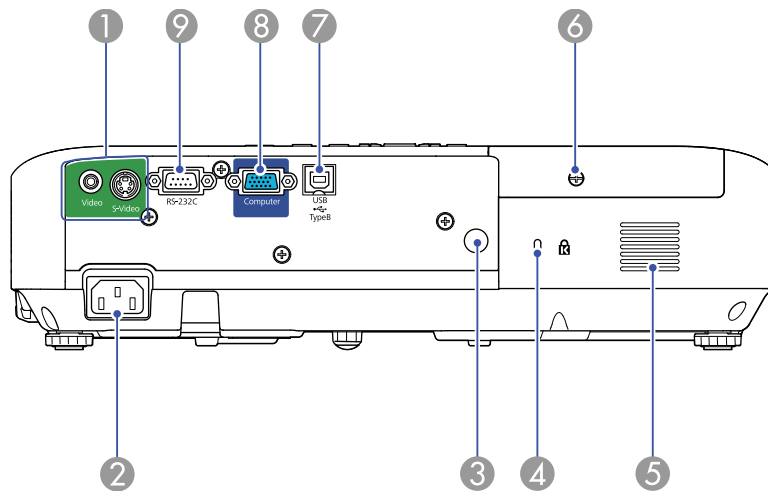


- 1 Exhaust vent
- 2 Remote receiver
- 3 A/V Mute slide lever
- 4 A/V Mute slide (lens cover)
- 5 Front adjustable foot

- 6 Foot release lever
- 7 Air filter cover latch
- 8 Air filter cover
- 9 Focus ring
- 10 Zoom ring
- 11 Control panel
- 12 Lamp cover

Parent topic: [Projector Parts Locations](#)

## Projector Parts - Rear

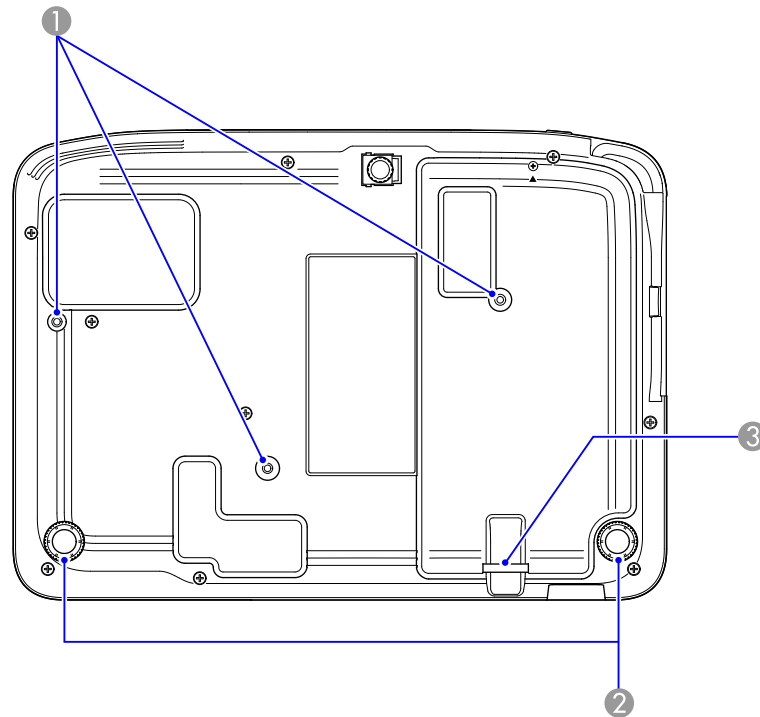


- 1 **Video** and **S-Video** ports
- 2 A/C input port
- 3 Remote receiver
- 4 Security lock port
- 5 Air intake vent

- 6 Lamp cover screw
- 7 **USB TypeB** port
- 8 **Computer** port
- 9 **RS-232C** port

Parent topic: [Projector Parts Locations](#)

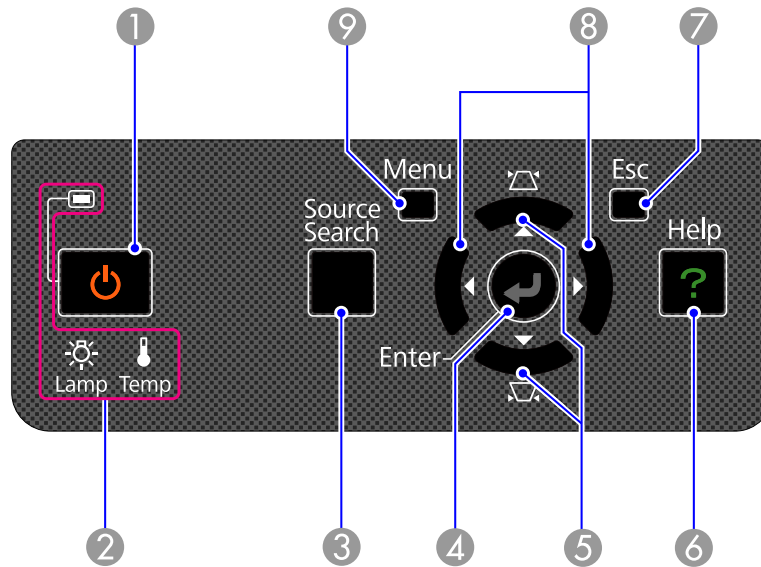
## Projector Parts - Base



- 1 Mounting bracket holes
- 2 Rear feet
- 3 Security lock slot

Parent topic: [Projector Parts Locations](#)

## Projector Parts - Control Panel

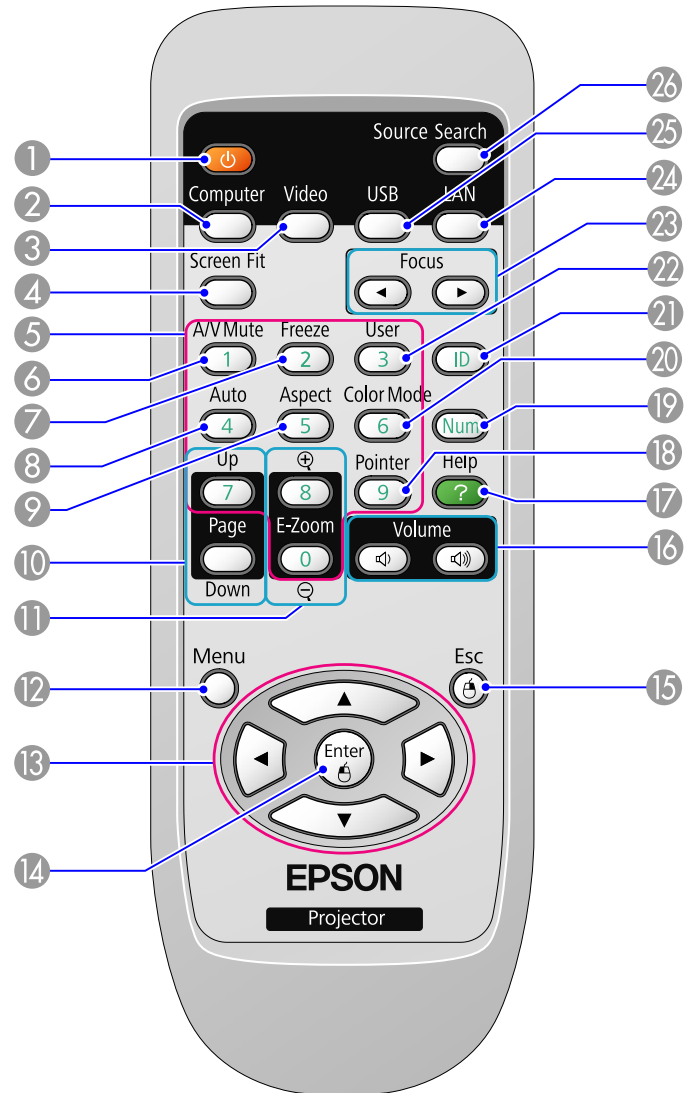


- 1 Power button and light
- 2 Projector status lights
- 3 **Source Search** button (searches for connected video sources)
- 4 **Enter** button (selects options)
- 5 Vertical keystone adjustment buttons (adjust screen shape) and arrow buttons
- 6 **Help** button (accesses projector help information)
- 7 **Esc** button (cancels/exits functions)
- 8 Arrow buttons
- 9 **Menu** button (accesses projector menu system)

Parent topic: [Projector Parts Locations](#)

Related references  
[Projector Light Status](#)

## Projector Parts - Remote Control



- 1 Power button
- 2 **Computer** button (selects the computer source)
- 3 **Video** button (cycles through connected video sources)
- 4 **Screen Fit** button (button is not functional)
- 5 Numeric buttons (enter numbers)
- 6 **A/V Mute** button (turns off picture)
- 7 **Freeze** button (stops video action)
- 8 **Auto** button (automatically adjusts position, tracking, and sync settings)
- 9 **Aspect** button (selects the image aspect ratio)
- 10 **Page Up/Down** buttons (control presentation slides)
- 11 **E-Zoom +/-** buttons (zoom into and out of the image)
- 12 **Menu** button (accesses projector menu system)
- 13 Arrow buttons (move through on-screen options and control wireless mouse functions)
- 14 **Enter** button (selects options and controls wireless mouse functions)
- 15 **Esc** button (cancels/exits functions and controls wireless mouse functions)
- 16 **Volume up and down** buttons (buttons are not functional)
- 17 **Help** button (accesses projector help information)
- 18 **Pointer** button (activates on-screen pointer)
- 19 **Num** button (switches buttons to number function for entering numbers)
- 20 **Color Mode** button (selects display modes)
- 21 **ID** button (selects projector and remote control ID numbers)
- 22 **User** button (customizable for different functions)
- 23 **Focus** buttons (buttons are not functional)
- 24 **LAN** button (button is not functional)
- 25 **USB** button (selects the USB display source)
- 26 **Source Search** button (searches for connected video sources)

Parent topic: [Projector Parts Locations](#)



---

# Setting Up the Projector

Follow the instructions in these sections to set up your projector for use.

[Projector Placement](#)

[Projector Connections](#)

[Installing Batteries in the Remote Control](#)

[Opening the Lens Cover](#)

## Projector Placement

You can place the projector on almost any flat surface to project your presentation.

You can also install the projector in a ceiling mount if you want to use it in a fixed location.

Keep these considerations in mind as you select a projector location:

- Place the projector on a sturdy, level surface or install it using a compatible mount.
- Leave plenty of space around and under the projector for ventilation, and do not place it on top of or next to anything that could block the vents.
- Position the projector within 6 feet (2 m) of a grounded electrical outlet or extension cord.

[Projector Setup and Installation Options](#)

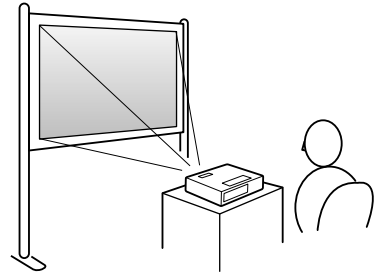
[Projection Distance](#)

**Parent topic:** [Setting Up the Projector](#)

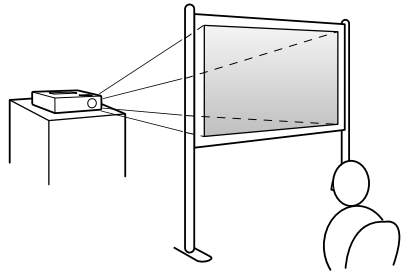
## Projector Setup and Installation Options

You can set up or install your projector to view presentations in the following ways:

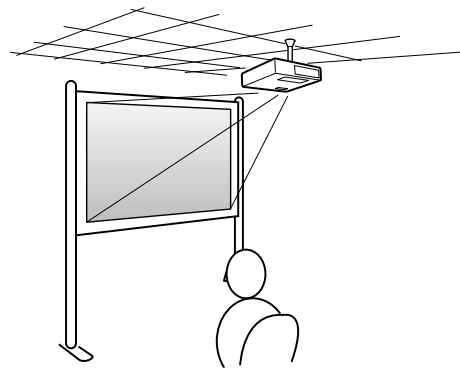
Front



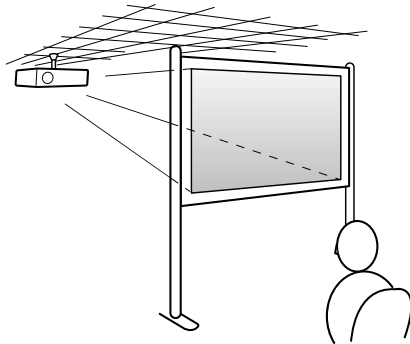
Rear



Ceiling



## Rear Ceiling



Wherever you set up the projector, make sure to position it squarely in front of the center of the screen, not at an angle, if possible.

If you project from the ceiling or from the rear, be sure to select correct **Projection** option in the projector's menu system.

**Parent topic:** [Projector Placement](#)

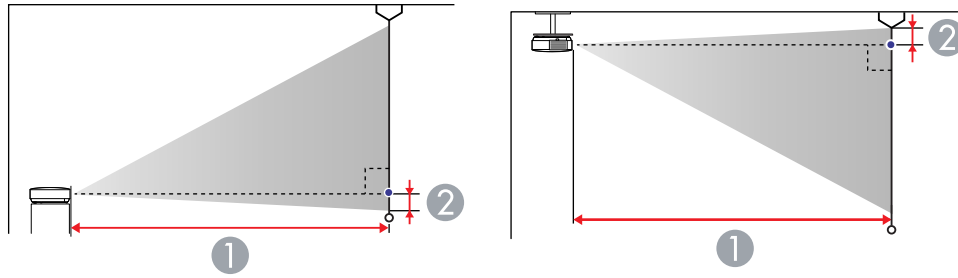
### **Related references**

[Projector Setup Settings - Extended Menu](#)

## **Projection Distance**

The distance at which you place the projector from the screen determines the approximate size of the image. The image size increases the farther the projector is from the screen, but can vary depending on the zoom factor, aspect ratio, and other settings.

Use the tables here to determine approximately how far to place the projector from the screen based on the size of the projected image. (Conversion figures may have been rounded up or down.)



#### 4:3 Aspect Ratio Image or Screen

Screen or image size	Projection distance (1) Wide to Tele	Offset from lens center (2)
30 inches (76.2 cm)	38 to 62 inches (96 to 158 cm)	-1.6 inches (-4 cm)
40 inches (101.6 cm)	51 to 84 inches (130 to 212 cm)	-2.2 inches (-6 cm)
50 inches (127 cm)	64 to 105 inches (164 to 267 cm)	-2.7 inches (-7 cm)
60 inches (152.4 cm)	78 to 126 inches (197 to 321 cm)	-3.3 inches (-8 cm)
80 inches (203.2 cm)	104 to 169 inches (265 to 430 cm)	-4.4 inches (-11 cm)
100 inches (254 cm)	131 to 212 inches (332 to 538 cm)	-5.5 inches (-14 cm)
150 inches (381 cm)	197 to 319 inches (501 to 810 cm)	-8.2 inches (-21 cm)
200 inches (508 cm)	264 to 426 inches (670 to 1081 cm)	-10.9 inches (-28 cm)

<b>Screen or image size</b>	<b>Projection distance (1) Wide to Tele</b>	<b>Offset from lens center (2)</b>
250 inches (635 cm)	330 to 533 inches (839 to 1353 cm)	-13.6 inches (-35 cm)
300 inches (762 cm)	397 to 640 inches (1007 to 1624 cm)	-16.4 inches (-42 cm)

#### **16:9 Aspect Ratio Image or Screen**

<b>Screen or image size</b>	<b>Projection distance (1) Wide to Tele</b>	<b>Offset from lens center (2)</b>
29 inches (73.7 cm)	40 to 66 inches (102 to 167 cm)	0.6 inch (2 cm)
40 inches (101.6 cm)	56 to 91 inches (142 to 232 cm)	0.9 inch (2 cm)
50 inches (127 cm)	70 to 115 inches (179 to 291 cm)	1.1 inches (3 cm)
60 inches (152.4 cm)	85 to 138 inches (216 to 350 cm)	1.3 inches (3 cm)
70 inches (177.8 cm)	99 to 161 inches (252 to 409 cm)	1.6 inches (4 cm)
80 inches (203.2 cm)	114 to 184 inches (289 to 468 cm)	1.8 inches (5 cm)
100 inches (254 cm)	143 to 231 inches (363 to 587 cm)	2.2 inches (6 cm)
150 inches (381 cm)	215 to 347 inches (546 to 883 cm)	3.3 inches (9 cm)

Screen or image size	Projection distance (1) Wide to Tele	Offset from lens center (2)
200 inches (508 cm)	288 to 464 inches (730 to 1178 cm)	4.5 inches (11 cm)
250 inches (635 cm)	360 to 580 inches (914 to 1474 cm)	5.6 inches (14 cm)
275 inches (598.5 cm)	396 to 639 inches (1006 to 1622 cm)	6.1 inches (16 cm)

Parent topic: [Projector Placement](#)

## Projector Connections

You can connect the projector to a variety of computer and video sources to display presentations, movies, or other images.

- Connect any type of computer that has a USB port or standard video output (monitor) port.
- For video projection, connect devices such as DVD players, gaming consoles, digital cameras, and camera phones with compatible video output ports.

**Caution:** If you will use the projector at altitudes above 4921 feet (1500 m), turn on **High Altitude Mode** to ensure the projector's internal temperature is regulated properly.

[Connecting to Computer Sources](#)

[Connecting to Video Sources](#)

Parent topic: [Setting Up the Projector](#)

### Related references

[Projector Setup Settings - Extended Menu](#)

[Product Box Contents](#)

## Connecting to Computer Sources

Follow the instructions in these sections to connect a computer to the projector.

[Connecting to a Computer for USB Video](#)

[Connecting to a Computer for VGA Video](#)

## Connecting to a Computer for USB Mouse Control

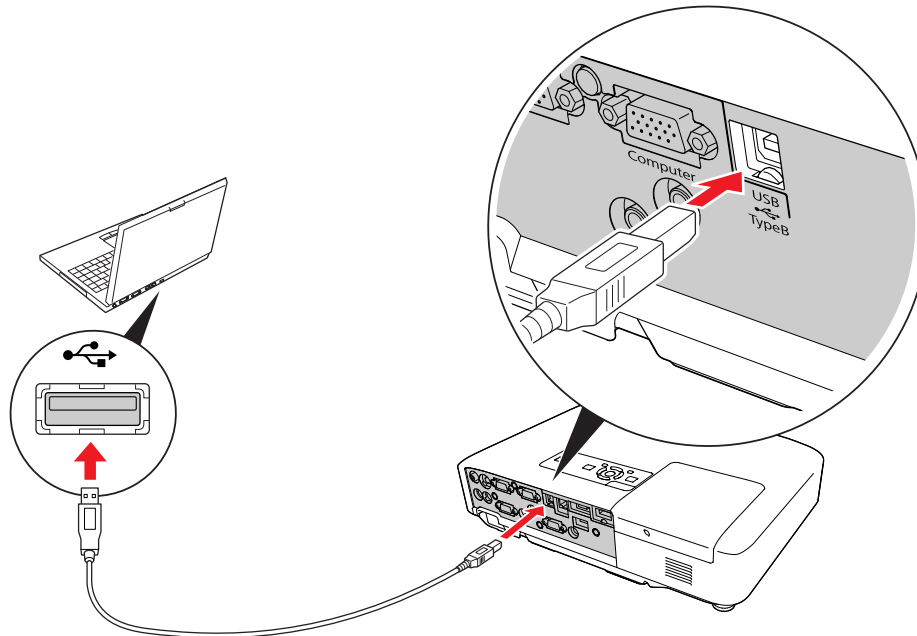
**Parent topic:** Projector Connections

### Connecting to a Computer for USB Video

If you have a Windows 7, Windows Vista®, Windows XP, or Windows 2000 32-bit computer, you can send video output to the projector through the computer's USB port (preferably USB 2.0). Connect the projector to your computer using a USB cable.

**Note:** The computer display resolution must be between 640 × 480 and 1680 × 1200 to project using USB. You cannot use the remote control's wireless mouse function when you use your projector's USB Type B port for presentation display.

1. In the projector's **Extended** menu, set the **USB Type B** setting to **USB Display**.
2. Turn on your computer.
3. Connect the cable to your projector's **USB TypeB** port.
4. Connect the other end to any available USB port on your computer.



Messages appear on your computer screen and the projector installs the Epson USB Display software on your computer. (You only need to install this software the first time you connect the projector to the computer.)

The projector displays the image from your computer's desktop.

**Parent topic:** [Connecting to Computer Sources](#)

**Related references**

[Projector Setup Settings - Extended Menu](#)

### **Connecting to a Computer for VGA Video**

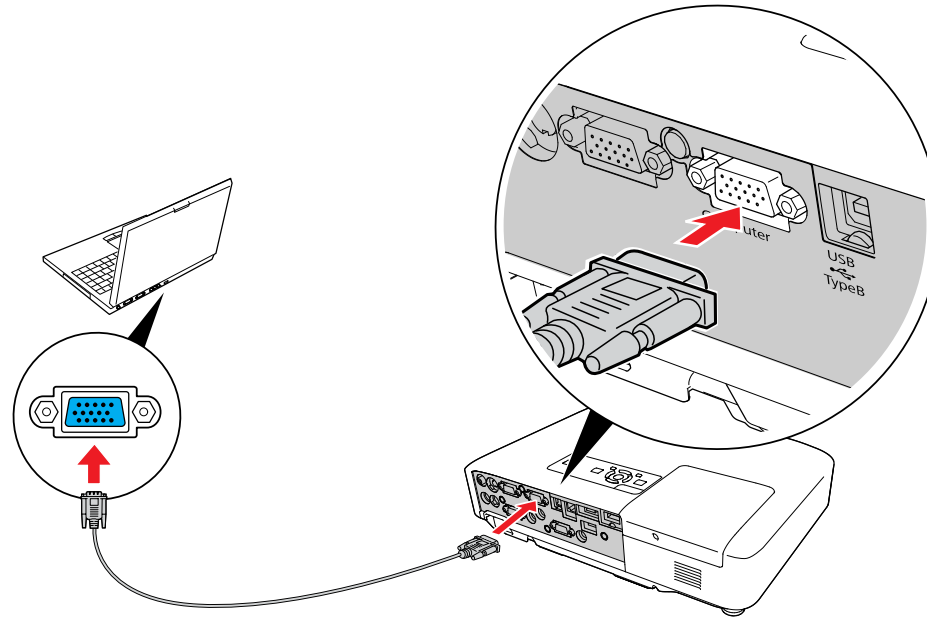
You can connect the projector to your computer using a VGA computer cable.

**Note:** To connect a Macintosh that includes only a Mini DisplayPort or Mini-DVI port for video output, you need to obtain an adapter that allows you to connect to the projector's VGA video port. Contact Apple for compatible adapter options.

1. If necessary, disconnect your computer's monitor cable.
2. Connect the VGA computer cable to your computer's monitor port.



3. Connect the other end to a **Computer** port on the projector.



4. Tighten the screws on the VGA connectors.

**Parent topic:** [Connecting to Computer Sources](#)

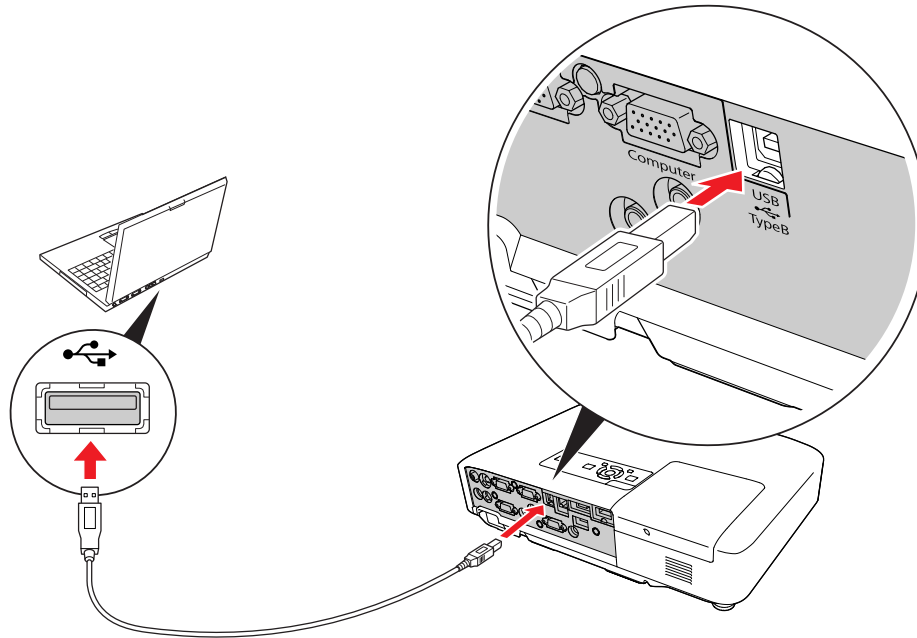
### Connecting to a Computer for USB Mouse Control

If you connected your computer to a **Computer** port on the projector, you can set up the remote control to act as a wireless mouse. This lets you control computer presentations at a distance from your computer. To do this, connect the projector to your computer using a USB cable.

**Note:** You cannot use the remote control's wireless mouse function when you use your projector's USB Type B port to project from a computer.

1. In the projector's **Extended** menu, set the **USB Type B** setting to **Wireless Mouse**.

2. Connect the USB cable to your projector's **USB TypeB** port.



3. Connect the other end to any available USB port on your computer.
4. If necessary, configure your computer to work with an external USB mouse. See your computer documentation for details.

**Parent topic:** [Connecting to Computer Sources](#)

**Related references**

[Projector Setup Settings - Extended Menu](#)

## Connecting to Video Sources

Follow the instructions in these sections to connect video devices to the projector.

[Connecting to a Component-to-VGA Video Source](#)

[Connecting to an RGB VGA Video Source](#)

[Connecting to an S-Video Video Source](#)

[Connecting to a Composite Video Source](#)

**Parent topic:** [Projector Connections](#)

### **Connecting to a Component-to-VGA Video Source**

If your video source has component video ports, you can connect it to the projector using a component-to-VGA video cable. Depending on your component ports, you may need to use an adapter cable along with a component video cable.

1. Make sure the projector and your video source are turned off.
2. Connect the component connectors to your video source's color-coded component video output ports, usually labelled **Y**, **Pb**, **Pr** or **Y**, **Cb**, **Cr**. If you are using an adapter, connect these connectors to your component video cable.
3. Connect the VGA connector to the projector's **Computer** port.

If your image colors appear incorrect, you may need to change the **Input Signal** setting in the projector's **Signal** menu.

**Parent topic:** [Connecting to Video Sources](#)

#### **Related references**

[Projector Parts - Rear](#)

### **Connecting to an RGB VGA Video Source**

You can connect the projector to a video source that has an RGB video output port using a VGA computer cable.

1. Make sure the projector and your video source are turned off.
2. Connect the VGA computer cable to your video source's video output port.
3. Connect the other end to the projector's **Computer** port.
4. Tighten the screws on the VGA connectors.

If your image colors appear incorrect, you may need to change the **Input Signal** setting in the projector's **Signal** menu.

**Parent topic:** [Connecting to Video Sources](#)

#### **Related references**

[Projector Parts - Rear](#)

[Input Signal Settings - Signal Menu](#)

### **Connecting to an S-Video Video Source**

If your video source has an S-Video port, you can connect it to the projector using an optional S-Video cable.

1. Make sure the projector and your video source are turned off.
2. Connect the S-Video cable to your video source's S-Video output port.
3. Connect the other end to the projector's **S-Video** port.

**Parent topic:** [Connecting to Video Sources](#)

**Related references**

[Projector Parts - Rear](#)

### **Connecting to a Composite Video Source**

If your video source has a composite video port, you can connect it to the projector using an optional RCA-style video or A/V cable.

1. Make sure the projector and your video source are turned off.
2. Connect the cable with the yellow connector to your video source's yellow video output port.
3. Connect the other end to the projector's **Video** port.

**Parent topic:** [Connecting to Video Sources](#)

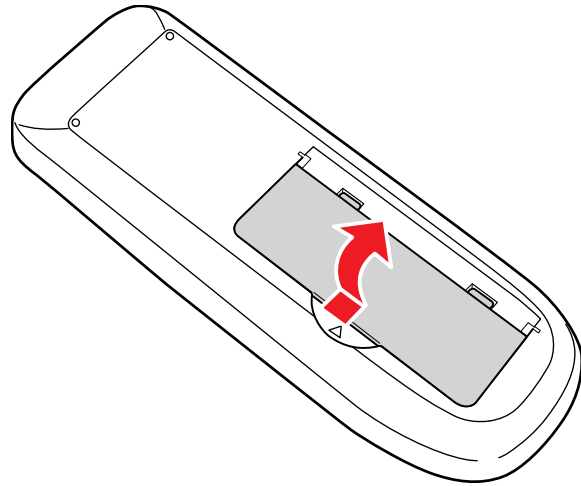
**Related references**

[Projector Parts - Rear](#)

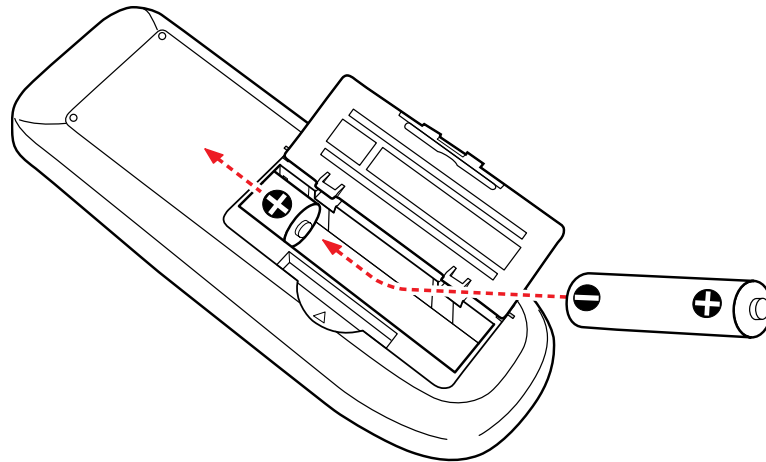
## **Installing Batteries in the Remote Control**

The remote control uses the two AA batteries that came with the projector.

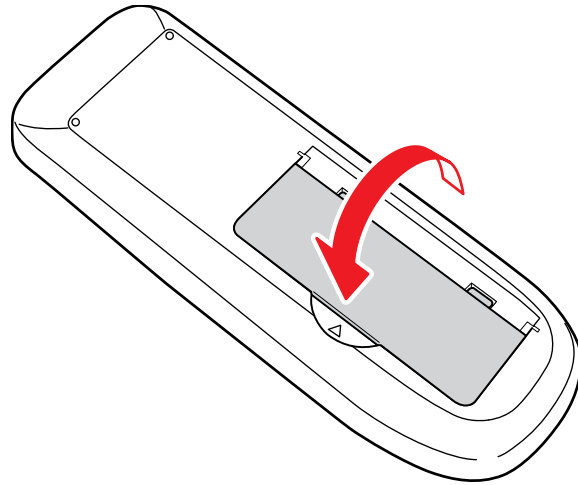
1. Open the battery cover as shown.



2. Insert the batteries with the + and - ends facing as shown.



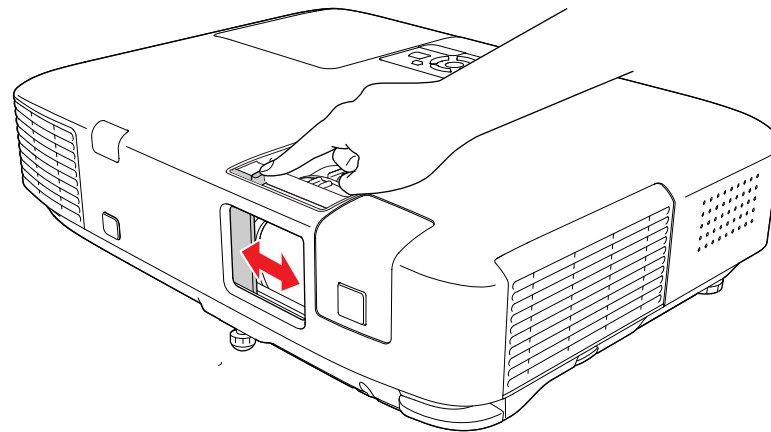
3. Close the battery cover and press it down until it clicks into place.



Parent topic: [Setting Up the Projector](#)

## Opening the Lens Cover

1. To open the projector's lens cover, slide the **AV Mute** slide lever.



2. To cover the lens or temporarily turn off the projected picture, slide the **AV Mute** slide cover closed.

**Parent topic:** [Setting Up the Projector](#)

---

# Using Basic Projector Features

Follow the instructions in these sections to use your projector's basic features.

[Turning On the Projector](#)

[Turning Off the Projector](#)

[Selecting the Language for the Projector Menus](#)

[Adjusting the Image Height](#)

[Image Shape](#)

[Resizing the Image With the Zoom Ring](#)

[Focusing the Image Using the Focus Ring](#)

[Remote Control Operation](#)

[Selecting an Image Source](#)

[Projection Modes](#)

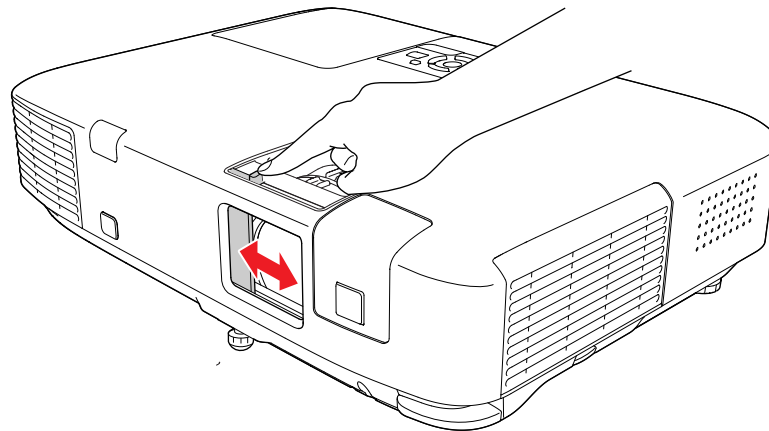
[Image Aspect Ratio](#)

[Color Mode](#)

## Turning On the Projector

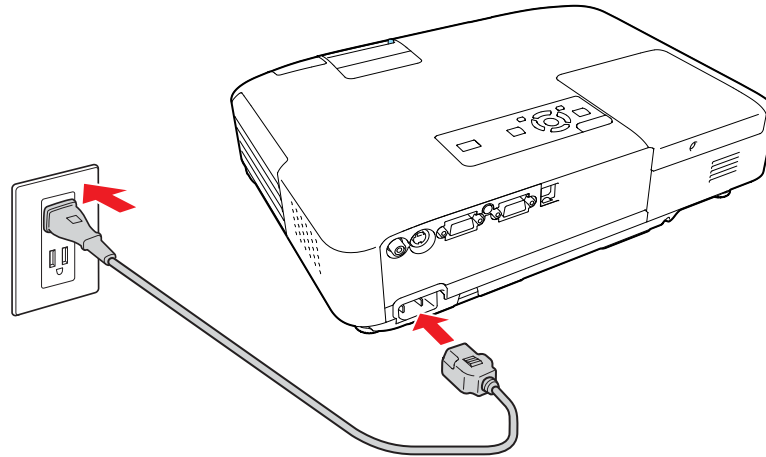
Turn on the computer or video equipment you want to use before you turn on the projector so it can display the image source.

1. Open the projector's lens cover.





2. Connect the power cord to the projector's power inlet.



3. Plug the power cord into an electrical outlet.

The projector's power light turns orange. This indicates that the projector is receiving power, but is not yet turned on.

**Note:** With **Direct Power On** turned on, the projector turns on as soon as you plug it in.

4. Press the power button on the projector or the remote control to turn on the projector.

The projector beeps and the power light flashes green as the projector warms up. After about five seconds, the power light stops flashing and turns green.

**WARNING:** Never look into the projector lens when the lamp is on. This can damage your eyes and is especially dangerous for children.

If you do not see a projected image right away, try the following:

- Turn on the connected computer or video device.
- Insert a DVD or other video media, and press the **Play** button (if necessary).
- Press the **Source Search** button on the projector or remote control to detect the video source.

**Parent topic:** [Using Basic Projector Features](#)

## Related references

[Projector Setup Settings - Extended Menu](#)

# Turning Off the Projector

Before turning off the projector, shut down any computer connected to it so you can see the computer display during shutdown.

**Note:** Turn off this product when not in use to prolong the life of the projector. Lamp life will vary depending upon mode selected, environmental conditions, and usage. Brightness decreases over time.

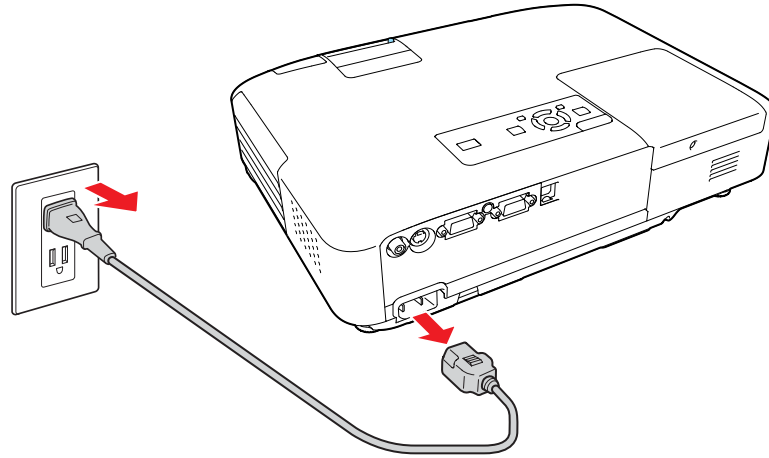
1. Press the power button on the projector or the remote control.  
The projector displays a shutdown confirmation screen.



2. Press the power button again. (To leave it on, press any other button.)  
The projector beeps twice, the lamp turns off, and the power light turns orange.

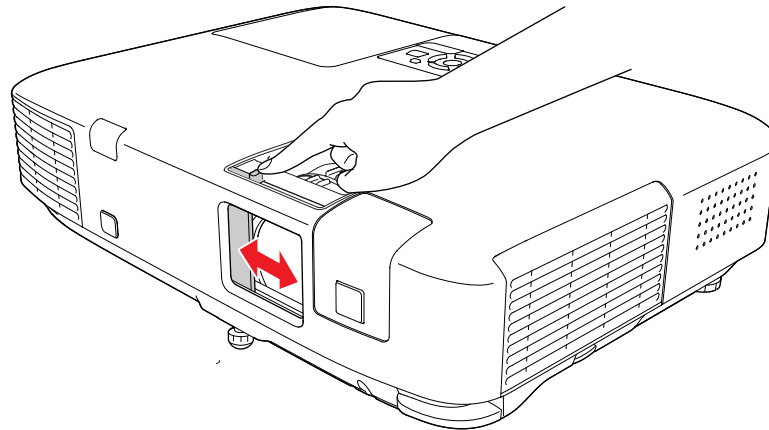
**Note:** With Epson's Instant Off technology, there is no cool-down period so you can pack up the projector for transport right away.

3. To transport or store the projector, make sure the power light is orange (but not flashing), then unplug the power cord.



**Caution:** To avoid damaging the projector or lamp, never unplug the power cord when the power light is green or flashing orange.

4. Close the projector's lens cover.

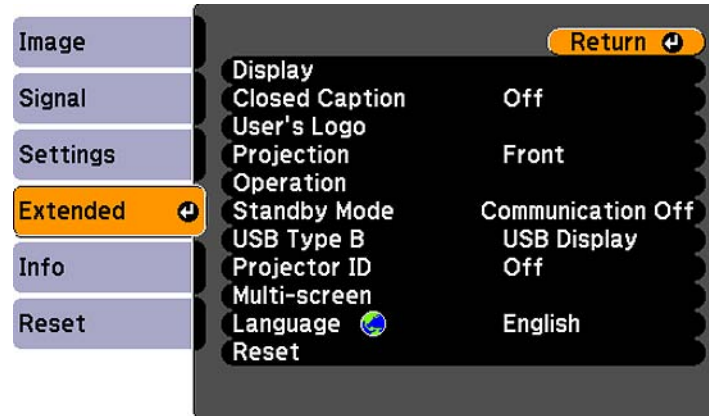


Parent topic: [Using Basic Projector Features](#)

## Selecting the Language for the Projector Menus

If you want to view the projector's menus and messages in another language, you can change the **Language** setting. The default language setting is **English**.

1. Turn on the projector.
2. Press the **Menu** button.
3. Press the down arrow button to select the **Extended** menu and press **Enter**.



4. Press the down arrow button to select the **Language** setting and press **Enter**.
5. Select the language you want to use and press **Enter**.
6. Press **Menu** to exit the menus.

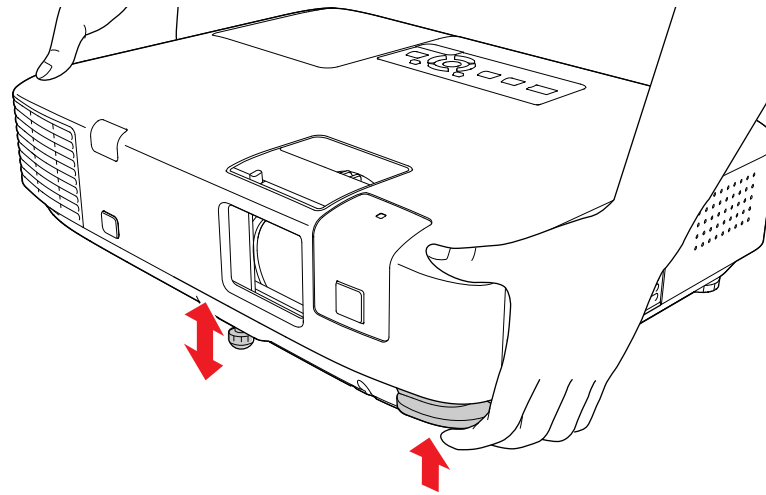
**Parent topic:** [Using Basic Projector Features](#)

## Adjusting the Image Height

If you are projecting from a table or other flat surface, and the image is too high or low, you can adjust the image height using the projector's adjustable foot.

1. Turn on the projector and display an image.

2. To adjust the front foot, pull up on the foot release lever and lift the front of the projector.



The foot extends from the projector.

3. Release the lever to lock the foot.

If the projected image is unevenly rectangular, you need to adjust the image shape.

**Parent topic:** [Using Basic Projector Features](#)

**Related concepts**

[Image Shape](#)

**Related references**

[Projector Feature Settings - Settings Menu](#)

## Image Shape

You can project an evenly rectangular image by placing the projector directly in front of the center of the screen and keeping it level. If you place the projector at an angle to the screen, or tilted up or down, or off to the side, you may need to correct the image shape for the best display quality.

[Correcting Image Shape With the Keystone Buttons](#)

**Parent topic:** [Using Basic Projector Features](#)

### Related references

[Projector Feature Settings - Settings Menu](#)

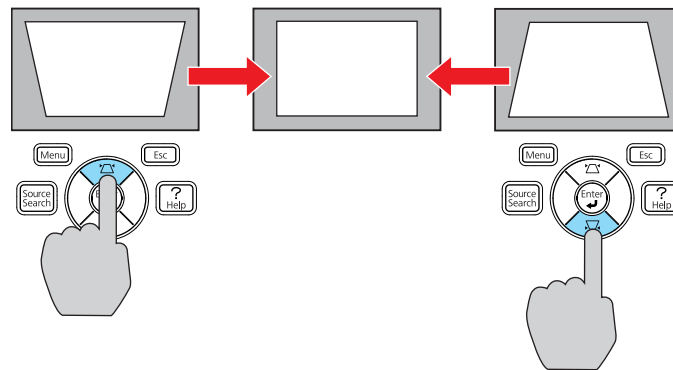
### Related tasks

[Adjusting the Image Height](#)

## Correcting Image Shape With the Keystone Buttons

You can use the projector's keystone correction buttons to correct the shape of an image that is unevenly rectangular on the sides.

1. Turn on the projector and display an image.
2. Press a keystone button on the projector's control panel.



After correction, your image is slightly smaller.

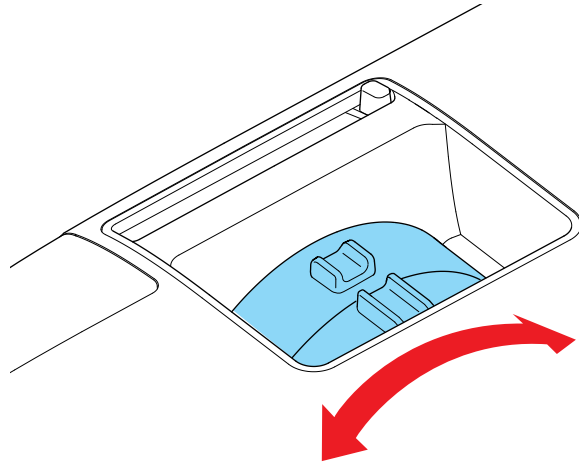
**Note:** If the projector is installed out of reach, you can also correct the image shape using the Keystone settings in the projector menus.

Parent topic: [Image Shape](#)

## Resizing the Image With the Zoom Ring

1. Turn on the projector and display an image.

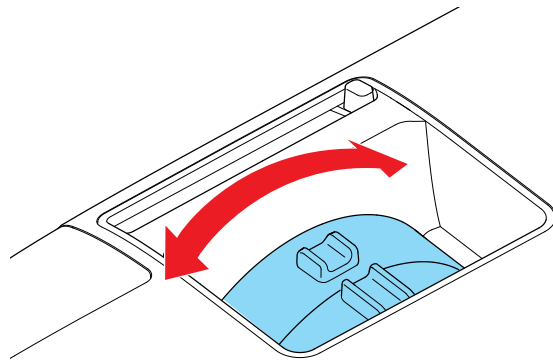
2. To enlarge or reduce the image size, rotate the projector's zoom ring.



Parent topic: [Using Basic Projector Features](#)

## Focusing the Image Using the Focus Ring

1. Turn on the projector and display an image.
2. To sharpen the image focus, rotate the projector's focus ring.



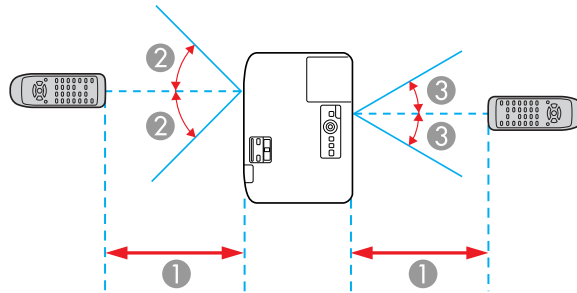
Parent topic: [Using Basic Projector Features](#)

## Remote Control Operation

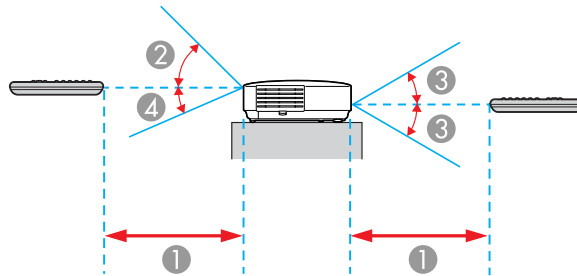
The remote control lets you control the projector from almost anywhere in the room, up to 26 feet (8 m) away. You can point it at the screen, or the front or back of the projector.

Make sure that you aim the remote control at the projector's receivers within the angles listed below.

Horizontal angles



Vertical angles



- 1 26 feet (8 m)
- 2 45°
- 3 30°
- 4 15°



**Note:** Avoid using the remote control in conditions with bright fluorescent lights or in direct sunlight, or the projector may not respond to commands. If you will not use the remote control for a long time, remove the batteries.

[Using the Remote Control as a Wireless Mouse](#)

[Using the Remote Control as a Presentation Pointer](#)

**Parent topic:** [Using Basic Projector Features](#)

**Related tasks**

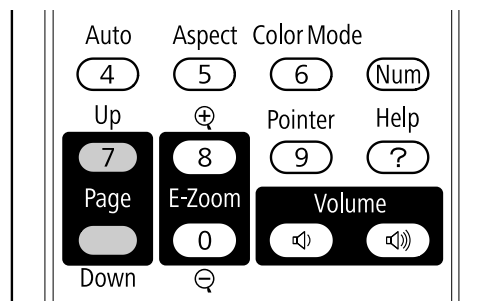
[Replacing the Remote Control Batteries](#)

## Using the Remote Control as a Wireless Mouse

You can use the projector's remote control as a wireless mouse so you can control your computer presentation from a distance.

**Note:** You cannot use the remote control's wireless mouse function when you use your projector's USB Type B port to project video.

1. Connect the projector to a computer using the projector's **Computer** port.
2. Using a USB cable, connect the projector's **USB TypeB** port to a USB port on your computer (for wireless mouse support).
3. Press the **Menu** button, select the **Extended** menu, and select **Wireless Mouse** as the **USB Type B** setting.
4. Start your presentation.
5. Use the following buttons on the remote control to control your presentation:
  - To move through PowerPoint slides, press the **Up** and **Down Page** buttons.



- To move the cursor on the screen, use the arrow buttons.
- To left-click, press the **Enter** button once (press it twice to double-click).
- To right-click, press the **Esc** button.
- To drag-and-drop, hold the **Enter** button as you move the cursor with the arrow buttons, then release **Enter** at the destination.

Parent topic: [Remote Control Operation](#)

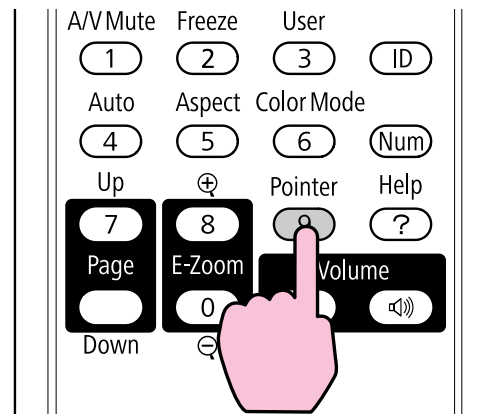
#### Related references

[Projector Setup Settings - Extended Menu](#)

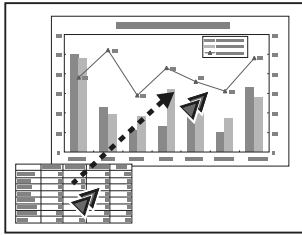
## Using the Remote Control as a Presentation Pointer

You can use the projector's remote control as a pointer to help you call out important information during a presentation. The default pointer shape is an arrow, but you can select an alternative shape using the **Settings** menu.

1. Press the **Pointer** button on the remote control.



2. Use the arrow buttons on the remote control to move the pointer on the screen.



3. Press **Esc** to clear the pointer from the screen.

**Parent topic:** [Remote Control Operation](#)

**Related references**

[Projector Feature Settings - Settings Menu](#)

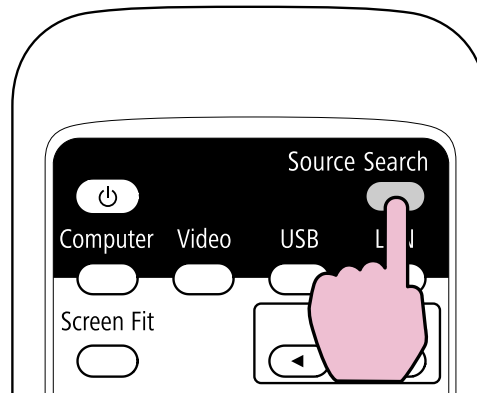
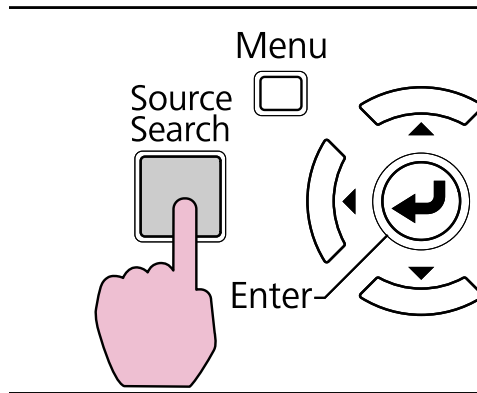
## Selecting an Image Source

If you connected multiple image sources to the projector, such as a computer and DVD player, you may want to switch from one image source to the other.

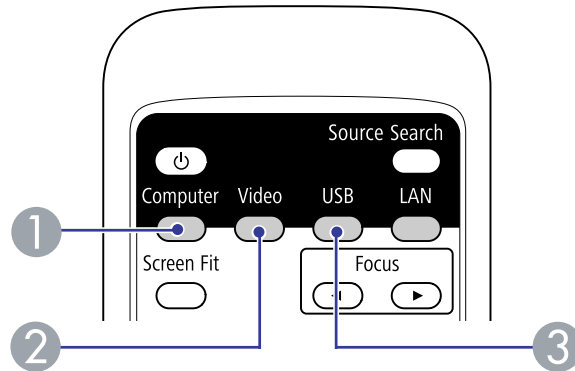
1. Make sure the connected image source you want to use is turned on.
2. For video image sources, insert a DVD or other video media and press **Play** (if necessary).

3. Do one of the following:

- Press the **Source Search** button on the projector or remote control until you see the image from the source you want.



- Press the button for the source you want on the remote control. If there is more than one port for that source, press the button again to select the other source.



- 1 Computer port sources
- 2 Video and S-Video sources
- 3 USB port source (computer display)

4. If you see a blank screen or a "No Signal" message, try the following:
  - Check that the device cables are securely connected to the projector and the device.
  - Make sure the projector is turned on and its lens cover is open.
  - For laptop computers, make sure you have set up your laptop to output its display properly.

Parent topic: [Using Basic Projector Features](#)

## Projection Modes

Depending on how you positioned the projector, you may need to change the projection mode so your images project correctly.

- **Front** (default setting) lets you project from a table in front of the screen.
- **Front/Ceiling** flips the image over top-to-bottom to project upside-down from a ceiling or wall mount.
- **Rear** flips the image horizontally to project from behind a translucent screen.
- **Rear/Ceiling** flips the image over top-to-bottom and horizontally to project from the ceiling and the rear.

You can change the projection mode using the remote control or by changing a menu setting.

[Changing the Projection Mode Using the Remote Control](#)

[Changing the Projection Mode Using the Menus](#)

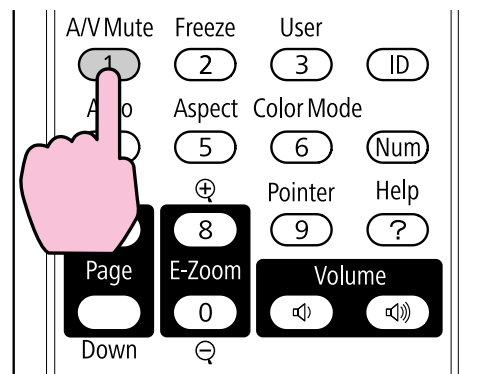
**Parent topic:** [Using Basic Projector Features](#)

## Changing the Projection Mode Using the Remote Control

You can change the projection mode to flip the image over top-to-bottom.

1. Turn on the projector and display an image.
2. Hold down the **A/V Mute** button on the remote control for five seconds.

The image disappears briefly and reappears flipped top-to-bottom.



3. To change projection back to the original mode, hold down the **A/V Mute** button for five seconds again.

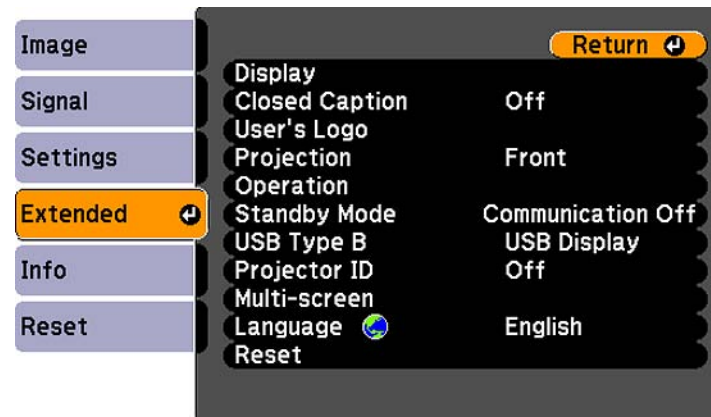
**Parent topic:** [Projection Modes](#)

## Changing the Projection Mode Using the Menus

You can change the projection mode to flip the image over top-to-bottom and/or left-to-right using the projector menus.

1. Turn on the projector and display an image.
2. Press the **Menu** button.

3. Select the **Extended** menu.



4. Press **Enter**.
5. Select the **Projection** setting.
6. Select a projection mode.
7. Press **Enter**.
8. Press **Menu** to exit.

**Parent topic:** [Projection Modes](#)

## Image Aspect Ratio

The projector can display images in different width-to-height ratios called aspect ratios. Normally the input signal from your video source determines the image's aspect ratio. However, for certain images you can change the aspect ratio to fit your screen by pressing a button on the remote control.

If you always want to use a particular aspect ratio for a certain video input source, you can select it using the projector's menus.

[Changing the Image Aspect Ratio](#)

[Available Image Aspect Ratios](#)

**Parent topic:** [Using Basic Projector Features](#)

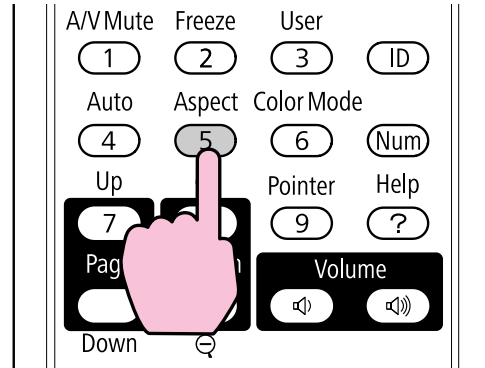
### Related references

[Image Quality Settings - Image Menu](#)

## Changing the Image Aspect Ratio

You can change the aspect ratio of the displayed image to resize it.

1. Turn on the projector and switch to the image source you want to use.
2. Press the **Aspect** button on the remote control.



The shape and size of the displayed image changes, and the name of the aspect ratio appears briefly on the screen.

3. To cycle through the available aspect ratios for your input signal, press the **Aspect** button repeatedly.

Parent topic: [Image Aspect Ratio](#)

## Available Image Aspect Ratios

You can select the following image aspect ratios, depending on the input signal from your image source.

**Note:** Black bands and cropped images may project in certain aspect ratios, depending on the aspect ratio and resolution of your input signal.

Aspect ratio setting	Description
<b>Normal</b>	Displays images using the full projection area and maintains the aspect ratio of the image.
<b>4:3</b>	Displays images using the full projection area at 4:3 aspect ratio.
<b>16:9</b>	Converts the aspect ratio of the image to 16:9.



Parent topic: [Image Aspect Ratio](#)

## Color Mode

The projector offers different Color Modes to provide optimum brightness, contrast, and color for a variety of viewing environments and image types. You can select a mode designed to match your image and environment, or experiment with the available modes.

[Changing the Color Mode](#)

[Available Color Modes](#)

[Turning On Auto Iris](#)

Parent topic: [Using Basic Projector Features](#)

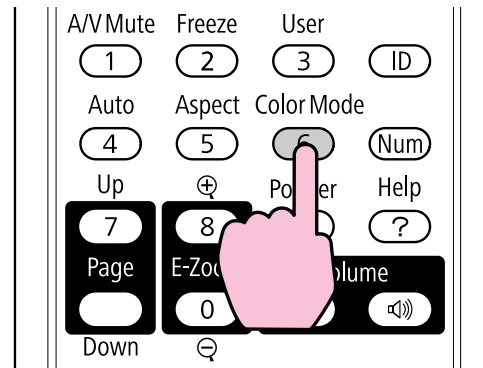
Related references

[Image Quality Settings - Image Menu](#)

## Changing the Color Mode

You can change the projector's Color Mode using the remote control to optimize the image for your viewing environment.

1. Turn on the projector and switch to the image source you want to use.
2. If you are projecting from a DVD player or other video source, insert a disc or other video media and press the **Play** button, if necessary.
3. Press the **Color Mode** button on the remote control to change the Color Mode.



The image quality changes and the name of the Color Mode appears briefly on the screen.

4. To cycle through all the available Color Modes for your input signal, press the **Color Mode** button repeatedly.

Parent topic: [Color Mode](#)

## Available Color Modes

You can set the projector to use these Color Modes, depending on the input source you are using:

Color Mode	Description
<b>Presentation</b>	Best for color presentations in a bright room
<b>Dynamic</b>	Best for video games in a bright room
<b>Theatre</b>	Best for movies projected in a dark room
<b>Text</b>	Best for black-and-white presentations in a bright room
<b>Sports</b>	Best for television images in a bright room (video, S-Video, or composite video input only)
<b>sRGB</b>	Best for standard sRGB computer displays
<b>Blackboard</b>	Best for presentations onto a green chalkboard (adjusts the colors accordingly)
<b>Whiteboard</b>	Best for presentations onto a whiteboard (adjusts the colors accordingly)
<b>Photo</b>	Best for still images projected in a bright room
<b>Customized</b>	Best for customizing a color mode using manual <b>Color Adjustment</b> settings in the Image menu.

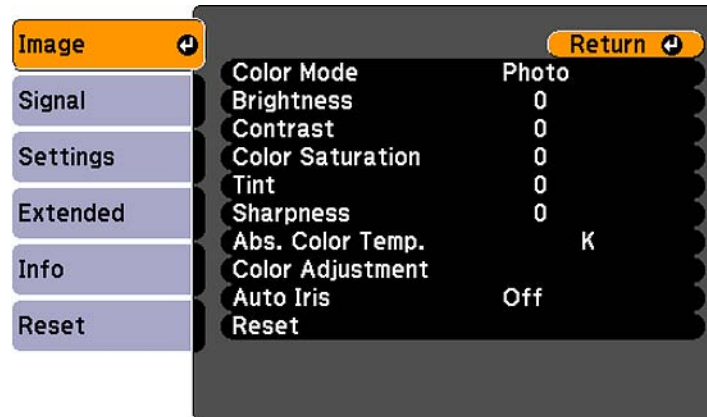
Parent topic: [Color Mode](#)

## Turning On Auto Iris

In certain color modes, you can turn on the Auto Iris setting to automatically optimize the image based on the brightness of the content you project.

1. Turn on the projector and switch to the image source you want to use.
2. Press the **Menu** button.

3. Select the **Image** menu.



4. Press **Enter**.
5. Select the **Auto Iris** setting.
6. Select **On**.
7. Press **Menu** to exit.

**Parent topic:** [Color Mode](#)

---

# Adjusting Projector Features

Follow the instructions in these sections to use your projector's feature adjustments.

[Shutting Off the Picture Temporarily](#)

[Stopping Video Action Temporarily](#)

[Zooming Into and Out of Images](#)

[Projector Security Features](#)

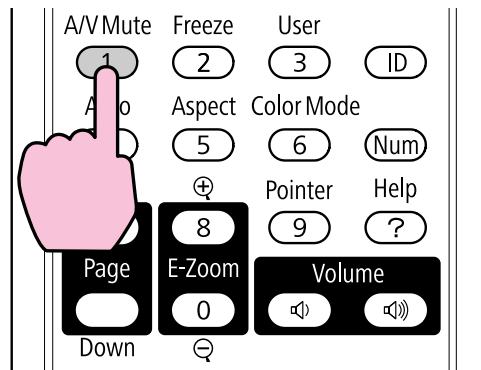
[Projector Identification System for Multiple Projector Control](#)

## Shutting Off the Picture Temporarily

You can temporarily turn off the projected picture if you want to redirect your audience's attention during a presentation. Any video action continues to run, however, so you cannot resume projection at the point that you stopped it.

If you want to display an image such as a company logo or picture when the presentation is stopped, you can set up this feature using the projector's menus.

1. Press the **A/V Mute** button on the remote control to temporarily stop projection.



2. To turn the picture back on, press **A/V Mute** again.

**Note:** You can also stop projection using the A/V Mute slide lever on the projector.

**Parent topic:** [Adjusting Projector Features](#)

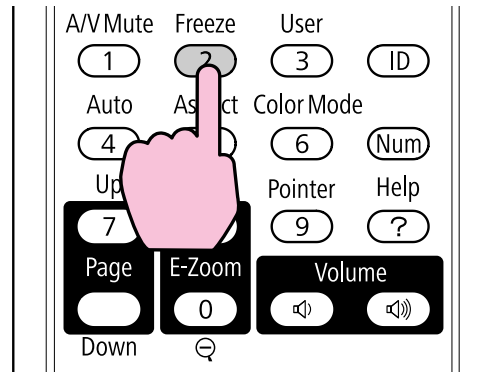
## Related references

[Projector Setup Settings - Extended Menu](#)

## Stopping Video Action Temporarily

You can temporarily stop the action in a video or computer presentation and keep the current image on the screen. Any video action continues to run, however, so you cannot resume projection at the point that you stopped it.

1. Press the **Freeze** button on the remote control to stop the video action.



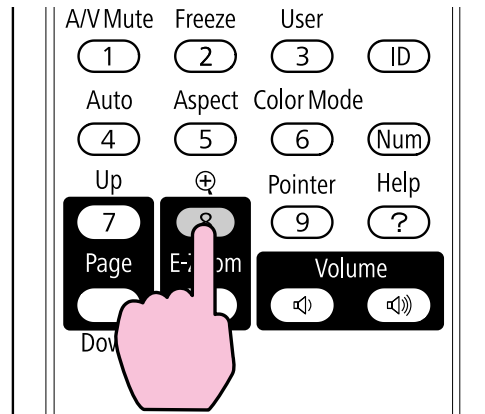
2. To restart the video action in progress, press **Freeze** again.

**Parent topic:** [Adjusting Projector Features](#)

## Zooming Into and Out of Images

You can draw attention to parts of a presentation by zooming into a portion of the image and enlarging it on the screen.

1. Press the **E-Zoom +** button on the remote control.



You see a crosshair on the screen indicating the center of the zoom area.

2. Use the arrow buttons to position the crosshair in the image area you want to zoom into.
3. Press the **E-Zoom +** button repeatedly to zoom into the image area, enlarging it up to four times.
4. To pan around the zoomed image area, use the arrow buttons.
5. To zoom out of the image, press the **E-Zoom -** button as necessary.
6. To return to the original image size, press **Esc**.

**Parent topic:** [Adjusting Projector Features](#)

## Projector Security Features

You can secure your projector to prevent theft or unintended use by setting up the following security features:

- Password security to prevent the projector from being turned on, and prevent changes to the startup screen and other settings.
- Button lock security to block operation of the projector using the buttons on the control panel.
- Security cabling options to physically cable the projector in place.

[Password Security Types](#)

[Locking the Projector's Buttons](#)

[Installing a Security Cable](#)

Parent topic: [Adjusting Projector Features](#)

## Password Security Types

You can set up these types of password security using one shared password:

- **Power On Protect** password prevents anyone from using the projector without first entering a password.
- **User's Logo Protect** password prevents anyone from changing the custom screen the projector can display when it turns on or when you use the A/V Mute feature. The presence of the custom screen discourages theft by identifying the projector's owner.

[Setting a Password](#)

[Selecting Password Security Types](#)

[Entering a Password to Use the Projector](#)

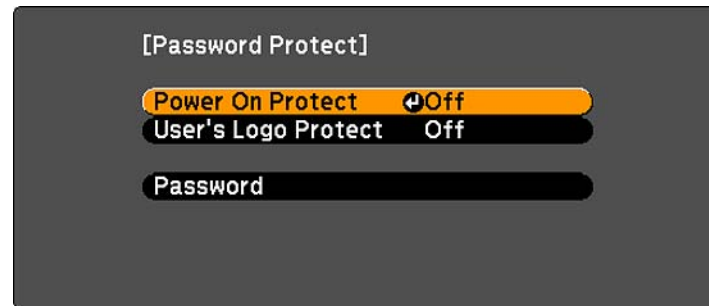
[Saving a User's Logo Image to Display](#)

Parent topic: [Projector Security Features](#)

### Setting a Password

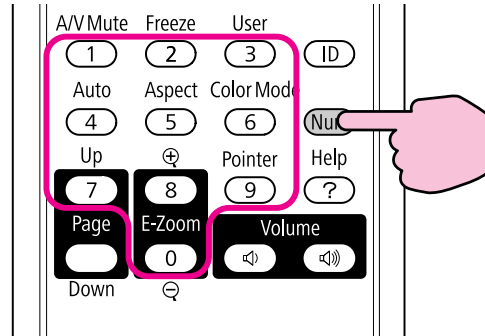
To use password security, you must set a password.

1. Hold down the **Freeze** button on the remote control until you see the Password Protect menu. This takes about five seconds.



2. Press the down arrow to select **Password** and press **Enter**. You see the prompt "Change the password?".
3. Select **Yes** and press **Enter**.

4. Hold down the **Num** button on the remote control and use the numeric buttons to set a four-digit password.



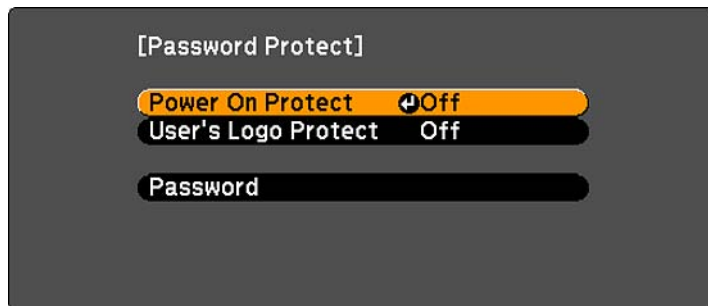
The password displays as \*\*\*\* as you enter it. Then you see the confirmation prompt.

5. Enter the password again.  
You see the message "Password accepted."
6. Press **Esc** to return to the Password Protect menu.
7. Make a note of the password and keep it in a safe place in case you forget it.

**Parent topic:** [Password Security Types](#)

### Selecting Password Security Types

After setting a password, you see the Password Protect menu. Select the password security types you want to use.





If you do not see this menu, hold down the **Freeze** button on the remote control for five seconds until the menu appears.

1. To prevent unauthorized use of the projector, select **Power On Protect**, press **Enter**, select **On**, and press **Esc**.
2. To prevent changes to the User's Logo screen or related display settings, select **User's Logo Protect**, press **Enter**, select **On**, and press **Esc**.

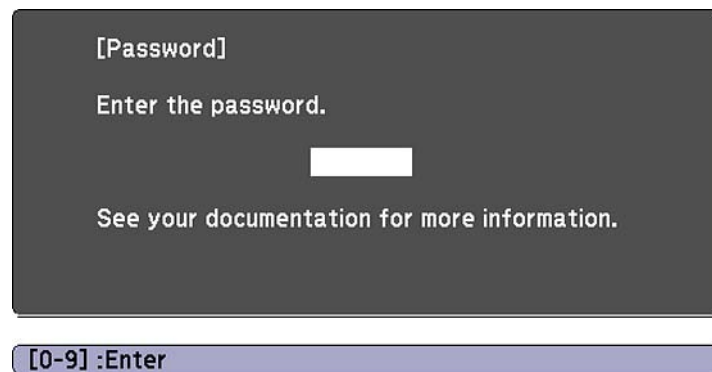
You can attach the Password Protect sticker to the projector as an additional theft deterrent.

**Note:** Be sure to keep the remote control in a safe place; if you lose it, you will not be able to enter the password required to use the projector.

**Parent topic:** [Password Security Types](#)

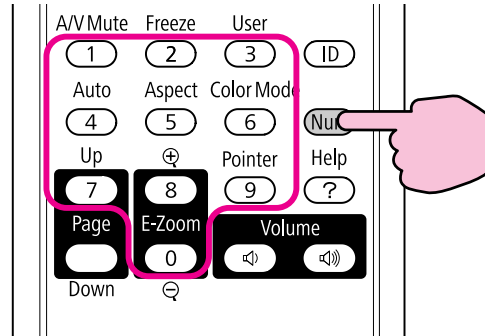
### Entering a Password to Use the Projector

If a password is set up and a **Power On Protect** password is enabled, you see a prompt to enter a password whenever you turn on the projector.



You must enter the correct password to use the projector.

1. Hold down the **Num** button on the remote control while you enter the password using the numeric buttons.



The password screen closes.

2. If the password is incorrect, the following may happen:
  - You see a "wrong password" message and a prompt to try again. Enter the correct password to proceed.
  - If the password is incorrect three times, you see a message that the projector is locked and a request code. Write down the code, then disconnect the power cord from the projector, reconnect it, turn the projector back on, and enter the password again.
  - If the password is incorrect 30 times in a row, the projector remains locked. You must contact Epson for service and provide the request code displayed with the locking message.

**Parent topic:** [Password Security Types](#)

**Related references**

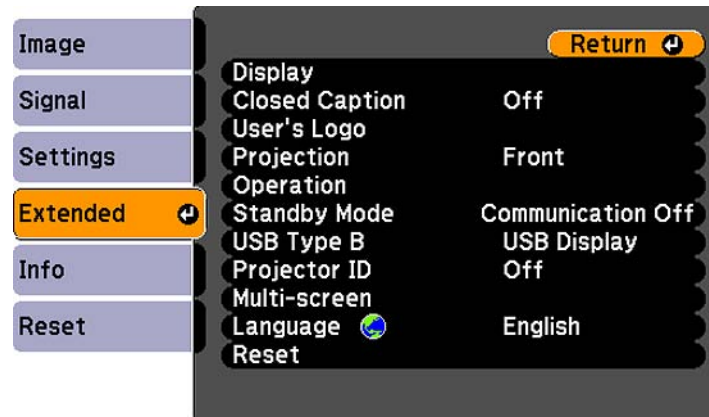
[Where to Get Help](#)

### **Saving a User's Logo Image to Display**

You can transfer an image to the projector and then display it whenever the projector turns on. You can also display the image when the projector is not receiving an input signal or when you temporarily stop projection (using the **A/V Mute** button). This transferred image is called the User's Logo screen.

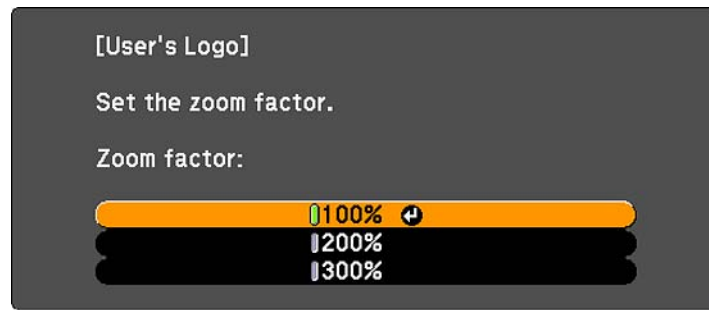
The image you select as the User's Logo can be a photo, graphic, or company logo, which is useful in identifying the projector's owner to help deter theft. You can prevent changes to the User's Logo by setting up password protection for it.

1. Display the image you want to project as the User's Logo from a connected computer or video source.
2. Press the **Menu** button, select the **Extended** menu, and press **Enter**.



3. Select the **User's Logo** setting and press **Enter**.  
You see a prompt asking if you want to use the displayed image as a user's logo.
4. Select **Yes** and press **Enter**.  
You see a selection box overlaying your image.
5. Use the arrow buttons on the remote control to surround the image area you want to use as the User's Logo and press **Enter**.  
You see a prompt asking if you want to select this image area.
6. Select **Yes** and press **Enter**. (If you want to change the selected area, select **No**, press **Enter**, and repeat the last step.)

You see the User's Logo zoom factor menu.



7. Select a zoom percentage and press **Enter**.

You see a prompt asking if you want to save the image as the User's Logo.

8. Select **Yes** and press **Enter**.

**Note:** It takes a few moments for the projector to save the image; do not use the projector, its remote control, or any connected equipment until it is finished.

You see a completion message.

9. Press **Esc** to exit the message screen.
10. Select the **Extended** menu and press **Enter**.
11. Select **Display** and press **Enter**.
12. Select when you want to display the User's Logo screen:
  - To display it whenever there is no input signal, select **Display Background** and set it to **Logo**.
  - To display it whenever you turn the projector on, select **Startup Screen** and set it to **On**.
  - To display it whenever you press the **A/V Mute** button, select **A/V Mute** and set it to **Logo**.

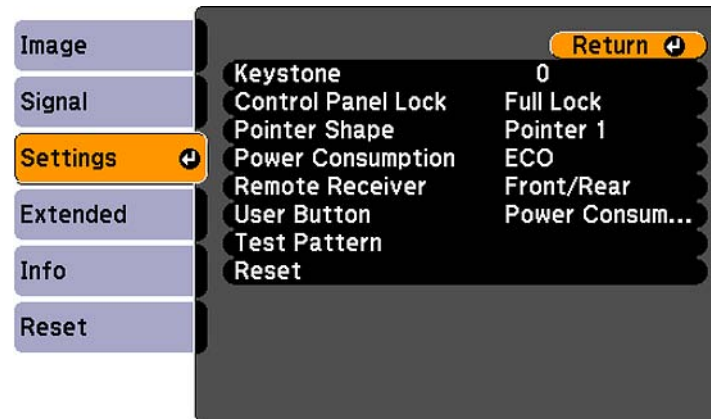
To prevent anyone from changing the User's Logo settings without first entering a password, set a password and enable User's Logo security.

**Parent topic:** [Password Security Types](#)

## Locking the Projector's Buttons

You can lock the buttons on the projector's control panel to prevent anyone from using the projector. You can lock all the buttons or all the buttons except the power button.

1. Press the **Menu** button, select the **Settings** menu, and press **Enter**.



2. Select the **Control Panel Lock** setting and press **Enter**.
3. Select one of these lock types and press **Enter**:
  - To lock all of the projector's buttons, select **Full Lock**.
  - To lock all buttons except the power button, select **Partial Lock**.You see a confirmation prompt.
4. Select **Yes** and press **Enter**.

[Unlocking the Projector's Buttons](#)

**Parent topic:** [Projector Security Features](#)

## Unlocking the Projector's Buttons

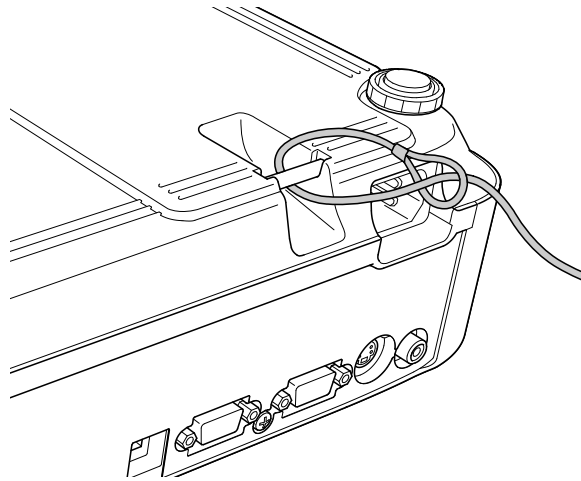
If the projector's buttons have been locked, hold the **Enter** button on the projector's control panel for seven seconds to unlock them.

**Parent topic:** [Locking the Projector's Buttons](#)

## Installing a Security Cable

You can install two types of security cables on the projector to prevent theft.

- Use the security slot on the back of the projector to attach a Kensington Microsaver Security system, available from Epson.
- Use the security cable attachment point on the projector to attach a wire cable and secure it to a room fixture or heavy furniture.



**Parent topic:** [Projector Security Features](#)

**Related references**

[Projector Parts - Rear](#)

## Projector Identification System for Multiple Projector Control

You can operate multiple projectors using one remote control for more elaborate presentations. To do this, you assign an identification number to each projector and to the remote control. Then you can operate all the projectors at once or individually.

You can also match the colors displayed by any projectors you plan to use near each other.

**Caution:** Leave at least two feet (60 cm) of space between the projectors to prevent them from overheating.

[Setting the Projector ID](#)

[Setting the Remote Control ID](#)

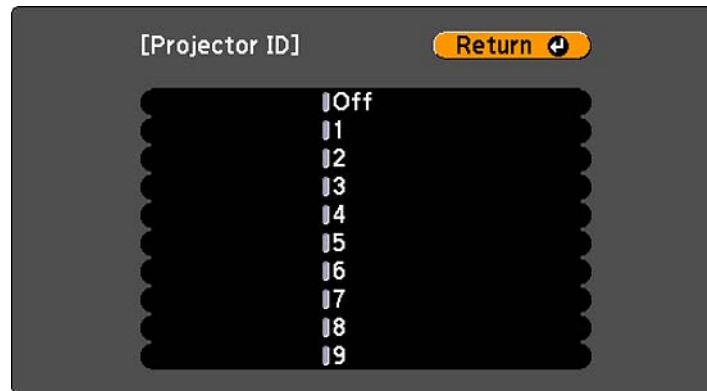
[Matching Multiple-Projector Display Quality](#)

**Parent topic:** [Adjusting Projector Features](#)

## Setting the Projector ID

If you want to control multiple projectors from a remote control, give each projector a unique ID.

1. Press the **Menu** button, select the **Extended** menu, and press **Enter**.
2. Select **Projector ID** and press **Enter**.



3. Use the arrow buttons on the remote control to select the identification number you want to use for the projector. Then press **Enter**.

Repeat these steps for all the other projectors you want to operate from one remote control.

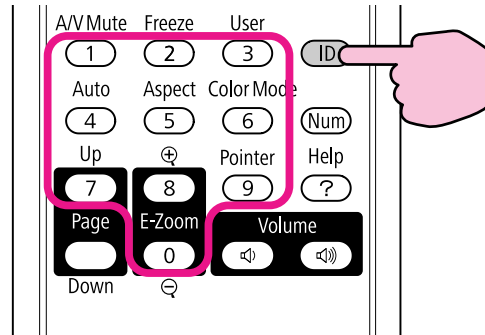
**Parent topic:** [Projector Identification System for Multiple Projector Control](#)

## Setting the Remote Control ID

The remote control's ID is set to zero by default so it can operate any compatible projector. If you want to set the remote control to operate only a particular projector, you need to set the remote control's ID to match the projector's ID.

1. Turn on the projector you want the remote control to operate with exclusively.
2. Make sure you know the projector's ID number as set in the **Extended** menu **Projector ID** setting.

3. Aim the remote control at that projector.
4. Hold down the **ID** button on the remote control while you press the numeric button that matches the projector's ID. Then release the buttons.



5. Press the **ID** button on the remote control to check if the ID-setting process worked.  
You see a message displayed by the projector.
  - If the remote control is listed as **On**, the remote control ID is set to operate only the listed projector.
  - If the remote control is listed as **Off**, the remote control ID is not set properly. Repeat the steps above to set the ID to match the projector you want to control.

**Note:** You must set the remote control ID to match the projector ID each time you turn on the projector you have set it to control.

6. To allow the remote control to operate any compatible projectors again (ID number is zero), repeat the steps above and set the remote control ID number to **0**.

**Parent topic:** [Projector Identification System for Multiple Projector Control](#)

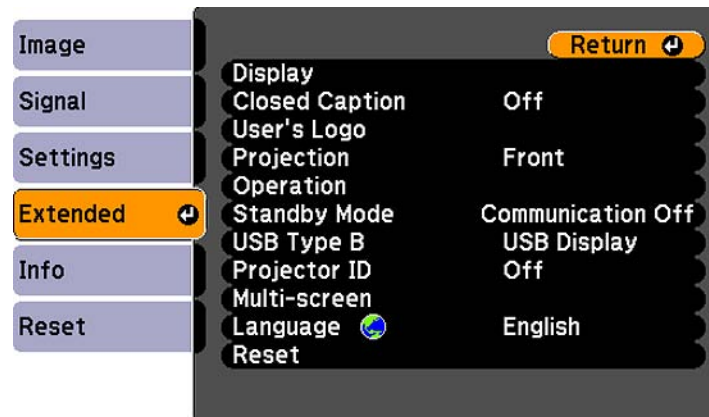
## Matching Multiple-Projector Display Quality

You can match the display quality of multiple projectors that will project next to each other.

1. Turn on all the projectors on which you want to match the display quality.
2. Set ID numbers on each projector.
3. Make sure all the projectors are using the same **Color Mode** setting.
4. It is best to match two projectors at a time, so set the remote control ID to match the first projector.



5. Press the **Menu** button, select the **Extended** menu, and press **Enter**.



6. Select the **Multi-screen** setting and press **Enter**.
7. Set the **Adjustment Level** setting to **1** and press **Enter**.
8. Set the remote control ID to match the second projector.
9. Access the **Extended** menu **Multi-screen** setting on the second projector and set the **Adjustment Level** setting to **1**.
10. Adjust the **Brightness Correct.** setting on the projector with the darkest display so it matches the lighter display, and press **Enter**. (You may need to switch the remote control ID back and forth to make adjustments to each projector in all of these steps.)
11. Change the **Adjustment Level** setting to **5** on each projector, but this time match the lighter display to the darker one.
12. Adjust the **Brightness Correct.** setting on **Adjustment Level 2, 3 , and 4** in the same way.
13. Adjust the green-to-red (**G/R**) and blue-to-yellow (**B/Y**) balance for all the levels on both projectors in the same way.
14. If you need to match more projectors, repeat these steps matching projector 3 to projector 2, 4 to 3, and so on.

**Parent topic:** [Projector Identification System for Multiple Projector Control](#)

---

# Adjusting the Menu Settings

Follow the instructions in these sections to access the projector menu system and change projector settings.

[Using the Projector's Menus](#)

[Image Quality Settings - Image Menu](#)

[Input Signal Settings - Signal Menu](#)

[Projector Feature Settings - Settings Menu](#)

[Projector Setup Settings - Extended Menu](#)

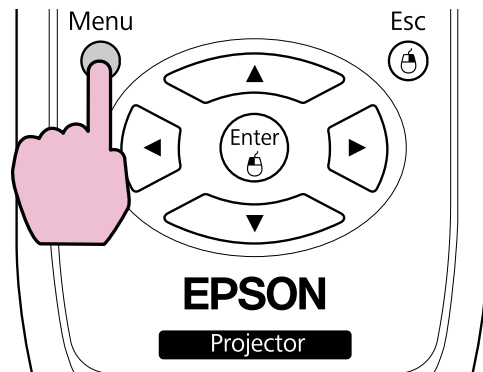
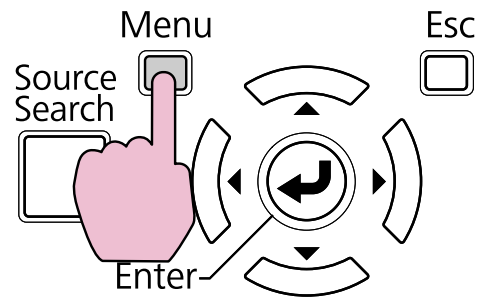
[Projector Information Display - Info Menu](#)

[Projector Reset Options - Reset Menu](#)

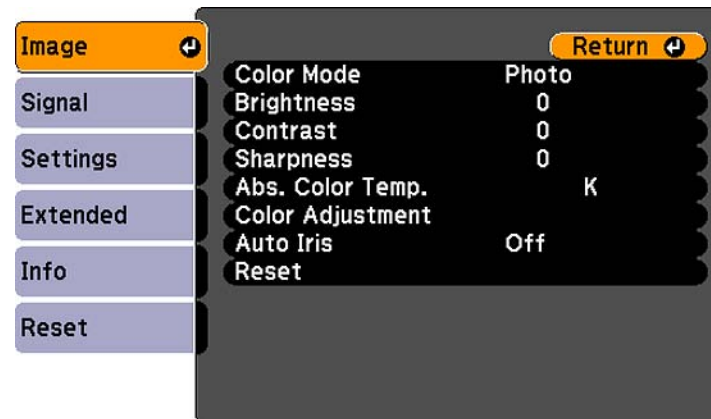
## Using the Projector's Menus

You can use the projector's menus to adjust the settings that control how your projector works. The projector displays the menus on the screen.

1. Press the **Menu** button on the control panel or remote control.



You see the menu screen displaying the Image menu settings.



2. Press the up or down arrow buttons to move through the menus listed on the left. The settings for each menu are displayed on the right.

**Note:** The available settings depend on the current input source.

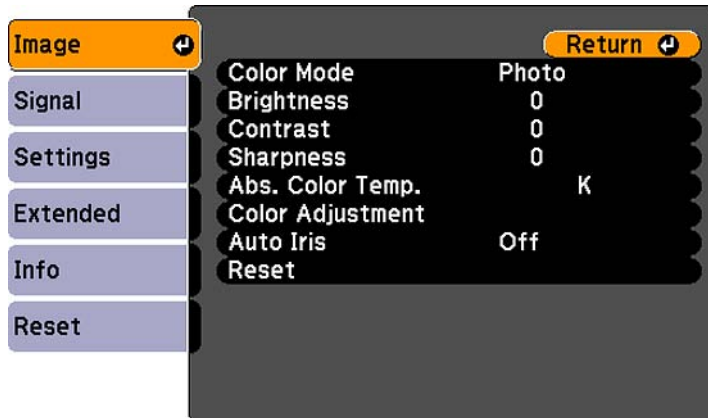
3. To change settings in the displayed menu, press **Enter**.
4. Press the up or down arrow button to move through the settings.
5. Change the settings using the buttons listed on the bottom of the menu screens.
6. To return all the menu settings to their default values, select **Reset**.
7. When you finish changing settings on a menu, press **Esc**.
8. Press **Esc** or **Menu** to exit the menu system.

**Parent topic:** [Adjusting the Menu Settings](#)

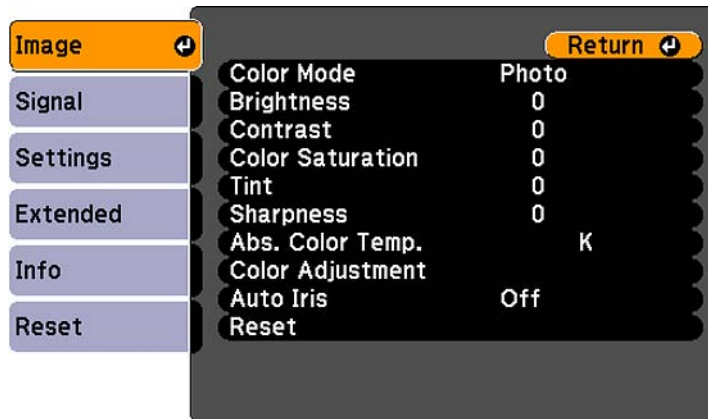
## Image Quality Settings - Image Menu

Settings on the Image menu let you adjust the quality of your image for the input source you are currently using. The available settings depend on the currently selected input source.

Computer input source



Video input source



To change settings for an input source, make sure the source is connected and select that source.

Setting	Options	Description
<b>Color Mode</b>	See the list of available Color Modes	Adjusts the vividness of image colors for various image types and environments

Setting	Options	Description
<b>Brightness</b>	Varying levels available	Lightens or darkens the overall image
<b>Contrast</b>	Varying levels available	Adjusts the difference between light and dark areas of the image
<b>Color Saturation</b>	Varying levels available	Adjusts the intensity of the image colors
<b>Tint</b>	Varying levels available	Adjusts the balance of green to magenta tones in the image
<b>Sharpness</b>	Varying levels available	Adjusts the sharpness or softness of image details
<b>Abs. Color Temp</b> (absolute color temperature)	5000 to 10000 °K (Kelvin)	Sets the color tone based on color temperature
<b>Color Adjustment</b>	Slider bars for each color	Adjusts the intensity of red, green, and blue hues in the image; for Customized Color Mode, also adjusts cyan, magenta, and yellow hues and saturation
<b>Auto Iris</b>	<b>On</b> <b>Off</b>	Adjusts the projected luminance based on the image brightness when certain Color Modes are selected

**Note:** The **Brightness** setting does not affect lamp brightness. To change the lamp brightness mode, use the **Power Consumption** setting.

Parent topic: [Adjusting the Menu Settings](#)

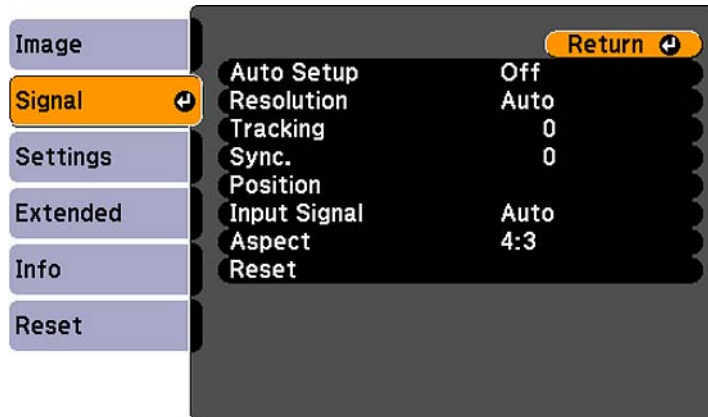
Related references

[Available Color Modes](#)

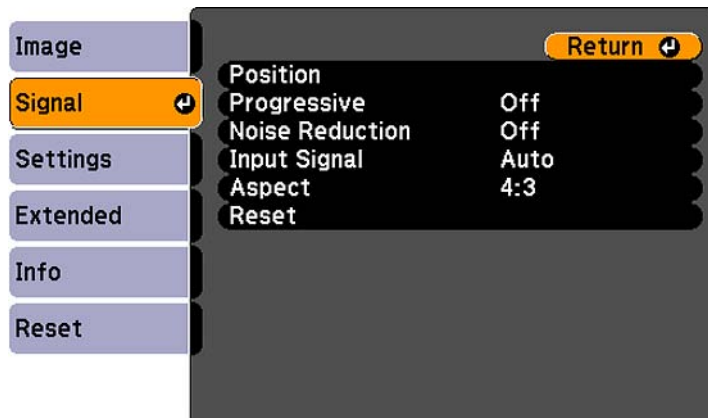
## Input Signal Settings - Signal Menu

Normally the projector detects and optimizes the input signal settings automatically. If you need to customize the settings, you can use the Signal menu.

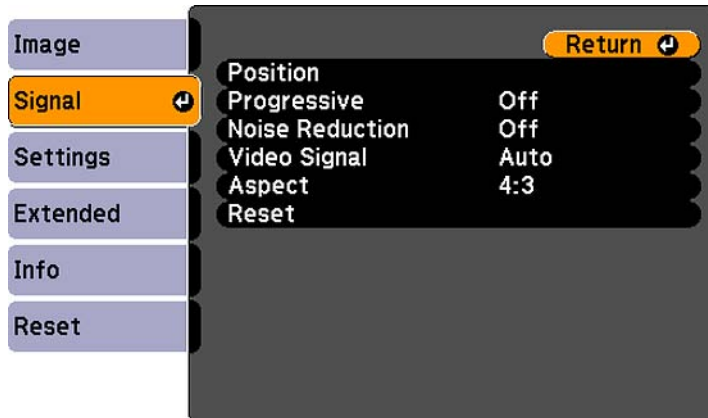
### Computer/RGB video input source



### Component video input source



### Composite video input source



**Note:** You can restore the default settings of the **Position**, **Tracking**, and **Sync** settings by pressing the **Auto** button on the remote control.

To change settings for an input source, make sure the source is connected and select that source.

Setting	Options	Description
<b>Auto Setup</b>	<b>On</b> <b>Off</b>	Automatically optimizes computer image quality (when On)
<b>Resolution</b>	<b>Auto</b> <b>Normal</b> <b>Wide</b> <b>Customized (1 and 2)</b> Various resolutions	Sets the input signal resolution if not detected automatically using the <b>Auto</b> option.
<b>Tracking</b>	Varying levels available	Adjusts signal to eliminate vertical stripes in computer images
<b>Sync</b>	Varying levels available	Adjusts signal to eliminate fuzziness or flickering in computer images



Setting	Options	Description
<b>Position</b>	Up, down, left, right	Adjusts the image location on the screen
<b>Noise Reduction</b>	Off NR1 NR2	Reduces flickering in analog images in two levels
<b>Progressive</b>	Off Video Film/Auto	Sets whether to convert interlaced-to-progressive signals for certain video image types <b>Off:</b> for fast-moving video images <b>Video:</b> for most video images <b>Film/Auto:</b> for movies, computer graphics, and animation
<b>Input Signal</b>	Auto RGB Component	Specifies the signal type from input sources connected to computer ports <b>Auto:</b> detects signals automatically <b>RGB:</b> corrects color for computer/RGB video inputs <b>Component:</b> corrects color for component video inputs
<b>Video Signal</b>	Auto Various video standards	Specifies the signal type from the input sources connected to the composite video and <b>S-Video</b> ports <b>Auto:</b> detects signal automatically
<b>Aspect</b>	See the list of available aspect ratios	Sets the aspect ratio (width-to-height ratio) for the selected input source

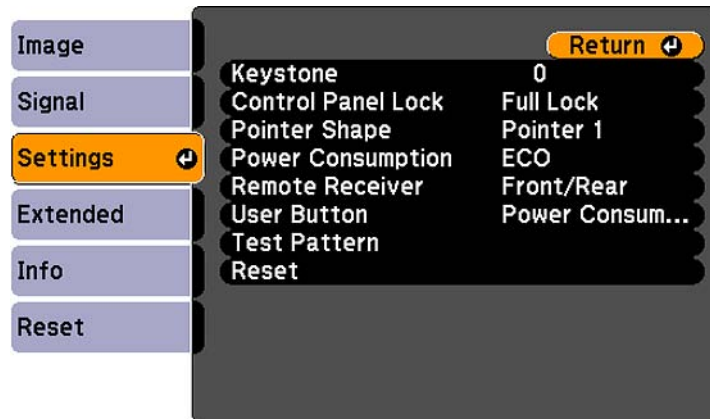
Parent topic: [Adjusting the Menu Settings](#)

## Related references

[Available Image Aspect Ratios](#)

# Projector Feature Settings - Settings Menu

Options on the Settings menu let you customize various projector features.



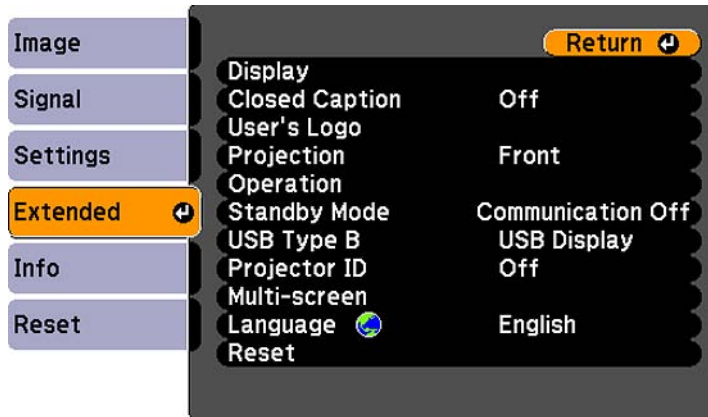
Setting	Options	Description
Keystone	Varying levels available	Adjusts image shape vertically
Control Panel Lock	<b>Full Lock</b> <b>Partial Lock</b> <b>Off</b>	Controls projector button locking to secure the projector <b>Full Lock:</b> locks all buttons <b>Partial Lock:</b> locks all buttons except <b>Power</b> <b>Off:</b> no buttons locked
Pointer Shape	Three shapes available	Changes the shape of the remote control pointer feature

Setting	Options	Description
<b>Power Consumption</b>	<b>Normal</b> <b>ECO</b>	Selects the brightness mode of the projector lamp  <b>Normal:</b> sets maximum lamp brightness <b>ECO:</b> reduces lamp brightness and fan noise, and saves power and lamp life
<b>Remote Receiver</b>	<b>Front</b> <b>Rear</b> <b>Front/Rear</b> <b>Off</b>	Turns off reception of remote control signals by receivers on the projector; <b>Off</b> leaves all receivers turned on
<b>User Button</b>	<b>Power Consumption</b> (default) <b>Info</b> <b>Progressive</b> <b>Test Pattern</b> <b>Closed Caption</b> <b>Multi-screen</b> <b>Resolution</b>	Assigns a menu option to the <b>User</b> button on the remote control for one-touch access
<b>Test Pattern</b>	<b>On</b> <b>Off</b>	Displays a test pattern to assist in focusing and zooming the image and correcting image shape (press <b>Esc</b> to cancel pattern display)

Parent topic: [Adjusting the Menu Settings](#)

## Projector Setup Settings - Extended Menu

Settings on the Extended menu let you customize various projector setup features that control its operation.



Setting	Options	Description
Display	<b>Messages</b> <b>Display Background</b> <b>Startup Screen</b> <b>A/V Mute</b>	Selects various display options <b>Messages:</b> controls whether messages are displayed on the screen <b>Display Background:</b> selects the screen color or logo to display when no signal is received <b>Startup Screen:</b> controls whether a special screen appears when the projector starts up <b>A/V Mute:</b> selects the screen color or logo to display when A/V Mute is turned on
Closed Caption	<b>Off</b> <b>CC1, CC2, CC3, CC4</b> <b>TEXT1, TEXT2, TEXT3, TEXT4</b>	Controls use of closed captions and selects the closed caption or text channel

Setting	Options	Description
User's Logo	--	Creates a screen that the projector displays to identify itself and enhance security
Projection	Front Front/Ceiling Rear Rear Ceiling	Selects the way the projector faces the screen so the image is oriented correctly
Operation	Direct Power On Sleep Mode Sleep Mode Timer Lens Cover Timer High Altitude Mode	Selects various operation options  <b>Direct Power On:</b> lets you turn on the projector without pressing the <b>Power</b> button  <b>Sleep Mode:</b> automatically turns off the projector after an interval of inactivity  <b>Sleep Mode Timer:</b> sets the interval for Sleep Mode  <b>Lens Cover Timer:</b> automatically turns off the projector after 30 minutes if the lens cover is closed  <b>High Altitude Mode:</b> regulates the projector's operating temperature at altitudes above 4921 feet (1500 m)
Standby Mode	Communication On Communication Off	Selects whether the projector can be monitored over a network or RS-232 serial connection when it is in standby mode (on) or not (off)

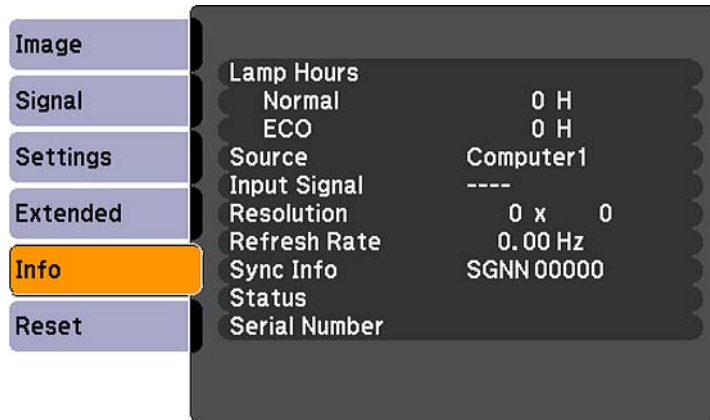
Setting	Options	Description
<b>USB Type B</b>	<b>USB Display</b> <b>Wireless Mouse</b>	Selects the use of the projector's USB Type B port  <b>USB Display:</b> select when you connect a computer to the projector's <b>USB TypeB</b> port to display images  <b>Wireless Mouse:</b> select for wireless mouse control when you connect your source to the projector's <b>Computer</b> port
<b>Projector ID</b>	<b>Off</b> <b>1 through 9</b>	Assigns an ID for the projector when you use multiple projectors
<b>Multi-screen</b>	<b>Adjustment Level (1 to 5)</b> <b>Brightness Correct.</b> <b>Color Correct.</b>	Matches display qualities and colors of multiple projectors
<b>Language</b>	Various languages available	Selects the language for projector menu and message displays (not changed by <b>Reset</b> option)

Parent topic: [Adjusting the Menu Settings](#)

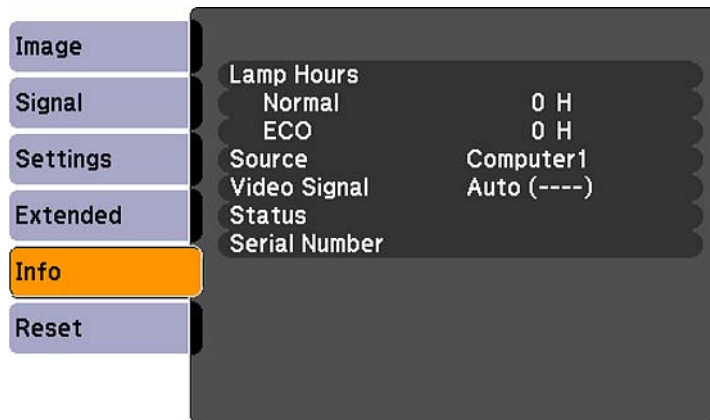
## Projector Information Display - Info Menu

You can display information about the projector and input sources by viewing the Info menu. However, you cannot change any settings in the menu.

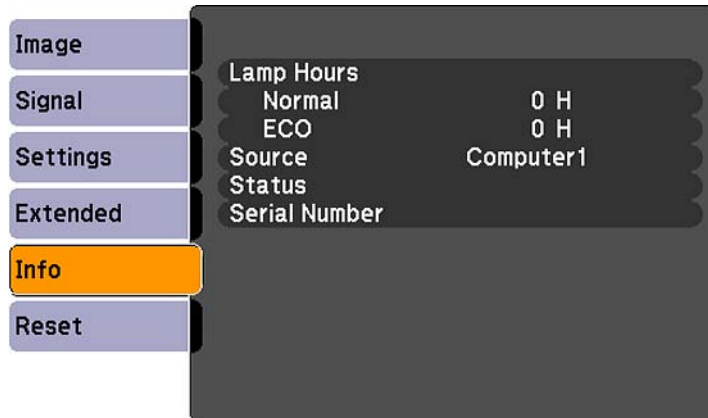
Computer input source



#### Video input source



#### USB input source



**Note:** The lamp usage timer does not register any hours until you have used the lamp for at least 10 hours. Available settings depend on the current input source.

Information item	Description
<b>Lamp Hours</b>	Displays the number of hours ( <b>H</b> ) the lamp has been used in <b>Normal</b> and <b>ECO</b> Power Consumption modes; if the information is displayed in yellow, obtain a genuine Epson replacement lamp soon
<b>Source</b>	Displays the name of the port to which the current input source is connected
<b>Input Signal</b>	Displays the input signal setting of the current input source
<b>Resolution</b>	Displays the resolution of the current input source
<b>Video Signal</b>	Displays the video signal format of the current input source
<b>Refresh Rate</b>	Displays the refresh rate of the current input source
<b>Sync Info</b>	Displays information that may be needed by a service technician
<b>Status</b>	Displays information about projector problems that may be needed by a service technician
<b>Serial Number</b>	Displays the projector's serial number

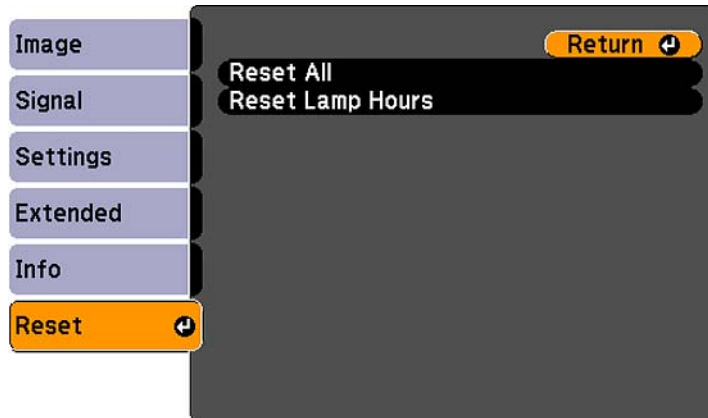
Parent topic: [Adjusting the Menu Settings](#)



## Projector Reset Options - Reset Menu

You can reset most of the projector settings to their default values using the **Reset All** option on the Reset menu.

You can also reset the projector's lamp usage timer to zero when you replace the lamp using the **Reset Lamp Hours** option.



You cannot reset the following settings using the **Reset All** option:

- Computer Input Signal
- User's Logo
- Language
- Lamp Hours

**Parent topic:** [Adjusting the Menu Settings](#)

---

# Maintaining and Transporting the Projector

Follow the instructions in these sections to maintain your projector and transport it from place to place.

[Projector Maintenance](#)

[Transporting the Projector](#)

## Projector Maintenance

Your projector needs little maintenance to keep working at its best.

You may need to clean the lens periodically, and clean the air filter and air vents to prevent the projector from overheating due to blocked ventilation.

The only parts you should replace are the lamp, air filter, and remote control batteries. If any other part needs replacing, contact Epson or an authorized Epson servicer.

**WARNING:** Before cleaning any part of the projector, turn it off and unplug the power cord. Never open any cover on the projector, except the lamp cover. Dangerous electrical voltages in the projector can injure you severely.

**WARNING:** Do not try to service this product yourself, except as specifically explained in this manual. Refer all other servicing to qualified servicers.

[Cleaning the Lens](#)

[Cleaning the Projector Case](#)

[Air Filter and Vent Maintenance](#)

[Projector Lamp Maintenance](#)

[Replacing the Remote Control Batteries](#)

**Parent topic:** [Maintaining and Transporting the Projector](#)

## Cleaning the Lens

Clean the projector's lens periodically, or whenever you notice dust or smudges on the surface.

- To remove dust or smudges, gently wipe the lens with lens-cleaning paper.
- To remove stubborn smudges, moisten a soft, lint-free cloth with lens cleaner and gently wipe the lens.

**Caution:** Do not use glass cleaner to clean the lens, or you may damage it. Avoid touching the lens with your bare hands to prevent fingerprints on or damage to the lens surface.

**Parent topic:** [Projector Maintenance](#)

## **Cleaning the Projector Case**

Before cleaning the projector case, turn off the projector and unplug the power cord.

- To remove dust or dirt, use a soft, dry, lint-free cloth.
- To remove stubborn dirt, use a soft cloth moistened with water and mild soap.

**Caution:** Do not use wax, alcohol, benzene, paint thinner, or other chemicals to clean the projector case. These can damage the case.

**Parent topic:** [Projector Maintenance](#)

## **Air Filter and Vent Maintenance**

The projector's air filter keeps the intake air clean, and its vents expel the exhaust. If dust collects on the air filter or vents, clean them as described in this manual. Dust clogs may cause the projector to overheat due to improper ventilation.

Be sure to clean the air filter and vents if you see a message telling you to do so. Also make sure nothing blocks the vents.

[Cleaning the Air Filter and Vents](#)

[Replacing the Air Filter](#)

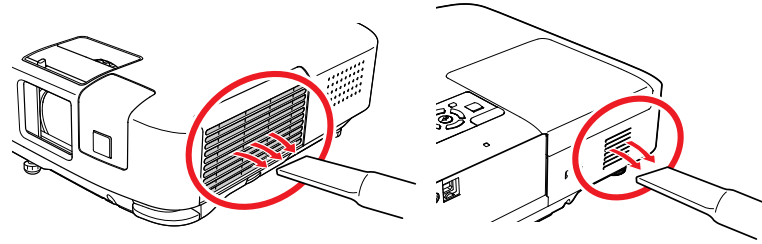
**Parent topic:** [Projector Maintenance](#)

### **Cleaning the Air Filter and Vents**

Be sure to clean the projector's air filter or vents if they get dusty, or if you see a message telling you to clean them.

1. Turn off the projector and unplug the power cord.

2. Gently remove the dust using a small vacuum designed for computers or a very soft brush (such as a paintbrush).



**Note:** You can remove the air filter so you can clean both sides of it.

3. If dust is difficult to remove or the air filter is damaged, replace the air filter.

**Parent topic:** [Air Filter and Vent Maintenance](#)

### Replacing the Air Filter

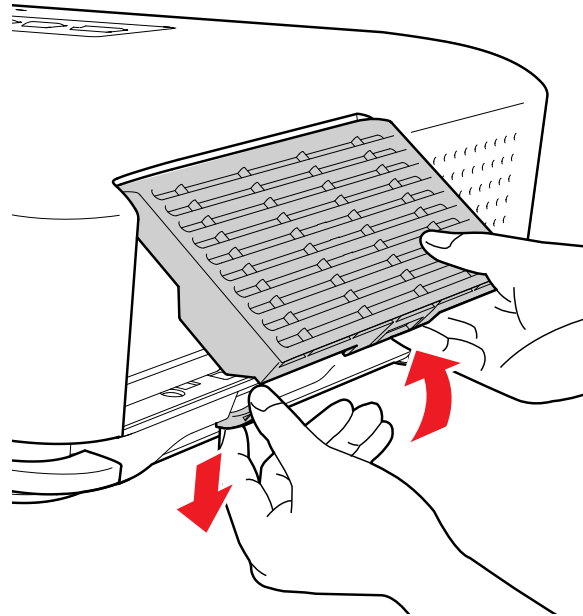
You need to replace the air filter in the following situations:

- After cleaning the air filter, you see a message telling you to clean or replace it
- The air filter is torn or damaged

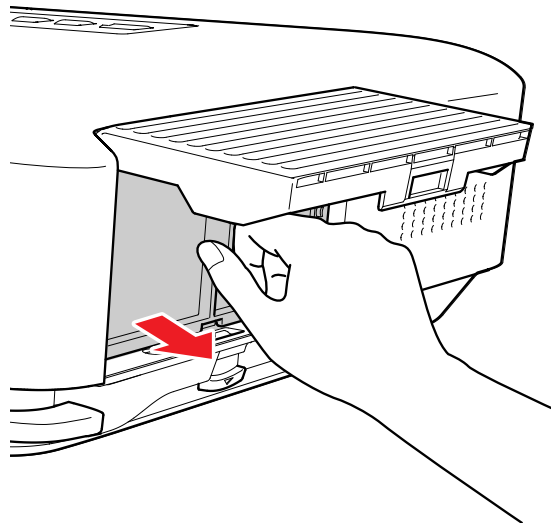
You can replace the air filter while the projector is mounted to the ceiling, if necessary. The illustrations below show the projector placed on a table.

1. Turn off the projector and unplug the power cord.

2. Open the air filter cover.

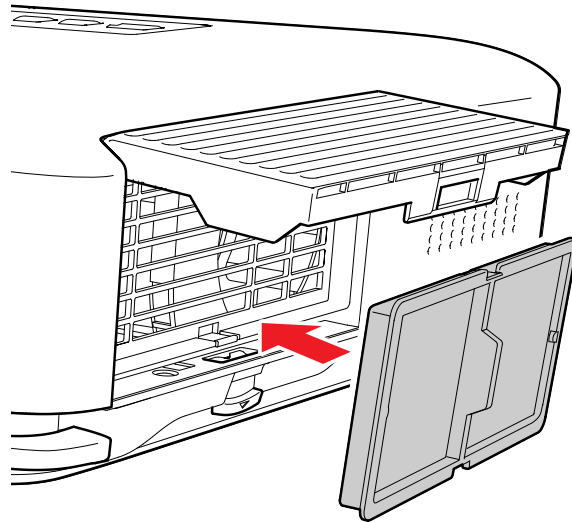


3. Pull the air filter out of the projector.



**Note:** Air filters contain polycarbonate, ABS resin, and polyurethane foam. Dispose of used air filters according to local regulations.

4. Place the new air filter in the projector as shown and push gently until it clicks into place.



5. Close the air filter cover.

**Parent topic:** [Air Filter and Vent Maintenance](#)

## Projector Lamp Maintenance

The projector keeps track of the number of hours the lamp is used and displays this information in the projector's menu system.

Replace the lamp as soon as possible when the following occurs:

- The projected image gets darker or starts to deteriorate
- A message appears when you turn on the projector telling you to replace the lamp
- The projector's lamp light is flashing orange

[Replacing the Lamp](#)

[Resetting the Lamp Timer](#)

**Parent topic:** [Projector Maintenance](#)

### Related references

[Projector Information Display - Info Menu](#)

Projector Lamp Specifications  
Optional Equipment and Replacement Parts

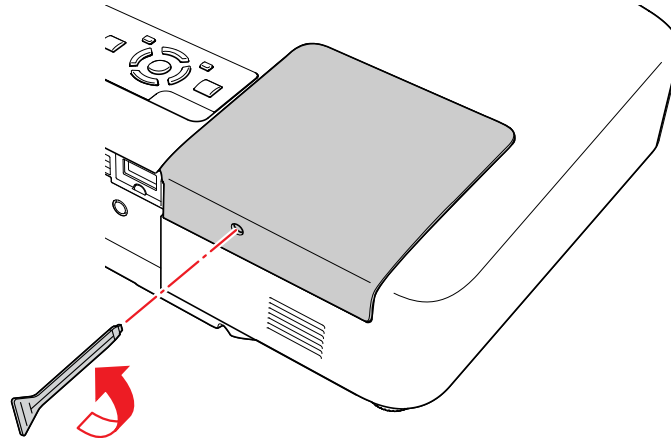
### Replacing the Lamp

Before you replace the lamp, let the projector cool down for at least one hour so the lamp will not be hot.

**WARNING:** Let the lamp fully cool before replacing it to avoid injury.

You can replace the lamp while the projector is mounted to the ceiling, if necessary.

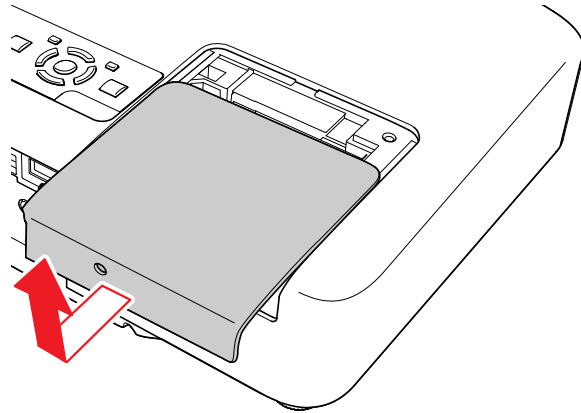
1. Turn off the projector and unplug the power cord.
2. Allow the projector lamp to cool down for at least one hour.
3. Use the screwdriver included with the replacement lamp to loosen the screw securing the lamp cover.



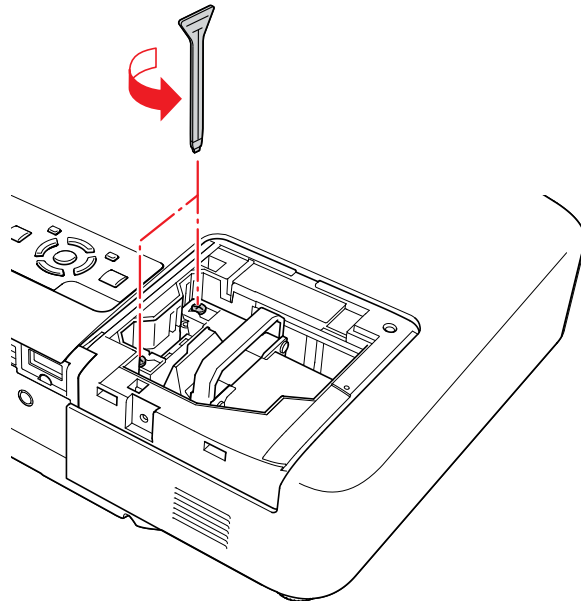
**WARNING:** If the lamp is broken, glass fragments may be loose inside the lamp chamber. Be careful removing any broken glass to avoid injury.



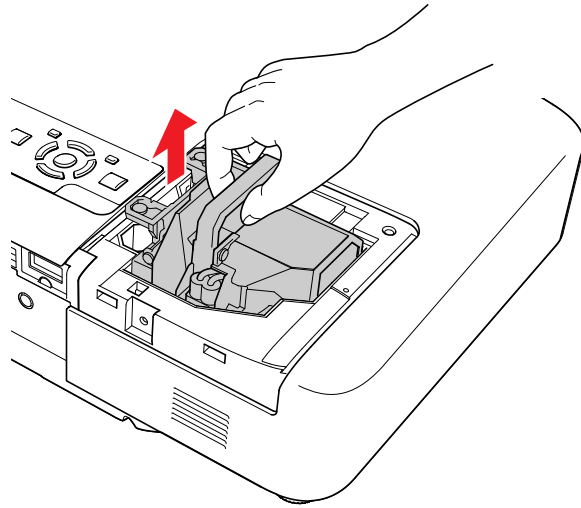
4. Slide the lamp cover out and lift it off.




5. Loosen the screws securing the lamp to projector. The screws do not come all the way out.

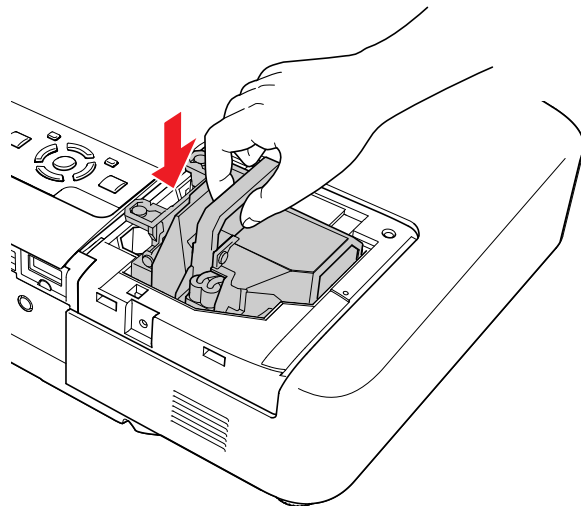


6. Grasp the lamp as shown and pull it out of the projector.



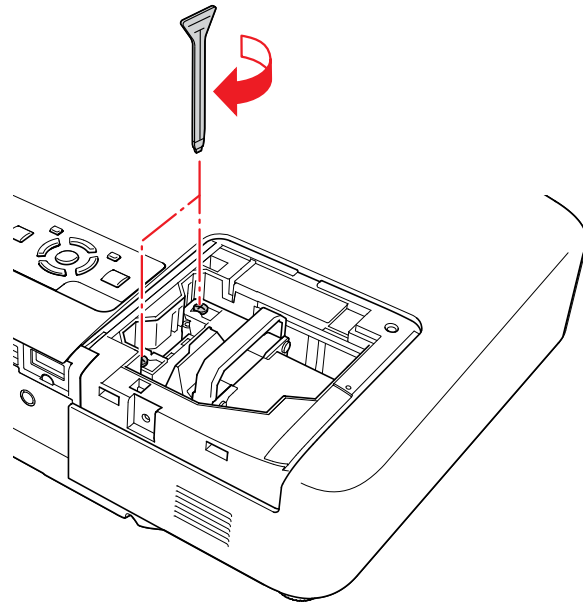
**Note:**  The lamp(s) in this product contain mercury. Please consult your state and local regulations regarding disposal or recycling. Do not put in the trash.

7. Gently insert the new lamp into the projector. If it does not fit easily, make sure it is facing the right way.

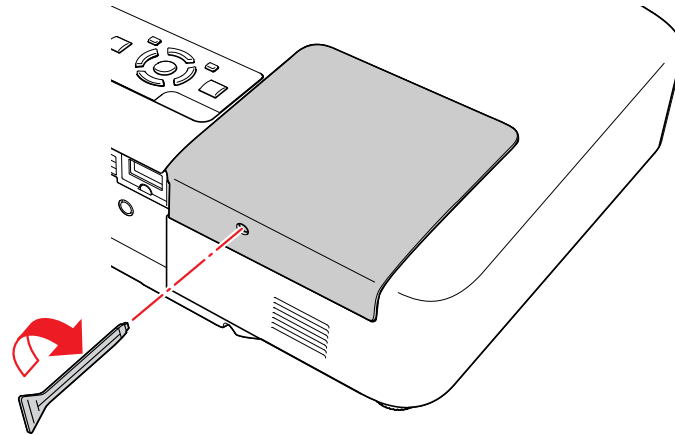


**Caution:** Do not touch any glass on the lamp assembly to avoid premature lamp failure.

8. Push in the lamp firmly at the labelled point and tighten the screws to secure it.



9. Replace the lamp cover and tighten the screw to secure it.



**Note:** Be sure the lamp cover is securely installed or the lamp will not come on.

Reset the lamp timer to zero to keep track of the new lamp's usage.

**Parent topic:** [Projector Lamp Maintenance](#)

**Related references**

[Optional Equipment and Replacement Parts](#)

**Related tasks**

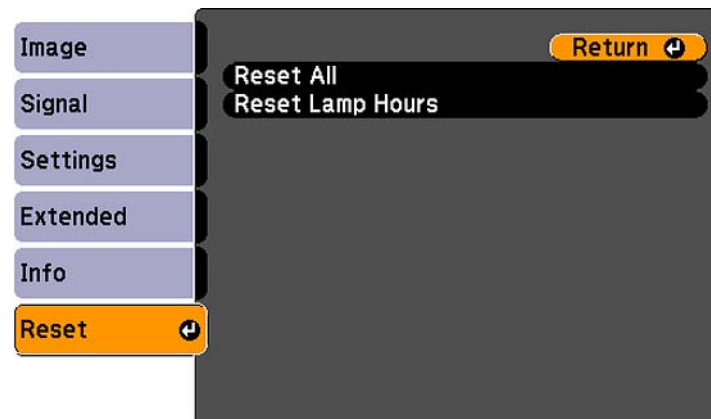
[Resetting the Lamp Timer](#)

## Resetting the Lamp Timer

You must reset the lamp timer after replacing the projector's lamp to clear the lamp replacement message and to keep track of lamp usage correctly.

**Note:** Do not reset the lamp timer if you have not replaced the lamp to avoid inaccurate lamp usage information.

1. Turn on the projector.
2. Press the **Menu** button.
3. Select the **Reset** menu.



4. Press **Enter**.
5. Select **Reset Lamp Hours** and press **Enter**.  
You see a prompt asking if you want to reset the lamp hours.

6. Select **Yes** and press **Enter**.

**Parent topic:** [Projector Lamp Maintenance](#)

**Related tasks**

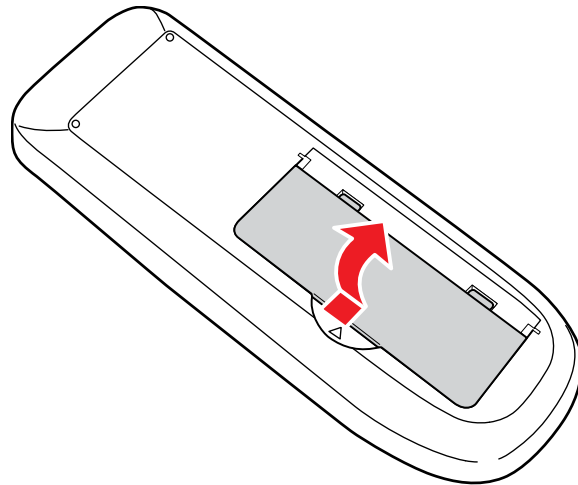
[Replacing the Lamp](#)

## Replacing the Remote Control Batteries

The remote control uses the two AA manganese or alkaline batteries.

Replace the batteries as soon as they run out.

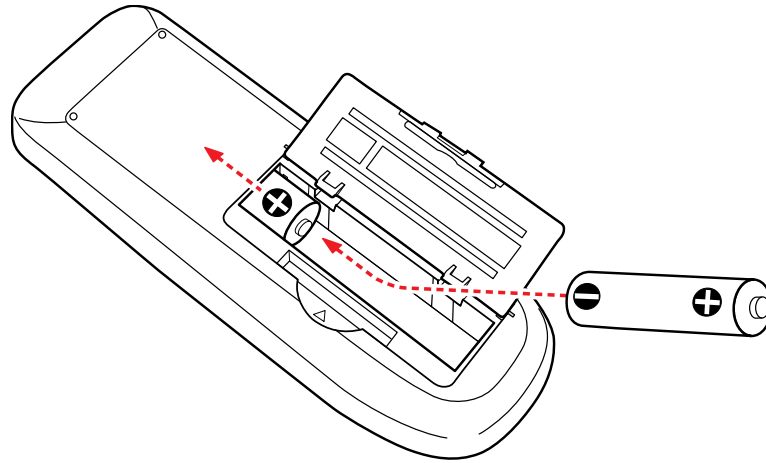
1. Open the battery cover as shown.



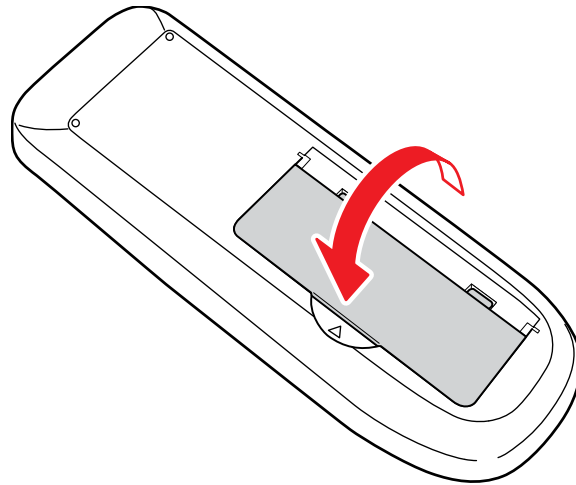
2. Remove the old batteries.

**WARNING:** If the battery fluid has leaked, wipe it away with a soft cloth and avoid getting the fluid on your hands. If it gets on your hands, wash them immediately to avoid injury.

3. Insert the batteries with the + and – ends facing as shown.



4. Close the battery cover and press it down until it clicks into place.



**WARNING:** Dispose of used batteries according to local regulations. Do not expose batteries to heat or flame.

**Parent topic:** [Projector Maintenance](#)

**Related references**

[Remote Control Operation](#)

## Transporting the Projector

The projector contains precision parts, some of which are glass. Follow these guidelines to transport or ship the projector safely:

- Close the lens cover to protect the lens.
- Remove any equipment connected to the projector.
- Use a carrying case to hand-carry the projector.
- When transporting the projector a long distance or as checked luggage, place it in a carrying case. Then pack the case in a firm box with cushioning around it and mark the box "Fragile".
- When shipping the projector for repairs, place it in its original packing materials, if possible, or use equivalent materials with cushioning around the projector. Mark the box "Fragile".

**Parent topic:** [Maintaining and Transporting the Projector](#)



---

# Solving Problems

Check the solutions in these sections if you have any problems using the projector.

[Projection Problem Tips](#)

[Projector Light Status](#)

[Using the Projector Help Displays](#)

[Solving Image Problems](#)

[Solving Projector or Remote Control Operation Problems](#)

[Where to Get Help](#)

## Projection Problem Tips

If the projector is not working properly, try turning it off and unplugging it. Then plug it back in and turn it on.

If this does not solve the problem, check the following:

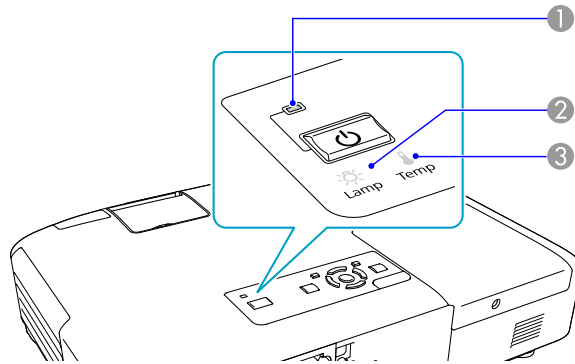
- The lights on the projector's control panel may indicate what the problem is.
- The projector's help system can display information about common problems, if the projector is operating.
- The solutions in this manual can help you solve many problems.

If none of these solutions help, you can contact Epson for technical support.

**Parent topic:** [Solving Problems](#)

## Projector Light Status

The lights on the projector's control panel indicate the projector status and let you know when a problem occurs. Check the status and color of the lights and look for a solution in the table below.



- 1 Power light
- 2 Lamp light
- 3 Temperature light

Power light	Lamp light	Temperature light	Status and solution
Green	Off	Off	Normal operation.
Flashing green	Off	Off	Warming up. Wait for an image to appear.
Orange	Off	Off	Standby or sleep mode.
Flashing orange	Off	Off	Preparing network monitoring or shutting down. (Wait for the light to remain orange before unplugging the projector.)

Power light	Lamp light	Temperature light	Status and solution
Red	Off	Flashing orange	<p>Projector is too hot.</p> <ul style="list-style-type: none"> <li>• Make sure that the vents and air filter are not clogged with dust or obstructed by nearby objects.</li> <li>• Make sure the environmental temperature is not too hot.</li> </ul>
Red	Off	Red	<p>Projector has overheated and turned off. Leave it turned off to cool down for five minutes.</p> <ul style="list-style-type: none"> <li>• Make sure that the vents and air filter are not clogged with dust or obstructed by nearby objects.</li> <li>• If operating the projector at high altitude, turn on <b>High Altitude Mode</b>.</li> <li>• If overheating continues, replace the air filter.</li> <li>• If the problem persists, unplug the projector and contact Epson for help.</li> </ul>
Red	Flashing red	Off	<p>Lamp or lamp cover has a problem.</p> <ul style="list-style-type: none"> <li>• Close the lamp cover securely.</li> <li>• Check to see if the lamp is burned out, broken, or installed incorrectly. Reseat or replace the lamp as necessary.</li> <li>• Make sure that the vents and air filter are not clogged with dust or obstructed by nearby objects.</li> <li>• If operating the projector at high altitude, turn on <b>High Altitude Mode</b>.</li> <li>• If the problem persists, unplug the projector and contact Epson for help.</li> </ul>
Orange	Flashing orange	Off	<p>Replace the lamp soon to avoid damage. Do not continue using the projector.</p>

Power light	Lamp light	Temperature light	Status and solution
Red	Off	Flashing red	A fan or sensor has a problem. Turn the projector off, unplug it, and contact Epson for help.
Red or flashing red	Flashing red	Flashing red	Internal projector error. Turn the projector off, unplug it, and contact Epson for help.

Parent topic: [Solving Problems](#)

## Using the Projector Help Displays

You can display information to help you solve common problems using the projector's Help system.

1. Turn on the projector.
2. Press the **Help** button on the projector or the remote control.  
You see the Help menu.
3. Use the up and down arrow buttons to highlight the problem you want to solve.
4. Press **Enter** to view the solutions.
5. When you are finished, do one of the following:
  - To select another problem to solve, press **Esc**.
  - To exit the help system, press **Help**.

Parent topic: [Solving Problems](#)

## Solving Image Problems

Check the solutions in these sections if you have any problems with projected images.

[Solutions When No Image Appears](#)

[Solutions When "No Signal" Message Appears](#)

[Solutions When "Not Supported" Message Appears](#)

[Solutions When Only a Partial Image Appears](#)

[Solutions When the Image is Not Rectangular](#)

[Solutions When the Image Contains Noise or Static](#)

[Solutions When the Image is Fuzzy or Blurry](#)

[Solutions When the Image Brightness or Colors are Incorrect](#)

**Parent topic:** [Solving Problems](#)

## Solutions When No Image Appears

If no image appears, try the following solutions:

- Make sure the lens cover is open or off.
- Press the **A/V Mute** button to see if the image was temporarily turned off.
- Press the projector's power button to wake it from standby or sleep mode. Also see if your connected computer is in sleep mode or displaying a blank screen saver.
- If you unplugged the projector and plugged it right back in, press the power button to turn on the projector (with **Direct Power On** enabled).
- Check the settings on the Signal menu to make sure they are correct for the current video source.
- Adjust the **Brightness** setting or select the **Normal** Power Consumption setting.
- Check the **Display** setting to make sure **Messages** is set to **On**.
- If the projector does not respond when you press the control panel buttons, the buttons may be locked. Unlock the buttons.
- If the projector does not respond when you press buttons on the remote control, make sure the remote receivers are turned on.

**Parent topic:** [Solving Image Problems](#)

### Related references

[Image Quality Settings - Image Menu](#)

[Input Signal Settings - Signal Menu](#)

[Projector Feature Settings - Settings Menu](#)

[Projector Setup Settings - Extended Menu](#)

### Related tasks

[Unlocking the Projector's Buttons](#)

## Solutions When "No Signal" Message Appears

If the "No Signal" message appears, try the following solutions:

- Press the **Source Search** button and wait a few seconds for an image to appear.
- Turn on the connected computer or video source, and press **Play** to begin your presentation, if necessary.

- Check the connection from the projector to your video sources.
- If you are projecting from a laptop computer, make sure it is set up to display on an external monitor.

[Displaying From a PC Laptop](#)

[Displaying From a Mac Laptop](#)

**Parent topic:** [Solving Image Problems](#)

### Displaying From a PC Laptop

If you see the "No Signal" message when you display from a PC laptop, you need to set up the laptop to display on an external monitor.

1. Hold down the laptop's **Fn** key and press the key labelled with a monitor icon or **CRT/LCD**. (See your laptop manual for details.) Wait a few seconds for an image to appear.
2. To display on both the laptop's monitor and the projector, try pressing the same keys again.
3. If the same image is not displayed by the laptop and projector, check the Windows **Display** utility to make sure the external monitor port is enabled. (See your computer or Windows manual for instructions.)

**Parent topic:** [Solutions When "No Signal" Message Appears](#)

### Displaying From a Mac Laptop

If you see the "No Signal" message when you display from a Mac laptop, you need to set up the laptop for mirrored display.

1. Open the **System Preferences** utility and select **Displays**.
2. Select **Detect Displays**.
3. On the **Arrange** or **Arrangement** screen, check the **Mirror Displays** checkbox. (See your laptop manual for details.)

**Parent topic:** [Solutions When "No Signal" Message Appears](#)

### Solutions When "Not Supported" Message Appears

If the "Not Supported" message appears, try the following solutions:

- Make sure the correct input signal is selected on the **Signal** menu.
- Make sure the computer's display resolution does not exceed the projector's resolution and frequency limit. If necessary, select a different display resolution for your computer. (See your computer manual for details.)

**Parent topic:** [Solving Image Problems](#)

### Related references

[Input Signal Settings - Signal Menu](#)  
[Supported Video Display Formats](#)

## Solutions When Only a Partial Image Appears

If only a partial computer image appears, try the following solutions:

- Press the **Auto** button on the remote control to optimize the image signal.
- Try adjusting the image position using the **Position** menu setting.
- Press the **Aspect** button on the remote control to select a different image aspect ratio.
- If you zoomed into or out of the image using the **E-Zoom** buttons, press the **Esc** button to return to a full display.
- Check your computer display settings to disable dual display and set the resolution within the projector's limits. (See your computer manual for details.)
- Check the resolution assigned to your presentation files to see if they are created for a different resolution than you are projecting in. (See your software help for details.)

**Parent topic:** [Solving Image Problems](#)

### Related references

[Input Signal Settings - Signal Menu](#)  
[Supported Video Display Formats](#)

## Solutions When the Image is Not Rectangular

If the projected image is not evenly rectangular, try the following solutions:

- Place the projector directly in front of the center of the screen, facing it squarely, if possible.
- If you adjusted the projector height using the projector feet, press the keystone buttons on the projector to adjust the image shape.

**Parent topic:** [Solving Image Problems](#)

### Related references

[Projector Feature Settings - Settings Menu](#)

## Solutions When the Image Contains Noise or Static

If the projected image seems to contain electronic interference (noise) or static, try the following solutions:

- Check the cables connecting your computer or video source to the projector. They should be:
  - Separated from the power cord to prevent interference
  - Securely connected at both ends
  - No longer than 6 feet (2 m)
  - Not connected to an extension cable
- If you are projecting from a laptop computer, try turning off simultaneous display on the laptop screen to avoid splitting the video signal.
- Check the settings on the projector's Signal menu to make sure they match the video source.
- Select a computer video resolution that is compatible with the projector.
- If you are projecting from a computer, press the **Auto** button on the remote control to automatically adjust the tracking and sync settings.
- If you adjusted the image shape using the projector controls, try decreasing the **Sharpness** setting to improve image quality.
- If you connected an extension cable, try projecting without it to see if it caused interference in the signal.

**Parent topic:** [Solving Image Problems](#)

### Related references

[Input Signal Settings - Signal Menu](#)

[Supported Video Display Formats](#)

[Image Quality Settings - Image Menu](#)

### Related tasks

[Displaying From a PC Laptop](#)

[Displaying From a Mac Laptop](#)

## Solutions When the Image is Fuzzy or Blurry

If the projected image is fuzzy or blurry, try the following solutions:

- Adjust the image focus.
- Clean the projector lens.



**Note:** To avoid condensation on the lens after bringing the projector in from a cold environment, let the projector warm up to room temperature before using it.

- Position the projector close enough to the screen, and directly in front of it.
- Turn on automatic keystone adjustment in the projector's menus.
- Adjust the **Sharpness** setting to improve image quality.
- If you are projecting from a computer, press the **Auto** button on the remote control to automatically adjust the tracking and sync. If any bands or overall blurriness remains, display a uniformly patterned image on the screen and manually adjust the **Tracking** and **Sync** settings.

**Parent topic:** [Solving Image Problems](#)

#### **Related references**

[Image Quality Settings - Image Menu](#)

[Input Signal Settings - Signal Menu](#)

[Projection Distance](#)

#### **Related tasks**

[Cleaning the Lens](#)

[Focusing the Image Using the Focus Ring](#)

## **Solutions When the Image Brightness or Colors are Incorrect**

If the projected image is too dark or light, or the colors are incorrect, try the following solutions:

- Press the **Color Mode** button on the remote control to try different color modes for the image and environment.
- Adjust the available settings on the Image menu for the current input source, such as **Brightness**, **Contrast**, **Tint**, **Color Adjustment**, and/or **Color Saturation**.
- Make sure you selected the correct input source on the Signal menu.
- For computers, check the color balance of your computer's display. (See your computer manual for details.)
- If the colors are incorrect from a composite video or S-Video source, make sure you selected the correct **Video Signal** setting.
- If you are using the **ECO** Power Consumption setting, try selecting **Normal** in the Settings menu.
- If the image has been progressively darkening, you may need to replace the projector lamp soon.

**Parent topic:** [Solving Image Problems](#)

### Related concepts

[Projector Lamp Maintenance](#)

### Related references

[Image Quality Settings - Image Menu](#)

[Input Signal Settings - Signal Menu](#)

[Projector Feature Settings - Settings Menu](#)

## Solving Projector or Remote Control Operation Problems

Check the solutions in these sections if you have problems operating the projector or remote control.

[Solutions to Projector Power or Shut-Off Problems](#)

[Solutions to Problems With the Remote Control](#)

[Solutions to Password Problems](#)

**Parent topic:** [Solving Problems](#)

### Solutions to Projector Power or Shut-Off Problems

If the projector does not come on when you press the power button or shuts off unexpectedly, try the following solutions:

- Make sure the power cord is securely connected to the projector and to a working electrical outlet.
- The projector's buttons may be locked for security. Unlock the buttons or use the remote control to turn on the projector.
- The power cord may be defective. Disconnect the cord and contact Epson.
- If the projector's lamp shuts off unexpectedly, it may have entered sleep mode after a period of inactivity. Begin a presentation to wake the projector.
- If the projector's lamp shuts off and the power and **Temp** lights are red, the projector has overheated and shut off. Check the solutions for this light status.
- If the power button on the remote control does not turn on the projector, check its batteries and make sure the **Remote Receivers** setting is turned on in the projector's menus.

**Parent topic:** [Solving Projector or Remote Control Operation Problems](#)

### Related references

[Projector Feature Settings - Settings Menu](#)

[Projector Light Status](#)

## Related tasks

[Unlocking the Projector's Buttons](#)

## Solutions to Problems With the Remote Control

If the projector does not respond to remote control commands, try the following solutions:

- Check that the remote control batteries are installed correctly and have power. If necessary, replace the batteries.
- Make sure you are operating the remote control within the reception angle and range of the projector.
- Check to see if a button on the remote control is stuck down, causing it to enter sleep mode. Release the button to wake the remote control up.
- Strong fluorescent lighting, direct sunlight, or infrared device signals may be interfering with the projector's remote receivers. Dim the lights or move the projector away from the sun or interfering equipment.
- If available, turn off one of the remote receivers in the projector's menu system, or check if all the remote receivers were turned off.
- If you assigned an ID number to the remote control to operate multiple projectors, you may need to check or change the ID setting.
- If you lose the remote control, you can order another one from Epson.

**Parent topic:** [Solving Projector or Remote Control Operation Problems](#)

## Related concepts

[Projector Identification System for Multiple Projector Control](#)

## Related references

[Remote Control Operation](#)

[Projector Feature Settings - Settings Menu](#)

[Optional Equipment and Replacement Parts](#)

## Solutions to Password Problems

If you cannot enter or remember a password, try the following solutions:

- You may have turned on password protection without first setting a password. Try entering **0000** using the remote control.
- If you have entered an incorrect password too many times and see a message displaying a request code, write down the code and contact Epson.

- If you lose the remote control you cannot enter a password. Order another one from Epson.

**Parent topic:** [Solving Projector or Remote Control Operation Problems](#)

## Where to Get Help

If you need to contact Epson for technical support services, use the following support options.

### Internet Support

Visit Epson's support website at [www.epson.com/support](http://www.epson.com/support) for solutions to common problems with your projector. You can download utilities and documentation, get FAQs and troubleshooting advice, or e-mail Epson with your questions.

### Speak to a Support Representative

To use the Epson PrivateLine Support service, call (800) 637-7661 and enter the PIN on the included Epson PrivateLine Support card. This is the fastest way of speaking to a live representative, and it's free. This service is available 6 AM to 6 PM, Pacific Time, Monday through Friday, for the duration of your warranty period.

You may also speak with a projector support specialist by dialing one of these numbers:

- U.S.: (562) 276-4394, 6 AM to 6 PM, Pacific Time, Monday through Friday
- Canada: (905) 709-3839, 6 AM to 6 PM, Pacific Time, Monday through Friday

Days and hours of support are subject to change without notice. Toll or long distance charges may apply.

Before you call, have the following information ready:

- Product name
- Product serial number (located on the bottom or rear of the projector)
- Proof of purchase (such as a store receipt) and date of purchase
- Computer or video configuration
- Description of the problem

### Purchase Supplies and Accessories

You can purchase screens, other optional accessories, and replacement parts from an Epson authorized reseller. To find the nearest reseller, call 800-GO-EPSON (800-463-7766). Or you can purchase online at [www.epsonstore.com](http://www.epsonstore.com) (U.S. sales) or [www.epson.ca](http://www.epson.ca) (Canadian sales).

To purchase a replacement remote control, call (562) 276-4394 (U.S.) or (905) 709-3839 (for dealer referral in Canada).

**Parent topic:** [Solving Problems](#)

---

# Technical Specifications

These sections list the technical specifications of your projector.

[General Projector Specifications](#)

[Projector Lamp Specifications](#)

[Remote Control Specifications](#)

[Projector Dimension Specifications](#)

[Projector Electrical Specifications](#)

[Projector Environmental Specifications](#)

[Projector Safety and Approvals Specifications](#)

[Supported Video Display Formats](#)

## General Projector Specifications

<b>Type of display</b>	Poly-silicon TFT active matrix
<b>Resolution</b>	1024 x 768 pixels (XGA)
<b>Lens</b>	F=1.75 to 2.42 Focal length: 24 to 38.2 mm
<b>Color reproduction</b>	Full color, 16.77 million colors
<b>Brightness</b>	Normal Power Consumption mode: White light output 4000 lumens (ISO 21118 standard) Color light output 4000 lumens ECO Power Consumption mode: White light output 2700 lumens (ISO 21118 standard)
<b>Contrast ratio</b>	2000:1 with Auto Iris <b>On</b> and <b>Normal</b> Power Consumption mode
<b>Image size</b>	30 to 300 inches (0.8 to 7.6 m)
<b>Projection distance</b>	3.1 to 53.2 feet (0.96 to 16.24 m)
<b>Projection methods</b>	Front, rear, ceiling-mounted
<b>Optical aspect ratio</b> (width-to-height)	4:3

<b>Focus adjustment</b>	Manual
<b>Zoom adjustment</b>	Manual
<b>Zoom ratio</b>	1:1.6
(Tele-to-Wide)	
<b>Noise level</b>	37 dB (Normal Power Consumption mode) 29 dB (ECO Power Consumption mode)
<b>Keystone correction angle</b>	± 30° vertical (manual)
<b>USB Type B port compatibility</b>	USB 1.1 and 2.0 compliant for USB display or external mouse



PixelWorks DNX ICs are used in this projector.

Parent topic: [Technical Specifications](#)

## Projector Lamp Specifications

<b>Type</b>	UHE (Ultra High Efficiency)
<b>Power consumption</b>	230 W
<b>Lamp life</b>	Normal Power Consumption mode: Up to about 2500 hours ECO Power Consumption mode: Up to about 3500 hours

**Note:** Turn off this product when not in use to prolong the life of the projector. Lamp life will vary depending upon mode selected, environmental conditions, and usage. Brightness decreases over time.

Parent topic: [Technical Specifications](#)

## Remote Control Specifications

<b>Reception range</b>	26 feet (8 m)
<b>Batteries</b>	Two alkaline AA

Parent topic: [Technical Specifications](#)

## Projector Dimension Specifications

<b>Height</b> (excluding feet)	3.4 inches (86 mm)
<b>Width</b>	14.1 inches (357 mm)
<b>Depth</b>	10.1 inches (257 mm)
<b>Weight</b>	7.3 lb (3.2 kg)

Parent topic: [Technical Specifications](#)

## Projector Electrical Specifications

<b>Rated frequency</b>	50/60 Hz
<b>Power supply</b>	100 to 240 VAC $\pm$ 10% 3.7 to 1.6 A
<b>Power consumption</b> (100 to 120 V)	Operating: 317 W (Normal Power Consumption mode), 224 W (ECO Power Consumption mode) Standby: 0.2 W (Communication Off), 7.2 W (Communication On)
<b>Power consumption</b> (200 to 240 V)	Operating: 298 W (Normal Power Consumption mode), 216 W (ECO Power Consumption mode) Standby: 0.3 W (Communication Off), 8.8 W (Communication On)

Parent topic: [Technical Specifications](#)



## Projector Environmental Specifications

<b>Temperature</b>	Operating: 41 to 95 °F (5 to 35 °C) Storage: 14 to 140 °F (-10 to 60 °C)
<b>Humidity</b> (relative, non-condensing)	Operating: 20 to 80% Storage: 10 to 90%
<b>Operating altitude</b>	Up to 4921 feet (1500 m) Up to 7500 feet (2286 m) with High Altitude Mode enabled

Parent topic: [Technical Specifications](#)

## Projector Safety and Approvals Specifications

<b>United States</b>	FCC Part 15 Class B (DoC) UL60950-1
<b>Canada</b>	ICES-003 Class B CSA C22.2 No. 60950-1

Parent topic: [Technical Specifications](#)

## Supported Video Display Formats

For best results, your computer monitor or video card resolution should be set to display in the projector's native resolution. However, your projector includes Epson's SizeWise™ chip that supports other computer display resolutions, so your image will be resized to fit automatically.

Your computer's monitor or video card refresh rate (vertical frequency) must be compatible with the projector. (See your computer or video card manual for details.)

The table below lists the compatible refresh rate and resolution for each compatible video display format.

Display format	Refresh rate (in Hz)	Resolution (in pixels)
VGA EGA*	85	640 × 350
VGA	60/72*/75*/85*	640 × 480
SVGA	56*/60/72*/75*/85*	800 × 600

Display format	Refresh rate (in Hz)	Resolution (in pixels)
XGA	60/70*/75*/85*	1024 × 768
SXGA1*	70/75/85	1152 × 864
WXGA60-1*	60	1280 × 768
WXGA60-2*	60	1360 × 768
WXGA	60/75*/85*	1280 × 800
SXGA2	60/75*/85*	1280 × 960
SXGA3	60/75*/85*	1280 × 1024
SXGA+	60/75*/85*	1400 × 1050
WXGA+*	60/75/85	1440 × 900
UXGA60	60	1600 × 1200
WSXGA+60*	60	1680 × 1050
iMAC VGA*	117	640 × 480
iMAC SVGA*	95	800 × 600
iMAC XGA*	75	1024 × 768
MAC13*	67	640 × 480
MAC16*	75	832 × 624
MAC19*	75	1024 × 768
MAC19-60*	59	1024 × 768
MAC21*	75	1152 × 870
NTSC	60	--
NTSC4.43	60	--
PAL	50	--
M-PAL	60	--
N-PAL	50	--
PAL60	60	--
SECAM	50	--

Display format	Refresh rate (in Hz)	Resolution (in pixels)
TV525i (480i)	60	--
TV625i (576i)	50	--
SDTV525p (480p)	60	--
SDTV625p (576p)	50	--
HDTV750p (720p)	50/60	--
HDTV1125i (1080i)	50/60	--
HDTV1125p (1080p)	50/60	--

\* Analog ports only

**Parent topic:** [Technical Specifications](#)

---

## Notices

Check these sections for important notices about your projector.

[Important Safety Information](#)

[Important Safety Instructions](#)

[FCC Compliance Statement](#)

[Trademarks](#)

[Copyright Notice](#)

## Important Safety Information

**Caution:** Never look into the projector lens when the lamp is turned on; the bright light can damage your eyes. Never let children look into the lens when it is on. Never open any cover on the projector, except the lamp and filter covers. Dangerous electrical voltages inside the projector can severely injure you. Except as specifically explained in this *User's Guide*, do not attempt to service this product yourself. Refer all servicing to qualified service personnel.

**WARNING:** The projector and its accessories come packaged in plastic bags. Keep plastic bags away from small children to avoid any risk of suffocation.

**Caution:** When you replace the lamp, never touch the new lamp with your bare hands; the invisible residue left by the oil on your hands may shorten the lamp life. Use a cloth or glove to handle the new lamp.

**Parent topic:** [Notices](#)

## Important Safety Instructions


Follow these safety instructions when setting up and using the projector:

- Do not look into the lens when the projector is on. The bright light can damage your eyes.
- Do not place the projector on an unstable cart, stand, or table.
- Do not operate the projector on its side, or while tilted to one side. Do not tilt the projector more than 45° forward or back.
- If the projector is mounted on a ceiling, it should be installed by qualified technicians using mounting hardware designed for use with this projector.

- When installing or adjusting a ceiling mount, do not use adhesives to prevent the screws from loosening and do not use oils or lubricants. This may cause the projector case to crack and the projector to fall from its ceiling mount. This could cause serious injury to anyone under the mount and could damage the projector.
- Do not use the projector near water or sources of heat.
- Use the type of power source indicated on the projector. Use of a different power source may result in fire or electric shock. If you are not sure of the power available, consult your dealer or power company.
- Place the projector near a wall outlet where the plug can be easily unplugged.
- Take the following precautions when handling the plug: Do not hold the plug with wet hands. Do not insert the plug into an outlet with dust present. Insert the plug firmly into the outlet. Do not pull the power cord when disconnecting the plug; always be sure to hold the plug when disconnecting it. Failure to comply with these precautions could result in fire or electric shock.
- Do not overload wall outlets, extension cords, or power strips. Do not insert the plug into a dusty outlet. This can cause fire or electric shock.
- Do not place the projector where the cord can be walked on. This may result in fraying or damage to the plug.
- Unplug the projector from the wall outlet before cleaning. Use a dry cloth (or, for stubborn dirt or stains, a moist cloth that has been wrung dry) for cleaning. Do not use liquid or aerosol cleaners.
- Do not block the slots and openings in the projector case. They provide ventilation and prevent the projector from overheating. Do not operate the projector on a sofa, rug, or other soft surface, or set it on top of loose papers, which could block vents underneath the projector. If you are setting up the projector near a wall, leave at least 7.9 inches (20 cm) of space between the wall and the air exhaust vent.
- Do not operate the projector in a closed-in cabinet unless proper ventilation is provided.
- Never push objects of any kind through the cabinet slots. Never spill liquid of any kind into the projector.
- If you are using two or more projectors side-by-side, leave at least 2 feet (60 cm) of space between the projectors to allow for proper ventilation.
- You may need to clean the air filter and vent. A clogged air filter or vent can block ventilation needed to cool the projector.
- Do not store the projector outdoors for an extended length of time.
- Except as specifically explained in this manual, do not attempt to service this product yourself. Refer all servicing to qualified personnel. Opening or removing covers may expose you to dangerous voltages and other hazards.

- Never open any covers on the projector except as specifically explained in this manual. Never attempt to disassemble or modify the projector. Refer all repairs to qualified service personnel.
- Unplug the projector from the wall outlet and refer servicing to qualified service personnel under the following conditions: If it does not operate normally when you follow the operating instructions, or exhibits a distinct change in performance; If smoke, strange odors, or strange noises come from the projector; If the power cord or plug is damaged or frayed; If liquid or foreign objects get inside the projector, or if it has been exposed to rain or water; If it has been dropped or the housing has been damaged.
- Do not touch the plug during an electrical storm. Otherwise, you may receive an electric shock.
- Unplug the projector when it will not be used for extended periods.
- Do not use the projector where it may be exposed to rain, water, or excessive humidity.
- Do not use the projector where it may be exposed to excessive dust or smoke.
- Do not use or store the projector or remote control in a hot location, such as near a heater, in direct sunlight, or in a closed vehicle.
- If you use the projector in a country other than where you purchased it, use the correct power cord for that country.
- Do not stand on the projector or place heavy objects on it.
- Do not use the projector outside of the required temperature range of 41 to 95 °F (5 to 35 °C). Doing so may cause an unstable display and could lead to projector damage.
- Do not store the projector outside of the required temperature range of 14 to 140 °F (-10 to 60 °C) or in direct sunlight for long periods of time. Doing so may cause damage to the case.
- Do not place anything that can become warped or damaged by heat near the exhaust vents. Do not bring your hands or face close to the vents while projection is in progress.
- Before you move the projector, make sure its power is turned off, the plug is disconnected from the outlet, and all cables are disconnected.
- Never try to remove the lamp immediately after use because it will be extremely hot. Before removing the lamp, turn off the power and wait at least an hour to allow the lamp to cool completely.
- Do not place the source of an open flame, such as a lit candle, on or near the projector.
- Do not modify the power cord. Do not place heavy objects on top of the power cord or bend, twist, or pull it excessively. Keep the power cord away from hot electrical appliances.
- If the lamp breaks, ventilate the room to prevent gases contained in the lamp from being inhaled or coming in contact with your eyes or mouth.

- If the projector is mounted overhead and the lamp breaks, be careful to prevent pieces of glass from falling into your eyes when you open the lamp cover.

**Note:**  The lamp(s) in this product contain mercury. Please consult your state and local regulations regarding disposal or recycling. Do not put in the trash.

**WARNING:** The cords included with this product contain chemicals, including lead, known to the State of California to cause birth defects or other reproductive harm. ***Wash hands after handling.*** (This notice is provided in accordance with Proposition 65 in Cal. Health & Safety Code § 25249.5 and following.).

Parent topic: [Notices](#)

## FCC Compliance Statement

### For United States Users

This equipment has been tested and found to comply with the limits for a Class B digital device, pursuant to Part 15 of the FCC Rules. These limits are designed to provide reasonable protection against harmful interference in a residential installation. This equipment generates, uses, and can radiate radio frequency energy and, if not installed and used in accordance with the instructions, may cause harmful interference to radio or television reception. However, there is no guarantee that interference will not occur in a particular installation. If this equipment does cause interference to radio and television reception, which can be determined by turning the equipment off and on, the user is encouraged to try to correct the interference by one or more of the following measures:

- Reorient or relocate the receiving antenna.
- Increase the separation between the equipment and receiver.
- Connect the equipment into an outlet on a circuit different from that to which the receiver is connected.
- Consult the dealer or an experienced radio/TV technician for help.

### WARNING

The connection of a non-shielded equipment interface cable to this equipment will invalidate the FCC Certification or Declaration of this device and may cause interference levels which exceed the limits established by the FCC for this equipment. It is the responsibility of the user to obtain and use a shielded equipment interface cable with this device. If this equipment has more than one interface connector, do not leave cables connected to unused interfaces. Changes or modifications not expressly approved by the manufacturer could void the user's authority to operate the equipment.

### **For Canadian Users**

This Class B digital apparatus meets all requirements of the Canadian Interference-Causing Equipment Regulations.

*Cet appareil numérique de la classe B respecte toutes les exigences du Règlement sur le matériel brouilleur du Canada.*

**Parent topic:** [Notices](#)

## **Trademarks**

Epson and Instant Off are registered trademarks, and Epson Exceed Your Vision is a registered logomark of Seiko Epson Corporation.

PrivateLine and Accolade are registered trademarks; SizeWise and Duet are trademarks; and Epson Store and Extra Care are service marks of Epson America, Inc.

Pixelworks, DNX, and the DNX logo are trademarks of Pixelworks, Inc.

General Notice: Other product names used herein are for identification purposes only and may be trademarks of their respective owners. Epson disclaims any and all rights in those marks.

This information is subject to change without notice.



**Parent topic:** [Notices](#)

## **Copyright Notice**

All rights reserved. No part of this publication may be reproduced, stored in a retrieval system, or transmitted in any form or by any means, electronic, mechanical, photocopying, recording, or otherwise, without the prior written permission of Seiko Epson Corporation. The information contained herein is designed only for use with this Epson product. Epson is not responsible for any use of this information as applied to other products.

Neither Seiko Epson Corporation nor its affiliates shall be liable to the purchaser of this product or third parties for damages, losses, costs, or expenses incurred by purchaser or third parties as a result of: accident, misuse, or abuse of this product or unauthorized modifications, repairs, or alterations to this product, or (excluding the U.S.) failure to strictly comply with Seiko Epson Corporation's operating and maintenance instructions.



Seiko Epson Corporation shall not be liable for any damages or problems arising from the use of any options or any consumable products other than those designated as Original Epson Products or Epson Approved Products by Seiko Epson Corporation.

[Copyright Attribution](#)

**Parent topic:** [Notices](#)

## **Copyright Attribution**

© 2010 Epson America, Inc.

4/10

CPD-28023