

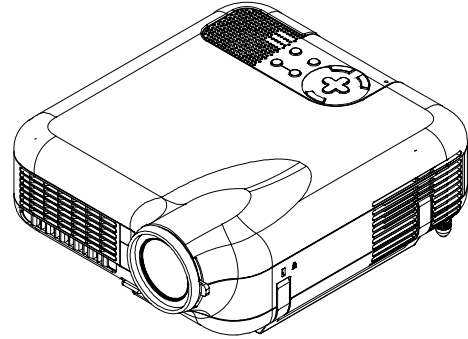
LT260 Installation Data

Desktop and Ceiling Mount

v 2.5

Contents

Product Description, Lens Specs, Notes and Formulas _____	Page 1
Projection Distances and Screen Sizes	
Ceiling Mount Installation _____	Page 2
Desktop Setup _____	Page 3
Cabinet Dimensions	
Top, Front and Right Side _____	Page 4
Bottom, Back and Left Side _____	Page 5
Ceiling Mount Dimensions _____	Page 6
Control Codes _____	Page 7



Product Description

Type:	Single chip DMD™ projector	Dimensions:	10.24"(W) x 4.74"(H) x 11.81"(D)
Native Resolution:	1024 x 768 (XGA)	Weight:	6.5 lbs
Brightness:	2100 ANSI Lumens		

Lens Specifications

Throw Ratio:	2.0 - 2.4:1 (approx.)	Focal Length:	28.4mm – 34.0mm
Offset Angle:	12.3° - 14.9° (approx.)	F/#:	2.2 – 2.5
Screen Sizes:	30"-500"	Manual Focus/Manual Zoom	

Notes

- For screen sizes not indicated on the projection tables, use the formulas below.
- If the figures on the tables do not match the results of formulas, use the figures in the table.
- The ceiling must be strong enough to support the projector and the installation must be in accordance with any local building codes.
- All calculations are based on 4:3 aspect ratio.
- Distances are in inches, for millimeters multiply by 25.4.
- Distances may vary ±5%.

Formulas

Units: Inches (for millimeters multiply final number by 25.4)

Definitions:

H = Horizontal Screen Width (4:3)
V = Vertical Screen Height (4:3)
B = Vertical distance between lens center and screen center
C = Throw distance
D = Vertical distance between lens center and screen top (screen bottom for desktop application)
 α = Throw Angle

Projection Formulas:

B = 0.5265H – 0.013
C (wide) = 2.0062H – 1.764
C (tele) = 2.4281H – 1.260
D = 0.1515H - 0.013
 α (wide) = \tan^{-1} (B/C(wide))
 α (tele) = \tan^{-1} (B/C(tele))

Screen Formulas (4:3):

H = Screen Diagonal x 4/5
V = Screen Diagonal x 3/5
Screen Diagonal = H x 5/4

LT260 Installation Data

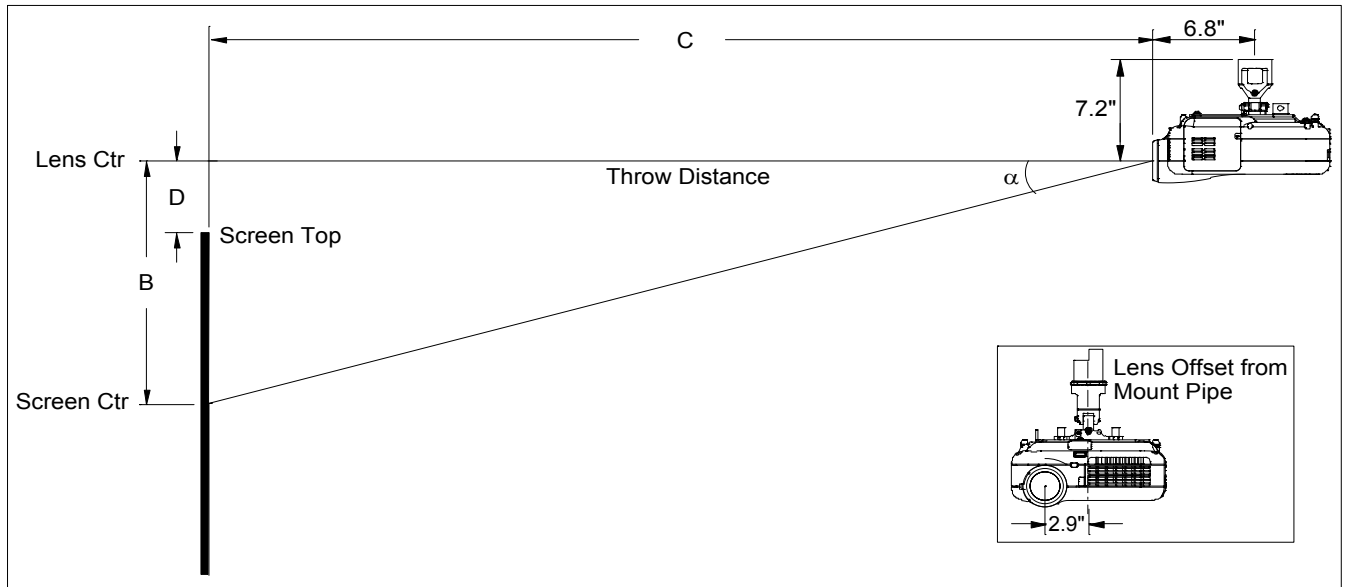
Desktop and Ceiling Mount

v 2.5

Projection Distance and Screen Size for Ceiling Mount

The following shows the proper relative position of the projector and screen. Refer to the table for installation data. Distances are in inches. For millimeters multiply by 25.4.

Ceiling Mount Installation



Distance Chart

Screen Size (4:3)			B	C	D	α
Diagonal	Width(H)	Height(V)				
inches	inches	inches	inches	wide - tele inches	inches	wide - tele degrees
30	24	18	12.6	46.4 - 57.0	3.6	15.2 - 12.5
40	32	24	16.8	62.4 - 76.4	4.8	15.1 - 12.4
60	48	36	25.3	94.5 - 115.3	7.3	15.0 - 12.4
67	53.6	40.2	28.2	105.8 - 128.9	8.1	14.9 - 12.3
72	57.6	43.2	30.3	113.8 - 138.6	8.7	14.9 - 12.3
84	67.2	50.4	35.4	133.1 - 161.9	10.2	14.9 - 12.3
90	72	54	37.9	142.7 - 173.6	10.9	14.9 - 12.3
100	80	60	42.1	158.7 - 193.0	12.1	14.9 - 12.3
120	96	72	50.5	190.8 - 231.8	14.5	14.8 - 12.3
150	120	90	63.2	239.0 - 290.1	18.2	14.8 - 12.3
180	144	108	75.8	287.1 - 348.4	21.8	14.8 - 12.3
210	168	126	88.4	335.3 406.7	25.4	14.8 12.3
240	192	144	101.1	383.4 464.9	29.1	14.8 12.3
270	216	162	113.7	431.6 523.2	32.7	14.8 12.3
300	240	180	126.3	479.7 581.5	36.3	14.8 12.3
350	280	210	147.4	560.0 678.6	42.4	14.7 12.3
400	320	240	168.5	640.2 775.7	48.5	14.7 12.3
450	360	270	189.5	720.5 872.9	54.5	14.7 12.3
500	400	300	210.6	800.7 - 970.0	60.6	14.7 - 12.2

Note: For screen sizes not indicated on the projection tables, use the formulas on page 1.

LT260 Installation Data

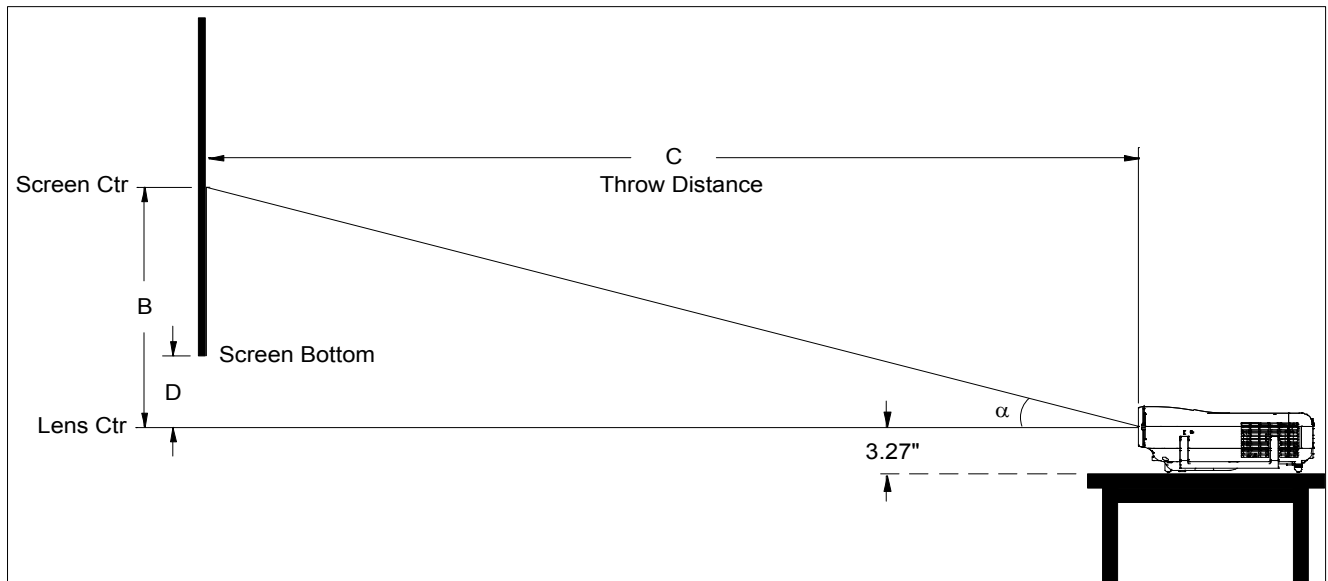
Desktop and Ceiling Mount

v 2.5

Projection Distance and Screen Size for Desktop

The following diagram shows the relationship between projector position and the screen. Distances are in inches. For millimeters multiply by 25.4.

Desktop Setup



Distance Chart

Screen Size (4:3)			B	C	D	α
Diagonal	Width(H)	Height(V)				
inches	inches	inches	inches	wide - tele inches	inches	wide - tele degrees
30	24	18	12.6	46.4 - 57.0	3.6	15.2 - 12.5
40	32	24	16.8	62.4 - 76.4	4.8	15.1 - 12.4
60	48	36	25.3	94.5 - 115.3	7.3	15.0 - 12.4
67	53.6	40.2	28.2	105.8 - 128.9	8.1	14.9 - 12.3
72	57.6	43.2	30.3	113.8 - 138.6	8.7	14.9 - 12.3
84	67.2	50.4	35.4	133.1 - 161.9	10.2	14.9 - 12.3
90	72	54	37.9	142.7 - 173.6	10.9	14.9 - 12.3
100	80	60	42.1	158.7 - 193.0	12.1	14.9 - 12.3
120	96	72	50.5	190.8 - 231.8	14.5	14.8 - 12.3
150	120	90	63.2	239.0 - 290.1	18.2	14.8 - 12.3
180	144	108	75.8	287.1 - 348.4	21.8	14.8 - 12.3
210	168	126	88.4	335.3 406.7	25.4	14.8 12.3
240	192	144	101.1	383.4 464.9	29.1	14.8 12.3
270	216	162	113.7	431.6 523.2	32.7	14.8 12.3
300	240	180	126.3	479.7 581.5	36.3	14.8 12.3
350	280	210	147.4	560.0 678.6	42.4	14.7 12.3
400	320	240	168.5	640.2 775.7	48.5	14.7 12.3
450	360	270	189.5	720.5 872.9	54.5	14.7 12.3
500	400	300	210.6	800.7 - 970.0	60.6	14.7 - 12.2

Note: For screen sizes not indicated on the projection tables, use the formulas on page 1.

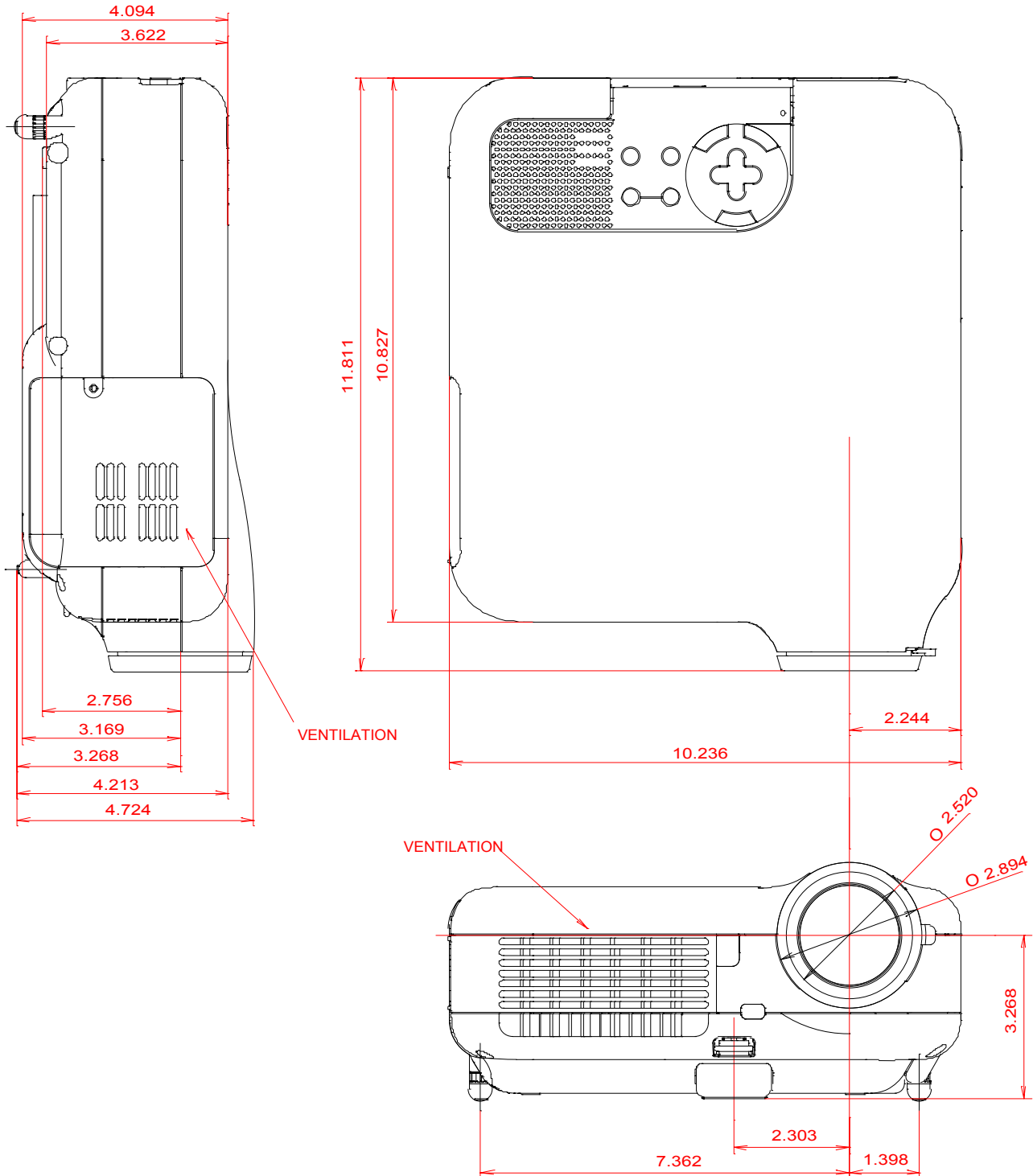
LT260 Installation Data

Desktop and Ceiling Mount

v 2.5

Cabinet Dimensions

The following diagrams show the cabinet dimensions for the LT260. Dimensions are in inches. For millimeters multiply by 25.4.



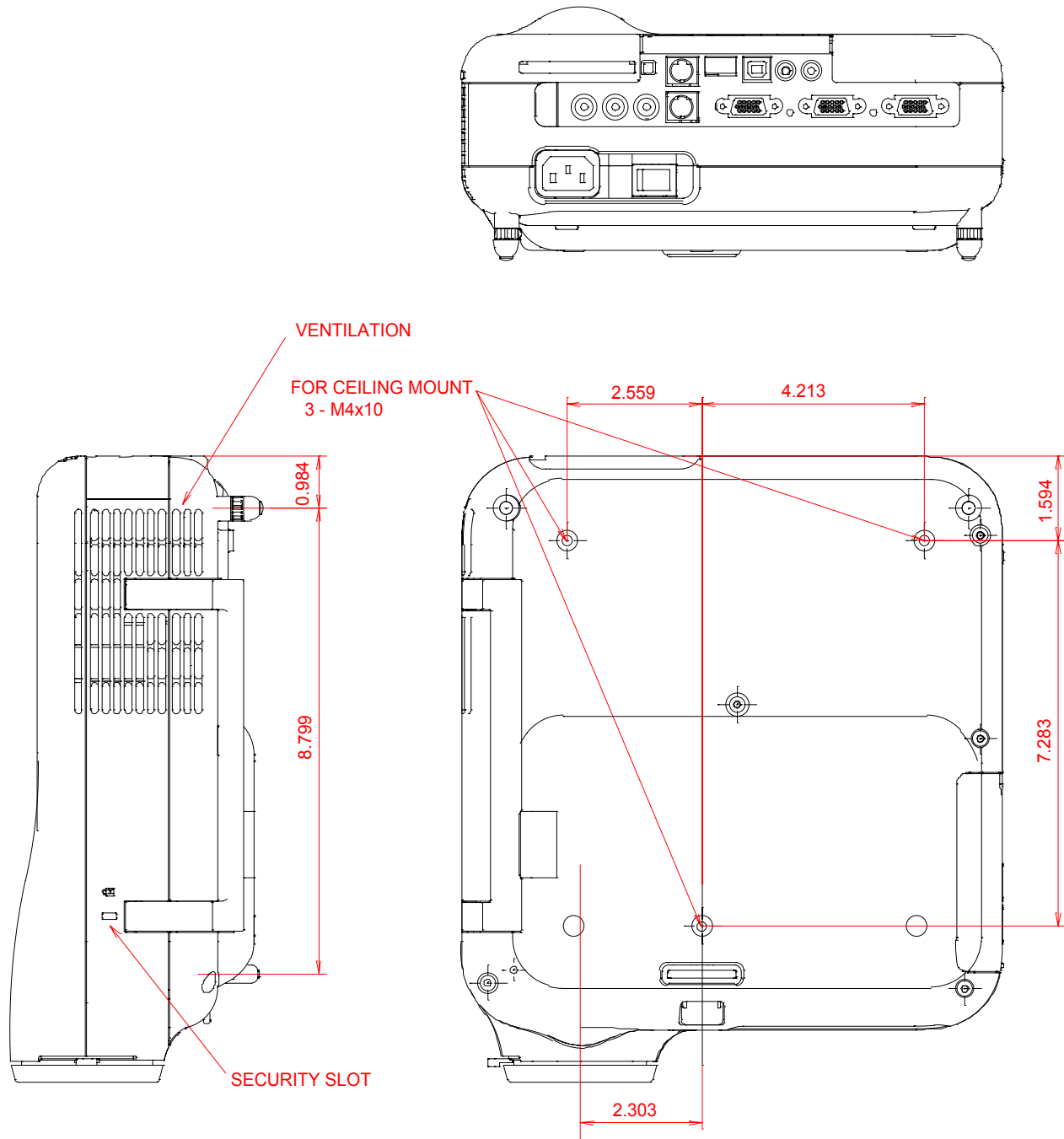
LT260 Installation Data

Desktop and Ceiling Mount

v 2.5

Cabinet Dimensions (continued)

The following diagrams show the cabinet dimensions for the LT260. Dimensions are in inches. For millimeters multiply by 25.4.



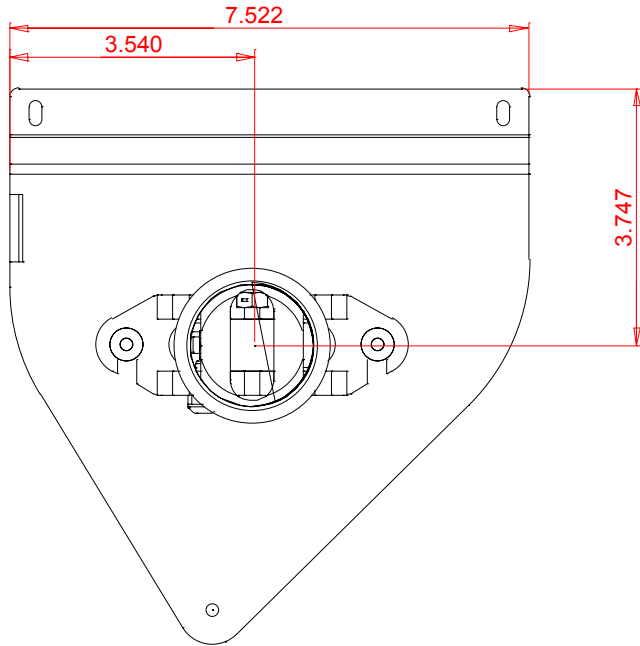
LT260 Installation Data

Desktop and Ceiling Mount

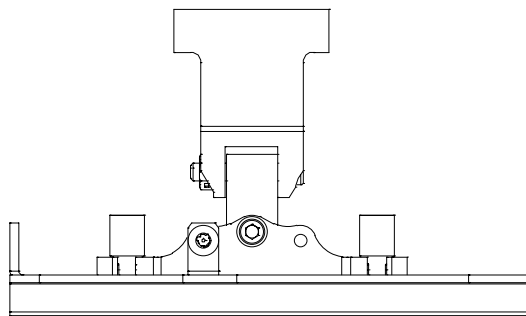
v 2.5

Optional Ceiling Mount Dimensions (Model #: LT60CM)

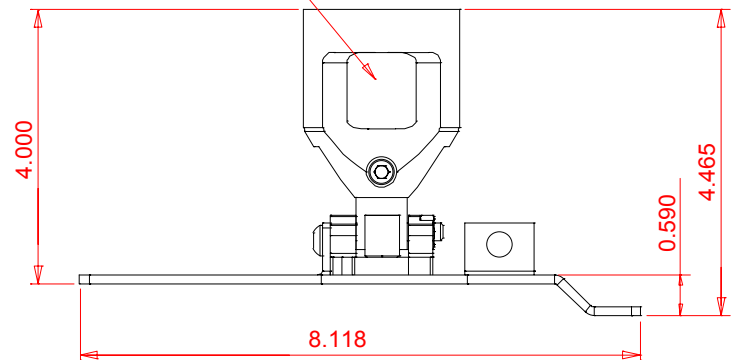
The following diagrams show ceiling mount dimensions for the LT260. Dimensions are in inches. For millimeters multiply by 25.4.



1.5" threaded pipe and hardware
recommended by Display Devices
@ 303-412-0399



Cable Management



LT260 Installation Data

Desktop and Ceiling Mount

v 2.5

Control Codes

Function	Code Data								
POWER ON	02H	00H	00H	00H	00H	02H			
POWER OFF	02H	01H	00H	00H	00H	03H			
INPUT SELECT RGB 1	02H	03H	00H	00H	02H	01H	01H	09H	
INPUT SELECT RGB 2	02H	03H	00H	00H	02H	01H	02H	0AH	
INPUT SELECT VIDEO	02H	03H	00H	00H	02H	01H	06H	0EH	
INPUT SELECT S-VIDEO	02H	03H	00H	00H	02H	01H	0BH	13H	
INPUT SELECT VIEWER	02H	03H	00H	00H	02H	01H	1FH	27H	
PICTURE MUTE ON	02H	10H	00H	00H	00H	12H			
PICTURE MUTE OFF	02H	11H	00H	00H	00H	13H			
SOUND MUTE ON	02H	12H	00H	00H	00H	14H			
SOUND MUTE OFF	02H	13H	00H	00H	00H	15H			
ON SCREEN MUTE ON	02H	14H	00H	00H	00H	16H			
ON SCREEN MUTE OFF	02H	15H	00H	00H	00H	17H			

Cable Connection

Communication Protocol:

Baud Rate: 38400 bps

Data Length: 8 bits

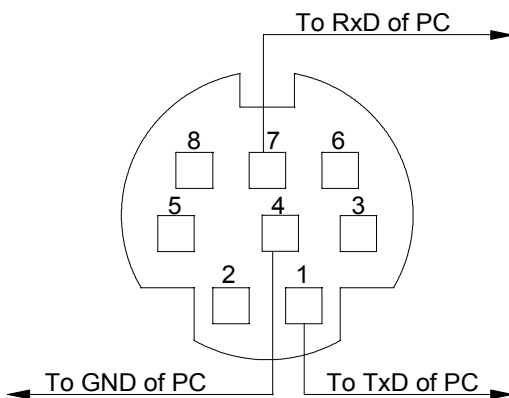
Parity: No Parity

Stop Bit: One bit

X on/off: None

Communications: Full duplex

PC Control Connector (DIN-8P)



NOTE 1: Pins 2, 3, 5, 6 and 8 are used inside the projector.

NOTE 2: For long cable runs it is recommended to set communication speed within projector menus to 9600 bps.