

JVC[®]

PROFESSIONAL

D-ILA[®] PROJECTOR
DLA-G150CL

D65

CineLine



600:1
CONTRAST RATIO

HDTV



When you're ready for the best in home theater, you're ready for JVC's DLA-G150CL Projector — four optional lenses and film-quality image reproduction make this the ultimate dream machine for home theater aficionados.



When you want to build the ultimate home theater, you need the ultimate home theater projector. The DLA-G150CL from JVC. Designed especially for home theater applications, this projector delivers brilliant big-screen images with the textured detail of film, natural color reproduction and the super contrast you need for enhanced depth and dimensionality. Featuring JVC's original D-ILA® device for true SXGA resolution, the DLA-G150CL boasts professional-standard gray scale reproduction, super contrast of 600:1, and comes with a full set of connectors that allow you to view everything from regular TV programs to computer displays, DVDs, and even digital TV broadcasts. Best of all, you won't have to change your home to suit this projector — four optional lenses are available so you can install the DLA-G150CL exactly the way you want it.

Outstanding film-like picture reproduction

JVC's original D-ILA® technology for unsurpassed image quality

JVC's D-ILA® (direct Drive Image Light Amplifier) technology features a high-density, reflective liquid crystal structure that provides you with today's optimal combination of brightness, resolution, contrast and color for the big screen. Thanks to a 93% aperture ratio, it also provides the highest native resolution with the least visible pixels, making images as smooth and natural as film.



High-resolution, film-like images

The DLA-G150CL incorporates three high-density 1.4 M-pixel (1,365 x 1,024 pixels) image reproduction devices that make it possible to project high-resolution images with a total of 4.2 M pixels. The result is stunning, silky smooth images comparable to 35-mm film. Even the super-sharp clarity of an SXGA (1,280 x 1,024 pixels) image can be reproduced faithfully on the big screen with none of the scaling or loss of quality typically associated with projection of high-resolution computer graphics and CAD/CAM images. With video resolution of 1000 TV lines, small text, characters, icons and cursors are clearly legible even at the corners of the projected image. Moreover the DLA-G150CL has input capability up to 105 kHz, making it compatible with resolution as high as UXGA (1,600 x 1,200 pixels). Further, D-ILA® 1,365 x 1,024 resolution with 4:3 aspect ratio provides superior performance without sacrificing resolution when viewing either 16:9 or native 4:3 sources.

SXGA

Superb 600:1 contrast ratio

A super contrast ratio of 600:1 ensures that images are sharp and crisp with enhanced depth and superior clarity.



Professional-standard gray scale reproduction for home use



With gray scale color tracking set to "D65" standard, source media can be faithfully reproduced with the same color gradations intended by the creator of the program. All color gradations are natural and consistent, including absolute black and absolute white so you'll enjoy superb, visually accurate reproduction of video, television, and DVD images. Even in dark scenes, subtle gradation differences can be clearly distinguished.

Comparison of gradation characteristics



Comparison of color reproduction



De-interlacer for more natural-looking images

A built-in de-interlacer cleans up interlaced TV artifacts to improve perceived vertical resolution of TV signals and make them appear smoother, eliminating annoying raster lines.

420 W Xenon lamp for natural color reproduction

As used in movie theaters, the Xenon lamp produces a more natural, color-stable light, enabling vivid, true-to-life color reproduction.

High brightness of 1000 ANSI lumens

With high brightness of 1000 ANSI lumens, a brighter, clearer picture can be obtained even in brighter rooms or on larger screens.

Four optional lenses for flexible applications

With easy replacement of the lenses and power focus capability, this projector is versatile enough for a wide range of applications, ensuring high-resolution SXGA picture reproduction with minimized ghosting and flare under any conditions.

GL-M2910G

short-focus fixed lens for rear projection

(1:1, 0% on axis)



GL-M2915SG

short-focus fixed lens

(1.5:1, 30% — 55% manual shift)



GL-M2920ZG

standard zoom lens

(2:1 — 3:1, 50% off axis)



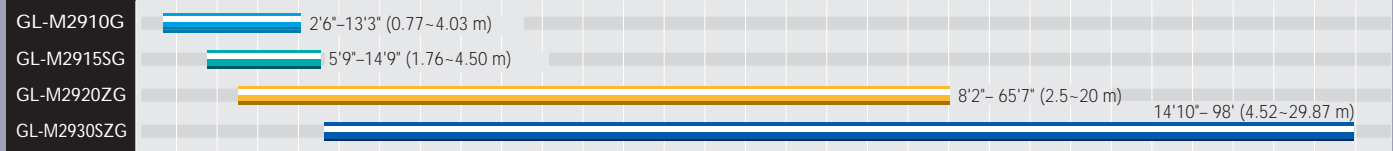
GL-M2930SZG

long-throw zoom lens

(2.9:1 — 5.5:1, 30% — 55% manual shift)



Throw Distance range for each lens



Recommended Throw Distance vs. Screen Size

Screen Size	Throw Distance					
	GL-M2910G fixed (1:1)	GL-M2915SG fixed (1.5:1)	GL-M2920ZG zoom (2:1 - 3:1)		GL-M2930SZG zoom (2.9:1 - 5.5:1)	
Width			Wide	Tele	Wide	Tele
32" (0.81 m)	2'6" (0.77 m)	–	–	–	–	14'10" (4.52 m)
48" (1.22 m)	3'10" (1.17 m)	5'9" (1.76 m)	–	11'8" (3.55 m)	–	22'1" (6.72 m)
57" (1.45 m)	4'7" (1.40 m)	6'11" (2.10 m)	9'3" (2.81 m)	13'9" (4.20 m)	–	26'1" (7.96 m)
67" (1.70 m)	5'5" (1.66 m)	8'2" (2.48 m)	10'10" (3.29 m)	16'2" (4.92 m)	16'3" (4.96 m)	30'8" (9.34 m)
72" (1.83 m)	5'10" (1.79 m)	8'9" (2.67 m)	11'7" (3.53 m)	17'4" (5.28 m)	17'5" (5.32 m)	32'11" (10.03 m)
80" (2.03 m)	6'6" (1.99 m)	9'9" (2.98 m)	12'10" (3.91 m)	19'3" (5.86 m)	19'4" (5.90 m)	36'6" (11.13 m)
96" (2.44 m)	7'10" (2.40 m)	11'9" (3.59 m)	15'4" (4.67 m)	23" (7.01 m)	23'2" (7.06 m)	43'9" (13.34 m)
120" (3.05 m)	9'11" (3.01 m)	14'9" (4.50 m)	19'1" (5.82 m)	28'8" (8.74 m)	28'10" (8.80 m)	54'7" (16.64 m)
144" (3.66 m)	11'11" (3.62 m)	–	22'10" (6.96 m)	34'5" (10.48 m)	34'7" (10.54 m)	65'5" (19.95 m)
14" (4.27 m)	–	–	26'7" (8.11 m)	40'1" (12.21 m)	40'3" (12.28 m)	76'4" (23.26 m)
16" (4.88 m)	–	–	30'4" (9.25 m)	45'9" (13.94 m)	46" (14.01 m)	87'2" (26.56 m)
20" (6.10 m)	–	–	37'10" (11.54 m)	57'1" (17.40 m)	57'6" (17.49 m)	–

Versatile, user-friendly design

Installation flexibility

With a zoom lens, digital keystone correction and both front and rear projection capability, this projector offers a variety of installation configurations and can be mounted on a ceiling or placed on a table-top.

Switchable 16:9 and 4:3 aspect ratio

Screen aspect ratio can be switched between 16:9 and 4:3 with one-touch operation.

DVI-D connector (24-pin)

This connector allows digital-to-digital input and ensures high-quality image reproduction without degradation.

Direct connection to various sources

Can be connected directly to various source devices including a personal computer, DVD, VCR and HDTV equipment.

RS-232C input/output

Various audio/video systems can be connected in series to this connector, making it easier to configure complex, multi-device systems.

Lamp Power Control mode

Lamps last twice the normal lamp life when you use the Lamp Power Control mode. When you first start using the lamp, its power output is set to about 70%. As the lamp's brightness decreases over time, the power output is gradually raised. This ensures a consistently bright picture and extends the lamp's service life.

7-step light output control

Seven different brightness levels are available, ranging from about 70% to 100% of the lamp power output. This function is especially useful with a multi-screen system, enabling you to independently adjust the brightness of each screen to produce uniform brightness across the entire multi-part screen.

Low-noise design

Fan noise is reduced, providing a quieter, more enjoyable environment for watching movies and other programs.

"Class B" classification approved for home use

Easy-to-use wireless remote control



Digital TV input capability

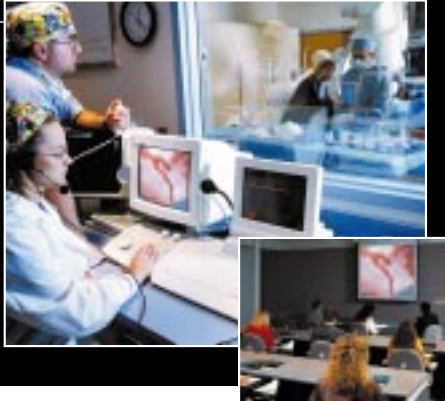
To ensure compatibility with DTV signals, the DLA-G150CL is designed to accept analog signals in the 480i, 480p, 720p and 1080i formats. Moreover, as this projector can accept 1080/24PsF format signals, it is ideal for large-screen video and HDTV post-production applications.

Various applications

The DLA-G150CL's advanced features make it more than just the very finest home theater projector we've ever made. It's also ideal for a wide range of other applications.

Medical field

High-resolution images with truly natural and accurate colors make the DLA-G150CL an excellent projector for use in medical schools and hospitals where detail, accuracy, and realistic representation are essential to student understanding.



Post-production

With 1080/24PsF signal input and accurate color reproduction capability, you'll be able to check and adjust colors on-screen during the post-production process.



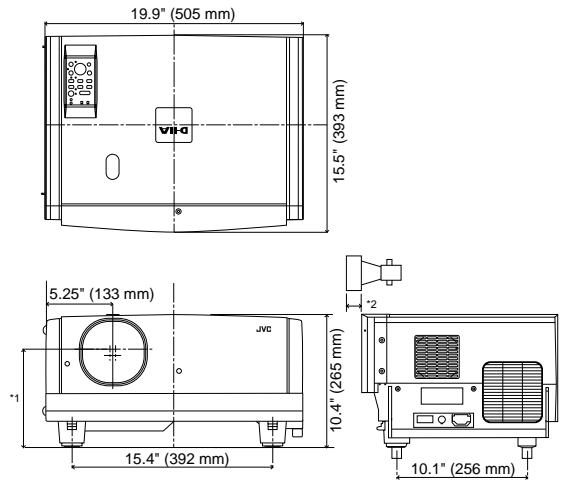
Major Specifications

Image Device	3-panel D-ILA® (0.9 inch diagonal)
Projection Lens (optional)	
GL-M2920ZG	2:1 - 3:1 zoom, 50% offset
GL-M2930SZG	2.9:1 - 5.5:1 zoom, 30% - 55%, manual shift
GL-M2915SG	1.5:1 fixed, 30% - 55%, manual shift
GL-M2910G	1:1 fixed, 0% on axis
Brightness	1000 ANSI lumens
Native Resolution	1.4 M pixels (1,365 x 1,024 pixels)
Sources	
Computer	VGA, SVGA, XGA, SXGA, UXGA, MAC, SUN, SGI, etc.
Video	PAL, SECAM, NTSC/NTSC 4.43
DTV (Digital TV)	480i, 480p, 720p, 1080i, 1080i/24PsF
Uniformity	More than 85%
Scan Frequency	
Horizontal	15 kHz - 105 kHz
Vertical	50 Hz - 100 Hz
Contrast Ratio	600:1
Color Reproduction	16.7 million colors
Data Clock:	160 MHz
Screen Size (width)	
2:1 - 3:1 zoom	
Wide	4.66 ft - 34.74 ft (1.42 m - 10.59 m)
Tele	2.79 ft - 22.99 ft (0.85 m - 7.01 m)
2.9:1 - 5.5:1 zoom	
Wide	5.35 ft - 22.64 ft (1.63 m - 6.90 m)
Tele	2.66 ft - 18.01 ft (0.81 m - 5.49 m)
1.5:1	4.00 ft - 10.00 ft (1.22 m - 3.05 m)
1:1	2.66 ft - 13.32 ft (0.81 m - 4.06 m)
Throw Distance	
2:1 - 3:1 zoom	8'2" - 65'7" (2.5 m - 20 m)
2.9:1 - 5.5:1 zoom	14'10" - 98' (4.52 m - 29.87 m)
1.5:1	5'9" - 14'9" (1.76 m - 4.50 m)
1:1	2'6" - 13'3" (0.77 m - 4.03 m)
Lamp	420 watts, Xenon
Connectors	
1 Digital RGB (DVI-D)	
1 RGBHV (BNC)	Computer and DTV
1 Component (Y, Pr, Pb)	Video and DTV
1 RGB (D-sub 15-pin VGA) (IN/OUT)	(1 RGBHV and 1 Component inputs use a common connector.)
1 Composite	Computer
1 S-Video	
1 RS-232C (IN/OUT)	
Input Power	100 - 120 V AC, 50/60 Hz
Power Consumption	620 W
Dimensions (W x H x D)	19.9" x 10.4" x 15.5" (505 x 265 x 393 mm)
Weight	32.12 lbs. (14.6 kg) (without lens)
Provided Accessories	AC cable, Wireless (infrared) remote control, PC connection cable (D-sub 15-pin male-D-sub 15-pin male), Adapter for Macintosh, AV cable, BNC-RCA adapter, Lens cap, Operation manual, Battery for remote control unit x 2

Connectors



Dimensions



*1 8.0" (202 mm): GL-M2915SG, GL-M2920ZG, GL-M2930SZG
7.8" (197 mm): GL-M2910G
*2 2.6" (65 mm): GL-M2910G
1.3" (34 mm): GL-M2930SZG
1.3" (32 mm): GL-M2915SG
-0.2" (-6 mm): GL-M2920ZG

Design and specifications subject to change without notice.



DISTRIBUTED BY

JVC PROFESSIONAL PRODUCTS COMPANY
DIVISION OF JVC AMERICAS CORP.
1700 Valley Road, Wayne, N.J. 07470
TEL: 973-317-5000, 1-800-526-5308 FAX: 975-317-5030
<http://www.jvc.com/pro>

JVC CANADA INC.
21 Finchdene Square, Scarborough Ontario M1X 1A7
TEL: 416-293-1311 FAX: 416-293-8208
<http://www.jvcpro.com>

D-ILA is a registered trademark of Victor Company of Japan, Limited.
MAC is a trademark of Apple Computer, Inc.
SUN is a trademark of Sun Microsystems, Inc.
SGI is a trademark of Silicon Graphics, Inc.

Copyright © 2001, Victor Company of Japan, Limited (JVC).
All Rights Reserved.

