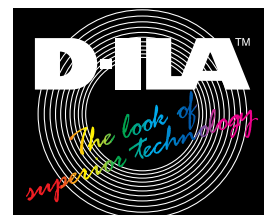


JVC[®]
PROFESSIONAL

D-ILA™ PROJECTOR
DLA-G11

SXYZGAA



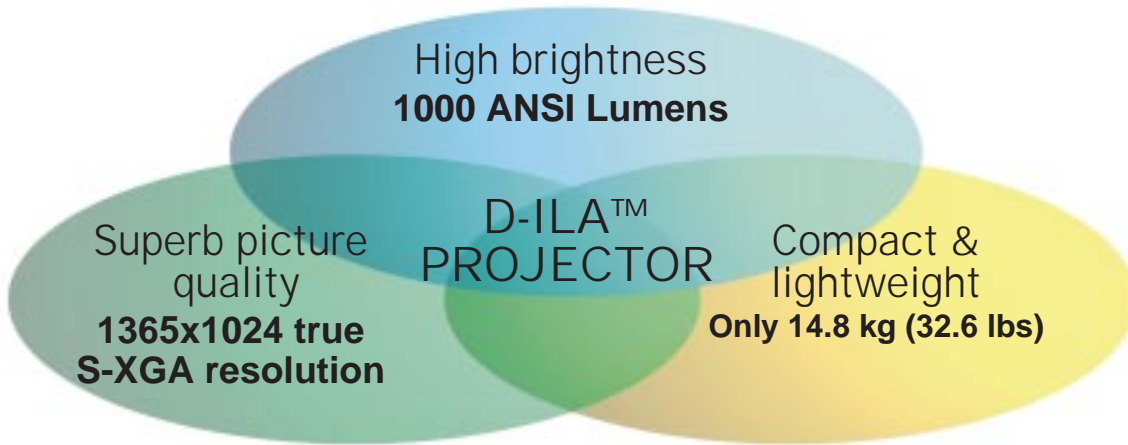
A new digital projector that projects "true" S-XGA images with breakthrough D-ILA™ technology

Large-size projection images with all the sharpness and clarity of a small-screen image — that's what you'll get with the new D-ILA™ projector. Drawing on the advanced technology that made possible the unique ILA® (Image Light Amplifier) device, the new D-ILA™ (Direct Drive ILA) offers the most desirable combination of superb picture quality, operational ease, and affordability.

Featuring true S-XGA capability, the new D-ILA™ projector gives you the power to project the high-resolution graphics and CAD images created by today's advanced workstations directly onto a large projection screen with no loss of quality whatsoever.

This versatile projector is also equipped to show moving images from advanced AV equipment, and reproduce them on an extra-large screen with all the sharpness and clarity of the originals. Images projected on the screen with the D-ILA™ projector now rival the intensity and brilliance of those seen in a movie theater.

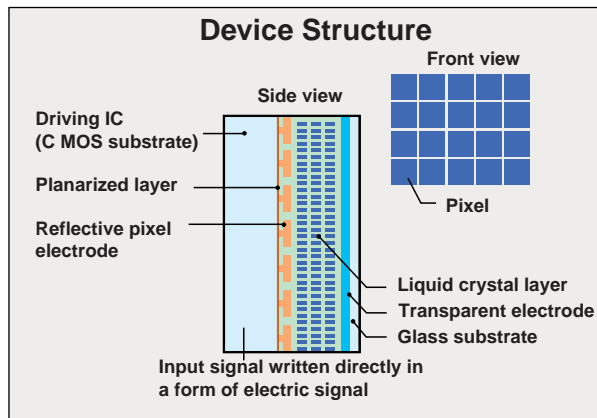
Combining the outstanding image reproduction of an ILA® projector and the user-friendliness of a lightweight projector, the new D-ILA™ projector takes projection images far beyond the limitations of conventional LCD and CRT projectors.



Projector Device Innovation — Direct-Drive ILA (D-ILA™)

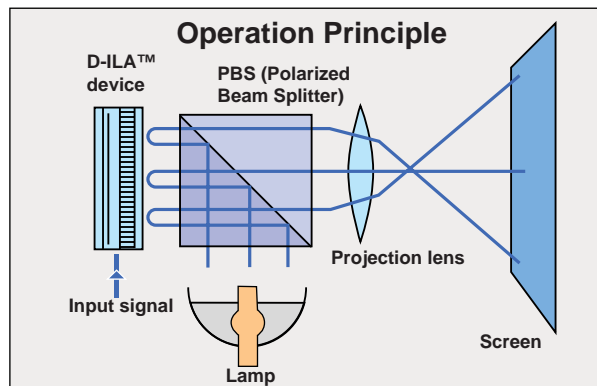
D-ILA™ Structure

The D-ILA™ device is a reflective type of LCD which delivers a higher aperture ratio (more than 93%) than a transmissive LCD panel, and is comprised of groups of pixels which correspond to each image dot. Also unlike conventional transmissive LCD panels (in which the driving transistor is mounted on the same surface as the pixels), the D-ILA™'s driving IC substrate is located behind the liquid crystal layer. As a result, the D-ILA™ device can achieve higher brightness and higher resolution at the same time. In addition, thanks to the vertical alignment ("homeotropic" structure) of the liquid crystal layer, projected images also have much higher contrast.



D-ILA™ Operation

The light from the xenon lamp travels through a polarized beam splitter (PBS), which is reflected off the D-ILA™ device, then passed through the projection lens and onto the screen.



An Ideal Combination of Superb Picture Quality and User-Friendliness with Easy Setup

D-ILA™ device for next-generation image reproduction

Based on the ILA® (Image Light Amplifier) device developed by Hughes-JVC Technology Corporation, the new D-ILA™ (Direct Drive ILA) device provides high-resolution picture quality for the big screen. Utilizing a high-density reflective LCD with a homeotropic structure in which the LCD elements are aligned vertically, the D-ILA™ device produces extra-bright, high-resolution, high-contrast images.



D-ILA projector image (simulated)



Conventional projector image (simulated)



Workstation-Quality Resolution & Brightness

Featuring the same superb image reproduction capability provided by an ILA® device, the D-ILA™ projector can project extra-high resolution images of up to 1,365 x 1,024 pixels. That means it can easily handle even the super-sharp clarity of an S-XGA (1,280 x 1,024 dots) image without scaling or loss of quality.

Adaptive DPC Circuitry

The Adaptive DPC (Digital Pixel Conversion) technology optimizes picture quality no matter what the input signal resolution to assure smooth, clear images. Variable scanning frequency capability with horizontal scanning frequencies ranging from 15 kHz to 82 kHz assures compatibility with a wide range of source signals.

Digital Gamma Correction

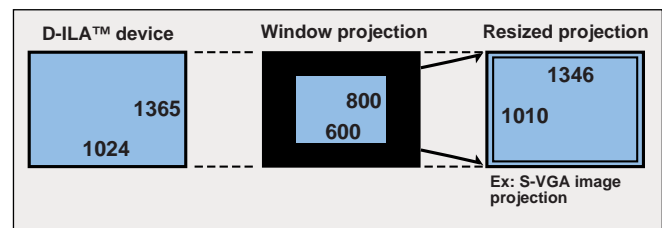
Newly developed 10-bit Digital Gamma Correction circuitry is incorporated to facilitate more accurate gray scale and color reproduction. Even the intricately colored images created by graphics workstations can be clearly reproduced and displayed on the screen.

Resizing Function

The combination of the high-definition D-ILA™ device with our innovative Adaptive DPC (Digital Pixel Conversion) circuitry enables the D-ILA™ projector to project “expanded” XGA images (1,024 x 768 pixels), S-VGA images (800 x 600 pixels), and VGA images (640 x 480 pixels), as well as the fully dot-to-dot coincident S-XGA images (1,280 x 1,024 pixels). Optimum pixel conversion is performed by the incorporated Adaptive DPC circuitry according to the characteristics of the projection source signals. The result is amazingly natural picture reproduction.

To project image data that has a different number of pixels from that of the built-in device, you can use either the “Window projection” or “Resizing projection” method.

- **Resizing projection:** Adaptive DPC circuit expands the original data to a full-screen image.
- **Window projection:** If the source signal has lower resolution than the D-ILA™ device, the projected image appears at the same resolution as the input source, with a black frame around it.



D-ILA™ PROJECTOR

User-Replaceable Xenon Lamp

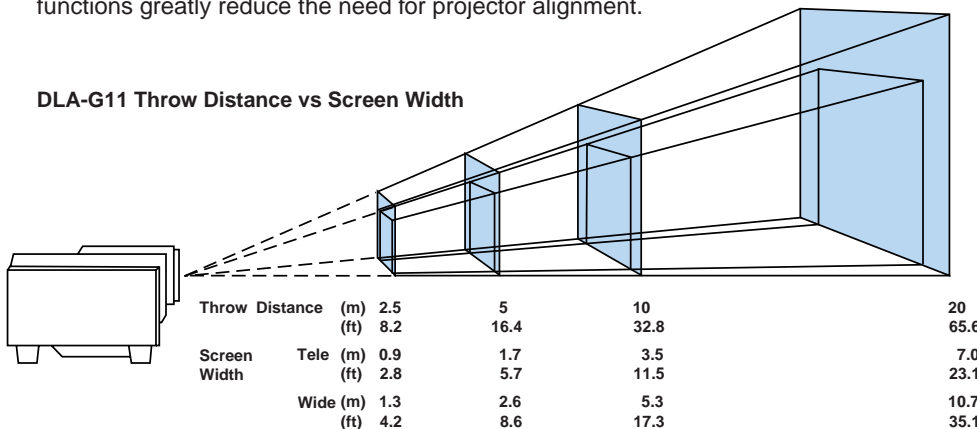
This xenon lamp assures superb color reproduction and clarity — equivalent to that seen in movie theaters. With extra-high brightness of 1,000 ANSI Lumens, projected images can be even viewed comfortably under fluorescent light.



Quick & Easy Setup

The D-ILA™ projector's quick-start design makes it possible to start operation within 2 minutes of switching on the power. Single lens construction eliminates the need to adjust the various registrations, while the power zoom and power focus functions greatly reduce the need for projector alignment.

DLA-G11 Throw Distance vs Screen Width



Full signal input capability

As a projector designed for multimedia applications, the D-ILA™ projector is equipped with a full array of input connectors, allowing virtually any type of image signal to be displayed. Component inputs let you connect advanced AV equipment, while the two provided PC inputs enable you to switch between source signals from two different computers. Future-ready DTV (Digital TV) capability is also provided and a variety of high-definition digital broadcast signal formats can be accommodated including 480i, 480p, 720p and 1080i.



User Friendly Design

Designed with easy handling in mind, the compact, lightweight projector can even be carried with one hand. Remote-control capability and a comprehensive on-screen display make this projector very easy to operate. An RS-232C serial communication port is also provided so the projector can be controlled directly from a computer.



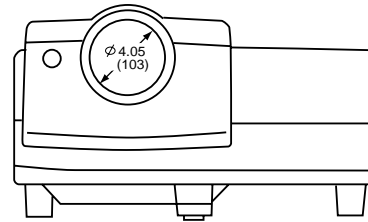
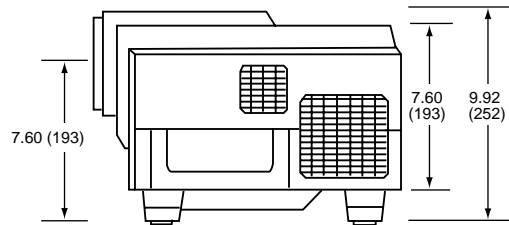
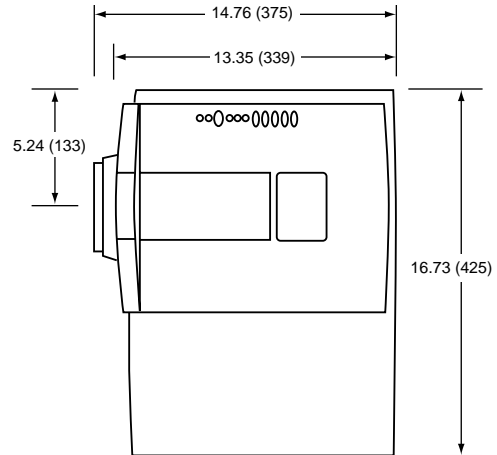
Other features include

- On-screen menu (6-language selectable)
- Auto-alignment function for automatic adjustment of tracking, phase and position
- Up-down/left-right inversion
- Selectable color temperature (High/Mid/Low)
- Selectable background color (when no signal is input)
- 1000 hours of lamp life
- Lamp life "warning" indicator
- Lamp "sleep" function
 - in the absence of any signal for a preset time (10 min., 20 min., 30 min. or 60 min. selectable), the lamp is automatically shut off for safety and power saving

SPECIFICATIONS

Image Device	3 D-ILA™ (0.9 inches diagonal) direct drive liquid crystal light valves
Projection Lens	2 : 1 – 3 : 1 (Throw distance : Screen width) 1.5X Power Zoom, Power Focus 50% off-axis
Brightness	1,000 ANSI lumens
Resolution	1,365 x 1,024 pixels full coverage of S-XGA (1,280 x 1,024) Graphics (S-XGA, XGA, S-VGA, VGA) 1,000 TV lines (Video)
Contrast Ratio	More than 350 : 1
Color Reproduction	16.7 million color
Projection Method	Front/rear/upside-down
Scan Frequency	
Horizontal	15 – 82 kHz
Vertical	50 – 78 Hz
Input	Analog RGB x 2 (D-Sub (female) x 1, R,G,B,H,V x 1) Y/C-Separated x 1 Composite x 1 Component x 1 (Y/R-Y/B-Y, Y/ P _B / P _R for HDTV)
Output	
PC Monitor	D-sub (female)
Audio	Stereo
Throw Distance	8 ft – 65 ft (2.5 m – 20 m)
Screen Size	
Wide	63" – 527" (1,600 mm – 13,385 mm) (diagonal)
Tele	42" – 346" (1,066 mm – 8,788 mm) (diagonal)
Lamp	420 watts, Xenon
Audio	Built-in stereo speakers (1 W + 1 W stereo)
Input Power	100 – 120 V, 50/60 Hz AC
Power Consumption	660 W
Dimensions (WxHxD)	16.73" x 9.92" x 13.35" (425 x 252 x 339 mm) excluding lens
Weight	33 lbs (15 kg)
Provided Accessories	AC cable, Wireless (infrared) remote control PC connection cable (D-sub 15-pin male – D-sub 15-pin male) Adapter for Macintosh AV cable, BNC-RCA adapter, Audio cable Lens cap, Operation manual Battery for remote control unit x 2

Dimensions



Unit: inches (mm)

ILA is a registered trademark of Hughes-JVC Technology Corporation.
D-ILA is a trademark of Victor Company of Japan, Limited.

Design and specifications subject to change without notice.

Copyright © 1999, Victor Company of Japan, Limited (JVC). All Rights Reserved.

JVC® DISTRIBUTED BY

ProSelecta

View :: Compare :: Select - www.ProSelecta.com