

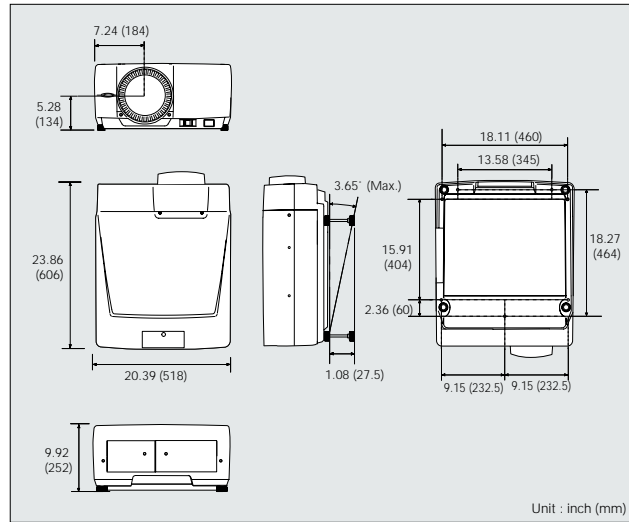
## Multimedia LCD Projector

## PLC-XF60/EF60

### The Solution to Professional Demands



#### External dimensions



#### Specifications

|                         |   |   |   |
|-------------------------|---|---|---|
| Model number            | PLC-XF60  | PLC-EF60  |   |
| System                  | 3-color LCD shutter projection system   |   |   |
| Optics                  | Dichroic mirror separation/prism synthesis system   |   |   |
| LCD panel               | Size  | 1.4-inch x 3, 4:3 aspect ratio  |   |
|                         | Drive system  | Polysilicon active matrix TFT   |   |
|                         | Number of pixels  | 2,359,296 pixels:<br>786,432 (1,024 x 768) x 3  | 4,410,000 pixels:<br>1,470,000 (1,400 x 1050) x 3 |
|                         | Configuration   | Stripe  |   |
| Lens                    | Optional  |   |   |
| Lamp                    | 300W UHP x 2  |   |   |
| Projection size         | 30 to 500 inches diagonally   |   |   |
| Throw distance          | Differs depending on installed lens   |   |   |
| Color reproduction      | Full color (1,070 million colors)   |   |   |
| Brightness*1 *2         | 6,500 lumens  | 5,800 lumens  |   |
| Uniformity*1            | 90%   |   |   |
| Contrast ratio*1 *3     | 1,300:1 (full on/full off)  |   |   |
| Audio output            | 3 W + 3 W (stereo)  |   |   |
| Speaker                 | Ø2.8 cm x 2   |   |   |
| Scanning frequency      | H-sync: 15-120 kHz, V-sync: 48-120 Hz, Dot clock: 230 MHz or less   |   |   |
| Resolution RGB          | 1,024 x 768 dots (Dot resizing for 1,600 x 1,200 - 1,280 x 1,024)   | 1,400 x 1,050 dots (Dot resizing for 1,600 x 1,200)   |   |
| Computer compatibility  | UXGA/SXGA/XGA/SVGA/VGA/Mac  |   |   |
| Color system            | PAL/SECAM/NTSC/NTSC 4.43/PAL-M/PAL-N  |   |   |
| Input terminals         | Input 1   | Image: DVI-D x 1 (HDCP compatible*4), mini D-sub 15-pin x 1<br>Audio: Stereo mini jack x 1              |   |
|                         | Input 2   | Image: BNC x 5 (RGBHV/YCbCr/Video)<br>Audio: Stereo mini jack x 1                                       |   |
|                         | Input 3   | Image: RCA x 3 (Y/Cb/Video), S-Video x 1<br>Audio: RCA x 2 (R/L (mono))                                 |   |
|                         | Input 4   | MVP slot 1 (Warp & blending board installed)<br>Image: DVI-D x 1, Serial port: D-sub 9-pin x 2 (in/out) |   |
|                         | Input 5   | Open  |   |
| Output terminals        | Image: Mini D-sub 15-pin x 1 (analog RGB)   |   |   |
| Communication terminals | USB port: Type A x1, type B x 1   |   |   |
|                         | Serial port: D-sub 9-pin x 2 (in/out)<br>Wired remote jack: Stereo mini jack x 1  |   |   |
| Exclusive terminal      | For Smoke Resistant Box   |   |   |
| Fan noise               | 39 dB (Eco mode)  |   |   |
| Operating temperature   | 5-35 C  |   |   |
| Power supply            | AC 100-240 V, 50/60 Hz, auto voltage  |   |   |
| Power consumption       | 900 W   |   |   |
| Dimensions (W x H x D)  | 20.39" x 9.92" x 23.86" (518 x 252 x 606 mm)  |   |   |
| Weight                  | 54.3 lbs (without lens) (24.7 kg)   |   |   |
| Standard accessories    | Owner's manual, warranty card, AC power cord (3 m, x 1),<br>wired remote control cable (x 1), wireless/wired remote control(x 1),<br>AA-size dry batteries (x 2) supplied, PIN code label,<br>DVI cable (x 1), VGA cable (x 1), lens attachment (x 1),<br>light shield (x 2), application software CD-ROM, dust cover |   |   |

\*1 The figures are averages of all products at the time of shipment, and are indicated in accordance with JIS X6911: 2003Data Projector Specifications Format. The measurement method and conditions are described in Appendix 2.  
\*2 In 2 lamp mode, with the LNS-W04 installed.  
\*3 In High Contrast mode, lamp mode: Auto.  
\*4 DVI input images may not appear depending on the change of HDCP specifications.  
All trademarks and registered trademarks are the property of their respective trademark owners.

#### Dedicated options

**Installation example**

Mounting hardware for low ceilings  
**POA-CHS401**

**Installation example**

Mounting hardware for high ceilings  
**POA-CHL401**

**Replacement Filter POA-FIL-140**

**Smoke Resistant Box POA-SR-140**

**Bumper Frame POA-BF-140**

\*Appearance may change due to modification.



#### Safety Precautions

- Do not install the LCD projector in areas exposed to water, humidity, dust, oil or smoke or in close proximity to heat sources. Make sure the heat vents are not blocked. Fire, electrical shock or unit malfunction may result if the above precautions are neglected.
- Do not look through the lens while projecting as damage to the eyes could result. Take special care when children are close by.
- Do not look at the laser beam coming out of the remote control unit or direct the laser beam toward a person. Direct contact with the laser beam may cause damage to the eyes.

#### Remarks

- LCD panel manufacturing requires extremely high-precision technology with pixels having a 99.99% quality control rating. However, there does exist a 0.01% or smaller possibility of dead pixels or constantly lit pixels.
- Please note that product colors in the brochure may differ slightly from those of actual products.
- All screen pictures in the catalog are simulated.
- Product appearance and specifications subject to change without notice.
- Please be aware that extended, continuous use of an LCD projector may cause the optical components to wear more quickly.

Further details regarding this product can be accessed at <http://www.sanyo-lcdp.com/english/>

**\* Caution:** please consult the instruction manual to ensure safe and proper operation of the product.

Distributed by:



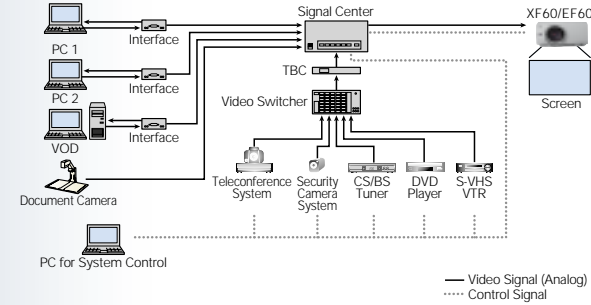


## Responding to a Host of Large-Screen Needs

### Conventions and Other Events



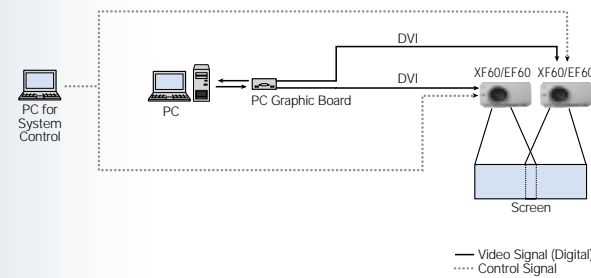
Project crisp, sharp images from a variety of sources - PCs, document cameras, VTRs and more. With the XF60/EF60's high output and brightness, there's no need to dim the room lights - so viewers can read handouts and take notes comfortably during the presentation. Using a PC gives you total control over image source switching, for easy, flexible large-screen presentations.



### Theaters and Halls



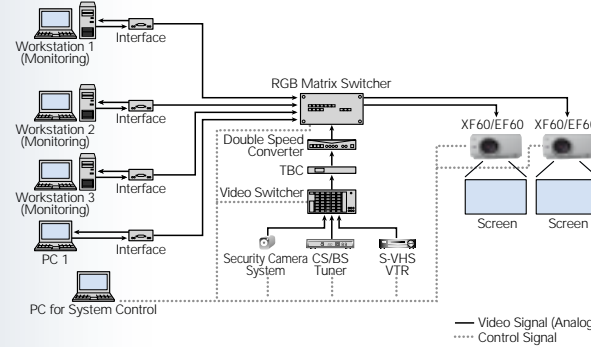
You can use the simple blending function to input signals from a split source separately to two PLC-XF60 or PLC-EF60 projectors, and display them onto a special screen as a single image. The warp function also lets you project images onto a curved screen. These functions make it easy to create impressive, high-resolution visual effects in halls, theaters, and other large venues.



### Monitor Control



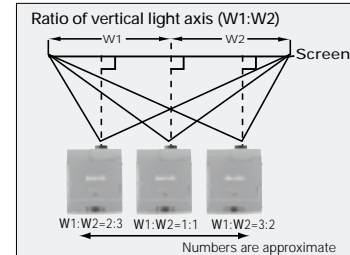
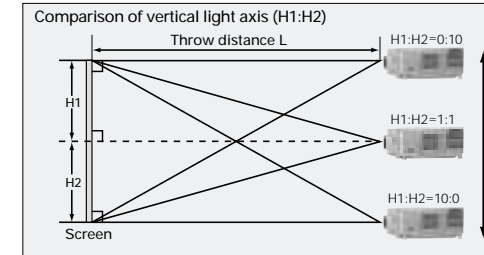
You can configure a large-screen monitor system by using multiple XF60/EF60s in a rear projection system to project images onto a multi-screen display. Use it to reproduce complex visual information, such as network control schematics, maps, and images from surveillance cameras. Using a system control PC makes it easy to operate and manage this kind of system.



### Optional Lenses

| Product name          | Wide fixed lens 1<br>LNS-W01Z | Wide zoom lens<br>LNS-W02Z | Wide fixed lens 2<br>LNS-W03 | "1.4" S standard zoom<br>(1.8" wide zoom)"<br>LNS-W04 | Standard zoom lens 2<br>LNS-S02Z | Standard zoom lens 3<br>LNS-S03 | Semi-long zoom lens<br>LNS-M01Z | Long fixed lens<br>LNS-T01 | Long zoom lens<br>LNS-T02 | Long zoom lens<br>LNS-T03 |            |           |
|-----------------------|-------------------------------|----------------------------|------------------------------|---|----------------------------------|---------------------------------|---------------------------------|----------------------------|---------------------------|---------------------------|------------|-----------|
| Product number        | LNS-W01Z                      | LNS-W02Z                   | LNS-W03                      | LNS-W04   | LNS-S02Z                         | LNS-S03                         | LNS-M01Z                        | LNS-T01                    | LNS-T02                   | LNS-T03                   |            |           |
| Focal length          | 45mm                          | 52-68mm                    | 30mm                         | 58-76mm   | 76-97mm                          | 97-131mm                        | 125-162mm                       | 253mm                      | 158-221mm                 | 224-325mm                 |            |           |
| F value               | F2.5                          | F2.5-F2.9                  | F2.6                         | F1.7-2.3  | F2.0-F2.3                        | F1.7-F2.7                       | F2.0-F2.6                       | F2.0                       | F2.0-F2.6                 | F2.2-F2.5                 |            |           |
| Lens aperture         | 175mm                         | 120mm                      | 175mm                        | 122mm   | 116mm                            | 137mm                           | 95mm                            | 158mm                      | 130mm                     | 169mm                     |            |           |
| Lens weight           | 5.8kg                         | 2.5kg                      | 3.1kg                        | 2.8kg   | 1.9kg                            | 3.7kg                           | 1.9kg                           | 3.8kg                      | 3.1kg                     | 7.3kg                     |            |           |
| Projection light axis | H1:H2<br>W1:W2                | 10:0-0:10<br>2:3-3:2       | 10:0-0:10<br>2:3-3:2         | 1:1<br>2:3-3:2  | 10:0-0:10<br>2:3-3:2             | 8:-1:-1:8<br>2:3-3:2            | 10:0-0:10<br>2:3-3:2            | 10:0-0:10<br>2:3-3:2       | 10:0-0:10<br>2:3-3:2      | 10:0-0:10<br>2:3-3:2      |            |           |
| Zoom/focus            | Fixed/manual                  | Motor driven               | Fixed/manual                 | Motor driven  | Motor driven                     | Motor driven                    | Motor driven                    | Fixed/manual               | Motor driven              | Manual                    |            |           |
| Lens memory           | —                             | —                          | —                            | —   | —                                | —                               | —                               | —                          | —                         | —                         |            |           |
| Twin stack support    | —                             | —                          | —                            | —   | —                                | —                               | —                               | —                          | —                         | —                         |            |           |
| Throw                 | Throw (mm)                    | Wide (mm)                  | Stack (mm)                   | Tele (mm)   | Throw (mm)                       | Wide (mm)                       | Stack (mm)                      | Tele (mm)                  | Throw (mm)                | Wide (mm)                 | Stack (mm) | Tele (mm) |
| 30-inch type          | 874                           | 1028                       | 1190                         | 1365  | 575                              | 1101                            | 1444                            | 1497                       | 1416                      | 1938                      | 2608       | —         |
| 40-inch type          | 1193                          | 1401                       | 1616                         | 1850  | 790                              | 1514                            | 1966                            | 2037                       | 1958                      | 2620                      | 3115       | —         |
| 50-inch type          | 1513                          | 1774                       | 2042                         | 2335  | 1004                             | 1927                            | 2489                            | 2577                       | 2500                      | 3302                      | 3315       | —         |
| 60-inch type          | 1832                          | 2146                       | 2469                         | 2820  | 1218                             | 2340                            | 3011                            | 3117                       | 3041                      | 3983                      | 4019       | —         |
| 70-inch type          | 2151                          | 2519                       | 2895                         | 3305  | 1433                             | 2754                            | 3533                            | 3657                       | 3583                      | 4665                      | 4723       | —         |
| 80-inch type          | 2471                          | 2891                       | 3321                         | 3790  | 1647                             | 3167                            | 4055                            | 4197                       | 4125                      | 5347                      | 5427       | —         |
| 90-inch type          | 2790                          | 3264                       | 3748                         | 4275  | 1861                             | 3580                            | 4577                            | 4737                       | 4666                      | 6029                      | 6131       | —         |
| 100-inch type         | 3109                          | 3637                       | 4174                         | 4760  | 2075                             | 3993                            | 5099                            | 5276                       | 5208                      | 6711                      | 6835       | —         |
| 110-inch type         | 3429                          | 4009                       | 4601                         | 5245  | 2290                             | 4407                            | 5621                            | 5816                       | 5750                      | 7392                      | 7538       | —         |
| 120-inch type         | 3748                          | 4382                       | 5027                         | 5730  | 2504                             | 4820                            | 6143                            | 6356                       | 6291                      | 8074                      | 8242       | —         |
| 130-inch type         | 4067                          | 4755                       | 5453                         | 6215  | 2718                             | 5233                            | 6665                            | 6966                       | 6833                      | 8756                      | 8946       | —         |
| 140-inch type         | 4386                          | 5127                       | 5840                         | 6700  | 2932                             | 5647                            | 7187                            | 7436                       | 7374                      | 9438                      | 9650       | —         |
| 150-inch type         | 4706                          | 5500                       | 6306                         | 7185  | 3147                             | 6060                            | 7709                            | 7976                       | 7916                      | 10119                     | 10354      | —         |
| 160-inch type         | 5025                          | 5872                       | 6732                         | 7670  | 3361                             | 6473                            | 8231                            | 8516                       | 8458                      | 10801                     | 11068      | —         |
| 170-inch type         | 5344                          | 6245                       | 7159                         | 8155  | 3575                             | 6886                            | 8754                            | 9056                       | 8999                      | 11483                     | 11762      | —         |
| 180-inch type         | 5664                          | 6618                       | 7585                         | 8640  | 3789                             | 7300                            | 9276                            | 9596                       | 9541                      | 12165                     | 12465      | —         |
| 190-inch type         | 5983                          | 6990                       | 8012                         | 9125  | 4004                             | 7713                            | 9798                            | 10136                      | 10083                     | 12846                     | 13169      | —         |
| 200-inch type         | 6302                          | 7363                       | 8438                         | 9610  | 4218                             | 8126                            | 10320                           | 10676                      | 10624                     | 13528                     | 13873      | —         |
| 230-inch type         | 7260                          | 8481                       | 9717                         | 11065   | 4861                             | 9366                            | 11886                           | 12296                      | 12249                     | 15574                     | 15985      | —         |
| 250-inch type         | 7899                          | 9226                       | 10570                        | 12035   | 5289                             | 10192                           | 12930                           | 13376                      | 13332                     | 16937                     | 17393      | —         |
| 280-inch type         | 8856                          | 10344                      | 11849                        | 13490   | 5932                             | 11432                           | 14496                           | 14996                      | 14957                     | 18982                     | 19504      | —         |
| 300-inch type         | 9495                          | 11089                      | 12702                        | 14460   | 6361                             | 12259                           | 15541                           | 16076                      | 16041                     | 20346                     | 20912      | —         |
| 330-inch type         | 10453                         | 12207                      | 13981                        | 15915   | 7004                             | 13499                           | 17107                           | 17696                      | 17666                     | 22391                     | 23023      | —         |
| 350-inch type         | 11091                         | 12952                      | 14834                        | 16885   | 7432                             | 14325                           | 18151                           | 18775                      | 18749                     | 23755                     | 24431      | —         |
| 380-inch type         | 12049                         | 14070                      | 16113                        | 18340   | 8075                             | 15565                           | 19717                           | 20395                      | 20374                     | 25800                     | 26543      | —         |
| 400-inch type         | 12688                         | 14816                      | 16966                        | 19310   | 8503                             | 16392                           | 20761                           | 21475                      | 21457                     | 27164                     | 27950      | —         |
| 410-inch type         | 13007                         | 15188                      | 17392                        | 19795   | 8718                             | 16805                           | 21283                           | 22015                      | 21999                     | 27845                     | 28654      | —         |
| 420-inch type         | 13326                         | 15561                      | 17818                        | 20280   | 8932                             | 17218                           | 21806                           | 22555                      | 22540                     | 28527                     | 29358      | —         |
| 430-inch type         | 13646                         | 15933                      | 18245                        | 20765   | 9146                             | 17631                           | 22328                           | 23095                      | 23082                     | 29209                     | 30062      | —         |
| 440-inch type         | 13965                         | 16306                      | 18671                        | 21250   | 9361                             | 18045                           | 22850                           | 23635                      | 23624                     | 29891                     | 30766      | —         |
| 450-inch type         | 14284                         | 16679                      | 19097                        | 21735   | 9575                             | 18458                           | 23372                           | 24175                      | 24165                     | 30573                     | 31470      | —         |
| 460-inch type         | 14604                         | 17051                      | 19524                        | 22220   | 9789                             | 18871                           | 23894                           | 24715                      | 24707                     | 31254                     | 32174      | —         |
| 470-inch type         | 14923                         | 17424                      | 19950                        | 22705   | 10003                            | 19284                           | 24416                           | 25255                      | 25249                     | 31936                     | 32877      | —         |
| 480-inch type         | 15242                         | 17797                      | 20377                        | 23190   | 10218                            | 19698                           | 24938                           | 25795                      | 25790                     | 32618                     | 33581      | —         |
| 490-inch type         | 15562                         | 18169                      | 20803                        | 23675   | 10432                            | 20111                           | 25460                           | 26335                      | 26332                     | 33300                     | 34285      | —         |
| 500-inch type         | 15881                         | 18542                      | 21229                        | 24160   | 10646                            | 20524                           | 25982                           | 26875                      | 26873                     | 33981                     | 34989      | —         |

### Ratio of light axis of image throw



Ratio of projection light axis (H1:H2, W1:W2) can be electronically changed. Range of change differs according to lens.

- \*1 The approximate projection distance has been calculated based on lens specifications. A maximum 5% differentiation may occur due to minute lens size/shape variations.
- \*2 The "stacking point" is a recommended distance best for projection when using 2 stacked units. Due to minute lens size/shape variations, best results may not be achieved when unit is positioned away from the recommended stack point area.
- \*3 Short lenses (LNS-W01Z/W02Z/W03) cannot be used for stack projection.
- \*4 Optional lenses are provided with dedicated tools for lens changing.



Real XGA Projector 6500lm PLC-XF60



Real SXGA+ Projector 5800lm PLC-EF60

|            |                              |        |           |                                |                        |                           |                |                 |                               |                |                      |                      |                         |                      |                    |                     |                  |              |               |             |                |                       |              |                           |                 |                  |                                |             |                  |                  |                    |                     |                         |          |                               |                |
|------------|------------------------------|--------|-----------|--------------------------------|------------------------|---------------------------|----------------|-----------------|-------------------------------|----------------|----------------------|----------------------|-------------------------|----------------------|--------------------|---------------------|------------------|--------------|---------------|-------------|----------------|-----------------------|--------------|---------------------------|-----------------|------------------|--------------------------------|-------------|------------------|------------------|--------------------|---------------------|-------------------------|----------|-------------------------------|----------------|
| Resolution | High Contrast Optical System | DRIT*1 | 3D AUCC*2 | 12bit Digital Gamma Correction | 3D Digital Progressive | 3D Digital Y/C Separation | 3D Digital I/R | Ghost Canceller | Intelligent Sharpness Control | 3-2/2 Pulldown | DVI(HDCP) Compatible | Auto Picture Control | Color Management System | Multiple-Lamp System | Fail-Safe Function | LENS SHIFT U/D, R/L | Digital KEYSTONE | Digital Zoom | LENS Exchange | LENS MEMORY | Easy Stackable | 360-Degree Tilt Angle | MVP*3 System | Mechanical Shutter System | WARP & BLENDING | My Menu Function | Optional Filter Box compatible | Monitor Out | USB-Key Security | Built-in Speaker | Filter Warning LED | USB Mouse*4 Control | Power Management System | Eco Mode | Wireless/Wired Remote Control | Multi Language |
|------------|------------------------------|--------|-----------|--------------------------------|------------------------|---------------------------|----------------|-----------------|-------------------------------|----------------|----------------------|----------------------|-------------------------|----------------------|--------------------|---------------------|------------------|--------------|---------------|-------------|----------------|-----------------------|--------------|---------------------------|-----------------|------------------|--------------------------------|-------------|------------------|------------------|--------------------|---------------------|-------------------------|----------|-------------------------------|----------------|

PLC-XF60 — XGA

PLC-EF60 — SXGA+

\*1: Digital Realized Interpolation Technology \*2: 3D Automatic Uniformity Correction Control \*3: Multi-Versatile Platform \*4: Not compatible with some models.



# Performance You Would Expect in Projectors One Class Above

After carefully analyzing professional needs, SANYO has used its advanced technologies to develop a projector series that offers an ideal solution to high-level applications.



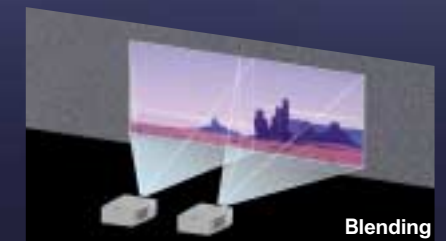
## 3-LCD Projector

Designed specifically for professional use, these high-performance projectors are at the top of their class in every essential presentation requirement: image quality, operating ease, installation flexibility and maintenance.

PLC-XF60/EF60

### Warp & Blending

The PLC-XF60/EF60 projects images onto a screen with a curved surface, letting you easily construct an advanced theater system.



### Single Intake and Exhaust Vents

Air is drawn in through one vent and exhausted from another. You get simpler maintenance, with only one filter to replace.



### Front Interface Panel

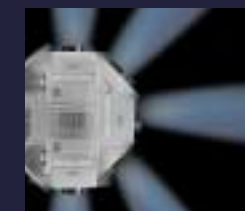
Slots for optional boards and other terminals are right on the front panel for easy access. You don't need extra space behind the unit\*.



\* A minimum space is required.

### 360-Degree Tilt Angle

The PLC-XF60/EF60 can project images while it is tilted 360 degrees around its horizontal axis in either direction—for more flexible setup.



### Touch Pad on Unit Top

The touch pad on top makes it easy to access and adjust settings. You can also operate the PLC-XF60/EF60 with a USB-connected mouse.



### RF Remote Control with Touch Pad

The PLC-XF60/EF60's RF remote control unit features a handy touch pad for easy operation, even in dark rooms.



### Progressive Scan IC

The newly developed progressive scan IC improves image quality. 2-3 pulldown compatibility also provides outstanding images from film sources.

### Mechanical Shutter System

A new shutter mechanism provides complete blackness when no image is being projected.



## Performance

### 6500 Lumens Brightness

The PLC-XF60/EF60 is equipped with XGA / SXGA+ LCD panels with micro lenses. The two UHP lamps combine with the industry's most advanced optical engine to deliver class-leading brightness of 6500 lumens.

\* 5800 lumens for the PLC-EF60



### 1300:1 Contrast Ratio

The new mechanical shutter system helps SANYO's high-performance optical system achieve its best-in-class contrast ratio of 1300:1\*.

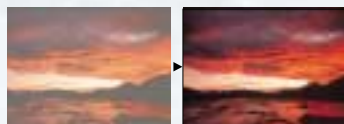
This is one more reason for the PLC-XF60/EF60's crisp, high-quality images. \*In High Contrast mode

### Progressive Scan IC

A newly developed progressive scan IC improves image quality, and a SANYO original cross-color separation circuit helps achieve superior diagonal resolution. Also offering 2-3 pulldown compatibility (HDTV compatibility), the PLC-XF60/EF60 delivers high-quality image projection from film sources.

### 12-Bit Digital Gamma Correction

This gamma correction control function achieves smoother gradation characteristics by adjusting the gradation according to the image being input.



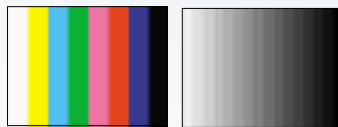
### Mechanical Shutter System

A new shutter mechanism clicks into place to block the lamp light the instant you turn off the image. It also prevents overlapping images when you are using several projectors on a single screen.

### Built-In Test Pattern

A built-in test pattern lets you make precise, detailed adjustments during setup, even when there's no external signal source available.

It also eliminates the need to connect and reconnect equipment when making adjustments with a twin-stack setup.



### Color/Gamma Correction

The CD-ROM supplied with the PLC-XF60/EF60 includes software for color correction and gamma correction. You can make precise, detailed adjustments to assure that the projected images have the superior quality needed in the most demanding professional applications.

## Usability

### Touch Pad on the Top

A touch pad on the top of the main unit lets you perform almost all operations available on the remote control. You'll find the touch pad especially convenient when making adjustments during system setup.

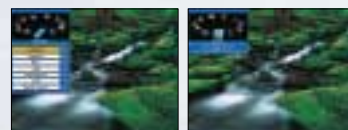


### Lens Memory

The lens position, zoom and focus settings can be stored in memory for instant recall. \* Supports only the standard lens (LNS-W04)

### New Graphical User Interface (GUI)

The PLC-XF60/EF60 introduces a new on-screen display designed for easier operation. With a customizable "My Menu" function and control possible via a USB mouse, you can get the flexibility to handle any operating conditions.



### RF Remote Control with Touch Pad

Because the PLC-XF60/EF60 uses an RF (radio frequency) remote control system rather than a conventional infrared system, you can get a much wider remote control range. The remote control unit also has a touch pad. Compared with units that have illuminated buttons, the touch pad is easier to operate in dark settings where it's difficult to see your fingertip.



### Input Search

With this function On, PLC-XF60/EF60 automatically starts input signal search when turning on the projector.

### Custom Startup

A company logo mark or other image can be captured and used as the startup image.

### Selectable Background

The PLC-XF60/EF60 can be set to display blue, black or a custom logo (captured image) when there is no input signal.

## Flexibility

### Front Interface Panel

The optional board slots and other connection terminals are set right on the front panel for easy access and extra layout flexibility. You can set up your PLC-XF60/EF60 system without worrying about how much space\* there is behind the unit. A terminal cover (with strap) is also provided. \* A minimum space is required.

### Rigid, Stackable Cabinet

The PLC-XF60/EF60 features an extremely rigid cabinet that lets you stack one unit atop another without special hardware. This improved rigidity makes it easy to set up a twin projection system or to stack a backup unit.



### Vertical/Horizontal Lens Shift

The lens can be shifted between 10:0 and 0:10\* vertically and between 3:2 and 2:3\* horizontally. This makes the PLC-XF60/EF60 much easier to set up than our previous two-lamp projectors. \* With the LNS-W04



### Keystone Correction

The PLC-XF60/EF60 provides keystone correction of +/-20 degrees horizontally and +/-35 degrees vertically.



Note: Horizontal keystone is ineffective with the PLC-EF60

### 360-Degree Tilt Angle

The PLC-XF60/EF60 can project images while the main unit is tilted 360 degrees around the horizontal axis in either direction. This gives you more setup flexibility - for example, you can set up with the screen on the ceiling or floor.



### Optional Lenses

SANYO offers a wide selection of optional lenses. This lets you find the right lens for any particular application, and it gives you the system layout and setup flexibility you need to handle a variety of conditions.

## Easy Maintenance

### Single Intake and Exhaust Vents

Air enters through a single vent on one side and exits through a single vent on the opposite side. This improves dust resistance. Because there's only one filter to replace, maintenance is easier too. The optional Smoke Resistant Box attaches easily for projector use in harsh environmental conditions.



### Filter Warning

An LED on the main unit lights up to indicate when the filter needs replacement. This helps prevent a clogged filter from causing serious equipment problems.



### Easy-Replaceable Lens Mount

The bayonet-mount system lets you change lenses quickly and easily.



### Optional Long-Life Lamp

The optional long-life lamp\* offers an extended life expectancy of about 10,000 hours. \* Available soon.

### USB Memory Backup

Image adjustment settings can be stored in the optional USB memory.\* You can then copy the stored data to another PLC-XF60/EF60 for use as a backup projector. You can also copy the user setting list. \* POA-USB01

### Security Functions

The 4-digit PIN code lock function prevents unauthorized use of the projector. The optional USB memory\* can also be used as a protect key. \* POA-USB01

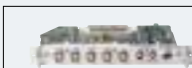


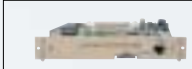


### Warning Log

Errors that occur in the main unit are logged in memory. This stored information can help reduce troubleshooting time and effort.

### Two Interface Board Slots

The front panel has two slots for interface boards. Both slots support the Multi Versatile Platform (MVP), so you can expand functions in the future. Input 4 supports both digital and analog (a Warp & Blending board comes as standard equipment). Input 5 is digital.



|   |   |   |                                   |
|---|---|---|-----------------------------------|
|  |  |  |                                   |
| Product name<br>Item code   | 5-BNC Board<br>POA-MD16VD1  | DVI Board<br>POA-MD18DVI  | Dual-SD Board<br>POA-MD17SDID     |
|  |  |  |                                   |
| Product name<br>Item code   | Network Board<br>POA-MD19NET  | Faroudja Board<br>POA-MD09VD3   | Mini D-sub15 Board<br>POA-MD04VGA |

