

you can  
**Canon**

**LV-S3**

micro portable  
multimedia projector

*Portable projection power  
at your fingertips*





## *Picture perfect projection... on the road, in the home, everywhere*

Canon's LV-S3 micro portable projector provides high quality performance at an affordable price. It's perfect for on-the-road sales presentations. Spectacular for home cinema projection. Plus it's lightweight, ultra compact and extra easy to use. Set it up anywhere and enjoy excellent viewing in all conditions - complete with versatile features and simple connectivity to a wide range of multimedia devices.

### ULTRA BRIGHT AND COMPACT

Whether viewing in daylight, dim light or in the dark, the LV-S3 projects bright, clear images - thanks to a high 1,200 ANSI lumens and true SVGA resolution. Ensuring high performance in an extremely compact design. Weighing only 2.2 kg and with a mini A5+ footprint. So you can use it anywhere and everywhere with ease - and benefit from bright, bold and rich colours.

### EXTRA QUIET & EASY TO USE

If you're giving presentations in a small office, or watching a film in your living room, you don't want any distracting noise. Simply switch on the silent mode (only 32 dB) and operation is whisper quiet. Fan noise is also kept to a strict minimum, as the fan system automatically adjusts to room temperature. The LV-S3 is easy to operate, with a mini remote control ensuring push button simplicity. There's even a special presentation remote controller that allows you to control all mouse functions effortlessly.



Original image



Bright and clear  
projected image



**Interlaced scanning**



**Flicker-free progressive scanning**

#### PRECISE PICTURE ADJUSTMENT

A choice of six image settings provides perfect viewing in all situations. Hi-Contrast mode makes graphs and photographs look sharper. Cinema mode is designed for watching films in a darkened room. Custom mode gives you freedom to adjust several factors with ease. While auto image mode brings out pure black areas perfectly - and auto greyscale ensures extra-sharp black and white projection.

#### SMOOTH, CLEAR PROJECTION

If you want projection with smooth movement, clear diagonal lines and super sharp titles and subtitles, choose the LV-S3. It uses new progressive scanning technology to achieve this effect - rather than conventional interlaced scanning, which can cause image flickering.

#### DISTORTION-FREE IMAGES

When a projector is placed at an angle to the screen, image distortion often occurs. But the LV-S3 uses vertical Keystone Correction to overcome this problem. This makes projection placement easier, even in the smallest rooms, so you benefit from a perfectly proportioned image at all times.

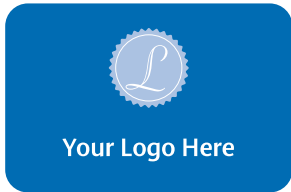
#### COMPLETE CONNECTIVITY

When using multimedia equipment with your LV-S3 - whether a VCR, DVD player or High Definition TV - just connect and project. A high quality component video connection provides improved picture quality and supports a wide range of signals. The LV-S3 also has an optional SCART connector for high quality projection with many different devices, such as digital camcorders and game consoles.

You can even customise the LV-S3 to project your own personalised logo at the start of each session - to make an impact on your audience.



**Default display**



**Your Logo Here**

**Your logo display**



**Vertical distortion**

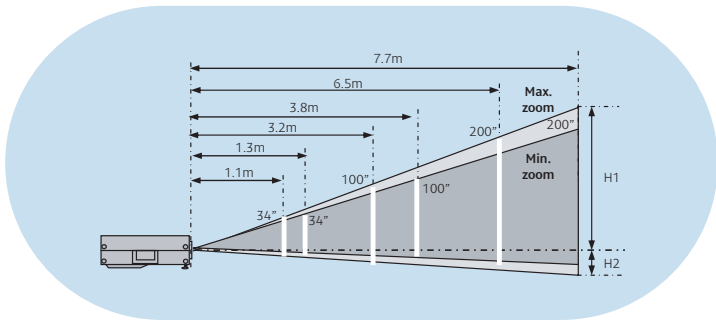


**Keystone Correction**

# LV-S3 Specifications

|                                     |   |
|-------------------------------------|---|
| <b>LCD panel</b>                    |   |
| Projection Panel                    | Poly-silicon TFT                              |
| Size and number                     | 0.5" (4:3 aspect ratio), x 3                  |
| Number of pixels                    | 800 x 600 (SVGA)                              |
| <b>Optics</b>                       |   |
| Light source                        | 150 W UHP lamp                                |
| F number & focal length             | F1.6 - 1.8, f = 18.3 to 21.8 mm               |
| Zoom magnification                  | 1.2x  |
| Zooming and focusing                | Manual  |
| Lens shifting                       | 9:1   |
| Electronic zoom magnification       | x0.5-x16                                      |
| <b>Images</b>                       |   |
| Image elevation adjustment          | Up to 11.9 degrees                            |
| Brightness (Normal mode)            | 1200 ANSI Lumens                              |
| Brightness (Silent mode)            | 960 ANSI Lumens                               |
| Contrast ratio                      | 300:1   |
| Uniformity                          | 85%   |
| Projection distance coverage        | 1.3m - 6.5m                                   |
| Keystone correction                 | Vertical ±20°                                 |
| <b>Image signals</b>                |   |
| Supported RGB input                 | XGA(Comp.) / SVGA / VGA                       |
| HDTV                                | 1080i/1035i/720p compatible                   |
| Colour systems                      | NTSC, PAL, SECAM, NTSC4.43, PAL-M and PAL-N s |
| Horizontal resolution (video input) | 500TV lines                                   |
| Scanning frequency                  |   |
| Horizontal:                         | 15 to 80 kHz                                  |
| Vertical:                           | 50 to 100 Hz                                  |
| Dot clock:                          | 100 MHz                                       |

|  |   |
|--|---|
| <b>Mechanisms</b>  |   |
| Built-in speaker   | 4 cm x 3 cm, 1 W, Monaural  |
| Others features  | Progressive scanning (480i/575i)<br>AMSS (Automatic Scanning System)<br>10bit Digital Gamma Correction<br>Picture Image Select (Standard, High contrast/Cinema, Custom) |
| <b>Connectors</b>  |   |
| Analog RGB Input   | Mini D-sub15-pin  |
| Digital Input  | -   |
| Video Input  | RCA Pin x 1: Composite input<br>Mini D-Sub 15 pin: Analogue RGB input/output, Component input, SCART Input<br>Mini DIN 4 pin: S-Video input                             |
| Audio input  | Stereo mini-jack  |
| Audio output   | Stereo mini-jack  |
| Mouse control  | Mini DIN 8-pin(serial), USB type B  |
| <b>Ratings</b>   |   |
| Rated supply voltage:  | 100V, 100 to 120V, 200 to 240V, 50/60 Hz  |
| Weight   | 2.2 kg  |
| Dimensions   | W: 278 mm, D: 213 mm, H: 80 mm  |
| Power consumption  | 244W (Silent mode: 169W)  |
| Noise  | 37dBA (Silent Mode 32dBA)   |
| Ambient temperature range  | 5 to 35° C  |
| Storage temperature range  | -10 to 60° C  |
| Warranty   | 3 years (90 days for lamp)  |
| <small>™ All company and/or product names are trademarks and/or registered trademarks of their respective manufacturers in their markets and/or countries. Canon reserves the right to change specifications without notice.</small> |   |



TRUE THROWING DISTANCES (using standard projection lens)

|             |      |       |       |
|-------------|------|-------|-------|
| Screen size | 34'  | 100'  | 200'  |
| Zoom max    | 1,1m | 3,2m  | 6,5m  |
| Zoom min    | 1,3m | 3,8m  | 7,7m  |
| Height, H1  | 46cm | 135cm | 270cm |
| Height, H2  | 5cm  | 15cm  | 30cm  |

## OPTIONAL ACCESSORIES

- Ceiling Attachment LV-CL09
- SCART cable LV-CA31
- Component Cable LV-CA32

you can  
**Canon**

