



LW855UST/ LH856UST

Projector RS232 Command Control

Installation Guide

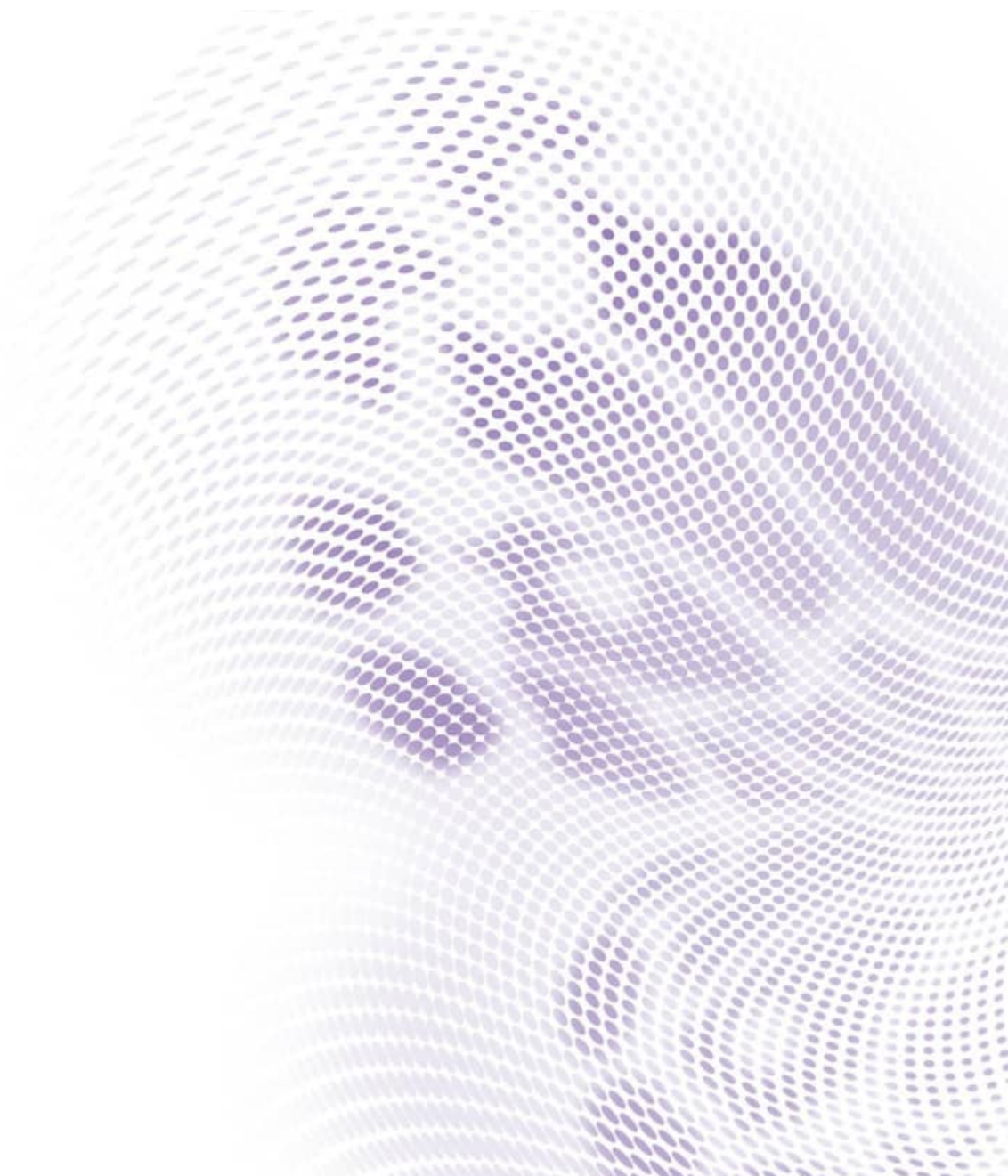


Table of Contents

Introduction	3
Wire arrangement.....	3
RS232 pin assignment.....	3
Connections and communication settings.....	4
RS232 serial port with a crossover cable.....	4
Settings	4
RS232 via LAN.....	7
Settings	7
RS232 via HDBaseT	8
Settings	8
Command table.....	10
FAQ Video	24

Introduction

The document describes how to control your BenQ projector via RS232 from a computer. Follow the procedures to complete the connection and settings first, and refer to the command table for RS232 commands.



Available functions and commands vary by model. Check the specifications and user manual of the purchased projector for product functions.

Wire arrangement

Wire Arrangement		
P1	Color	P2
1	Black	1
2	Brown	3
3	Red	2
4	Orange	4
5	Yellow	5
6	Green	6
7	Blue	7
8	Purple	8
9	Gray	9
Case	Drain wire	Case

RS232 pin assignment

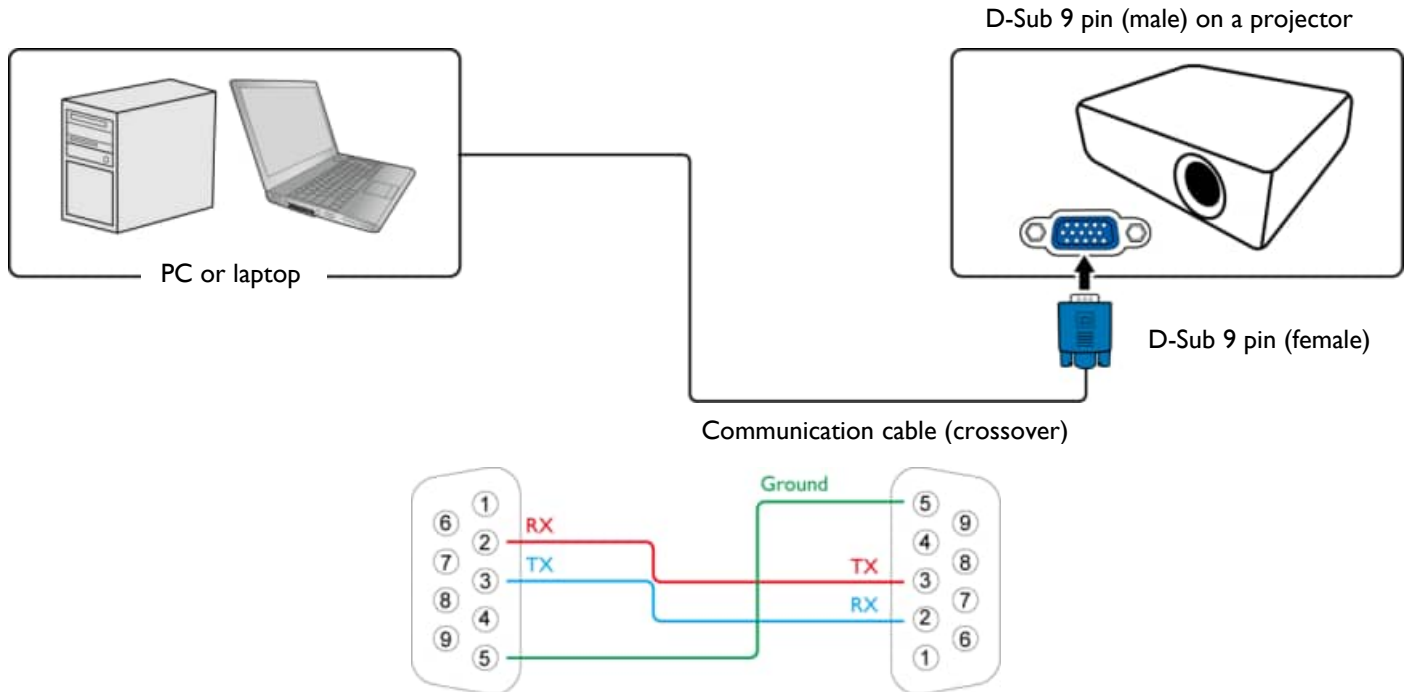


Pin	Description	Pin	Description
1	NC	2	RXD
3	TXD	4	NC
5	GND	6	NC
7	RTS	8	CTS
9	NC		

Connections and communication settings

Choose one of the connections and set up properly before RS232 control.

RS232 serial port with a crossover cable

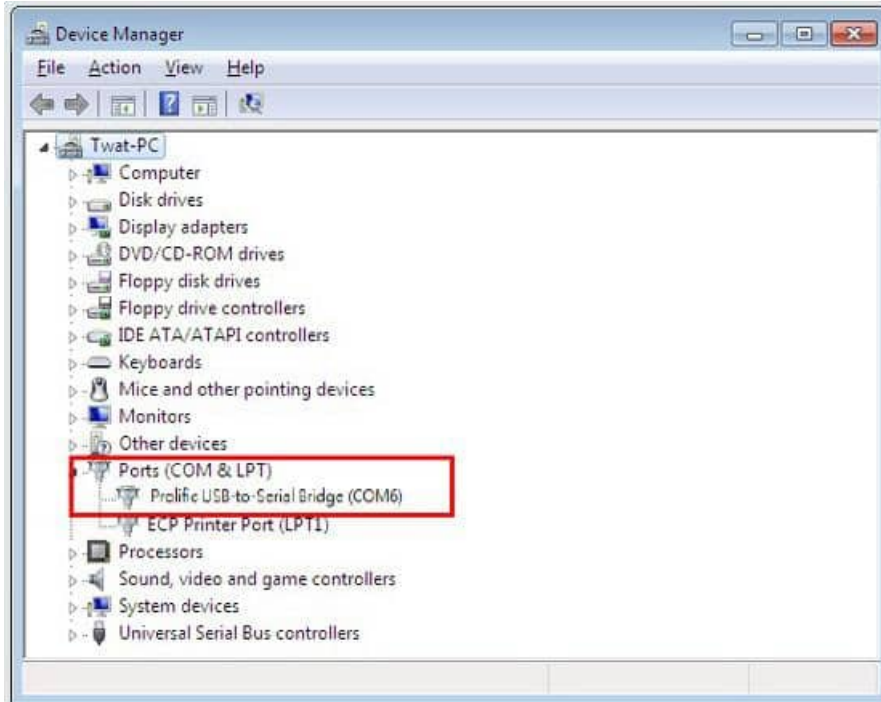


Settings



On-screen images in this document are for reference only. The screens may vary depending on your Operating System, I/O ports used for connection, and the specifications of the connected projector.

1. Determine the COM Port name used for the RS232 communications in **Device Manager**.



2. Choose **Serial** and the corresponding COM port as the communication port. In this given example, COM6 is selected.

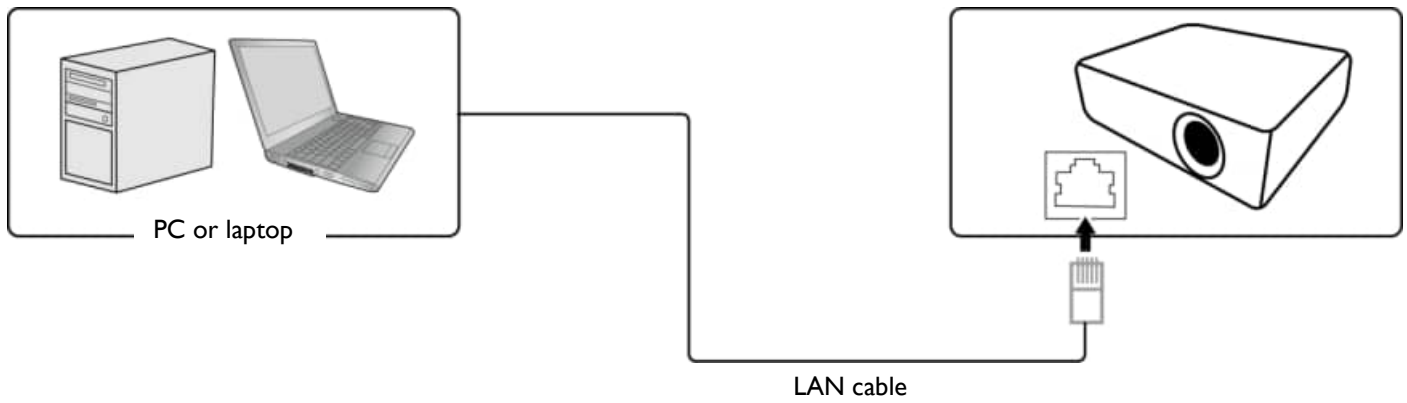


3. Finish **Serial port setup**.



Baud rate	115200 bps (default) Changeable settings in User OSD (9600/14400/19200/38400/57600/115200)
Data length	8 bit
Parity check	None
Stop bit	1 bit
Flow control	None

RS232 via LAN

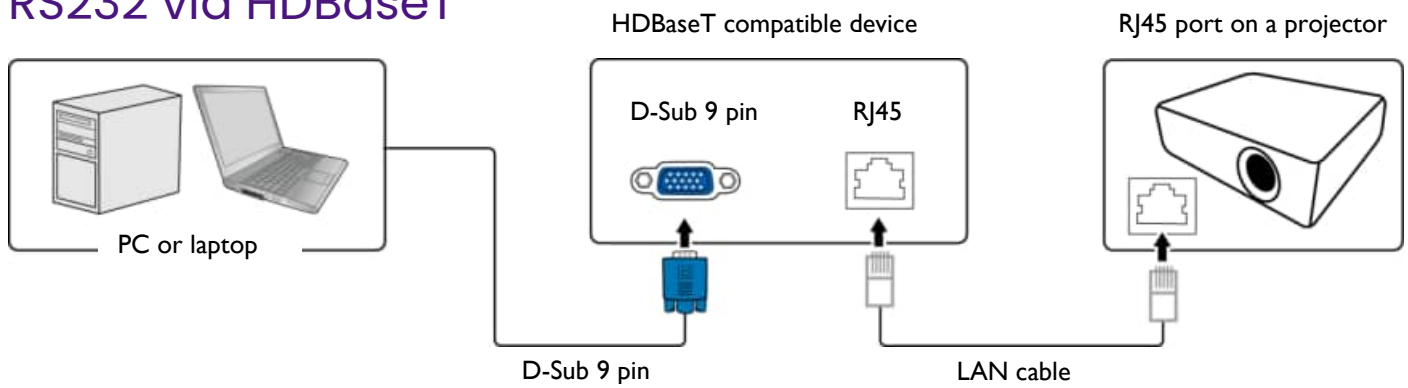


Settings

1. Find the Wired LAN IP address of the connected projector from the OSD menu and make sure the projector and the computer are within the same network.
2. Input **8000** in the **TCP port #** field.



RS232 via HDBaseT



Settings

1. Determine the COM Port name used for the RS232 communications in **Device Manager**.
2. Choose **Serial** and the corresponding COM port as the communication port. In this given example, COM6 is selected.



3. Finish **Serial port setup**.



Baud rate	115200 bps (default) Changeable settings in User OSD (9600/14400/19200/38400/57600/115200)
Data length	8 bit
Parity check	None
Stop bit	1 bit
Flow control	None

Command table



- Available features differ by projector specification, input sources, settings, etc..
- Commands are working if the standby power is 0.5W or a supported baud rate of the projector is set.
- Uppercase, lowercase, and a mixture of both types of characters are accepted for a command.
- If a command format is illegal, it will echo **Illegal format**.
- If a command with correct format is not valid for the projector model, it will echo **Unsupported item**.
- If a command with correct format cannot be executed under certain condition, it will echo **Block item**.
- If RS232 control is performed via LAN, a command works whether it starts and ends with **<CR>**. All the commands and behaviors are identical with the control through a serial port.

Function	Type	Operation	ASCII	Support
Power	Write	Power On	<CR>*pow=on#<CR>	Yes
	Write	Power off	<CR>*pow=off#<CR>	Yes
	Read	Power Status	<CR>*pow=?#<CR>	Yes
Source Selection	Write	COMPUTER/YPbPr	<CR>*sour=RGB#<CR>	Yes
	Write	COMPUTER 2/YPbPr2	<CR>*sour=RGB2#<CR>	No
	Write	COMPUTER 3/YPbPr3	<CR>*sour=RGB3#<CR>	No
	Write	Component	<CR>*sour=ypbr#<CR>	No
	Write	Component2	<CR>*sour=ypbr2#<CR>	No
	Write	DVI-A	<CR>*sour=dviA#<CR>	No
	Write	DVI-D	<CR>*sour=dvid#<CR>	No
	Write	HDMI(MHL)	<CR>*sour=hdmi#<CR>	Yes
	Write	HDMI 2(MHL2)	<CR>*sour=hdmi2#<CR>	Yes
	Write	Composite	<CR>*sour=vid#<CR>	No
	Write	S-Video	<CR>*sour=svid#<CR>	No
	Write	Network	<CR>*sour=network#<CR>	No
	Write	USB Display	<CR>*sour=usbdisplay#<CR>	No
	Write	USB Reader	<CR>*sour=usbreader#<CR>	No
	Write	HDBaseT	<CR>*sour=hdbaset#<CR>	No
	Write	DisplayPort	<CR>*sour=dp#<CR>	No
	Write	3G-SDI	<CR>*sour=sdi#<CR>	No
	Write	Smart System	<CR>*sour=smartsystem#<CR>	No
Read	Current source	<CR>*sour=?#<CR>	Yes	
Audio Control	Write	Mute On	<CR>*mute=on#<CR>	Yes
	Write	Mute Off	<CR>*mute=off#<CR>	Yes
	Read	Mute Status	<CR>*mute=?#<CR>	Yes
	Write	Volume +	<CR>*vol=+#<CR>	Yes

	Write	Volume -	<CR>*vol=-#<CR>	Yes
	Write	Volume level for customer	<CR>*vol=value#<CR>	Yes
	Read	Volume Status	<CR>*vol=?#<CR>	Yes
	Write	Mic. Volume +	<CR>*micvol=+#<CR>	Yes
	Write	Mic. Volume -	<CR>*micvol=-#<CR>	Yes
	Read	Mic. Volume Status	<CR>*micvol=?#<CR>	Yes
Audio source select	Write	Audio pass Through off	<CR>*audiosour=off#<CR>	Yes
	Write	Audio-Computer1	<CR>*audiosour=RGB#<CR>	Yes
	Write	Audio-Computer2	<CR>*audiosour=RGB2#<CR>	No
	Write	Audio-Video/S-Video	<CR>*audiosour=vid#<CR>	No
	Write	Audio-Component	<CR>*audiosour=ypbr#<CR>	No
	Write	Audio-HDMI	<CR>*audiosour=hdmi#<CR>	Yes
	Write	Audio-HDMI2	<CR>*audiosour=hdmi2#<CR>	Yes
	Write	Audio-HDMI3	<CR>*audiosour=hdmi3#<CR>	No
	Write	DisplayPort	<CR>*audiosour=dp#<CR>	Yes
	Write	HDBaseT	<CR>*audiosour=hdbaset#<CR>	Yes
	Write	Microphone	<CR>*audiosour=microphone#<CR>	Yes
	Read	Audio pass Status	<CR>*audiosour=?#<CR>	Yes
Picture Mode	Write	Dynamic	<CR>*appmod=dynamic#<CR>	No
	Write	Presentation	<CR>*appmod=preset#<CR>	Yes
	Write	sRGB	<CR>*appmod=srgb#<CR>	Yes
	Write	Bright	<CR>*appmod=bright#<CR>	Yes
	Write	Living Room	<CR>*appmod=livingroom#<CR>	No
	Write	Game	<CR>*appmod=game#<CR>	No
	Write	Cinema(Rec. 709)	<CR>*appmod=cine#<CR>	No
	Write	Standard	<CR>*appmod=std#<CR>	No
	Write	Football	<CR>*appmod=football#<CR>	No
	Write	Football Bright	<CR>*appmod=footballbt#<CR>	No
	Write	DICOM	<CR>*appmod=dicom#<CR>	No
	Write	THX	<CR>*appmod=thx#<CR>	No
	Write	Silence mode	<CR>*appmod=silence#<CR>	No
	Write	DCI-P3 mode(D.Cinema)	<CR>*appmod=dci-p3#<CR>	No
	Write	Vivid	<CR>*appmod=vivid#<CR>	No
Write	Infographic	<CR>*appmod=infographic#<CR>	No	

	Write	User1	<CR>*appmod=user1#<CR>	Yes
	Write	User2	<CR>*appmod=user2#<CR>	Yes
	Write	User3	<CR>*appmod=user3#<CR>	No
	Write	ISF Day	<CR>*appmod=isfday#<CR>	No
	Write	ISF Night	<CR>*appmod=isfnight#<CR>	No
	Write	3D	<CR>*appmod=threed#<CR>	Yes
	Write	Sport	<CR>*appmod=sport#<CR>	No
	Write	HDR10	<CR>*appmod=hdr10<CR>	Yes
	Write	HLG	<CR>*appmod=hlg<CR>	Yes
	Write	Video	<CR>*appmod=video<CR>	Yes
	Read	Picture Mode	<CR>*appmod=?#<CR>	Yes
Picture Setting	Write	Contrast +	<CR>*con=+#<CR>	Yes
	Write	Contrast -	<CR>*con=-#<CR>	Yes
	Write	Set Contrast value	<CR>*con=5#<CR>	Yes
	Read	Contrast value	<CR>*con=?#<CR>	Yes
	Write	Brightness +	<CR>*bri=+#<CR>	Yes
	Write	Brightness -	<CR>*bri=-#<CR>	Yes
	Write	Set Brightness value	<CR>*bri=5#<CR>	Yes
	Read	Brightness value	<CR>*bri=?#<CR>	Yes
	Write	Color +	<CR>*color=+#<CR>	Yes
	Write	Color -	<CR>*color=-#<CR>	Yes
	Write	Set Color value	<CR>*color=5#<CR>	Yes
	Read	Color value	<CR>*color=?#<CR>	Yes
	Write	Sharpness +	<CR>*sharp=+#<CR>	Yes
	Write	Sharpness -	<CR>*sharp=-#<CR>	Yes
	Write	Set Sharpness value	<CR>*sharp=5#<CR>	Yes
	Read	Sharpness value	<CR>*sharp=?#<CR>	Yes
	Write	Flesh Tone +	<CR>*fleshtone=+#<CR>	No
	Write	Flesh Tone -	<CR>*fleshtone=-#<CR>	No
	Write	Set Flesh Tone value	<CR>*fleshtone=5#<CR>	No
	Read	Flesh Tone value	<CR>*fleshtone=?#<CR>	No
	Write	Color Temperature-Warmer	<CR>*ct=warmers#<CR>	No
	Write	Color Temperature-Warm	<CR>*ct=warm#<CR>	Yes
	Write	Color Temperature-Normal	<CR>*ct=normal#<CR>	Yes
Write	Color	<CR>*ct=cool#<CR>	Yes	

	Temperature-Cool		
Write	Color Temperature-Cooler	<CR>*ct=cooler#<CR>	No
Write	Color Temperature-lamp native	<CR>*ct=ative#<CR>	No
Read	Color Temperature Status	<CR>*ct=?#<CR>	Yes
Write	Aspect 4:3	<CR>*asp=4:3#<CR>	Yes
Write	Aspect 16:6	<CR>*asp=16:6#<CR>	No
Write	Aspect 16:9	<CR>*asp=16:9#<CR>	Yes
Write	Aspect 16:10	<CR>*asp=16:10#<CR>	Yes
Write	Aspect 2.35:1	<CR>*asp=2.35#<CR>	No
Write	Aspect Auto	<CR>*asp=AUTO#<CR>	Yes
Write	Aspect Real	<CR>*asp=REAL#<CR>	No
Write	Aspect Letterbox	<CR>*asp=LBOX#<CR>	No
Write	Aspect Wide	<CR>*asp=WIDE#<CR>	No
Write	Aspect Anamorphic	<CR>*asp=ANAM#<CR>	No
Write	Aspect Anamorphic 2.35	<CR>*asp=ANAM2.35#<CR>	No
Write	Aspect Anamorphic 16:9	<CR>*asp=ANAM16:9#<CR>	No
Write	Aspect 2.4:1	<CR>*asp=2.4#<CR>	No
Read	Aspect Status	<CR>*asp=?#<CR>	Yes
Write	Vertical Keystone +	<CR>*vkeystone=+#<CR>	Yes
Write	Vertical Keystone -	<CR>*vkeystone=-#<CR>	Yes
Write	Set Vertical Keystone value	<CR>*vkeystone=value#<CR>	Yes
Read	Vertical Keystone value	<CR>*vkeystone=?#<CR>	Yes
Write	Horizontal Keystone +	<CR>*hkeystone=+#<CR>	Yes
Write	Horizontal Keystone -	<CR>*hkeystone=-#<CR>	Yes
Write	Set Horizontal Keystone value	<CR>*hkeystone=value#<CR>	Yes
Read	Horizontal Keystone value	<CR>*hkeystone=?#<CR>	Yes
Write	Overscan Adjustment +	<CR>*overscan=+#<CR>	No

Write	Overscan Adjustment -	<CR>*overscan=-#<CR>	No
Read	Overscan Adjustment value	<CR>*overscan=?#<CR>	No
Write	4 Corners Top-Left-X Decrease	<CR>*cornerfittlx=-#<CR>	Yes
Write	4 Corners Top-Left-X Increase	<CR>*cornerfittlx=+#<CR>	Yes
Read	4 Corners Top-Left-X Status	<CR>*cornerfittlx=?#<CR>	Yes
Write	4 Corners Top-Left-Y Decrease	<CR>*cornerfittly=-#<CR>	Yes
Write	4 Corners Top-Left-Y Increase	<CR>*cornerfittly=+#<CR>	Yes
Read	4 Corners Top-Left-Y Status	<CR>*cornerfittly=?#<CR>	Yes
Write	4 Corners Top-Right-X Decrease	<CR>*cornerfittrx=-#<CR>	Yes
Write	4 Corners Top-Right-X Increase	<CR>*cornerfittrx=+#<CR>	Yes
Read	4 Corners Top-Right-X Status	<CR>*cornerfittrx=?#<CR>	Yes
Write	4 Corners Top-Right-Y Decrease	<CR>*cornerfity=-#<CR>	Yes
Write	4 Corners Top-Right-Y Increase	<CR>*cornerfity=+#<CR>	Yes
Read	4 Corners Top-Right-Y Status	<CR>*cornerfity=?#<CR>	Yes
Write	4 Corners Bottom-Left-X Decrease	<CR>*cornerfitblx=-#<CR>	Yes
Write	4 Corners Bottom-Left-X Increase	<CR>*cornerfitblx=+#<CR>	Yes
Read	4 Corners Bottom-Left-X Status	<CR>*cornerfitblx=?#<CR>	Yes
Write	4 Corners Bottom-Left-Y	<CR>*cornerfitbly=-#<CR>	Yes

	Decrease		
Write	4 Corners Bottom-Left-Y Increase	<CR>*cornerfitbly=+#<CR>	Yes
Read	4 Corners Bottom-Left-Y Status	<CR>*cornerfitbly=?#<CR>	Yes
Write	4 Corners Bottom-Right-X Decrease	<CR>*cornerfitbrx=-#<CR>	Yes
Write	4 Corners Bottom-Right-X Increase	<CR>*cornerfitbrx=+#<CR>	Yes
Read	4 Corners Bottom-Right-X Status	<CR>*cornerfitbrx=?#<CR>	Yes
Write	4 Corners Bottom-Right-Y Decrease	<CR>*cornerfitbry=-#<CR>	Yes
Write	4 Corners Bottom-Right-Y Increase	<CR>*cornerfitbry=+#<CR>	Yes
Read	4 Corners Bottom-Right-Y Status	<CR>*cornerfitbry=?#<CR>	Yes
Write	Digital Zoom In	<CR>*zoomI#<CR>	Yes
Write	Digital Zoom out	<CR>*zoomO#<CR>	Yes
Write	Auto	<CR>*auto#<CR>	Yes
Write	Brilliant color +	<CR>*BC=+#<CR>	Yes
Write	Brilliant color -	<CR>*BC=-#<CR>	Yes
Write	Brilliant color set value	<CR>*BC=value#<CR>	Yes
Read	Brilliant color status	<CR>*BC=?#<CR>	Yes
Write	Auto(HDR)	<CR>*hdr=auto#<CR>	No
Write	SDR	<CR>*hdr=sdr#<CR>	No
Write	HDR10	<CR>*hdr=hdr#<CR>	No
Write	HLG	<CR>*hdr=hlg#<CR>	No
Write	HDR status	<CR>*hdr=?#<CR>	No
Write	Reset current picture	<CR>*rstcurpicsetting#<CR>	No

		settings		
	Write	Reset all picture settings	<CR>*rstallpicsetting#<CR>	No
	Write	Reset picture settings	<CR>*rstpicsetting#<CR>	Yes
Operation Settings	Write	Projector Position-Front Table	<CR>*pp=FT#<CR>	Yes
	Write	Projector Position-Rear Table	<CR>*pp=RE#<CR>	Yes
	Write	Projector Position-Rear Ceiling	<CR>*pp=RC#<CR>	Yes
	Write	Projector Position-Front Ceiling	<CR>*pp=FC#<CR>	Yes
	Read	Projector Position Status	<CR>*pp=?#<CR>	Yes
	Write	Quick cooling on	<CR>*qcool=on<CR>	No
	Write	Quick cooling off	<CR>*qcool=off<CR>	No
	Read	Quick cooling status	<CR>*qcool=?<CR>	No
	Write	Quick auto search	<CR>*QAS=on#<CR>	Yes
	Write	Quick auto search	<CR>*QAS=off#<CR>	Yes
	Read	Quick auto search status	<CR>*QAS=?#<CR>	Yes
	Write	Menu Position - Center	<CR>*menuposition=center#<CR>	No
	Write	Menu Position - Top-Left	<CR>*menuposition=tl#<CR>	No
	Write	Menu Position - Top-Right	<CR>*menuposition=tr#<CR>	No
	Write	Menu Position - Bottom-Right	<CR>*menuposition=br#<CR>	No
	Write	Menu Position - Bottom-Left	<CR>*menuposition=bl#<CR>	No
	Read	Menu Position Status	<CR>*menuposition=?#<CR>	No
	Write	Direct Power On-on	<CR>*directpower=on#<CR>	Yes
	Write	Direct Power On-off	<CR>*directpower=off#<CR>	Yes
	Read	Direct Power On-Status	<CR>*directpower=?#<CR>	Yes
	Write	Signal Power On-on	<CR>*autopower=on#<CR>	Yes

	Write	Signal Power On-off	<CR>*autopower=off#<CR>	Yes
	Read	Signal Power On-Status	<CR>*autopower=?#<CR>	Yes
	Write	Standby Settings-Network on	<CR>*standbynet=on#<CR>	No
	Write	Standby Settings-Network off	<CR>*standbynet=off#<CR>	No
	Read	Standby Settings-Network Status	<CR>*standbynet=?#<CR>	No
	Write	Standby Settings-Microphone on	<CR>*standbymic=on#<CR>	No
	Write	Standby Settings-Microphone off	<CR>*standbymic=off#<CR>	No
	Read	Standby Settings-Microphone Status	<CR>*standbymic=?#<CR>	No
	Write	Standby Settings-Monitor Out on	<CR>*standbymnt=on#<CR>	No
	Write	Standby Settings-Monitor Out off	<CR>*standbymnt=off#<CR>	No
	Read	Standby Settings-Monitor Out Status	<CR>*standbymnt=?#<CR>	No
Baud Rate	Write	2400	<CR>*baud=2400#<CR>	No
	Write	4800	<CR>*baud=4800#<CR>	No
	Write	9600	<CR>*baud=9600#<CR>	Yes
	Write	14400	<CR>*baud=14400#<CR>	Yes
	Write	19200	<CR>*baud=19200#<CR>	Yes
	Write	38400	<CR>*baud=38400#<CR>	Yes
	Write	57600	<CR>*baud=57600#<CR>	Yes
	Write	115200	<CR>*baud=115200#<CR>	Yes
	Read	Current Baud Rate	<CR>*baud=?#<CR>	Yes

Lamp Control	Read	Lamp Hour	<CR>*ltim=?#<CR>	Yes
	Read	Lamp2 Hour	<CR>*ltim2=?#<CR>	No
	Write	Normal mode	<CR>*lampm=lnor#<CR>	Yes
	Write	Eco mode	<CR>*lampm=eco#<CR>	Yes
	Write	SmartEco mode	<CR>*lampm=seco#<CR>	No
	Write	SmartEco mode 2	<CR>*lampm= seco2#<CR>	No
	Write	SmartEco mode 3	<CR>*lampm= seco3#<CR>	No
	Write	Dimming mode	<CR>*lampm=dimming#<CR>	No
	Write	Custom mode	<CR>*lampm=custom#<CR>	Yes
	Write	Light level for custom mode	<CR>*lampcustom=value#<CR>	Yes
	Read	Light level status for custom mode	<CR>*lampcustom=?#<CR>	Yes
	Write (dual lamp)	Dual Brightest	<CR>* lampm =dualbr#<CR>	No
	Write (dual lamp)	Dual Reliable	<CR>* lampm =dualre#<CR>	No
	Write (dual lamp)	Single Alternative	<CR>* lampm =single#<CR>	No
Write (dual lamp)	Single Alternative Eco	<CR>* lampm =singleeco#<CR>	No	
Read	Lamp Mode Status	<CR>*lampm=?#<CR>	Yes	
Miscellaneous	Read	Model Name	<CR>*modelname=?#<CR>	Yes
	Read	System F/W Version	<CR>*sysfwversion=?#<CR>	Yes
	Read	Scaler F/W Version	<CR>*scalerfwversion=?#<CR>	Yes
	Read	Format F/W Version	<CR>*formatfwversion=?#<CR>	No
	Read	Lan F/W Version	<CR>*lanfwversion=?#<CR>	Yes
	Read	MCU F/W Version	<CR>*mcufwversion=?#<CR>	Yes
	Read	Ballast F/W Version	<CR>*ballastfwversion=?#<CR>	No
	Write	Blank On	<CR>*blank=on#<CR>	Yes
	Write	Blank Off	<CR>*blank=off#<CR>	Yes
	Read	Blank Status	<CR>*blank=?#<CR>	Yes
	Write	Freeze On	<CR>*freeze=on#<CR>	Yes
	Write	Freeze Off	<CR>*freeze=off#<CR>	Yes

Read	Freeze Status	<CR>*freeze=?#<CR>	Yes
Write	Menu On	<CR>*menu=on#<CR>	Yes
Write	Menu Off	<CR>*menu=off#<CR>	Yes
Read	Menu Status	<CR>*menu=?#<CR>	Yes
Write	Up	<CR>*up#<CR>	Yes
Write	Down	<CR>*down#<CR>	Yes
Write	Right	<CR>*right#<CR>	Yes
Write	Left	<CR>*left#<CR>	Yes
Write	Enter	<CR>*enter#<CR>	Yes
Write	Back	<CR>*back#<CR>	Yes
Write	Source Menu On	<CR>*sourmenu=on#<CR>	Yes
Write	Source Menu Off	<CR>*sourmenu=off#<CR>	Yes
Read	Source Menu Status	<CR>*sourmenu=?#<CR>	Yes
Write	3D Sync Off	<CR>*3d=off#<CR>	Yes
Write	3D Auto	<CR>*3d=auto#<CR>	Yes
Write	3D Sync Top Bottom	<CR>*3d=tb#<CR>	Yes
Write	3D Sync Frame Sequential	<CR>*3d=fs#<CR>	Yes
Write	3D Frame packing	<CR>*3d=fp#<CR>	Yes
Write	3D Side by side	<CR>*3d=sbs#<CR>	Yes
Write	3D inverter disable	<CR>*3d=da#<CR>	Yes
Write	3D inverter	<CR>*3d=iv#<CR>	Yes
Write	2D to 3D	<CR>*3d=2d3d#<CR>	No
Write	3D nVIDIA	<CR>*3d=nvidia#<CR>	No
Read	3D Sync Status	<CR>*3d=?#<CR>	Yes
Write	Remote Receiver On	<CR>*rr=on#<CR>	No
Write	Remote Receiver Off	<CR>*rr=off#<CR>	No
Write	Remote Receiver-front+rear	<CR>*rr=fr#<CR>	No
Write	Remote Receiver-front	<CR>*rr=f#<CR>	No
Write	Remote Receiver-rear	<CR>*rr=r#<CR>	No
Write	Remote Receiver-top	<CR>*rr=t#<CR>	No
Write	Remote Receiver-top+front	<CR>*rr=tf#<CR>	No
Write	Remote Receiver-top+rear	<CR>*rr=tr#<CR>	No

	Read	Remote Receiver Status	<CR>*rr=?#<CR>	No
	Write	Instant On-on	<CR>*ins=on#<CR>	No
	Write	Instant On-off	<CR>*ins=off#<CR>	No
	Read	Instant On Status	<CR>*ins=?#<CR>	No
	Write	Lamp Saver Mode-on	<CR>*lpsaver=on#<CR>	No
	Write	Lamp Saver Mode-off	<CR>*lpsaver=off#<CR>	No
	Read	Lamp Saver Mode Status	<CR>*lpsaver=?#<CR>	No
	Write	Projection Log In Code on	<CR>*prjlogincode=on#<CR>	No
	Write	Projection Log In Code off	<CR>*prjlogincode=off#<CR>	No
	Read	Projection Log In Code Status	<CR>*prjlogincode=?#<CR>	No
	Write	Broadcasting on	<CR>*broadcasting=on#<CR>	No
	Write	Broadcasting off	<CR>*broadcasting=off#<CR>	No
	Read	Broadcasting Status	<CR>*broadcasting=?<CR>	No
	Write	AMX Device Discovery-on	<CR>*amxdd=on#<CR>	Yes
	Write	AMX Device Discovery-off	<CR>*amxdd=off#<CR>	Yes
	Read	AMX Device Discovery Status	<CR>*amxdd=?#<CR>	Yes
	Read	Mac Address	<CR>*macaddr=?#<CR>	Yes
	Read	Serial Number	<CR>*serialnumber=?#<CR>	Yes
	Write	High Altitude mode on	<CR>*Highaltitude=on#<CR>	Yes
	Write	High Altitude mode off	<CR>*Highaltitude=off#<CR>	Yes
Read	High Altitude mode status	<CR>*Highaltitude=?#<CR>	Yes	
Installation	Write	Load Lens memory 1	<CR>*lensload=m1#<CR>	No
	Write	Load Lens memory 2	<CR>*lensload=m2#<CR>	No
	Write	Load Lens memory 3	<CR>*lensload=m3#<CR>	No
	Write	Load Lens memory 4	<CR>*lensload=m4#<CR>	No
	Write	Load Lens memory 5	<CR>*lensload=m5#<CR>	No
	Write	Load Lens memory 6	<CR>*lensload=m6#<CR>	No
	Write	Load Lens memory 7	<CR>*lensload=m7#<CR>	No

	Write	Load Lens memory 8	<CR>*lensload=m8#<CR>	No
	Write	Load Lens memory 9	<CR>*lensload=m9#<CR>	No
	Write	Load Lens memory 10	<CR>*lensload=m10#<CR>	No
	Read	Read Lens memory status	<CR>*lensload=?#<CR>	No
	Write	save Lens memory 1	<CR>*lenssave=m1#<CR>	No
	Write	save Lens memory 2	<CR>*lenssave=m2#<CR>	No
	Write	save Lens memory 3	<CR>*lenssave=m3#<CR>	No
	Write	save Lens memory 4	<CR>*lenssave=m4#<CR>	No
	Write	save Lens memory 5	<CR>*lenssave=m5#<CR>	No
	Write	save Lens memory 6	<CR>*lenssave=m6#<CR>	No
	Write	save Lens memory 7	<CR>*lenssave=m7#<CR>	No
	Write	save Lens memory 8	<CR>*lenssave=m8#<CR>	No
	Write	save Lens memory 9	<CR>*lenssave=m9#<CR>	No
	Write	save Lens memory 10	<CR>*lenssave=m10#<CR>	No
Write	Reset Lens to center	<CR>*lensreset=center#<CR>	No	
Color Calibration	Write	Tint +	<CR>*tint=+#<CR>	Yes
	Write	Tint -	<CR>*tint=-#<CR>	Yes
	Write	Set Tint value	<CR>*tint=value#<CR>	Yes
	Read	Get Tint value	<CR>*tint=?#<CR>	Yes
	Write	Set gamma value	<CR>*gamma=value#<CR>	Yes
	Read	Gamma value status	<CR>*gamma=?#<CR>	Yes
	Write	Set HDR Brightness value	<CR>*hdrbri=value#<CR>	Yes
	Read	Get HDR Brightness value	<CR>*hdibri=?#<CR>	Yes
	Write	Red Gain +	<CR>*RGain=+#<CR>	Yes
	Write	Red Gain -	<CR>*RGain=-#<CR>	Yes
	Write	Set Red Gain value	<CR>*RGain=value#<CR>	Yes
	Read	Get Red Gain value	<CR>*RGain=?#<CR>	Yes
	Write	Green Gain +	<CR>*GGain=+#<CR>	Yes
	Write	Green Gain -	<CR>*GGain=-#<CR>	Yes
Write	Set Green Gain value	<CR>*GGain=value#<CR>	Yes	

Read	Get Green Gain value	<CR>*GGain=?#<CR>	Yes
Write	Blue Gain +	<CR>*BGain=+#<CR>	Yes
Write	Blue Gain -	<CR>*BGain=-#<CR>	Yes
Write	Set Blue Gain value	<CR>*BGain=value#<CR>	Yes
Read	Get Blue Gain value	<CR>*BGain=?#<CR>	Yes
Write	Red Offset +	<CR>*ROffset=+#<CR>	Yes
Write	Red Offset -	<CR>*ROffset=-#<CR>	Yes
Write	Set Red Offset value	<CR>*ROffset=value#<CR>	Yes
Read	Get Red Offset value	<CR>*ROffset=?#<CR>	Yes
Write	Green Offset +	<CR>*GOffset=+#<CR>	Yes
Write	Green Offset -	<CR>*GOffset=-#<CR>	Yes
Write	Set Green Offset value	<CR>*GOffset=value#<CR>	Yes
Read	Get Green Offset value	<CR>*GOffset=?#<CR>	Yes
Write	Blue Offset +	<CR>*BOffset=+#<CR>	Yes
Write	Blue Offset -	<CR>*BOffset=-#<CR>	Yes
Write	Set Blue Offset value	<CR>*BOffset=value#<CR>	Yes
Read	Get Blue Offset value	<CR>*BOffset=?#<CR>	Yes
Write	Primary Color	<CR>*primcr=value#<CR>	Yes
Read	Primary Color Status	<CR>*primcr=?#<CR>	Yes
Write	Hue +	<CR>*hue=+#<CR>	Yes
Write	Hue -	<CR>*hue=-#<CR>	Yes
Write	Set Hue value	<CR>*hue=value#<CR>	Yes
Read	Get Hue value	<CR>*hue=?#<CR>	Yes
Write	Saturation +	<CR>*saturation=+#<CR>	Yes
Write	Saturation -	<CR>*saturation=-#<CR>	Yes
Write	Set Saturation value	<CR>*saturation=value#<CR>	Yes
Read	Get Saturation value	<CR>*saturation=?#<CR>	Yes
Write	Gain +	<CR>*gain=+#<CR>	Yes
Write	Gain -	<CR>*gain=-#<CR>	Yes

	Write	Set Gain value	<CR>*gain=value#<CR>	Yes
	Read	Get Gain value	<CR>*gain=?#<CR>	Yes
	Write	Color Gamut Auto	<CR>*cgamut=auto#<CR>	No
	Write	Color Gamut BT.709	<CR>*cgamut=bt.709#<CR>	No
	Write	Color Gamut BT.2020	<CR>*cgamut=bt.2020#<CR>	No
	Write	Color Gamut DCI-P3	<CR>*cgamut=dcip3#<CR>	No
	Read	Color Gamut Value	<CR>*cgamut=?#<CR>	No
	Write	Dynamic Iris ON	<CR>*diris=on#<CR>	No
	Write	Dynamic Iris OFF	<CR>*diris=off#<CR>	No
	Read	Dynamic Iris status	<CR>*diris=?#<CR>	No
	Write	Color Calibration Save	<CR>*colorsave#<CR>	No
	Write	Color Calibration pattern display	<CR>*colorpattern=value#<CR>	No

Note: The above function will be varied from model to model.

FAQ Video

(1) How to use RS232 cable to do volume control and sound control on projector?

<https://youtu.be/P4F26kEv60U>

(2) How to use RS232 cable connection to power on & off projector?

<https://youtu.be/faGUvcDBmJE>

(3) How to set up RS232 cable connection?

<https://youtu.be/CYJRqyO6Klw>

(4) How to use RS232 command to request fan speed and temperature value?

<https://youtu.be/KBXEd-BCDKQ>

BenQ.com

© 2023 BenQ Corporation

All rights reserved. Rights of modification reserved.

Version: 1.01-C