

# SONY



## A new star is born SRX-T423

Sony's brightest projector, ideal in large-scale venues

When only the brightest projector will do, choose Sony's professional 4K resolution (4096 x 2160) SXRD™ projection system. The SRX-T423 delivers:

- 23,000 center lumens; up to 30,000 in high brightness mode
- More than double the light efficiency of competitive 3D systems, with 40,000 lumens of 3D brightness as dual-projection system
- A contrast ratio of 3,000:1
- Installation flexibility for large-scale entertainment, auditorium and lecture hall, simulation, theme park, museum, and planetarium applications
- Reduced maintenance – lenses can be switched from SRX-T100/T400 Series projectors
- A vertical tilt angle of +/- 30 degrees is ideal for dome projection

**4K** **SXRD**

**ProSelecta**

View :: Compare :: Select - [www.ProSelecta.com](http://www.ProSelecta.com)

## SPECIFICATIONS

System	
Resolution	4096 x 2160
Display device	3 x 1.55 inch 4K SXRD
Brightness (Average)	23,000 Center lumens with factory default configuration 30,000 Center lumens with High Brightness Mode configuration *1
Contrast ratio (Average)	3,000:1
Lamp	1 x 4.2kW Xenon lamp
Video Input	Up to 4K 60p (color depth depends on I/F board) 1 x LKRI-005 equipped and remaining 3 slots are open as standard
Color space	sRGB   DCIM with factory default configuration Sony unique color space with High Brightness Mode configuration
Color temperature	6500K   DCI White Point   3 memories for customizing
Gamma	Preset : 2.2, 2.6 User defined (0.01 step, 1.80-2.60)
Adjustment range of lamp power	50%~100% (1% step)
Interface (control)	D-sub 9-pin : RS-232C (female) x1 RJ-45 : 10BASE-T/100BASE-T x1
Projector Control	SRX-C (Windows® software)
Image Flip	Horizontal   Vertical   Horizontal & Vertical

\*1 Sony unique brightness enhancement mode.

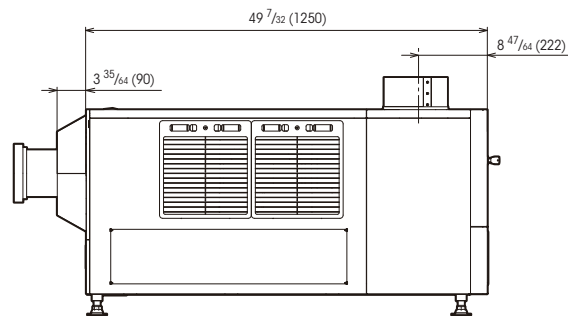
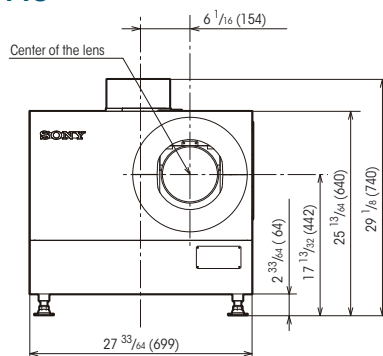
General	
Dimensions *1 (W x H x D)	27.6 x 25.2 x 49.2 inch 700 x 640 x 1250 mm
Weight	Approx. 399 lb / 181 kg
Power requirement	AC 200 to 240V, 50-60Hz, Single-phase, 28A to 23.4A
Power consumption	Max. approx. 5.6kW
Exhaust airflow	450-550 CFM   12.7~15.6m³/min
Operating Temperature	41°F to 95°F (5°C to 35°C)
Operating Humidity	35% to 85% (no condensation)
Storage Temperature	12°F to 140°F (-20°C to +60°C)
Storage Humidity	10 to 90%
Tilt angle	-30 to +30 degree

\*1 It includes adjustable feet and excludes projecting parts of the unit such as status light and chimney.

Safety Regulations	
VCCI Class A, UL 60950-1, FCC/IC Class A Digital Device, CSA C22.2 No.60950-1, EN 60950-1, EN 50371, EN 55022 Class A + EN 55024, EN 61000-3-11 + EN 61000-3-12, AS/NZS CISPR22 (EN 55022) Class A, IEC 60950-1	

Supplied Accessories	
High Brightness Mode Filter (1) Ethernet cable (cross cable : 1-830-803-12) (1) Lens cover (1set) M8 screws for lens mounting (4) Keys for removing panels (4) Operating instructions (1)	

## DIMENSIONS



Unit: inches (mm)

## OPTIONAL ACCESSORIES

### 2D Lens

	LKRL-Z211	LKRL-Z214
Throw Ratio	1.05-1.75	1.35-2.40
V shift	+/- 35%	+/- 50%
H shift	+/- 11%	+/- 18%
Dimensions	W187 x H222 x D451 mm	W187 x H222 x D455 mm
Mass	11.0kg	11.0kg

	LKRL-Z219	LKRL-Z140
Throw Ratio	1.85-4.00	3.81-7.12
V shift	+/- 50%	+/- 50%
H shift	+/- 18%	+/- 5%
Dimensions	W187 x H222 x D381 mm	W190 x H222 x D415 mm
Mass	9.0kg	11.0kg

### 3D Lens

	LKRL-A002	LKRL-A003
Throw Ratio	1.10-1.90	1.90-4.00
V shift	+0% /-50%	+0% /-50%
H shift	+/- 0%	+/- 0%
Attached 3D filter	LKRA-005	LKRA-005
Dimensions	W190 x H310 x D545 mm	W190 x H310 x D562 mm
Mass	11.0kg	11.0kg

### Video Input Board

	Input Terminal	Resolution	Frame rate
LKRI-003	Dual-link HD-SDI	Up to 2048 x 1080	Up to 60 Hz progressive
LKRI-005	DVI	Up to 2048 x 1080	Up to 60 Hz progressive
LKRI-006	HDMI	Up to 2048 x 1080	Up to 60 Hz progressive

### Lamp

	LKRX-2042A
Maximum wattage	4.2 kW
Recommended replacement time	600 hours
Dimensions	ø80 x 334 mm
Mass	800 g

©2014 Sony Corporation. All rights reserved.  
Reproduction in whole or in part without written permission is prohibited.  
Features and specifications are subject to change without notice.  
The values for mass and dimension are approximate.  
"SONY" and "SXRD" are trademarks of Sony Corporation.  
All other trademarks are the property of their respective owners.