

DIGITAL PROJECTOR | SU922



Features

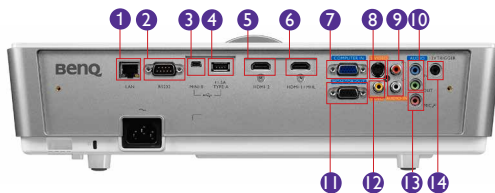
- Native WUXGA (1920X1200) resolution
- 5,000 ANSI lumens
- 3,000:1 high contrast ratio
- Vertical lens shift
- Big 1.6x zoom
- Easy installation and control



Specifications

Projection System	DLP®
Native Resolution	WUXGA (1920X1200)
Brightness	5,000 AL
Contrast Ratio	3,000:1
Display Color	1.07 Billion Colors
Lens	F=2.45~3.07, f=15.78 ~ 25.12
Aspect Ratio	Native 16:10 (5 aspect ratio selectable)
Throw Ratio	1.07~1.71
Image Size (Diagonal)	60"~240"
Zoom Ratio	1.6X
Lamp Type	370W
Lamp (Normal/Economic Mode)*	2000/2500 hours
Keystone Adjustment	2D, Vertical & Horizontal ± 30 degrees
Projection Offset	102.5% ±2.5%
Lens Shift	Vertical: +2.5%
Resolution Support	VGA(640 x 480) to UXGA(1600 x 1200)
Horizontal Frequency	15K~102KHz
Vertical Scan Rate	24~120Hz
Compatibility	HDTV Compatibility: 480i, 480p, 576i, 576p, 720p, 1080i, 1080p Video Compatibility: NTSC, PAL, SECAM
Interface	Computer in (D-sub 15pin) x 1 (Share with component) Monitor out (D-sub 15pin) x 1 Composite Video in (RCA) x 1 S-Video in (Mini DIN 4pin) x 1 HDMI x 2 (One with MHL) Audio in (Mini Jack) x 1 Audio L/R in (RCA) x 1 Audio out (Mini Jack) x 1 Speaker 20W LAN (RJ45) x 1 (LAN control) USB (Type Mini-B) x 1 (Download) USB (Type A) x 1 (5V/ 1.5A Power Supply) RS232 (DB-9pin) x 1 DC 12V Trigger x 1 IR Receiver x 2
Dimensions (WxHxD)	16.1" x 4.6" x 10.5" / 411.4x118.4x267.5 mm
Weight	10.8 lbs / 4.9kgs
Power Supply	AC100 to 240 V, 50 to 60 Hz
Power Consumption	Typical 490W, Network standby <6W, Standby power <0.5W
Power Management Function	Automatic power off after 20 minutes without a display source.
Audible Noise	36/33 dBA (Normal/Economic mode)
Languages	(28 Languages)
Picture Mode	Bright/Presentation/sRGB/Cinema/(3D)/User 1/User 2
Accessories (Standard)	Remote Control w/ Battery, Power Cord, User Manual CD, Quick Start Guide, Warranty Card, VGA(D-sub 15pin) Cable
Accessories (Optional)	Spare Lamp Kit P/N: 5J.JDP05.001 Ceiling Mount P/N: 5J.JAM10.001 3D Glasses P/N: 5J.J9H25.001 QP01 P/N: 5J.JCK28.A01
UPC / Part #	8400460-3267-8 / 9H.JDS77.15A
Limited Warranty	3 Years Parts/Labor; 1 Year or 2,000 hours of lamp life

Input and Output Terminals



- | | |
|-----------------------------|------------------------------|
| 1 LAN (RJ45) | 8 S-Video in (Mini DIN 4pin) |
| 2 RS232 (DB-9pin) | 9 Audio L/R in (RCA) |
| 3 USB (Type Mini B) | 10 Audio in/out (Mini Jack) |
| 4 USB (Type A) | 11 Monitor out (D-sub 15pin) |
| 5 HDMI-2 | 12 Composite Video in (RCA) |
| 6 HDMI-1 / MHL | 13 MIC |
| 7 Computer in (D-sub 15pin) | 14 12V Trigger |

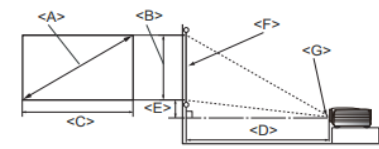
*Lamp life results will vary depending on environmental conditions and usage. Actual product's features and specifications are subject to change without notice.



SU922 Digital Projector

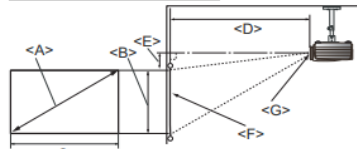
Distance Chart

Floor Installation



<F>: Screen <G>: Center of lens

Ceiling Installation

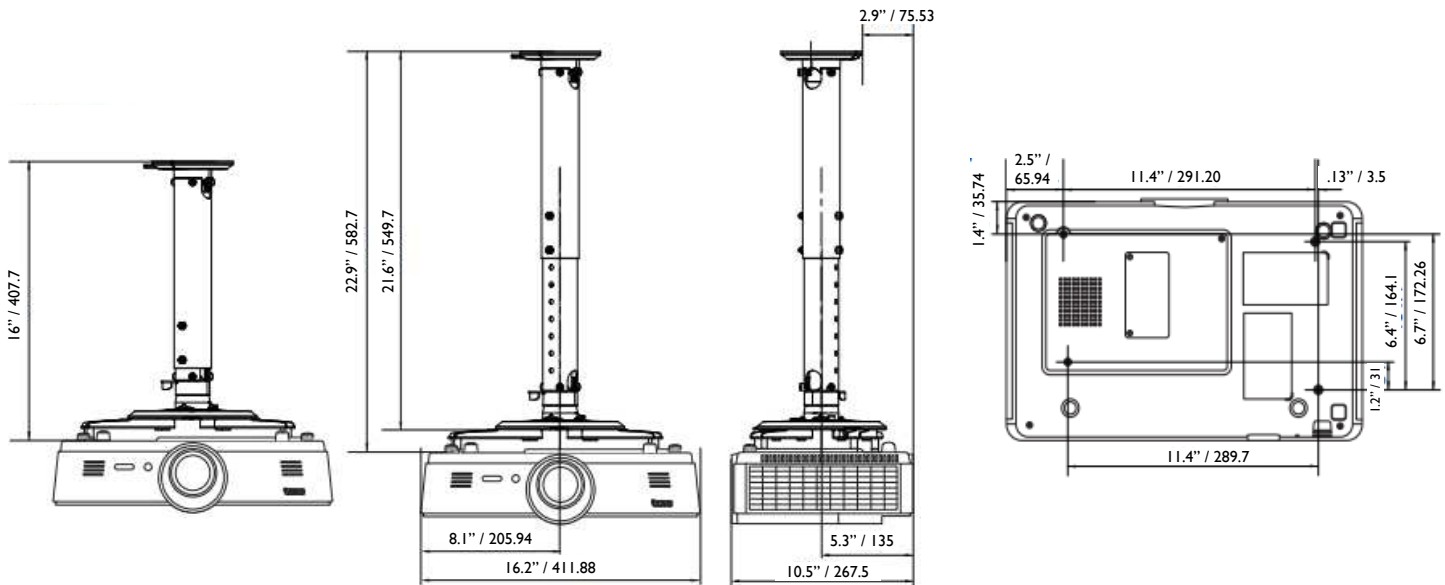


<F>: Screen <G>: Center of lens

Diagonal		Screen Size		Projection Distance <D> (inch/mm)			Lowest/Highest lens position <E> (inch/mm)
Inch	mm	Height (inch/mm)	Height <C> (inch/mm)	Min distance	Average	Max distance	
60	1524	32 / 810	51 / 1290	54.7 / 1390	70.8 / 1800	87.0 / 2210	1.57 / 40
70	1778	37 / 940	60 / 1510	63.7 / 1620	82.6 / 2100	101.5 / 2580	1.85 / 47
80	2032	42 / 1080	68 / 1720	72.8 / 1850	94.4 / 2400	116.1 / 2950	2.12 / 54
90	2286	47 / 1210	76 / 1940	81.8 / 2080	106.2 / 2700	130.7 / 3320	2.40 / 61
100	2540	53 / 1350	84 / 2150	90.9 / 2310	118.1 / 3000	145.2 / 3690	2.6 / 67
110	2794	58 / 1480	93 / 2370	100.0 / 2540	129.9 / 3300	159.8 / 4060	2.9 / 74
120	3048	63 / 1610	102 / 2590	109.1 / 2770	141.7 / 3600	174.0 / 4420	3.18 / 81
130	3302	68 / 1750	110 / 2800	118.1 / 3000	153.5 / 3900	188.5 / 4790	3.46 / 88
140	3556	74 / 1890	118 / 3020	127.2 / 3230	165.3 / 4200	203.1 / 5160	3.7 / 94
150	3810	79 / 2020	127 / 3230	136.2 / 3460	177.1 / 4500	217.7 / 5530	3.97 / 101
160	4064	84 / 2150	135 / 3450	145.2 / 3690	188.5 / 4790	232.2 / 5900	4.25 / 108
170	4318	90 / 2290	144 / 3660	154.3 / 3920	200.3 / 5090	246.8 / 6270	4.48 / 114
180	4572	95 / 2420	152 / 3880	163.3 / 4150	212.2 / 5390	261.0 / 6630	4.76 / 121
190	4826	101 / 2560	161 / 4090	172.4 / 4380	224.0 / 5690	275.5 / 7000	5.03 / 128
200	5080	106 / 2690	169 / 4310	181.4 / 4610	235.8 / 5990	290.1 / 7370	5.31 / 135
240	6096	127 / 3230	203 / 5170	218.1 / 5540	283.0 / 7190	348.0 / 8840	6.37 / 162

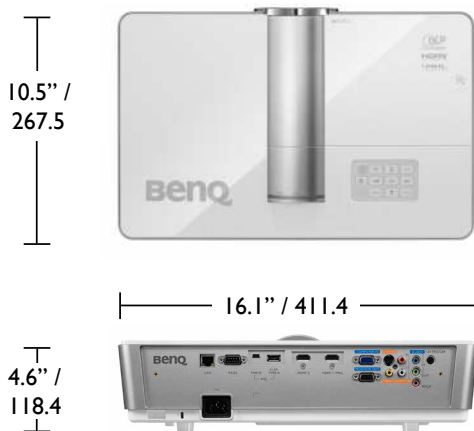
Ceiling Mount Chart

Units: inch / mm



Ceiling Mount Chart

Units: inch / mm



Because it matters