



Model Name **MH856USTi Digital Projector**

Unique selling point **Trade Mark**

- * Ultra short throw with 1080p image quality
- * Interactive Pen and Fingers
- * Dual HDMI port. Support MHL.
- * Optional PointWrite interactive capability
- * Cornor fit adjustment
- * Wall mount bundle



Projection System	DLP	
Native Resolution	1080p(1920*1080)	
Brightness	3500AL	
Contrast Ratio	10,000:1	
Display Color	1.07 Billion Colors	
Lens	F2.5,f=5.1mm	
Aspect Ratio	Native 16:9 (6 aspect ratio selectable)	
Throw Ratio	0.33	
Clear Image Size/Max Image size	88.9"~110/300"	
Zoom Ratio	Fix	
Lamp Type	280W	
Lamp(Normal/Economic/SmartEco Mode)*	3000/4000/7000 hours	
Keystone Adjustment	2D, Vertical/Horizontal +/- 30 degrees	
Projection Offset	150%(±5%)	
Resolution Support	VGA(640 x 480) to UXGA(1600 x 1200)	
Horizontal Frequency	15~102KHz	
Vertical Scan Rate	23~120Hz	
Compatibility	HDTV Compatibility	480i, 480p, 576i, 576p, 720p, 1080i, 1080p
	Video Compatibility	NTSC, PAL, SECAM
Interface	Computer in (D-sub 15pin)	x 2(Shared with component)
	Monitor out (D-sub 15pin)	x 1
	Composite Video in (RCA)	x 1
	S-Video in (Mini DIN 4pin)	x 1
	HDMI/MHL	x 2(HDMI 1 with MHL)
	Audio in (Mini Jack)	x 1
	Audio out (Mini Jack)	x 1
	Audio L/R	x 1
	Speaker	10W x 2
	USB (Type mini B)	x 1 (PointWrite interactive module)
	USB (Type B)	x1 (FW download)
	USB(Type A)	x1 (5V 2A Power for PT02 Touch module)
	RJ45	x1 (LAN control)
	RS232 (DB-9pin)	x 1
	IR Receiver	x1 (Front)

Dimensions	Dimensions(W x H x D)	373.3*287.5*130.2mm (w/o Mirror) 373.3*287.5*201mm(w Mirror)
-------------------	-----------------------	---

	Weight	5KG(w/o wall mount)
--	--------	---------------------

Power	Power Supply	AC100 to 240 V, 50 to 60 Hz
	Power Consumption	typical 380W, stanby power <0.5W

Audible Noise	37/33 dBA (Normal/Economic mode)
----------------------	----------------------------------

On-Screen Display Languages	Arabic/Bulgarian/ Croatian/ Czech/ Danish/ Dutch/ English/ Finnish/ French/ German/ Greek/ Hindi/ Hungarian/ Italian/ Indonesian/ Japanese/ Korean/ Norwegian/ Polish/ Portuguese/ Romanian/ Russian/ Simplified Chinese/Spanish/ Swedish/ Turkish/ Thai/ Traditional Chinese (28 Languages)
------------------------------------	--

Accessories	Standard	Optional
	Remote Control w/ Battery	RCS011 Spare Lamp Kit
	Power Cord (by region)	2.9M Wall Mount WM04G4
	User Manual CD	*1 3D Glasses DGD24
	Quick Start Guide	*1 Document Camera S30
	Warranty Card (by region)	*1 PointWrite kit PW01U
	VGA(D-sub 15pin) Cable	*1 PointWrite Touch module PT02
	Wall mount kit (installation guide)	*1

*Lamp life results will vary depending on environmental conditions and usage. Actual product's features and specifications are subject to change without notice.



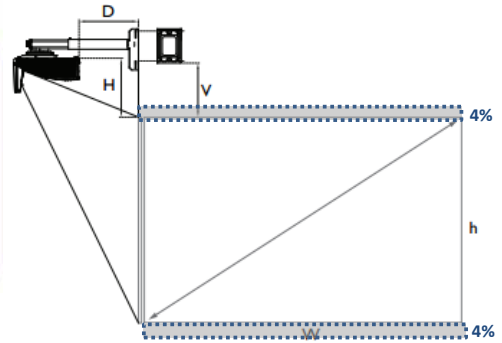
MH856UST Digital Projector

Distance Chart

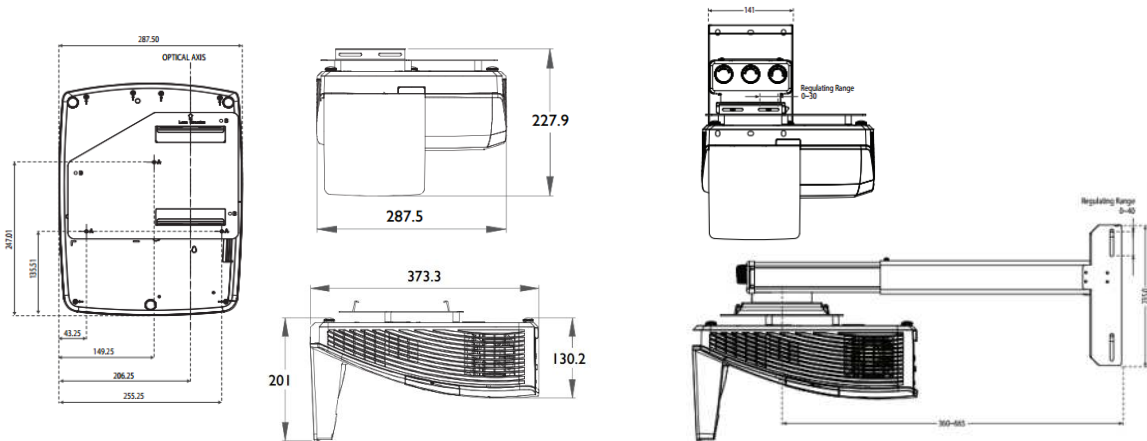
MH856UST

The screen aspect ratio is 16:9 and the projected picture is 16:9.

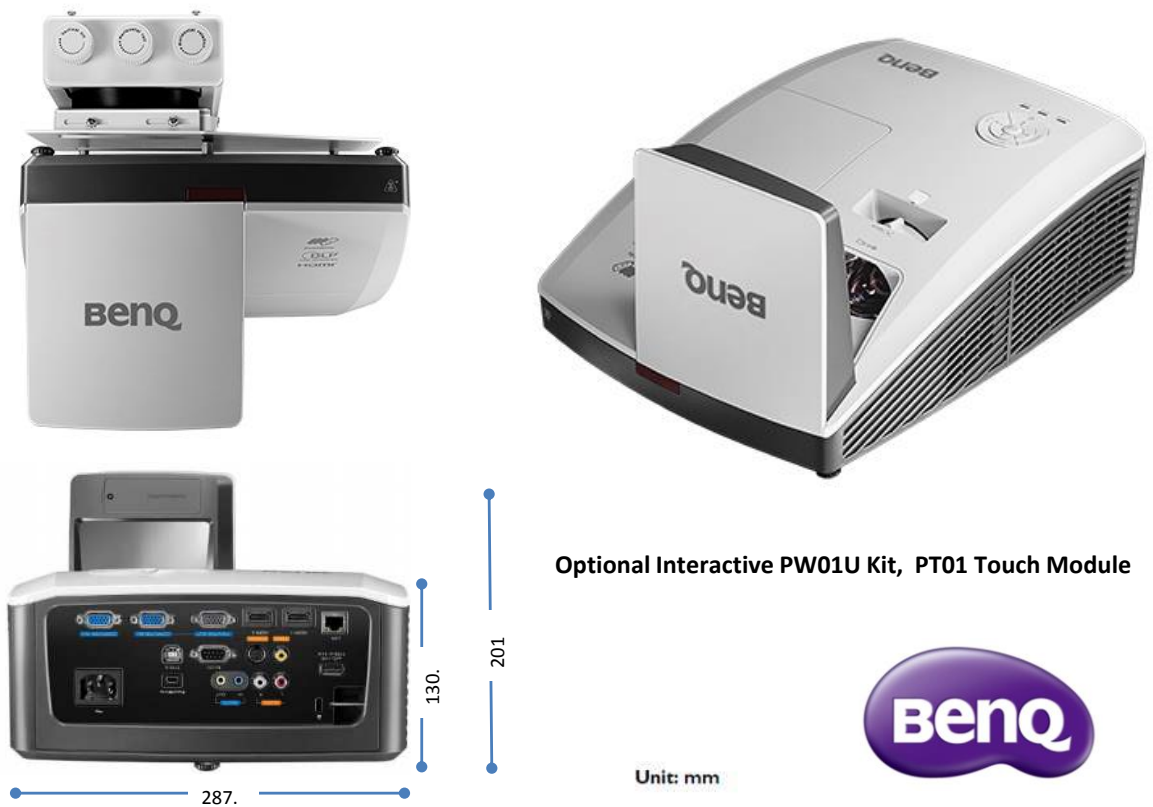
1080P										
Screen size (Diagonal)		Screen width (W)		Screen height (H)		Projection distance (D)		Offset (H)		Distance between Wall plate & projection screen (V)
inch	mm	inch	mm	inch	mm	inch	mm	inch	mm	V
89	2258	77.5	1968	43.6	1107	13.40	340.3	13.04	331.2	273
90	2286	78.4	1991	44.1	1120	13.73	348.8	13.17	334.5	277
95	2413	82.8	2103	46.6	1183	15.35	389.8	13.80	350.5	294
97	2464	84.5	2148	47.6	1208	15.98	405.8	14.04	356.7	300
100	2540	87.1	2213	49	1245	16.94	430.3	14.42	366.2	309
102	2594	89.1	2262	50.1	1272	17.65	448.3	14.70	373.3	319



Wall mount/Ceiling mount Chart



Dimension



Optional Interactive PW01U Kit, PT01 Touch Module

Unit: mm





BenQ Scalable Interactive System

BenQ PointWrite interactive projectors turn any surface into an interactive whiteboard by utilizing an innovative infrared technology to detect transmitter light emitted from the PointWrite Pen or touch module that enable the camera to detect the finger or object movements. This allows teachers to invite students up to the board to make notes, answer questions, or collaborate on digital paintings, sparking creativity, imagination and lots of fun. Easy to set up and flexible to use, these education projectors make a cost-efficient and affordable option for every classroom.

Key features

- Compatible with series BenQ short throw and ultra-short throw projector
- Supports up to 4 pens/fingers
- Dual screen touch for ultra wide working space.
- Effortless setup with only 1 second auto calibration*
- An ultra-fast 0.016-second response time for a smooth writing experience

*Calibration speed may vary depending on computer system.



PW01U Kit

Scalable dual screen and finger touch



PT01 touch module

