

# D100 Series Projectors

Wireless desktop  
projectors for effortless  
presentations: easy to  
use with low running  
costs



**SONY**

## WXGA and XGA wireless desktop projectors with 2600-3200 lumens brightness



Make your point effectively with these portable business projectors that deliver crisp, bright presentations. With the added attraction of low running costs and wireless connectivity, they're ideal for smaller businesses and corporates alike.

VPL-DX122/DX127 XGA resolution with 2600 lumens  
VPL-DX142/DX147 XGA resolution with 3200 lumens  
VPL-DW122/DW127 WXGA resolution with 2600 lumens

Sony D100 Series desktop projectors offer an ideal blend of portability, wireless connectivity, environmentally friendly features and low running costs. Weighing just 2.5kg, they're easy to carry from room to room. Quick to set up and refreshingly simple to use, they're ideal presentation partners for small to medium-sized meeting spaces and boardrooms.

The DX122/DX127 and DX142/DX147 offer XGA resolution with a maximum colour light output of 2600 and 3200 lumens respectively. The DW122/DW127 offer even greater WXGA resolution for detail-packed presentations with a maximum colour output of 2600 lumens.

Sony BrightEra™ panel technology assures clear, high contrast pictures in virtually any conditions. Three brightness modes tailor light levels to suit different presentation requirements, from bright daylight to darkened meeting rooms. There's also a choice of Picture Modes to optimise viewing with any source, whether you're projecting videos, PC documents or websites.

Wireless connectivity comes as standard (DX127, DX147, DW127 models), giving the freedom to present directly from a PC, Mac, smartphone or tablet with no wires to slow you down. Alternatively, connect to local office networks or slip in a USB drive (DX127, DX147, DW127) for effortless 'PC-free' presentations.

Running costs are reduced thanks to a wide range of smart energy-saving features. And with extended lamp life up to 10,000 hours, downtime and maintenance costs are minimised further.

## Other Features

### Up to 10,000 hours lamp life for less maintenance and down time

Longer lamp life and reduced maintenance contribute directly to lower lifetime ownership costs. Filter cleaning cycles are synchronised with lamp replacement, cutting scheduled maintenance visits even further.

### Save energy at the touch of a button

Easily select power-saving Eco Modes with a single button push; additional Eco settings are easily accessible via intuitive menus.

### Picture Mute (Instant Off/On)

Touch a button on the projector remote and the picture's muted instantly – cutting power consumption down to 30% and saving lamp hours. Another touch and the projector's instantly powered back up to resume your presentation. There's also a separate button to mute audio only.

### Auto Dimming

Projector brightness is gradually reduced automatically if there's no input signal, or after a pre-set time – cutting power consumption and saving energy bills.

### Off and Go

Switch off and unplug at the end of your presentation, then move on to your next meeting while the projector is still cooling down without damage to the lamp.

### Direct Power On/Off

There's no need to go through Standby mode when powering up the projector: the projector activates as soon as power is supplied.

### Picture Freeze

Picture Freeze is useful during presentations where users need to look at other material on their PC's screen without the viewing audience being aware. Freeze the current image and users can use their PC independently of the display from the projector.

### Security that's built in

Your investment's protected with security measures including password protection, panel key lock, mechanical security lock and anti-theft bar.

## Optional Accessories

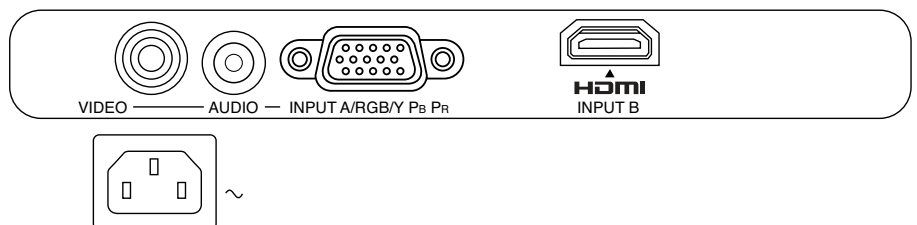
### LMP-D213

Replacement Projector Lamp

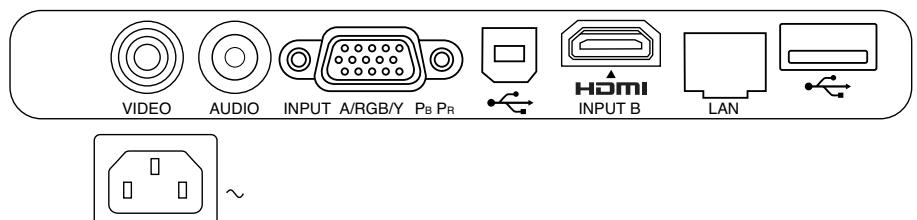


## Connector Panels

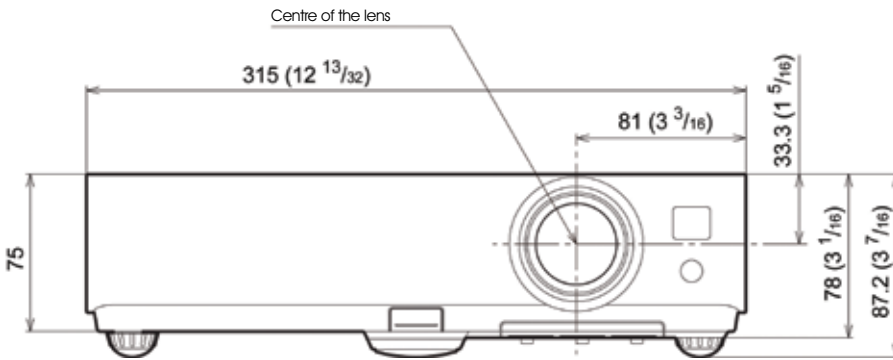
### Rear connector panel for VPL-DX122, VPL-DX142 and VPL-DW122 projectors



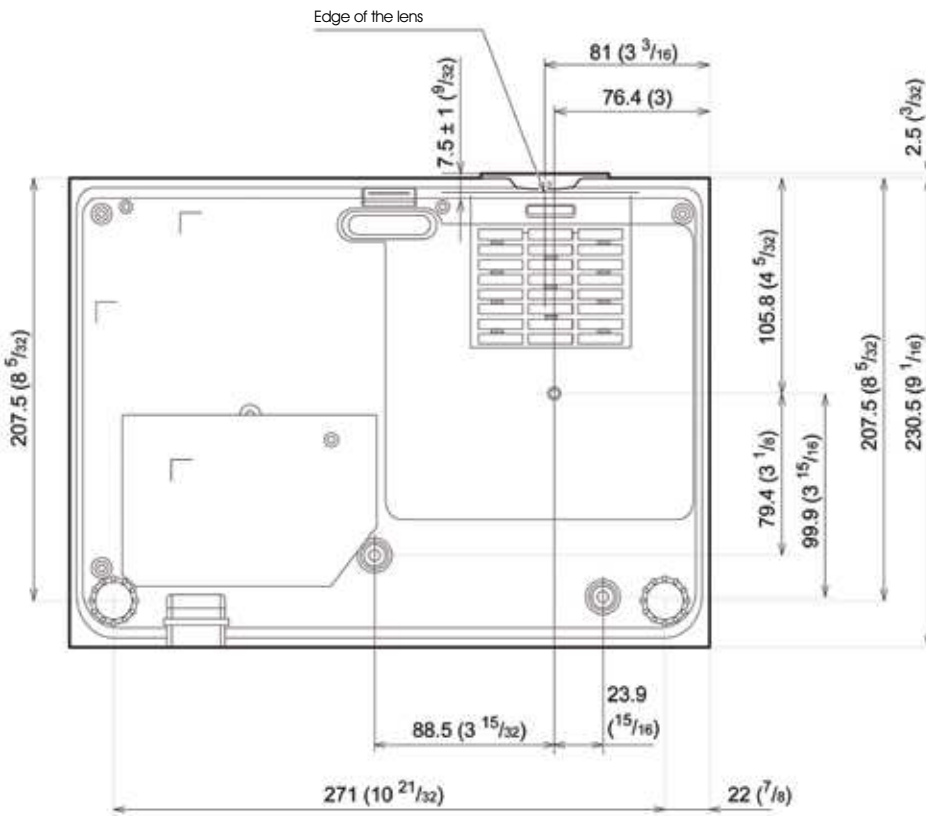
### Rear connector panel for VPL-DX127, VPL-DX147 and VPL-DW127 projectors



Front Dimensions for the D100 Series projectors



Bottom Dimensions for the D100 Series projectors



All Sony Professional's Desk Top (D100 Series) business projectors sold into the EU, Norway and Switzerland come supplied with a 2 year projector and 1 year lamp/1000 hour lamp cover PrimeSupport pack. This offers unique services and benefits over and above standard warranty:-

2 Year Projector and 1 Year Lamp/1000 Hour PrimeSupport Cover Freephone telephone helpdesk support (00800 7898 7898) in 5 languages. Collection, repair and return anywhere in EU, Norway and Switzerland.

In addition, optional PrimeSupport Plus packs can be purchased which can further enhance the 2 year support to give extra peace of mind:-

- A 1 year extension of the standard 2 year PrimeSupport to give long-term assurance of expert support, technical assistance and repairs for 3 years from purchase date.
- A 3 year extension of the standard 2 year PrimeSupport to give long-term assurance of expert support, technical assistance and repairs for 5 years from purchase date.
- Cover for a lamp failure throughout the 3 year PrimeSupport term for customers who don't want to have any unexpected running costs.

## Key Features

### Clear, bright images

Easily view clear presentations in any small to mid-sized meeting room or boardroom. All models offer a choice of three brightness modes to suit any environment, from bright daylight to darkened rooms.

### XGA/WXGA resolution for crisply detailed presentations

The native XGA (1024 x 768) 4:3 resolution panel of the DX122/DX127 and DX142/DX147 offers plenty of clear detail: perfect for making presentations direct from a laptop, PC or mobile device. The DW122/DW127 features an even higher resolution WXGA (1280 x 800) 16:10 panel for detail-packed presentations that really stand out.

### 3LCD BrightEra™ Technology

The efficient 3LCD panel system is enhanced by advanced BrightEra™ technology by Sony. You'll see the difference with impressively bright, high resolution images and increased panel reliability.

### Generous throw ratio adjustment

The versatile throw ratio adjustment range (depends on model) accommodates simple setup in most room sizes.

### Six Picture Modes to suit any subject

A choice of six picture modes (Dynamic, Standard, Game, Blackboard, Cinema and Presentation) offers optimised picture quality with any source material. Picture modes can be combined with three brightness modes (High, Standard, Low) to suit virtually any presentation requirement.

### Vertical Keystone Adjustment

Even if the projector is aligned too high or too low in relation to the screen, keystone adjustment electronically adjusts the projected image for an accurately-proportioned picture with true verticals.

### Smart APA (Auto Pixel Alignment)

Phase, Pitch and Shift values are automatically optimised when using the projector with a PC source.

## Networked and Wireless Features

### Present wirelessly from mobile devices (DX127, DX147, DW127)

The supplied IFU-WLM3 USB Wi-Fi module allows easy cable-free connection from your PC or Mac. Download the Pixelworks VueMagic Pro app and make wireless presentations direct from your iOS or Android handheld devices.

### Deliver presentation via the network (DX127, DX147, DW127)

It's easy to project presentations from a network-connected PC, either wirelessly or via a LAN cable. Projector functions and status can also be monitored and managed remotely from any PC on the network.

### View image files straight from USB (DX127, DX147, DW127)

Slip in a USB drive to effortlessly display photos, images and graphics with no PC needed.



 **BrightEra™**



## Specifications

		VPL-DX122/DX127 XGA		VPL-DX142/DX147 XGA		VPL-DW122/DW127	
Display system		3 LCD system					
Display device	Size of effective display area	0.63" (16 mm) x 3, BrightEra, Aspect ratio: 4:3		0.63" (16 mm) x 3, BrightEra, Aspect ratio: 4:3		0.59" (15 mm) x 3, BrightEra, Aspect ratio: 16:10	
	Number of pixels	2,359,296 (1024 x 768 x 3) pixels		2,359,296 (1024 x 768 x 3) pixels		3,072,000 (1280 x 800 x 3) pixels	
Projection lens	Zoom (Manual)	x1.2		x1.3			
	Throw Ratio	1.47 to 1.77		1.37 to 1.80		1.36 to 1.77	
	Focus	Manual					
	Digital Zoom	x4					
	Light source	High-pressure mercury lamp 210 W type					
	Recommended lamp replacement time*1	3000 H / 5000 H / 10000 H (Lamp mode: High / Standard / Low)					
	Filter cleaning cycle	Max. 1000 Hours (low mode)					
	Screen size	30" to 300" (0.762M to 7.62m) Diagonal					
	Light output (Lamp mode: High / Standard / Low)	2600 lm / 1900 lm / 1700 lm		3200 lm / 2300 lm / 1900 lm		2600 lm / 1900 lm / 1500 lm	
	Colour light output	2600 lm / 1900 lm / 1700 lm		3200 lm / 2300 lm / 1900 lm		2600 lm / 1900 lm / 1500 lm	
Contrast ratio (full white / full black)	3000:1						
Acoustic Noise (Lamp mode: High / Standard / Low)	41 dB / 38 dB / 35 dB						
Speaker	1 W x 1 (monaural)						
Displayable scanning frequency	Horizontal	19 kHz to 92kHz					
	Vertical	48 Hz to 92 Hz					
Display resolution	Computer signal input	Maximum input signal resolution: UXGA 1600 x 1200 (resizing display), Panel display resolution: 1024 x 768 pixels (VPL-DX122, VPL-DX127, VPL-DX142 and DX147), 1280x800 pixels (VPL-DW122 and VPL-DW127)					
	Video signal input	Video (composite), 480/60i, 576/50i, 480/60p, 576/50p, 720/60p, 720/50p, 1080/60i, 1080/50i, Digital signals via HDMI input are 1080/60p, 1080/50p					
	Color system	NTSC3.58, PAL, SECAM, NTSC4.43, PAL-M, PAL-N					
	Keystone correction	Vertical: Max. +/- 30 degrees					
OSD language	23-language (English, French, German, Italian, Spanish, Portuguese, Japanese, Chinese (简·繁), Korean, Russian, Dutch, Norwegian, Swedish, Thai, Arabic, Turkish, Polish, Vietnamese, Farsi, Finnish, Indonesian, Hungary)						
Computer and video signal input/output	INPUT A	RGB / Y PB PR input connector: Mini D-sub 15-pin (female), Audio: Stereo mini jack / Shared with Video In					
	INPUT B	HDMI (Digital RGB/Y Pb Pr, Digital Audio) HDCP Support					
	VIDEO IN	Video input connector: Pin Jack, Audio: Stereo mini jack / Shared with Input A					
	LAN	RJ-45 10 BASE-T/100 BASE-TX (VPL-DX127 only)	RJ-45 10 BASE-T/100 BASE-TX (VPL-DX147 only)	RJ-45 10 BASE-T/100 BASE-TX (VPL-DW127 only)			
USB	TYPE A, TYPE B (VPL-DX127 only)		TYPE A, TYPE B (VPL-DX147 only)		TYPE A, TYPE B (VPL-DW127 only)		
Operating temperature (Operating humidity)	-10°C to +60°C / 14°F to +140°F (20% to 80%; no condensation)						
Storage temperature (Storage humidity)	-20°C to +60°C / +4°F to +140°F (20% to 80% no condensation)						
Power requirements	AC 100 V to 240 V, 2.9 A - 1.2A 50Hz /60Hz	AC 100 to 240V, 3.0A - 1.2A 50Hz/60Hz	AC 100 V to 240 V, 2.9 A - 1.2A 50Hz/60Hz	AC 100 - 240V, 3.0A - 1.2A 50Hz/60Hz	AC 100 V to 240 V, 2.9 A - 1.2A 50 Hz/60Hz	AC 100 - 240V, 3.0A - 1.2A 50Hz/60Hz	
Power consumption	AC 100 V to 120 V (Lamp mode: High / Standard / Low)	289 W / 220 W / 200 W	297 W / 221 W / 200 W	290 W / 220 W / 200 W	298 W / 221 W / 200 W	288 W / 220 W / 200 W	301 W / 224 W / 200 W
	AC 220 V to 240 V (Lamp mode: High / Standard / Low)	278 W / 215 W / 190 W	285 W / 212 W / 190 W	277 W / 210 W / 190 W	286 W / 212 W / 190 W	275 W / 215 W / 190 W	287 W / 213 W / 190 W
Standby mode power consumption	AC 100 V to 120 V (Standard / Low)	< 5.9 W / < 0.5 W					
	AC 220 V to 240 V (Standard / Low)	< 5.9 W / < 0.5 W					
Heat dissipation	AC 100 V to 120 V	985 BTU	1011BTU	987 BTU	1014BTU	980 BTU	1024BTU
	AC 220 V to 240 V	946 BTU	970BTU	943 BTU	973BTU	936 BTU	977BTU
Standard outside dimensions	W 315 x H 87.2 x D 233 mm W 315 x H 75 x D 230.5 mm (without protrusion)						
Mass	2.5kg / 5lb 7oz						
Supplied Accessories	AC Power Cord Remote Commander RM-PJ8 (1) CR2025, Lithium Battery (1) Mini D-sub 15-pin cable (1) Lens Cap (1) Operating Instructions (1) WEEE, EU Battery Info, Service Documentation Quick Reference Manual (1) Carrying Case Wireless LAN Module IFU-WLM3 (1) - DX127, DX147 and DW127 models only						
Optional Accessories	LMP-D213, Replacement Projector Lamp PAM-200, Mounting Bracket						