



# Model Name **WI300 Projector**

## Unique selling point

- \* Blu-ray Full HD 3D support
- \* Big zoom ratio: 1.5x
- \* Len shift support
- \* ISFccc
- \* SmartEco

## Trade Mark



<b>Projection System</b>	DLP
<b>Native Resolution</b>	1080p (1920 x 1080)
<b>Brightness</b>	2000 ANSI Lumen
<b>Contrast Ratio</b>	10000:1
<b>Display Color</b>	1.07 Billion Colors
<b>Lens</b>	F=2.42-2.97, f=20.7-31.05mm
<b>Aspect Ratio</b>	Native 16:9 (5 aspect ratio selectable)
<b>Throw Ratio</b>	1.39~2.09 (65"±3% @ 2m)
<b>Image Size (Diagonal)</b>	26" ~ 300"
<b>Zoom Ratio</b>	1.5x
<b>Lamp Type</b>	240W
<b>Lamp(Normal/Economic/SmartEco Mode)*</b>	3500/5000/6000 hours
<b>Keystone Adjustment</b>	ID, Vertical +/- 40 degrees
<b>Lens Shift</b>	Vertical: 120%~148% ±5%
<b>Resolution Support</b>	VGA(640 x 480) to UXGA(1600 x 1200)
<b>Horizontal Frequency</b>	15K-102KHz
<b>Vertical Scan Rate</b>	23-120Hz

<b>Compatibility</b>	HDTV Compatibility	480i, 480p, 576i, 576p, 720p, 1080i, 1080p
	Video Compatibility	NTSC, PAL, SECAM
	3D Compatibility	Frame Sequential: Up to 60Hz 720p
	(Please refer to User Manual for detailed support timing.)	Frame Packing: Up to 24 Hz 1080p
		Side by Side: Up to 24Hz 1080p
		Top Bottom: Up to 60Hz 1080p

<b>Interface</b>	Computer in (D-sub 15pin)	x 1
	HDMI	x 2
	Composite Video in (RCA)	x 1
	Component video in	x 1
	Audio in (Mini Jack)	x 1
	Audio in (L/R)	x1
	Audio out (Mini Jack)	x 1
	Speaker	10W x 1
	USB (Type mini B)	x 1 (Download & page/down)
	DC 12V Trigger (3.5mm Jack)	x 1
	RS232 (DB-9pin)	x 1
	IR Receiver	x2 (Front+Top)

<b>Dimensions</b>	Dimensions(W x H x D)	330 x 128 x 257mm
	Weight	3.4kg(7.5lbs)

<b>Power</b>	Power Supply	AC100 to 240V, 3.5A, 50 to 60 Hz
	Power Consumption	290W(typical), Standby<0.5W

<b>Audible Noise</b>	33/30 dBA (Normal/Economic mode)
----------------------	----------------------------------

<b>On-Screen Display Languages</b>	Arabic/Bulgarian/ Croatian/ Czech/ Danish/ Dutch/ English/ Finnish/ French/ German/ Greek/ Hindi/ Hungarian/ Italian/ Indonesian/ Japanese/ Korean/ Norwegian/ Polish/ Portuguese/ Romanian/ Russian/ Simplified Chinese/Spanish/ Swedish/ Turkish/ Thai/ Traditional Chinese (28 Languages)
------------------------------------	----------------------------------------------------------------------------------------------------------------------------------------------------------------------------------------------------------------------------------------------------------------------------------------------

<b>Picture Modes</b>	ISF Disabled: Dynamic(Standard)/Cinema/User 1 / User 2 ISF Enabled: Dynamic/Standard/Cinema/User 1/User 2/ (ISF Night)/ ISF Day 3D Enabled: (3D) / User3
----------------------	-------------------------------------------------------------------------------------------------------------------------------------------------------------------------

<b>Accessories</b>	<b>Standard</b>	<b>Optional</b>
	Power Cord (by region)	Warranty Card (by region)
	Remote Control w Battery	Carry Bag
	User Manual CD	QSG
	Lens Cover	3D Glasses
		3D Glasses
		VGA cable(**)
		Ceiling mount kit
		Spare Lamp Kit

\*Lamp life results will vary depending on environmental conditions and usage. Actual product's features and specifications are subject to change without notice.

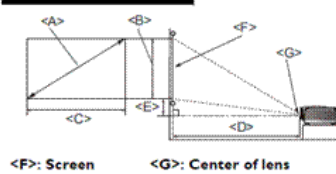
\*\* E sku doesn't have VGA cable in standard accessory.

# WI300 Projector

## Distance Chart

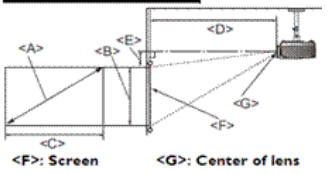
Screen dimensions			Projection distance <D> [mm]			st lens position <E> [m]	
Diagonal <A> [inch(mm)]	Height <B> [mm]	Width <C> [mm]	Min distance (with max)	avg	Min distance (with min)	(min.)	(max.)
26 (659)	323	574	—	—	1200	32	78
30 (762)	374	664	923	1156	1388	37	90
40 (1016)	498	886	1231	1541	1851	50	120
50 (1270)	623	1107	1539	1926	2313	62	149
60 (1524)	747	1328	1846	2311	2776	75	179
70 (1778)	872	1550	2154	2696	3239	87	209
80 (2032)	996	1771	2462	3082	3701	100	239
90 (2286)	1121	1992	2769	3467	4164	112	269
100 (2540)	1245	2214	3077	3852	4627	125	299
110 (2794)	1370	2435	3385	4237	5090	137	329
120 (3048)	1494	2657	3693	4622	5552	149	359
130 (3302)	1619	2878	4000	5008	6015	162	389
140 (3556)	1743	3099	4308	5393	6478	174	418
150 (3810)	1868	3321	4616	5778	6940	187	448
160 (4064)	1992	3542	4923	6163	7403	199	478
170 (4318)	2117	3763	5231	6548	7866	212	508
180 (4572)	2241	3985	5539	6934	8328	224	538
190 (4826)	2366	4206	5847	7319	8791	237	568
200 (5080)	2491	4428	6154	7704	9254	249	598
250 (6350)	3113	5535	7693	9630	11567	311	747
300 (7620)	3736	6641	9232	11556	13881	374	897
325 (8254)	4047	7194	10000	—	—	405	971

### Floor Installation



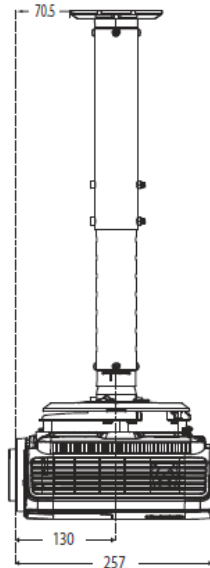
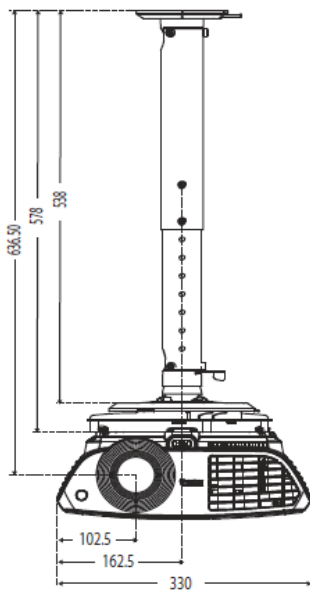
<F>: Screen      <G>: Center of lens

### Ceiling Installation



<F>: Screen      <G>: Center of lens

## Ceiling mount Chart



Unit: mm

## Dimension



Unit: mm

