

DIGITAL
PROJECTOR

MX505

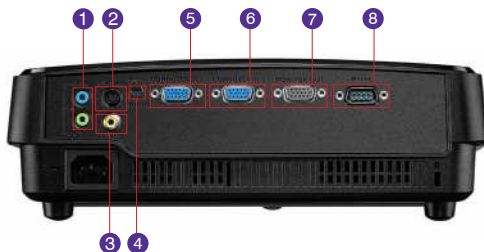


Features

- Native XGA (1024x768) Resolution
- 3,000 ANSI Lumens; 13,000:1 Contrast Ratio
- Up to 10,000 Hours Long Lamp Life
- SmartEco™ Power Saving Technology
- PC 3D-Ready



Input and Output Terminals



- | | |
|----------------------------|-----------------------------|
| 1 Audio In/Out (Mini Jack) | 5 Computer-2 (D-sub 15pin) |
| 2 S-Video (Mini DIN 4-pin) | 6 Computer-1 (D-sub 15pin) |
| 3 Video Out (RCA Jack) | 7 Monitor Out (D-sub 15pin) |
| 4 USB (Type mini B) | 8 RS232 (DB-9pin) |

Specifications

Projection System	DLP®
Native Resolution	XGA(1024x768)
Brightness	3,000 ANSI lumens
Contrast Ratio	13,000:1
Display Color	1.07 Billion Colors
Lens	F=2.56-2.8, f=21-23.1mm
Aspect Ratio	Native 4:3 (5 aspect ratio selectable)
Throw Ratio	1.86-2.04 (53" @2m)
Image Size Diagonal	35"~300"
Zoom Ratio	1.1:1
Lamp Type	190W
Normal/Eco/SmartEco/SmartEco Lamp Care)	4500/6000/6500/10000 hours
Keystone Adjustment	1D, Vertical +/- 40 degrees
Projection Offset	120% ±5%
Resolution Support	VGA(640 x 480) to UXGA(1600 x 1200)
Horizontal Frequency	31~102KHz
Vertical Scan Rate	23~120Hz
Compatibility	HDTV Compatibility: 480i, 480p, 576i, 576p, 720p, 1080i, 1080p
Interface	Video Compatibility: NTSC, PAL, SECAM Computer in (D-sub 15pin) x 2 (Share with component) Monitor out (D-sub 15pin) x 1 Composite Video in (RCA) x 1 S-Video in (Mini DIN 4pin) x 1 Audio in (Mini Jack) x 1 Audio out (Mini Jack) x 1 Speaker 2W x 1 USB (Type mini B) x 1 (Download & page/down) RS232 (DB-9pin) x 1 IR Receiver x 1 (Front)
Dimensions (WxHxD)	11.1" x 3.7" x 8.7" (w/ feet)
Weight	3.96lbs (1.8kg)
Power Supply	AC100 to 240 V, 50 to 60 Hz
Power Consumption	270W(Normal), 220W (Eco), Standby<0.5W"
Audible Noise	33/28 dBA (Normal/Economic mode)
On-Screen Display Languages	Arabic/Bulgarian/ Croatian/ Czech/ Danish/ Dutch/ English/ Finnish/ French/ German/ Greek/ Hindi/ Hungarian/ Italian/ Indonesian/ Japanese/ Korean/ Norwegian/ Polish/ Portuguese/ Romanian/ Russian/ Simplified Chinese/Spanish/ Swedish/ Turkish/ Thai/ Traditional Chinese (28 Languages)
Picture Mode	Dynamic/Presentation/sRGB/Cinema/User 1/User 2
Accessories (Standard)	Remote Control w/ Battery, Power Cord, Quick Start Guide, Warranty Card, VGA (D-sub 15 pin) Cable
Accessories (Optional)	Spare Lamp Kit P/N: 5J.J9R05.001 Ceiling Mount P/N: 5J.J4N10.001 3D Glasses P/N: 5J.J7K25.001 Carry Bag P/N: 5J.J4R09.001
UPC Code / Part #	8400460-2856-5 / 9H.J9577.13A
Limited Warranty	1 Year Parts & Labor / 1 Year or 2000 Hours of Lamp Life

*Lamp life results will vary depending on environmental conditions and usage. Actual product's features and specifications are subject to change without notice.



MX505 09-19-13-BQus

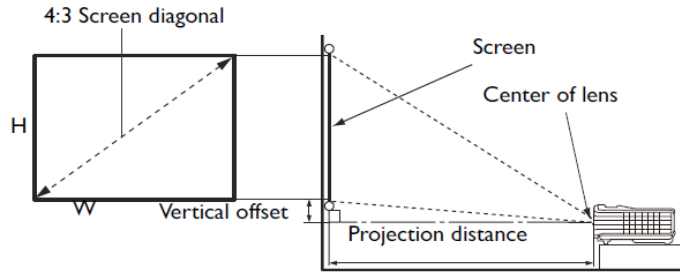


ProSelecta

View :: Compare :: Select - www.ProSelecta.com

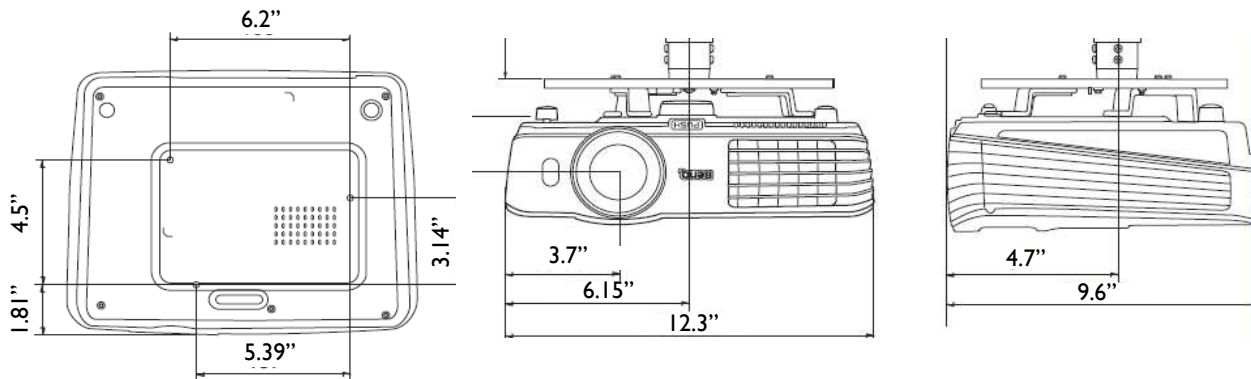
MX505 Digital Projector

Distance Chart



Screen Size				Distance from screen (inch)			Vertical offset (inch)
Diagonal		W (inch)	H (inch)	Min length	Average	Min length	
Inch	mm			Max zoom		Max zoom	
30	762	24	18	44.6	46.8	49.1	1.81
40	1016	32	24	59.4	62.4	65.3	2.4
50	1270	40	30	74.3	77.9	81.6	2.9
60	1524	48	36	89.1	93.5	98.1	3.6
80	2032	64	48	118.8	124.8	130.7	4.8
100	2540	80	60	148.5	155.9	163.4	5.9
120	3048	96	72	178.2	187.2	196.1	7.2
150	3810	120	90	222.8	233.9	245.1	9.0
200	5080	160	120	297.1	312.0	326.8	12.0
220	5588	176	132	326.8	343.2	359.5	13.2
250	6350	200	150	371.4	390.1	408.5	15.0
300	7620	240	180	445.7	467.9	490.2	17.9

Ceiling Mount Chart



Units: inch

Dimensions

