



MX815ST Digital Projector

Highlights

- Short Throw
- Designed for Education
- Long Lamp Life with SmartECO
- High Contrast Ratio
- LAN control

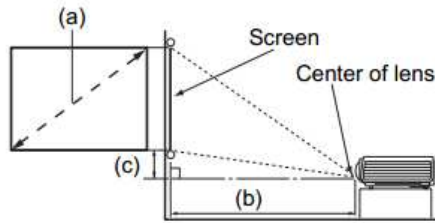


Projection System	DLP®	
Native Resolution	XGA(1024 x 768)	
Brightness	2700 ANSI lumens	
Contrast Ratio	13000 : 1	
Display Color	1.07 Billion Colors	
Lens	F=2.6, f=6.9mm	
Aspect Ratio	Native 4:3 (5 aspect ratio selectable)	
Throw Ratio	0.61 (78"@0.96m)	
Image Size (Diagonal)	40~300"	
Zoom Ratio	Fixed	
Lamp Type	210W	
Lamp (Normal/Eco/SmartEco)*	4000/5000/6500 hours	
Keystone Adjustment	1D, Vertical ±40 degrees	
Projection Offset	130% ±5%	
Resolution Support	VGA(640 x 480) to UXGA(1600 x 1200)	
Horizontal Frequency	31K~102KHz	
Vertical Scan Rate	23~120Hz	
Compatibility	HDTV Compatibility	480i, 480p, 576i, 576p, 720p, 1080i, 1080p
	Video Compatibility	NTSC, PAL, SECAM
	3D Compatibility	PC: 120Hz Frame Sequential 3D for resolutions up to WXGA, PC: 60Hz Top-bottom 3D for resolutions up to SXGA+ Video: 60Hz Frame Sequential 3D for resolutions up to 480i
Interface	Computer in (D-sub 15pin)	x 2 (Share with component video)
	Monitor out (D-sub 15pin)	x 1
	HDMI (v1.3)	x 1
	Composite Video in (RCA)	x 1
	S-Video in (Mini DIN 4pin)	x 1
	Audio in (Mini Jack)	x 2
	Audio L/R in (RCA)	x 1
	Audio out (Mini Jack)	x 1
	Speaker	10W x 1
	LAN (RJ45)	x 1
	USB (Mini B)	x1 (Download & page up/down)
	RS232 (DB-9pin)	x 1
	IR Receiver	x2
Dimensions	Dimensions(W x H x D)	287.3x114.4x232.6mm
	Weight	2.8kg (6.2lbs)
Power	Power Supply	AC 100 to 240 V, 50/60 Hz
	Power Consumption	270W, Standby<1W
Audible Noise	34/27 dBA (Normal/Economic mode)	
On-Screen Display Languages	Arabic/Bulgarian/ Croatian/ Czech/ Danish/ Dutch/ English/ Finnish/ French/ German/ Greek/ Hindi/ Hungarian/ Italian/ Indonesian/ Japanese/ Korean/ Norwegian/ Polish/ Portuguese/ Romanian/ Russian/ Simplified Chinese/Spanish/ Swedish/ Turkish/ Thai/ Traditional Chinese (28 Languages)	
Picture Modes	Dynamic/Presentation/sRGB/Cinema/User 1/User 2	
Accessories	Standard	Optional
	Remote Control w/ Battery	Carry Bag
	Power Cord (by region)	Spare Lamp Kit
	User Manual CD/Quick Start Guide	3D Glasses
	Warranty Card (by region)	Ceiling Mount
	VGA(D-sub 15pin) Cable	Wall Mount 0.6 T/R

*Lamp life results will vary depending on environmental conditions and usage. Actual product's features and specifications are subject to change without notice.



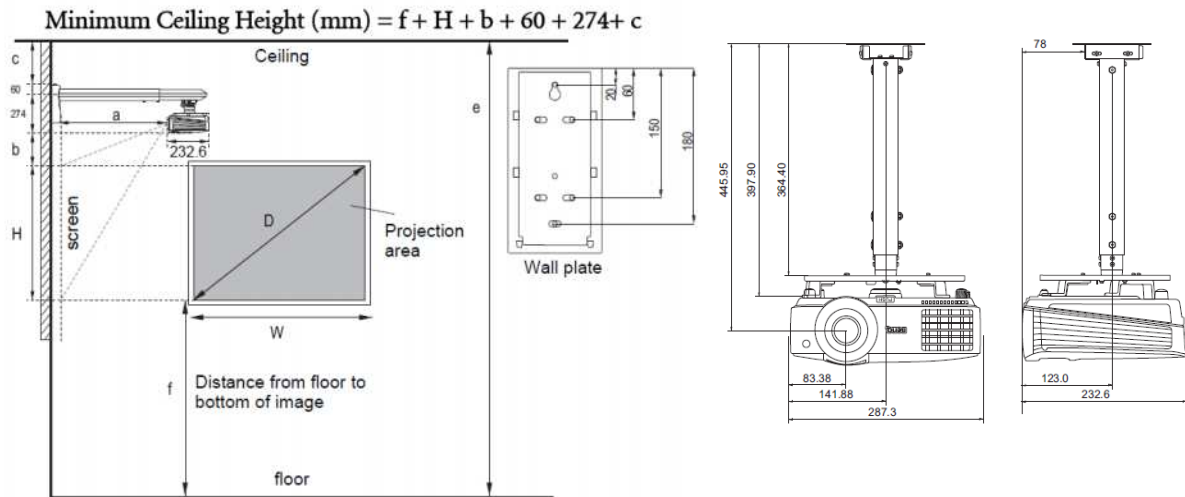
Distance Chart



The screen aspect ratio is 4:3 and the projected picture is 4:3

(a) Screen size				(b) Distance from screen (mm)	(c) Vertical offset (mm)
Diagonal		Height (mm)	Width (mm)		
Inches	mm				
80	2032	1219	1626	988	183
100	2540	1524	2032	1235	229
120	3048	1829	2438	1481	274
150	3810	2286	3048	1852	343
180	4572	2743	3658	2222	411
200	5080	3048	4064	2469	457
220	5588	3353	4470	2716	503
240	6096	3658	4877	2963	549
270	6858	4115	5486	3333	617
300	7620	4572	6096	3704	686

Ceiling mount Chart



Dimension

